



US00D478914S

(12) **United States Design Patent**
Wong

(10) **Patent No.:** **US D478,914 S**

(45) **Date of Patent:** **** Aug. 26, 2003**

(54) **MINI AIR COMPRESSOR**

(76) **Inventor:** **Paul Wai Kan Wong**, 31-39 Wo Tong
Tsui St., Rm 503-505, Kwai Chung,
New Territories (HK)

(**) **Term:** **14 Years**

(21) **Appl. No.:** **29/154,607**

(22) **Filed:** **Jan. 25, 2002**

(30) **Foreign Application Priority Data**

Sep. 21, 2001 (GB) 2104983

(51) **LOC (7) Cl.** **15-02**

(52) **U.S. Cl.** **D15/9**

(58) **Field of Search** D15/7-9; D3/30.1,
D3/74; 417/234, 235; D9/423; D10/40

(56) **References Cited**

U.S. PATENT DOCUMENTS

D375,962 S * 11/1996 Wong D15/9
D388,798 S * 1/1998 Kan D15/9

D394,440 S * 5/1998 Chen D15/9
D398,011 S * 9/1998 Wang D15/9
D406,150 S * 2/1999 Wang D15/9
D413,123 S * 8/1999 Leonhard et al. D15/7
D418,522 S * 1/2000 Angel D15/7
D425,913 S * 5/2000 Bonzer D15/7

* cited by examiner

Primary Examiner—Ralf Seifert

(74) *Attorney, Agent, or Firm*—Sierra Patent Group, Ltd.

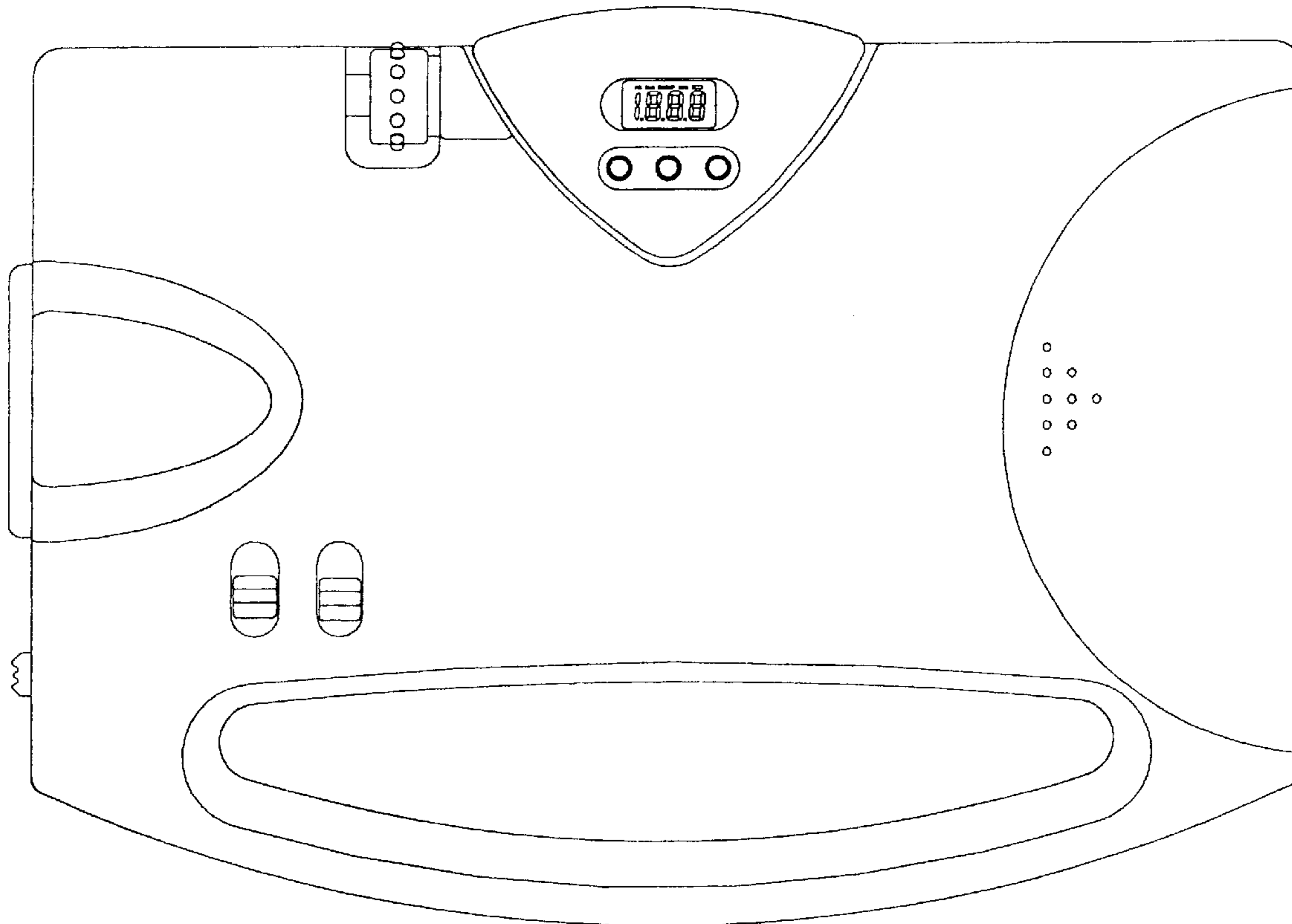
(57) **CLAIM**

The ornamental design for a mini air compressor, as shown and described.

DESCRIPTION

FIG. 1 is a frontal view of a mini air compressor.
FIG. 2 is a rear view of a mini air compressor.
FIG. 3 is a side view of a mini air compressor.
FIG. 4 is an opposing side view of FIG. 3.
FIG. 5 is a bottom view of a mini air compressor; and,
FIG. 6 is a top view of a mini air compressor.

1 Claim, 6 Drawing Sheets



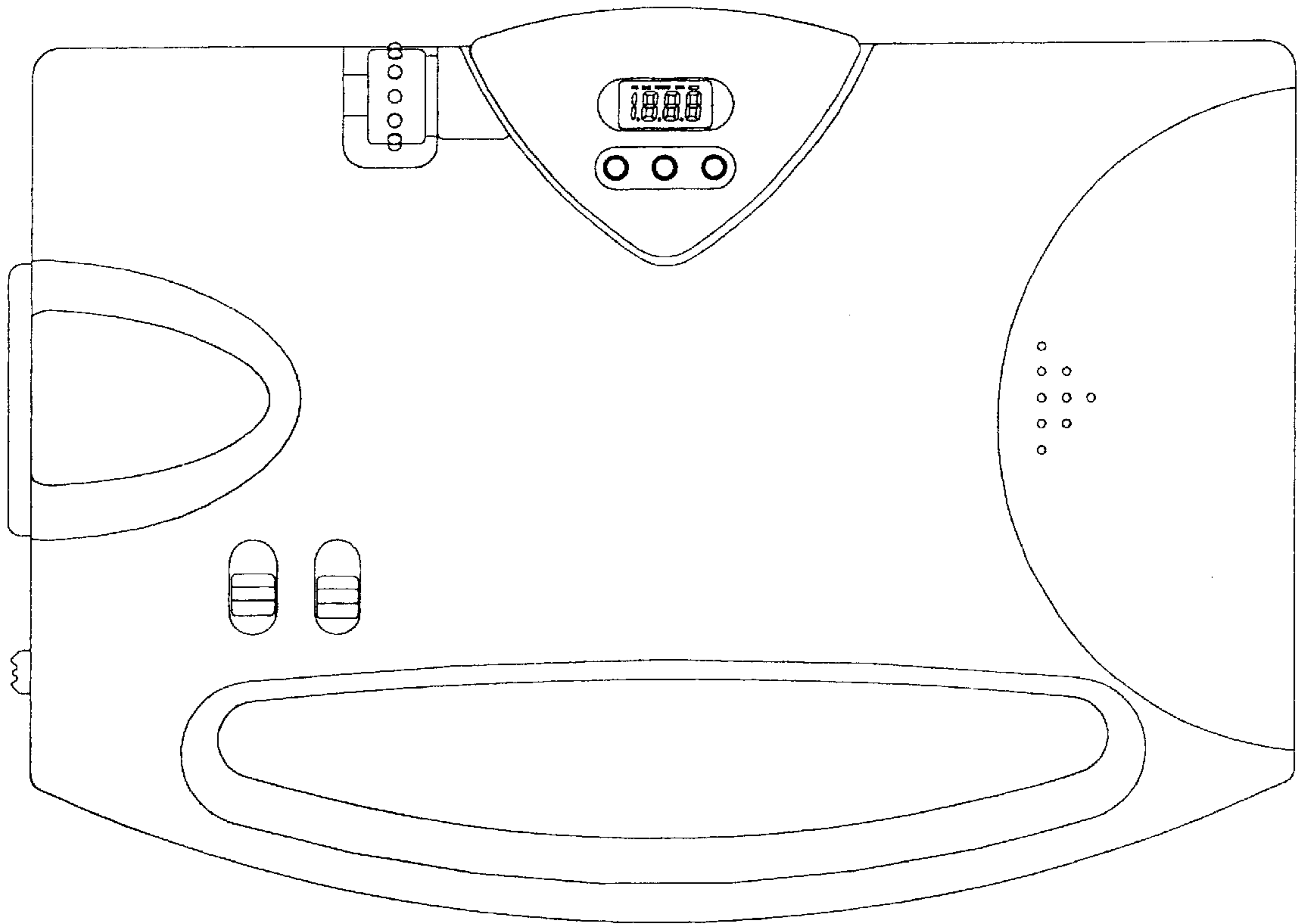


FIG. 1

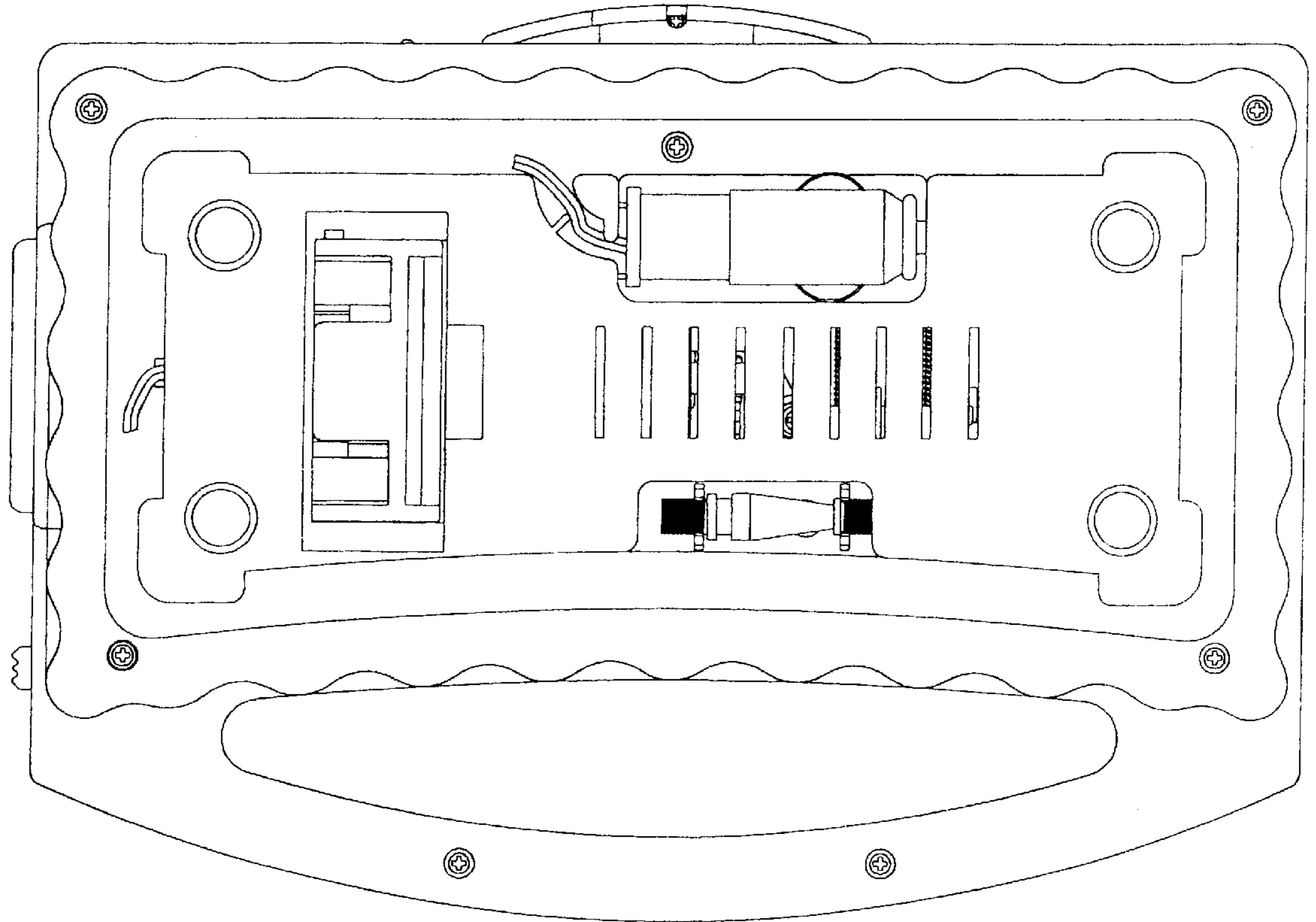


FIG. 2

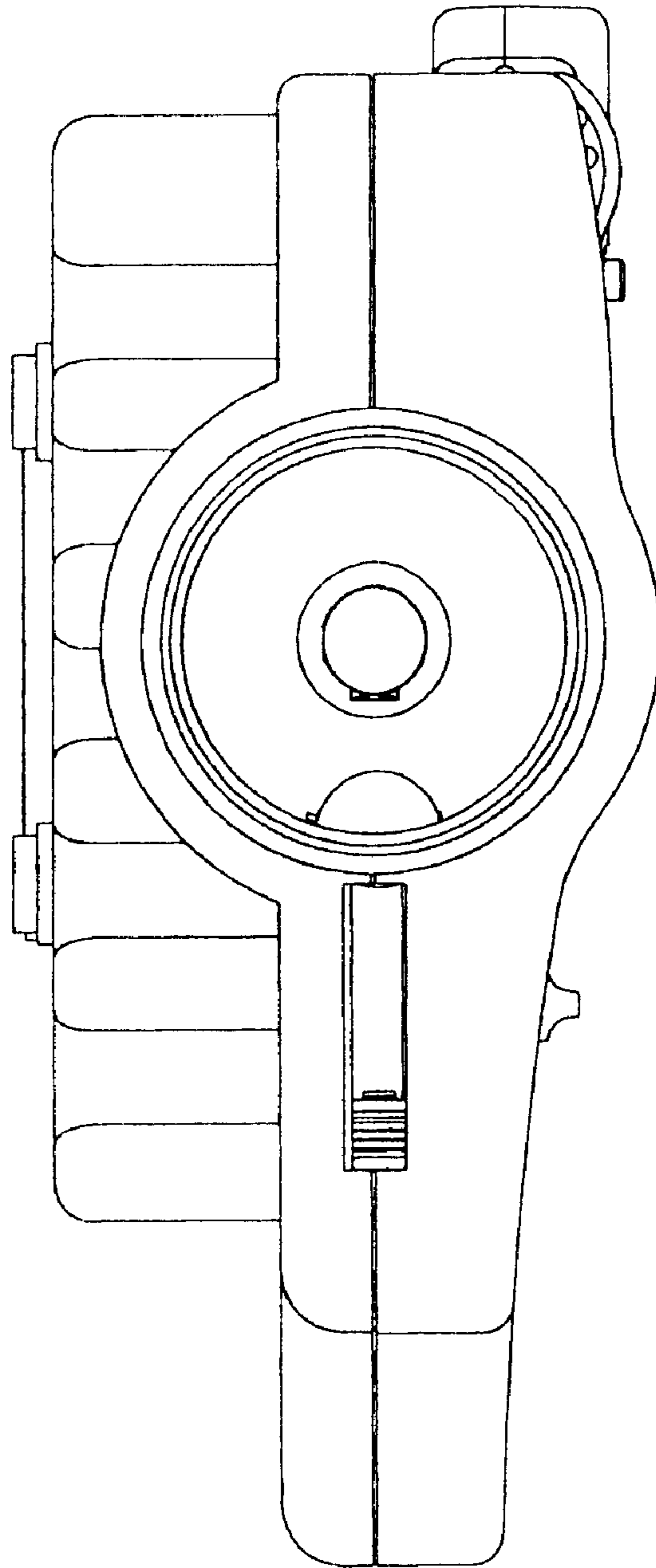


FIG. 3

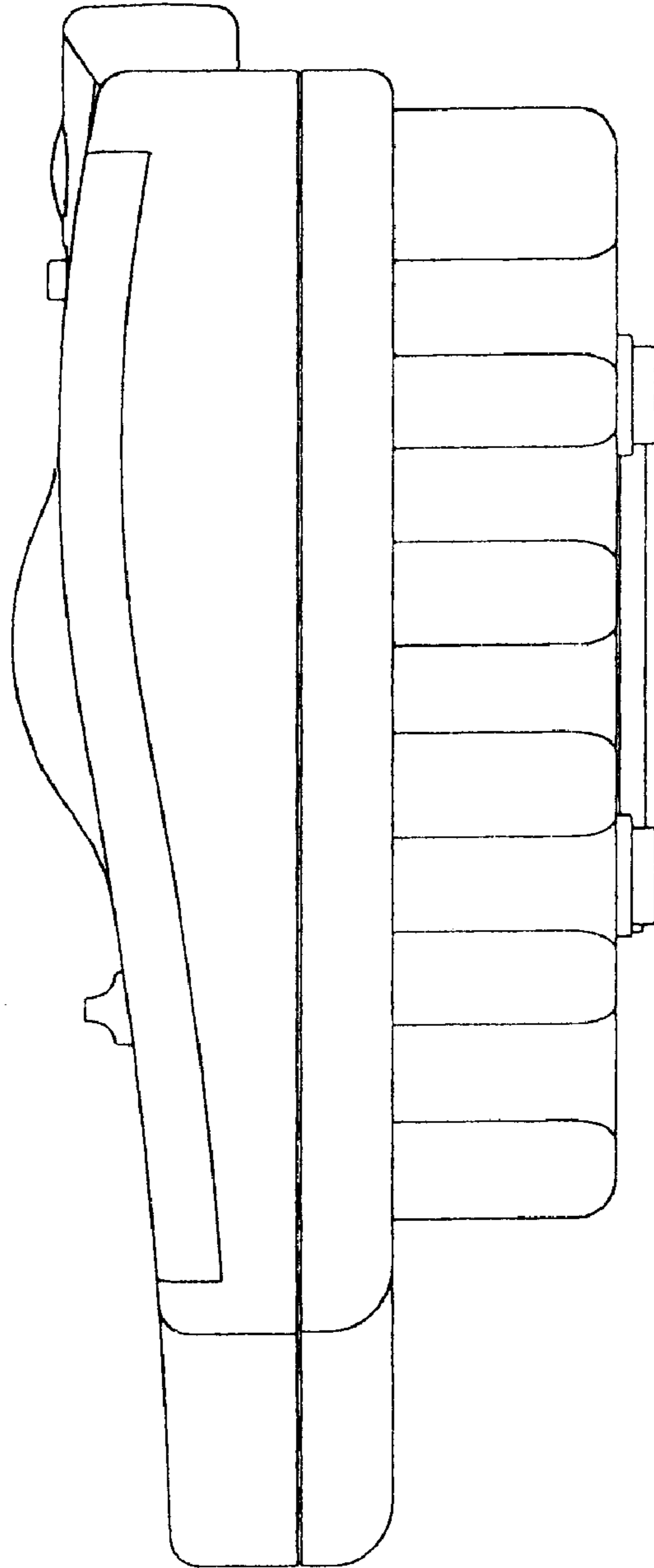


FIG. 4

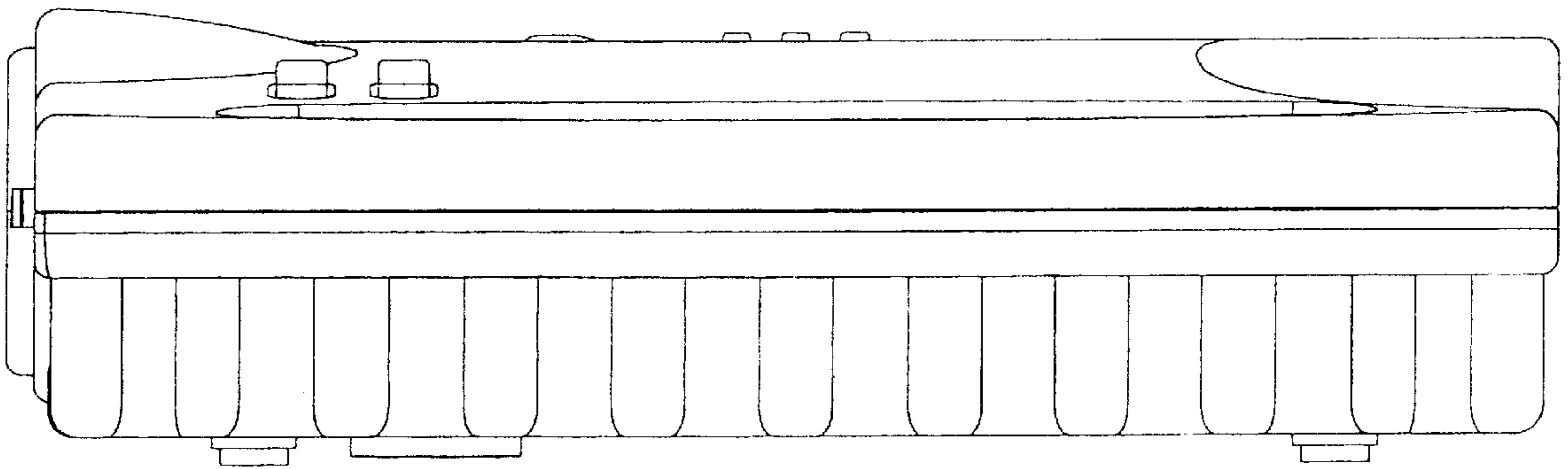


FIG. 5

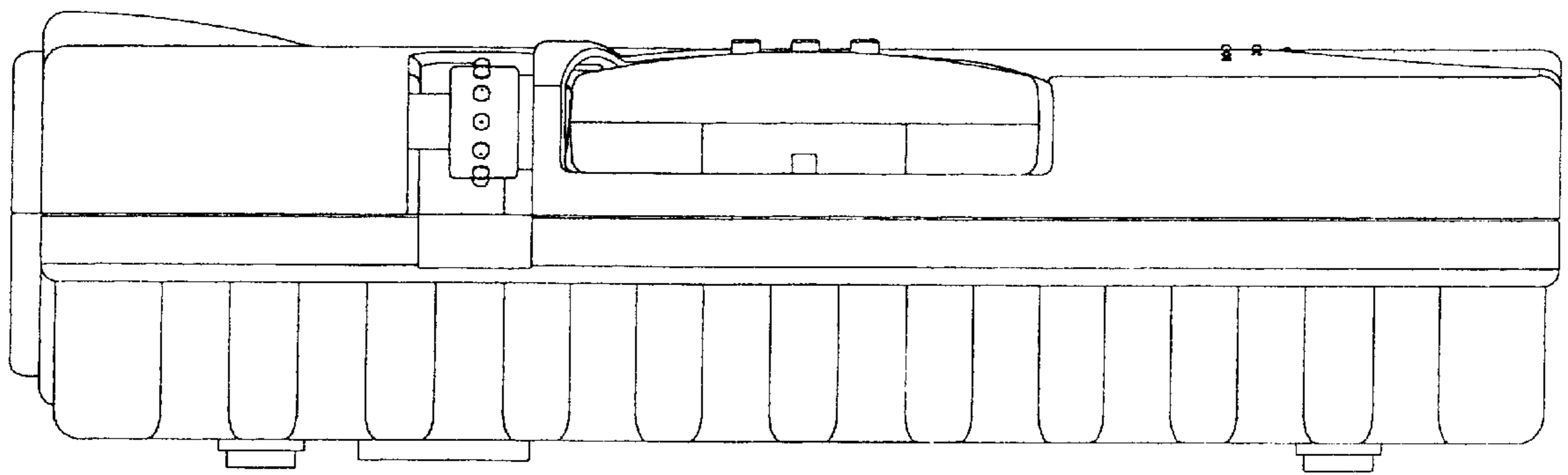


FIG. 6