



US00D478913S

(12) **United States Design Patent**
Johnson et al.

(10) **Patent No.: US D478,913 S**

(45) **Date of Patent: ** Aug. 26, 2003**

(54) **MANIFOLD HEADER**

(75) Inventors: **Warren Thomas Johnson**, Grose Vale (AU); **Robert James McMahon**, Leichhardt (AU); **David Cox**, Ashfield (AU); **Leon Keith Ernst**, Fairfield (AU); **Bruce Gregory Biltoft**, Chatswood (AU); **Gary William Stollery**, Richmond (AU); **David Wood**, Hunters Hill (AU)

(73) Assignee: **USF Filtration and Separations Group, Inc.**, Timonium, MD (US)

(**) Term: **14 Years**

(21) Appl. No.: **29/119,130**

(22) Filed: **Feb. 24, 2000**

(51) **LOC (7) Cl. 15-01**

(52) **U.S. Cl. D15/5**

(58) **Field of Search** D15/1-5; 60/299, 60/302, 313, 323, 324; 125/184.35, 184.36, 184.55, 184.61, 572, 52 M, 41.27, 261

(56) **References Cited**

U.S. PATENT DOCUMENTS

D364,628 S * 11/1995 Haller D15/5

D374,446 S * 10/1996 Bendell D15/5

D400,890 S * 11/1998 Gambardella D15/5

D446,791 S * 8/2001 Beckham D15/1

* cited by examiner

Primary Examiner—Melody N. Brown
(74) *Attorney, Agent, or Firm*—Knobbe, Martens, Olson & Bear, LLP

(57) **CLAIM**

The ornamental design for a manifold header, as shown and described.

DESCRIPTION

FIG. 1 is a front elevational view of a manifold header embodying our new design;
FIG. 2 is a rear elevational view thereof;
FIG. 3 is a left side elevational view thereof;
FIG. 4 is a right side elevational view thereof;
FIG. 5 is a top plan view thereof;
FIG. 6 is a bottom plan view thereof;
FIG. 7 is a bottom, rear, left perspective view thereof;
FIG. 8 is a top, front, right perspective view thereof; and,
FIG. 9 is a cross-sectional view taken along line 9—9 of FIG. 5.

1 Claim, 5 Drawing Sheets

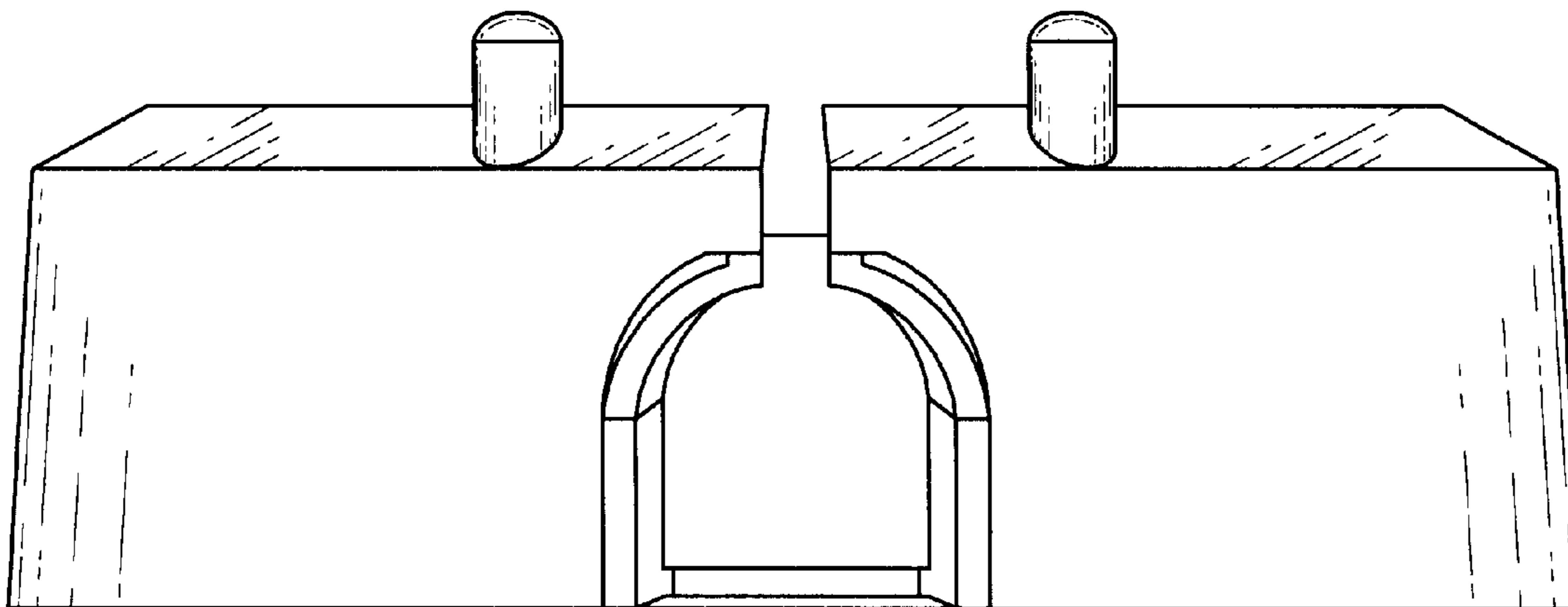


FIG. 1

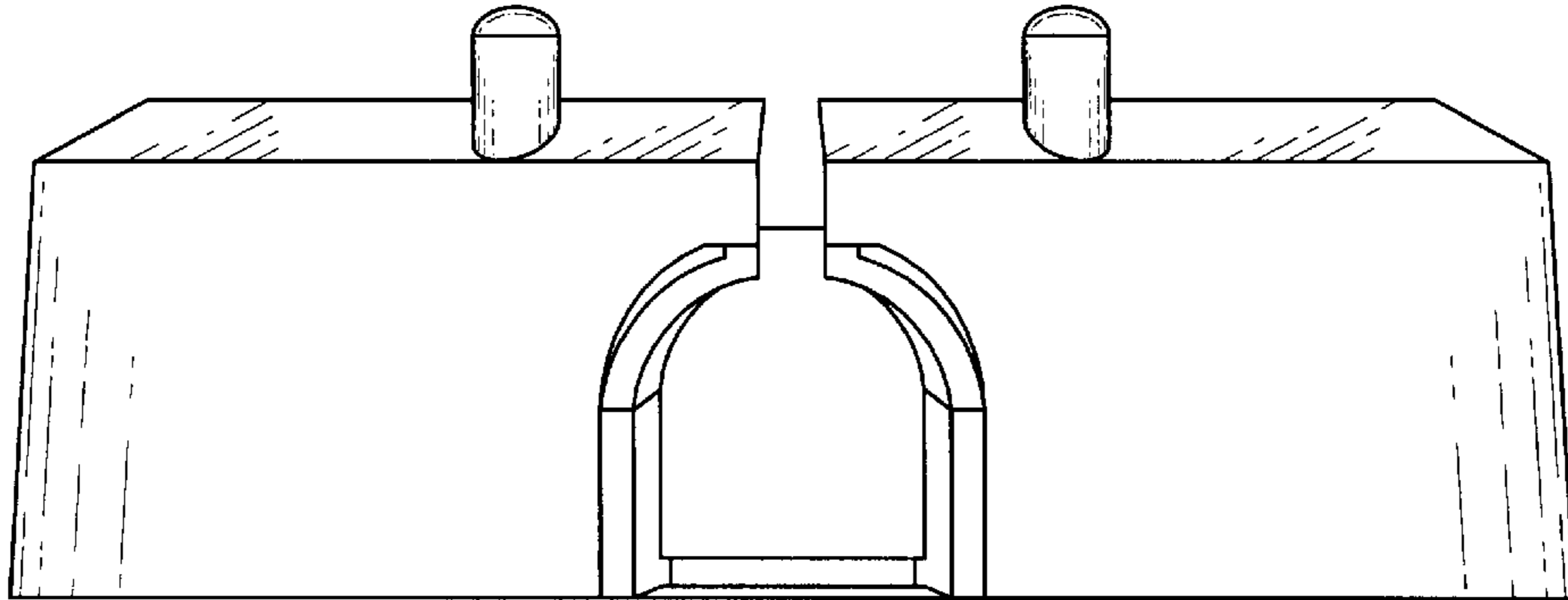


FIG. 2

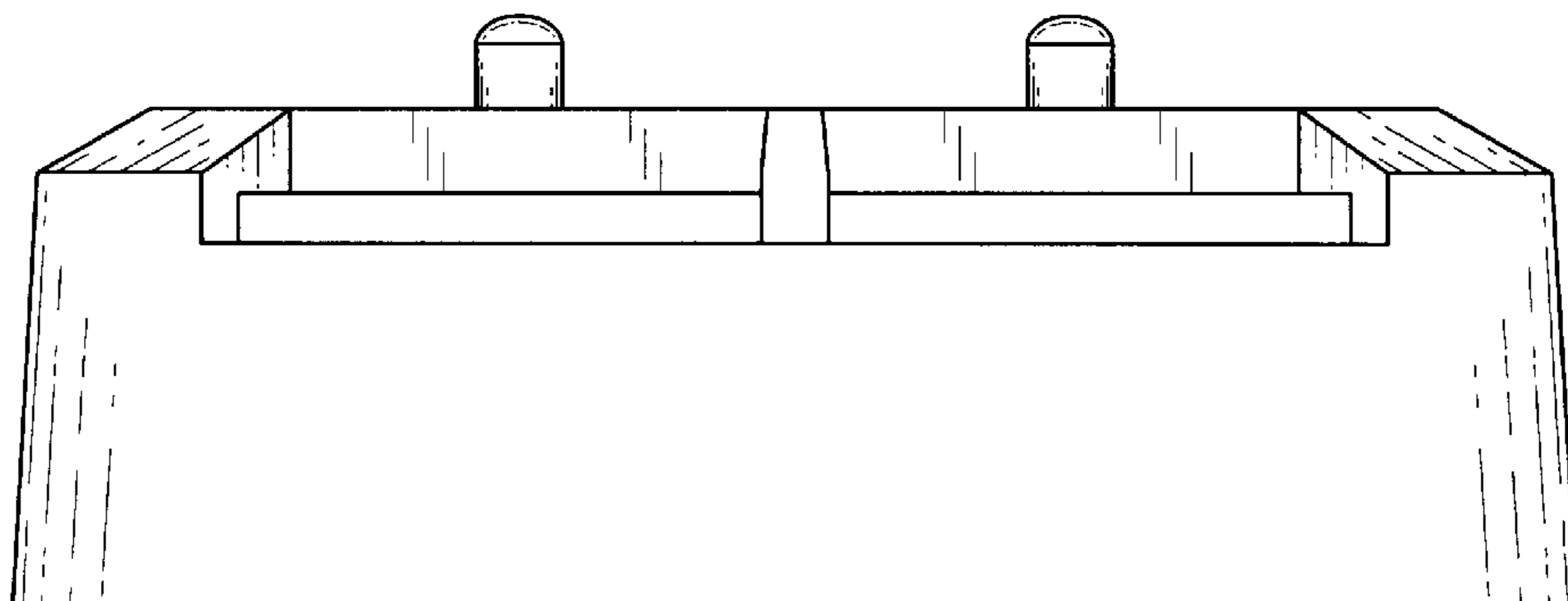


FIG. 3

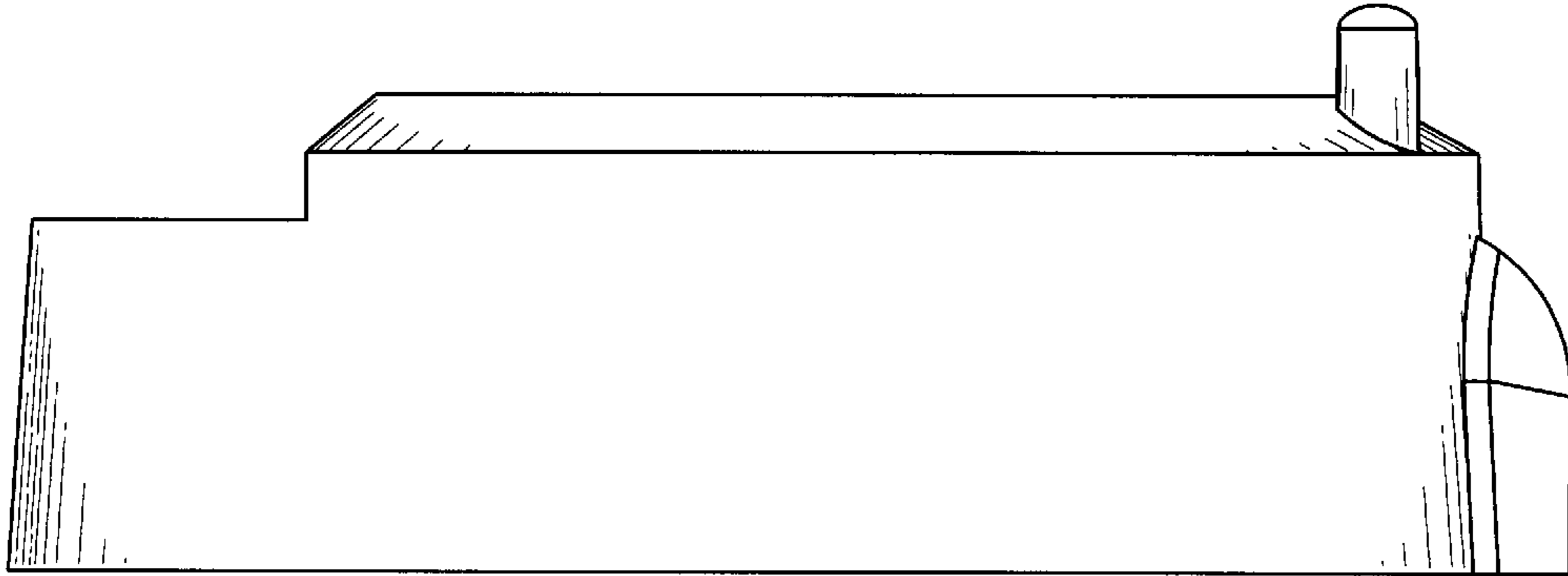


FIG. 4

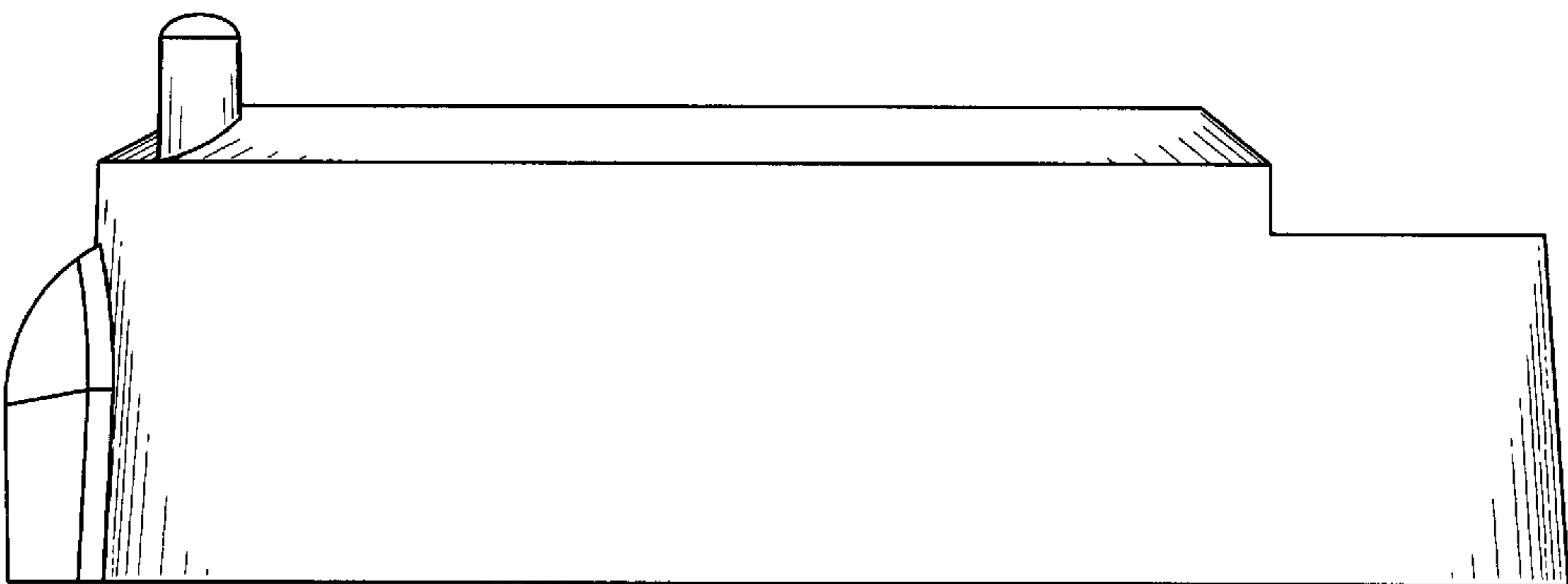


FIG. 5

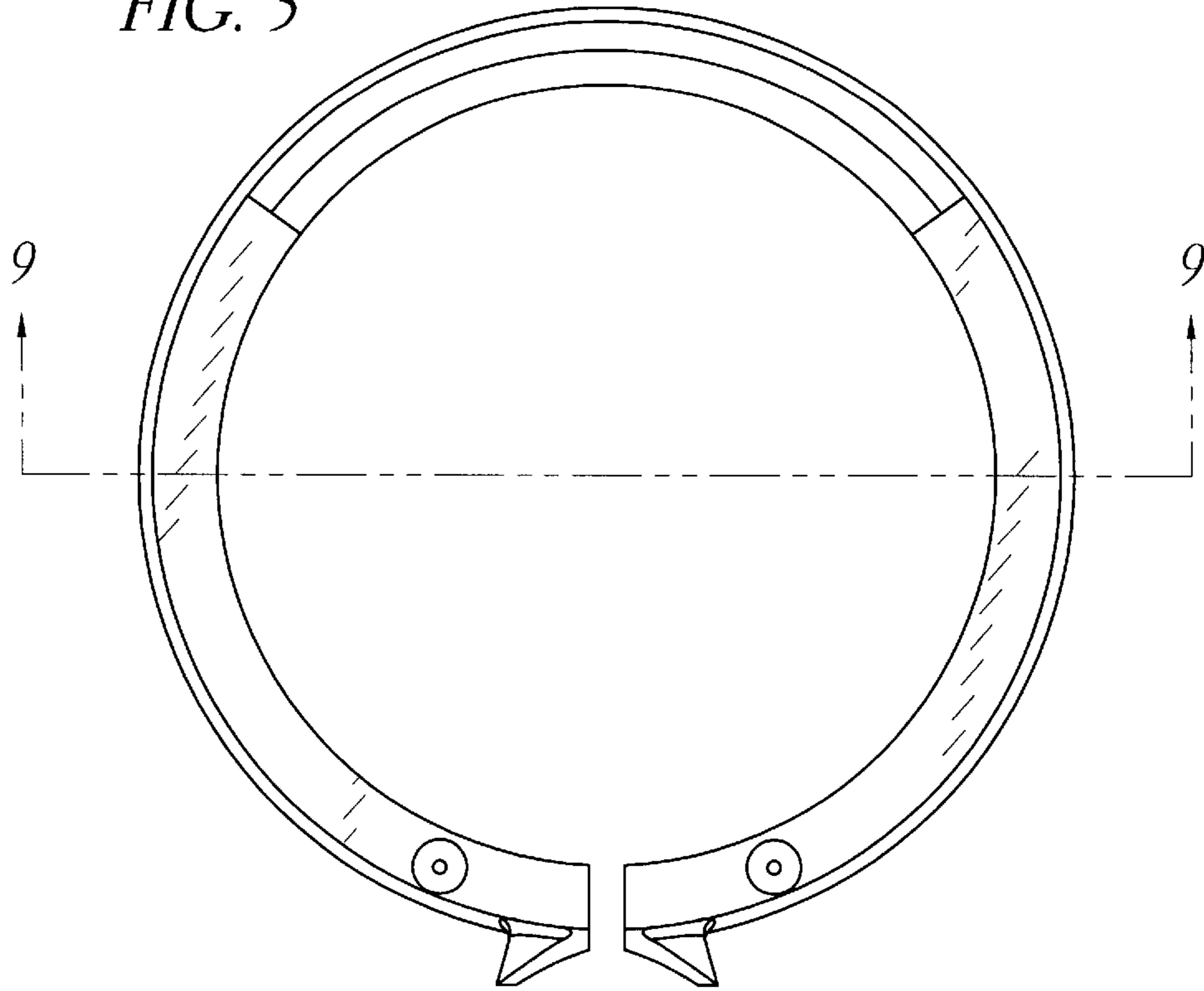


FIG. 6

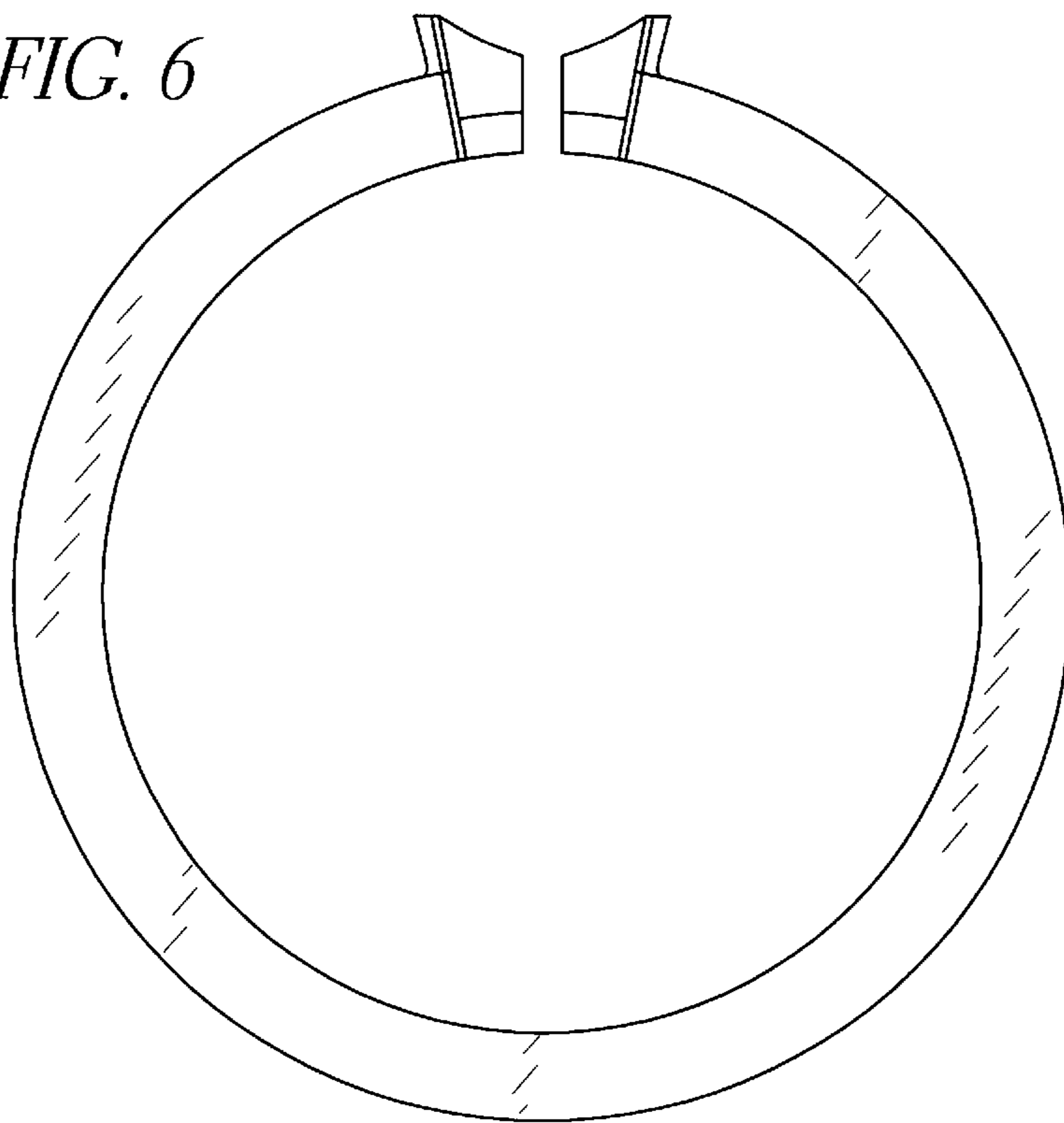


FIG. 7

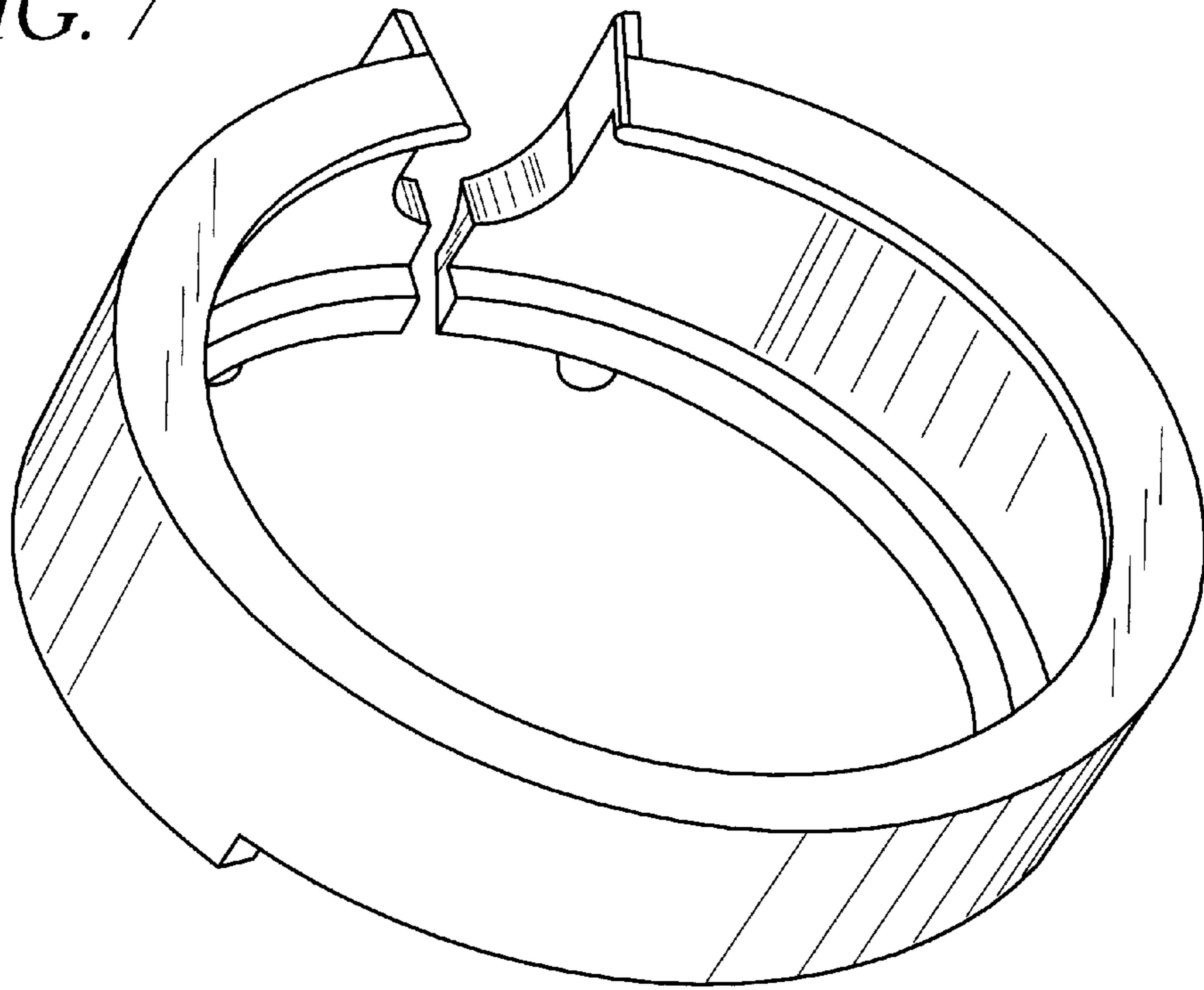


FIG. 8

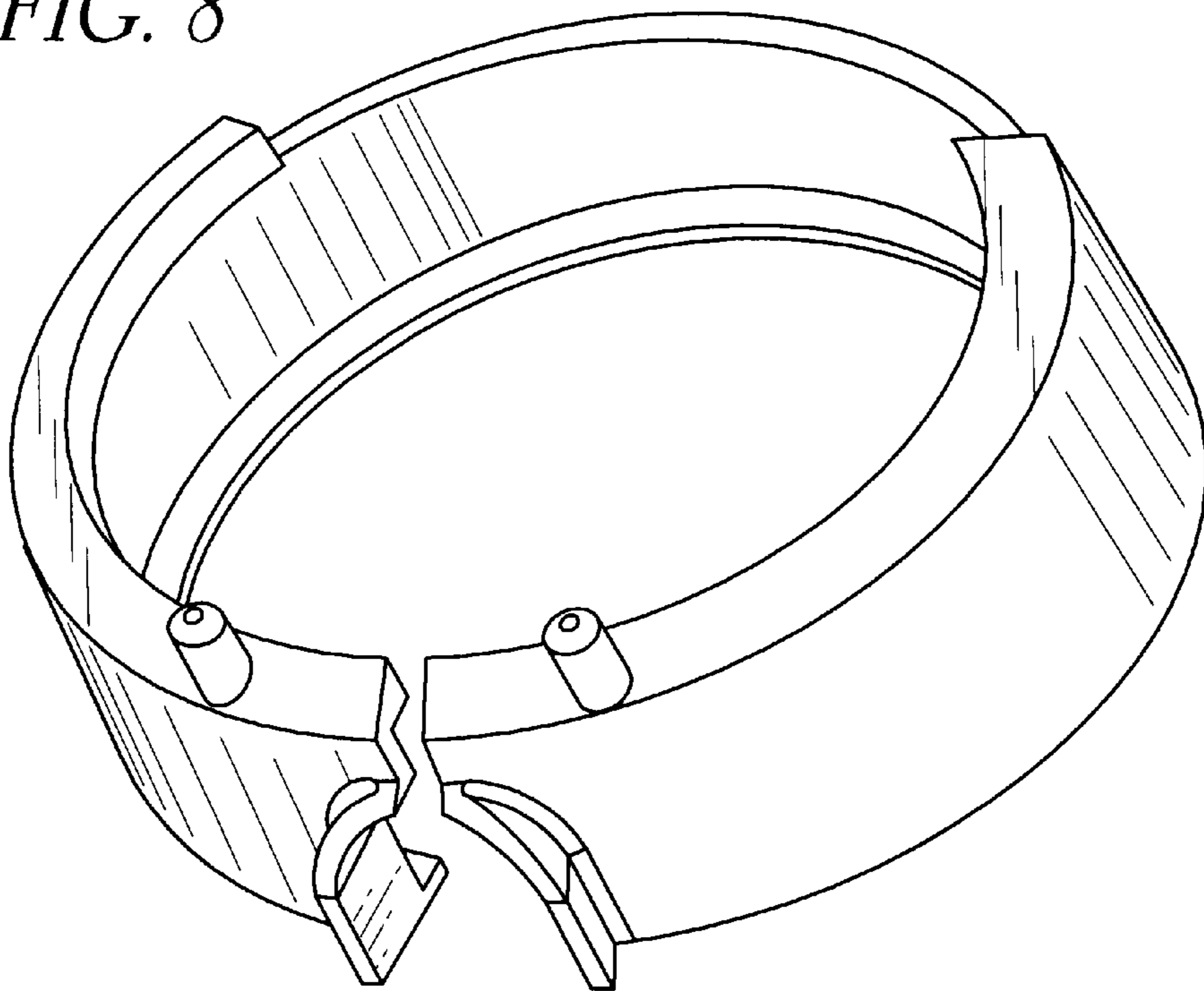


FIG. 9

