



US00D478911S

(12) **United States Design Patent**  
**Chen**

(10) **Patent No.:** **US D478,911 S**

(45) **Date of Patent:** **\*\* Aug. 26, 2003**

(54) **ELECTRIC COUPLER**

(75) Inventor: **I Tao Chen**, Chong Ho (TW)

(73) Assignee: **Global Sun Technology Inc.**, Taipei (TW)

(\*\*) Term: **14 Years**

(21) Appl. No.: **29/167,118**

(22) Filed: **Sep. 7, 2002**

(51) **LOC (7) Cl.** ..... **14-02**

(52) **U.S. Cl.** ..... **D14/433**

(58) **Field of Search** ..... D14/432-438;  
D13/123, 184, 147, 133, 171, 174; 439/30,  
354, 928.1; 360/69

(56) **References Cited**

**U.S. PATENT DOCUMENTS**

3,689,723 A \* 9/1972 Ludwig et al. .... 200/298  
D353,577 S \* 12/1994 Shoda et al. .... D13/147

D464,623 S \* 10/2002 Pogagetz et al. .... D13/123  
D468,264 S \* 1/2003 Sugino ..... D13/133  
D472,555 S \* 4/2003 Tomino ..... D14/433

\* cited by examiner

*Primary Examiner*—Kay H. Chin

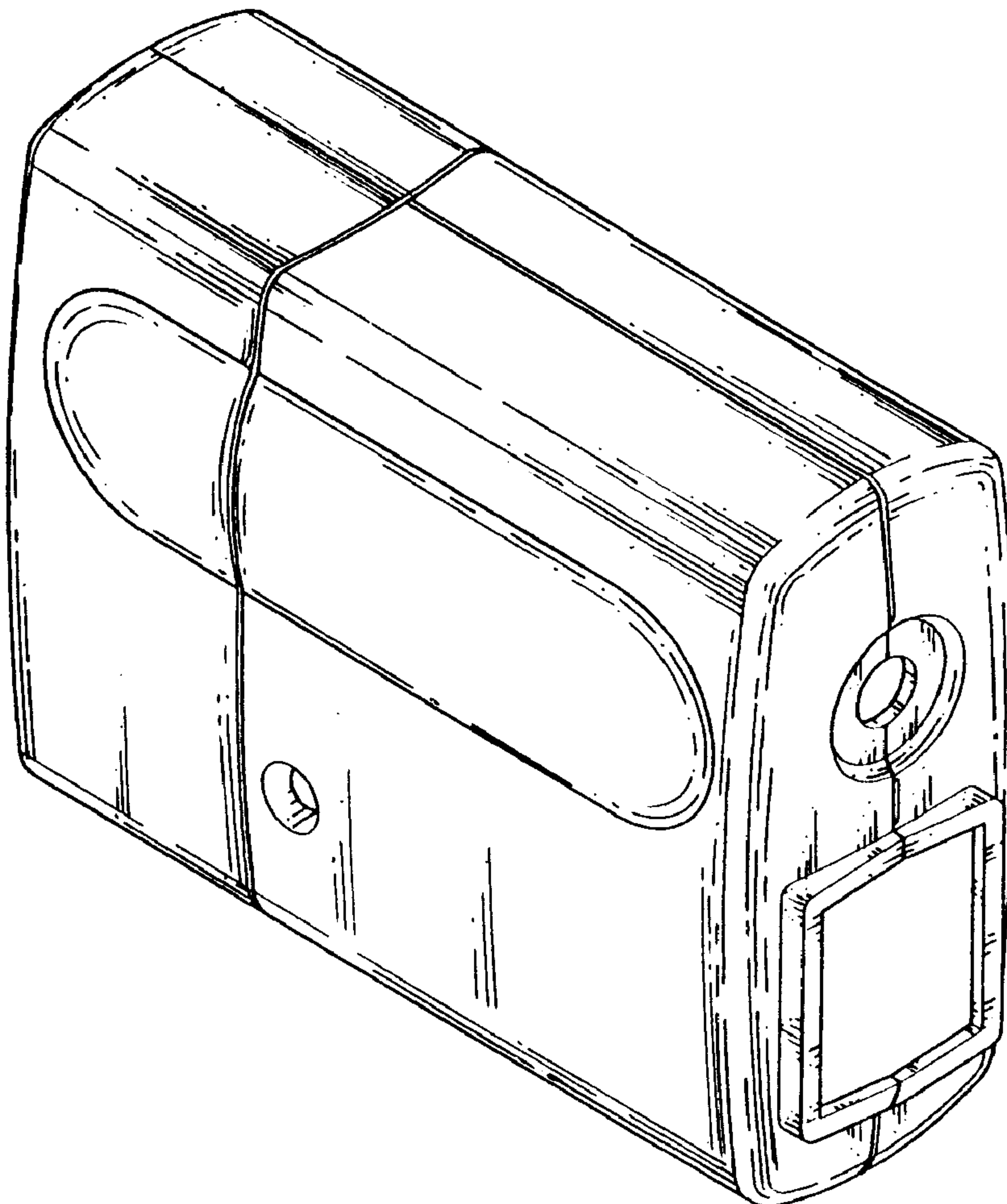
(57) **CLAIM**

The ornamental design for an electric coupler, as shown and described.

**DESCRIPTION**

FIG. 1 is a perspective view of an electric coupler showing my new design;  
FIG. 2 is a front elevational view thereof;  
FIG. 3 is a rear elevational view thereof;  
FIG. 4 is a top plan view thereof;  
FIG. 5 is a bottom plan view thereof;  
FIG. 6 is a left side elevational view thereof; and,  
FIG. 7 is a right side elevational view thereof.

**1 Claim, 4 Drawing Sheets**



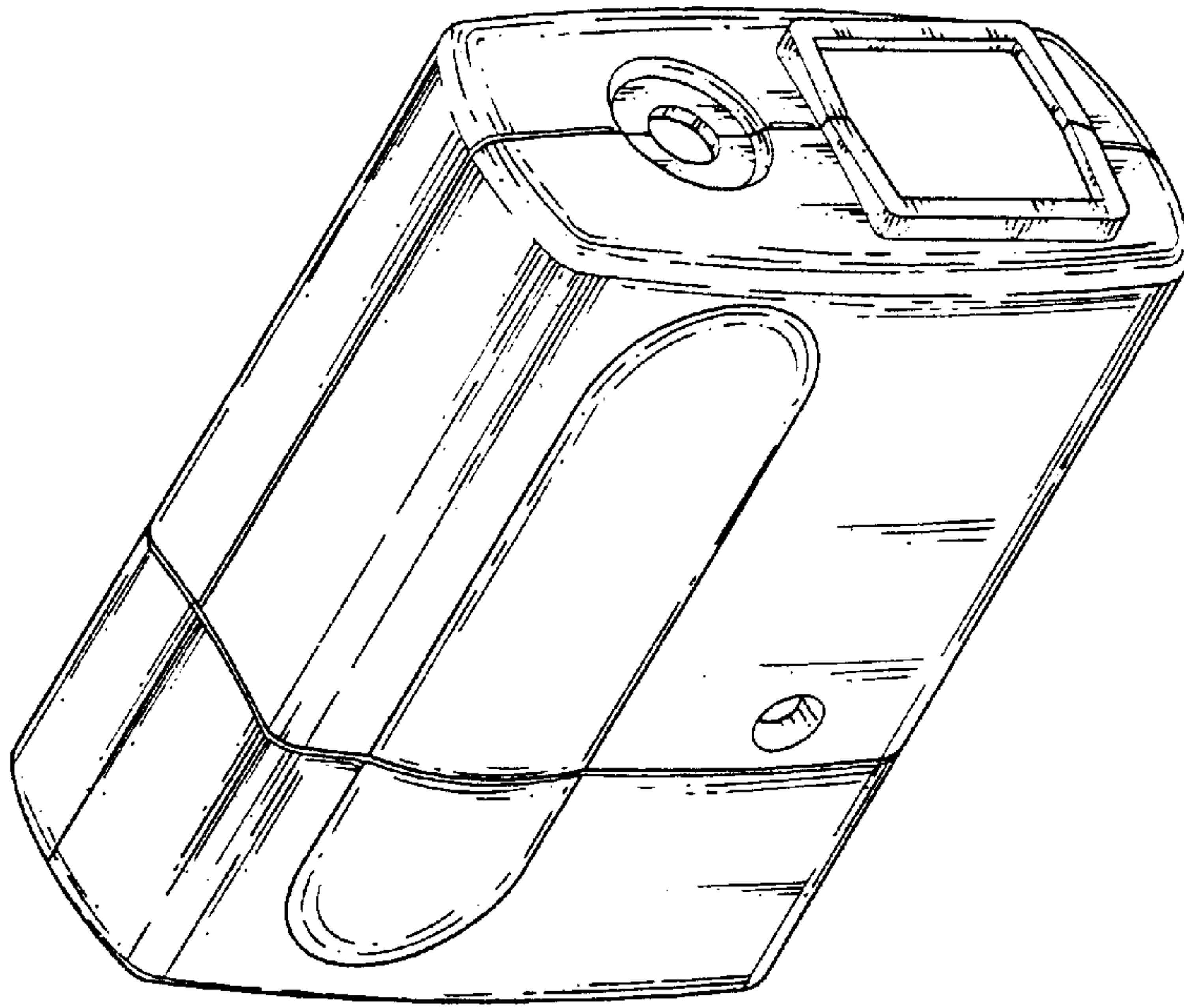


FIG. 1

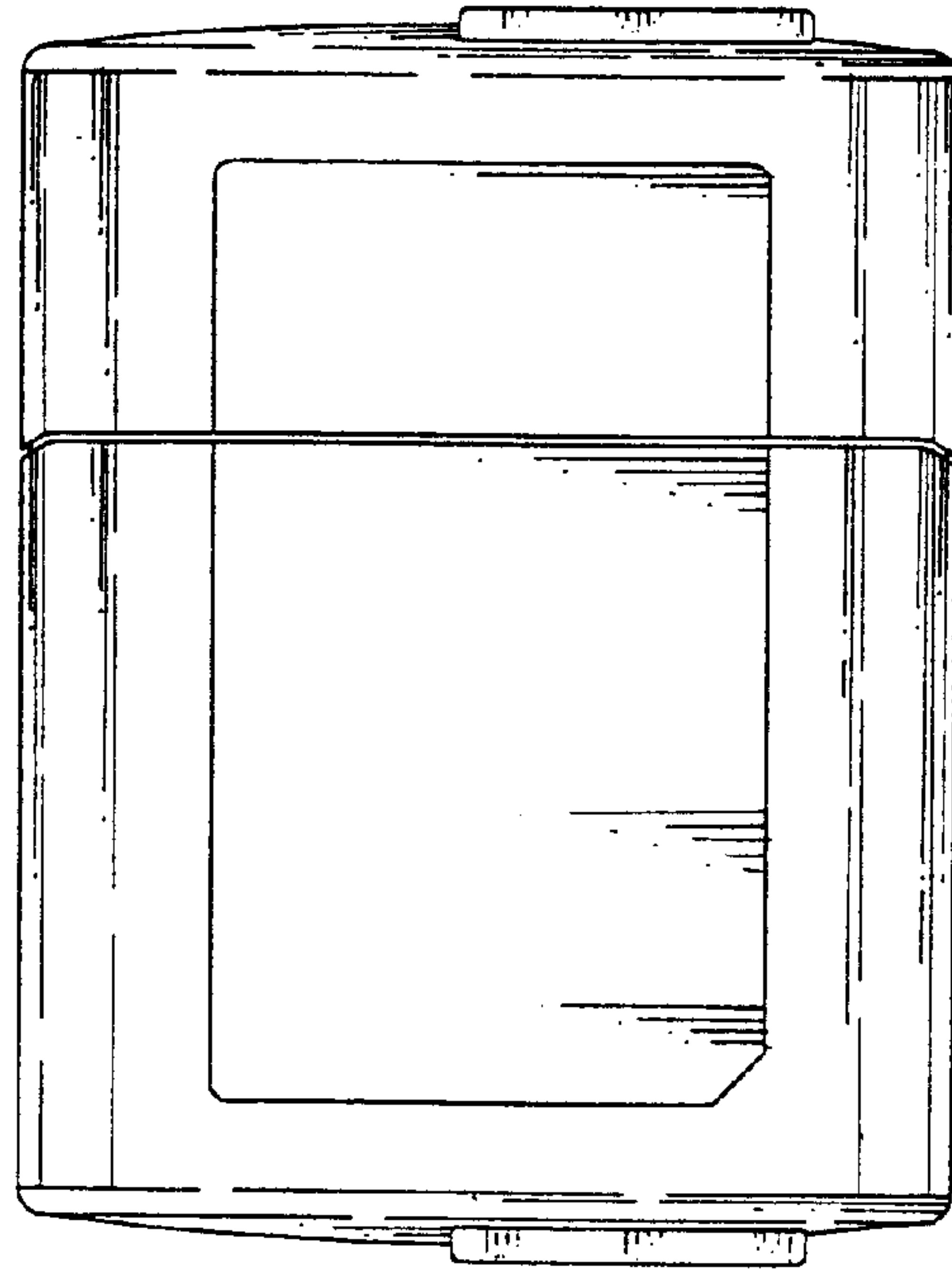


FIG. 2

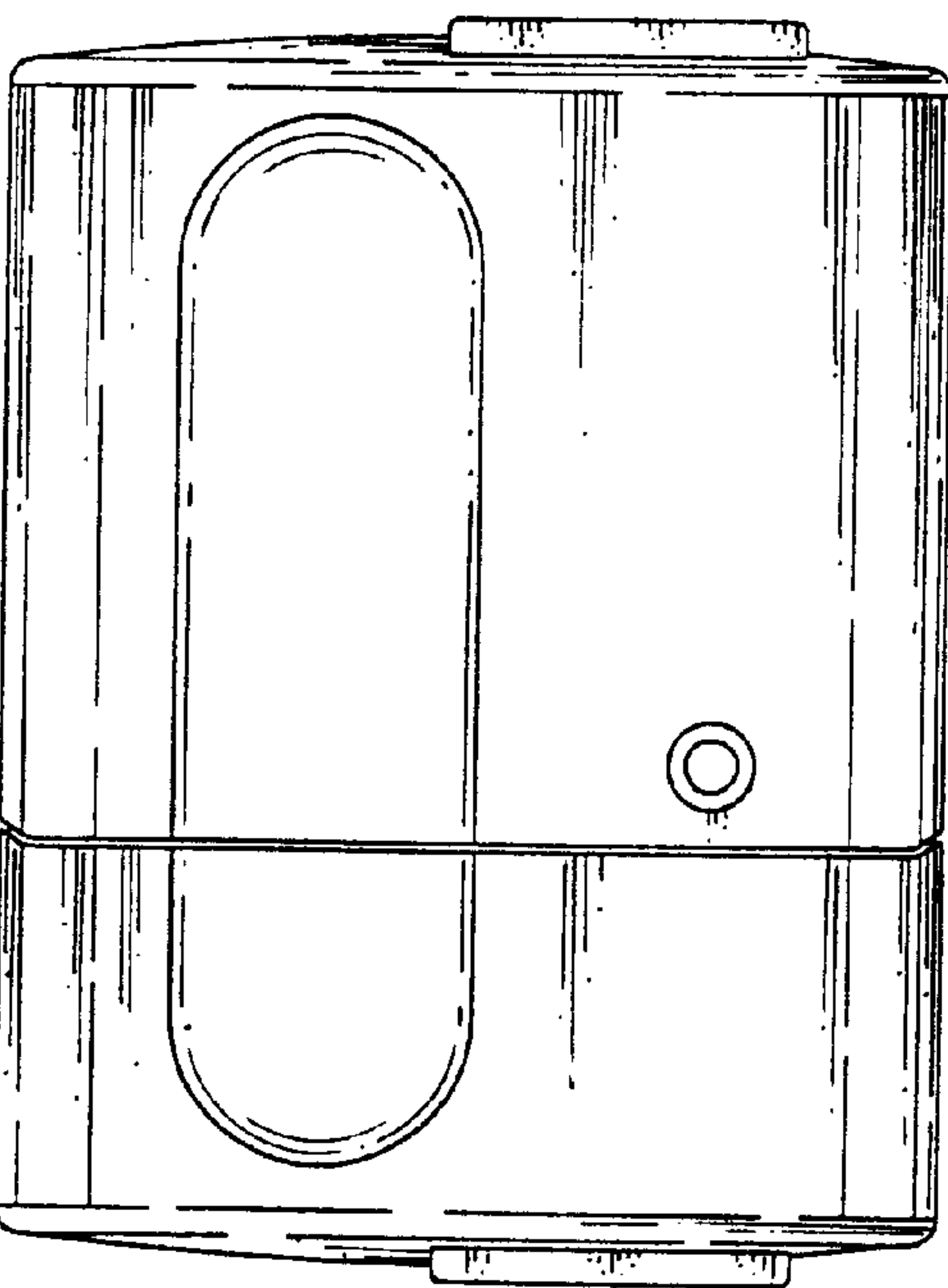


FIG. 3

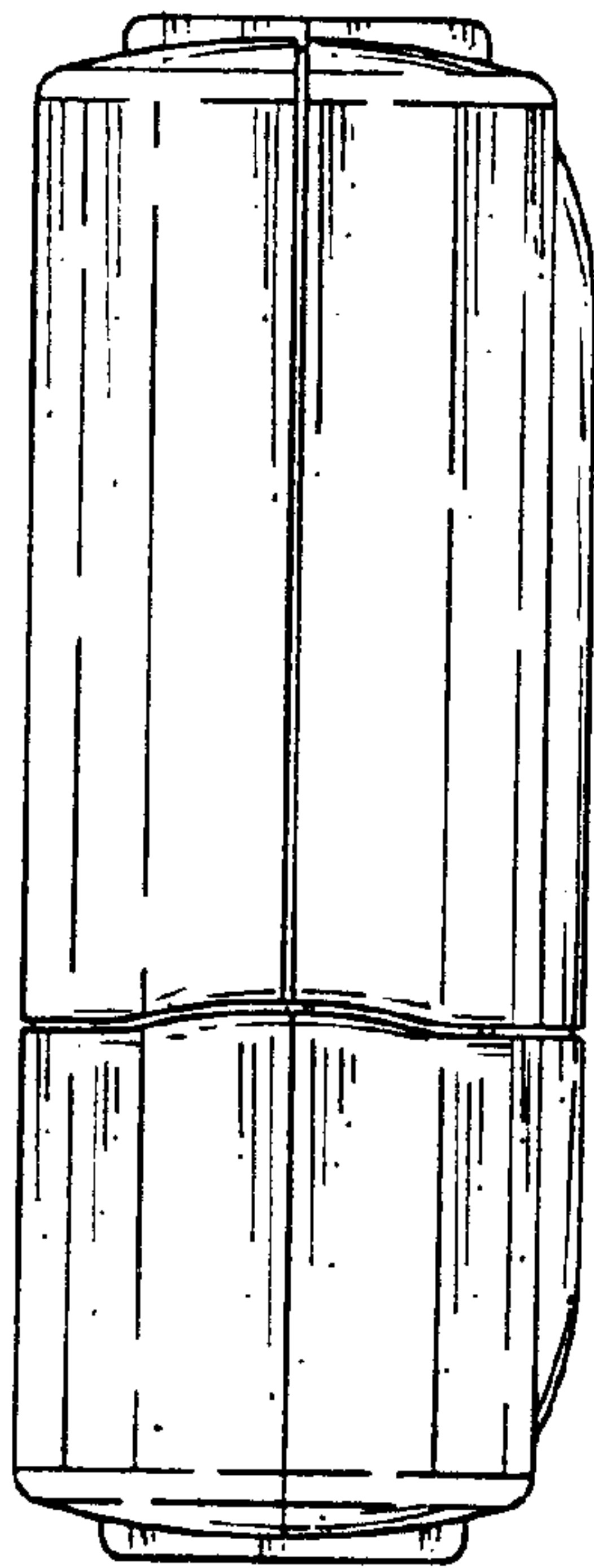


FIG. 4

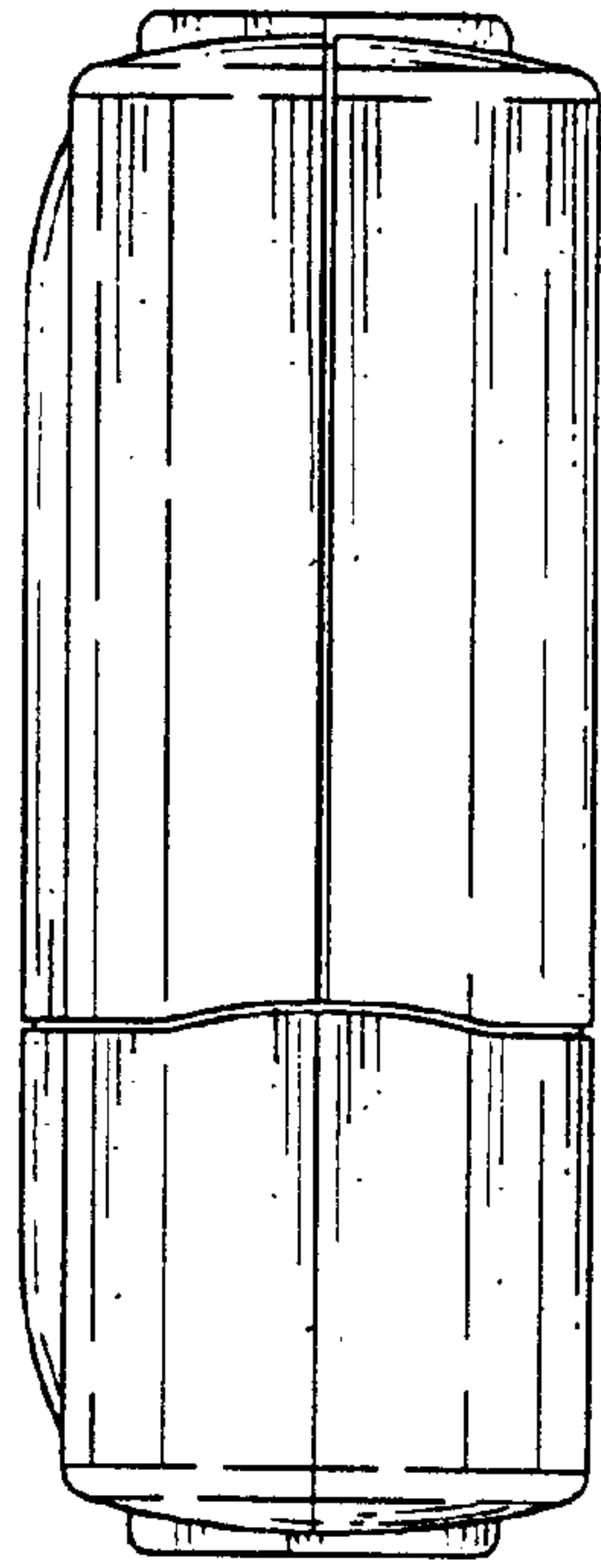


FIG. 5

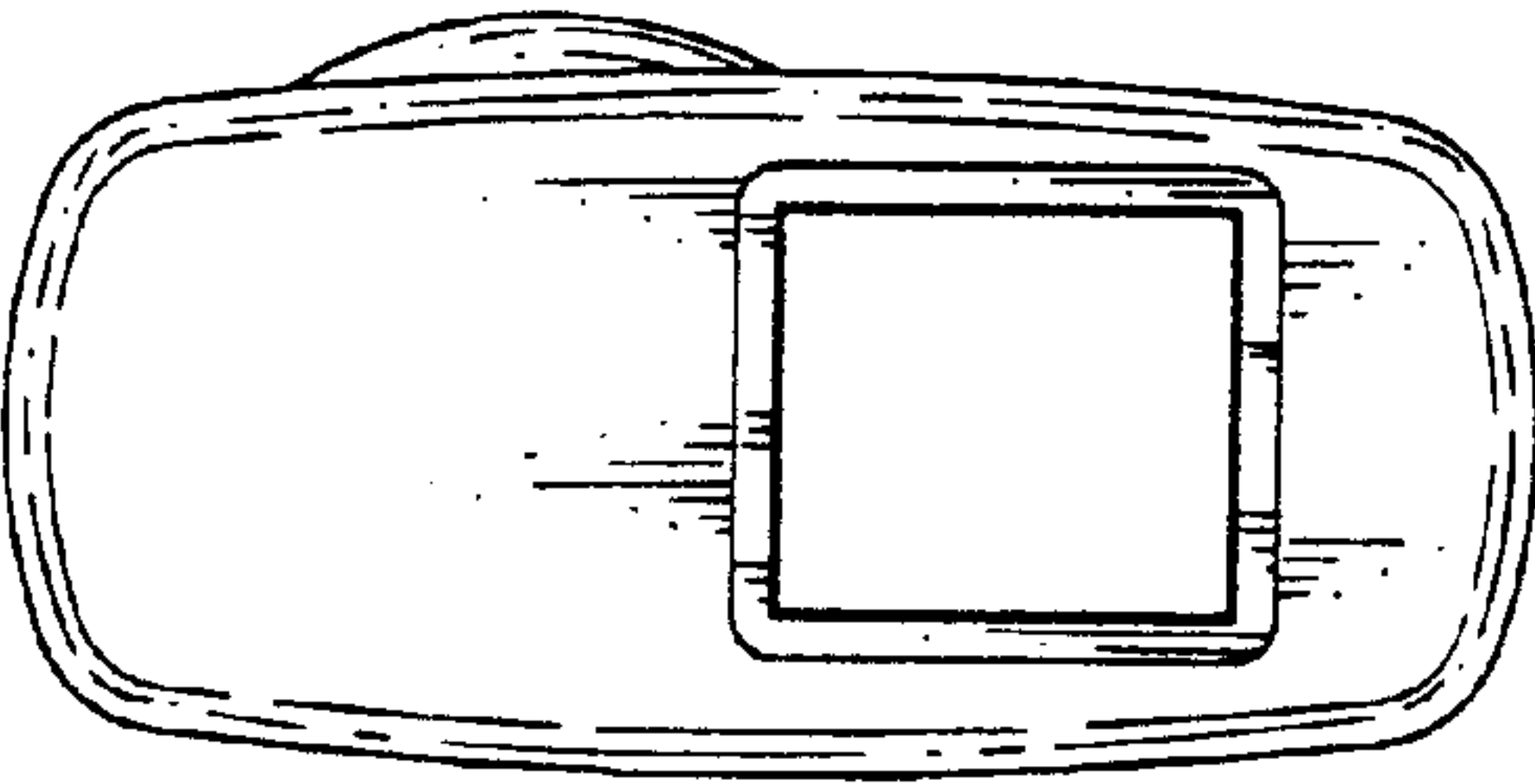


FIG. 6

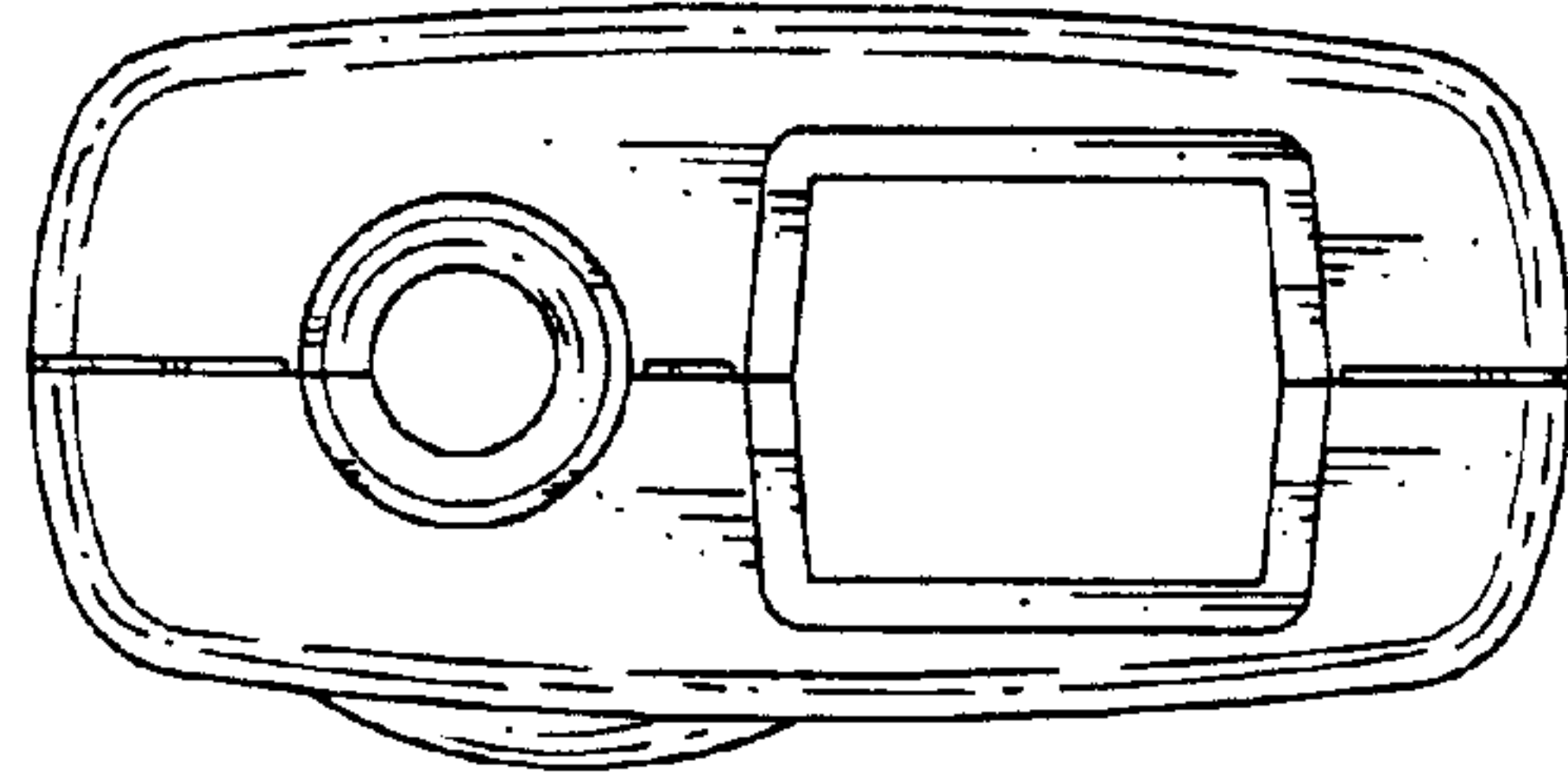


FIG. 7