



US00D478902S

(12) **United States Design Patent**
Hemer

(10) **Patent No.:** **US D478,902 S**

(45) **Date of Patent:** **** Aug. 26, 2003**

(54) **PLUG SOCKET FOR A RADIO TELEPHONE
HANDSET**

D471,540 S * 3/2003 Tomino et al. D14/358
D471,543 S * 3/2003 Yang et al. D14/240

(75) Inventor: **Berthold Hemer**, Schaafheim (DE)

FOREIGN PATENT DOCUMENTS

(73) Assignee: **Ceotronics Aktiengesellschaft Audio.
Video. Data Communication,**
Rodermark-Urberach (DE)

GB 2087166 * 3/2000
GB 2092630 * 8/2000

(**) Term: **14 Years**

* cited by examiner

Primary Examiner—Charles A. Rademaker
(74) *Attorney, Agent, or Firm*—Needle & Rosenberg, P.C.

(21) Appl. No.: **29/157,013**

(57) **CLAIM**

(22) Filed: **Mar. 12, 2002**

The ornamental design for a plug socket for a radio telephone handset, as shown and described.

(30) **Foreign Application Priority Data**

DESCRIPTION

Oct. 30, 2001 (WO) DM/057 914

(51) **LOC (7) Cl.** **14-03**

(52) **U.S. Cl.** **D14/240**

(58) **Field of Search** D14/240–256,
D14/433, 356, 438, 357; D13/152, 160,
161, 164, 178, 173, 133, 154, 137.1, 123;
439/651, 571; 379/419, 420, 428, 440,
93.01, 93.28; 455/901, 462, 77, 575; 375/220–225

FIG. 1 is a front, top and right side perspective view of a plug socket for a radio telephone handset;
FIG. 2 is a left side elevation view of a plug socket for a radio telephone handset of FIG. 1;
FIG. 3 is a right side elevation view of a plug socket for a radio telephone handset of FIG. 1;
FIG. 4 is a bottom plan view of a plug socket for a radio telephone handset of FIG. 1;
FIG. 5 is a top plan view of a plug socket for a radio telephone handset of FIG. 1; and,
FIG. 6 is a rear elevation view of a plug socket for a radio telephone handset of FIG. 1.

(56) **References Cited**

U.S. PATENT DOCUMENTS

D463,781 S * 10/2002 Faerber et al. 14/149
D463,793 S * 10/2002 Viippola D14/240

1 Claim, 3 Drawing Sheets

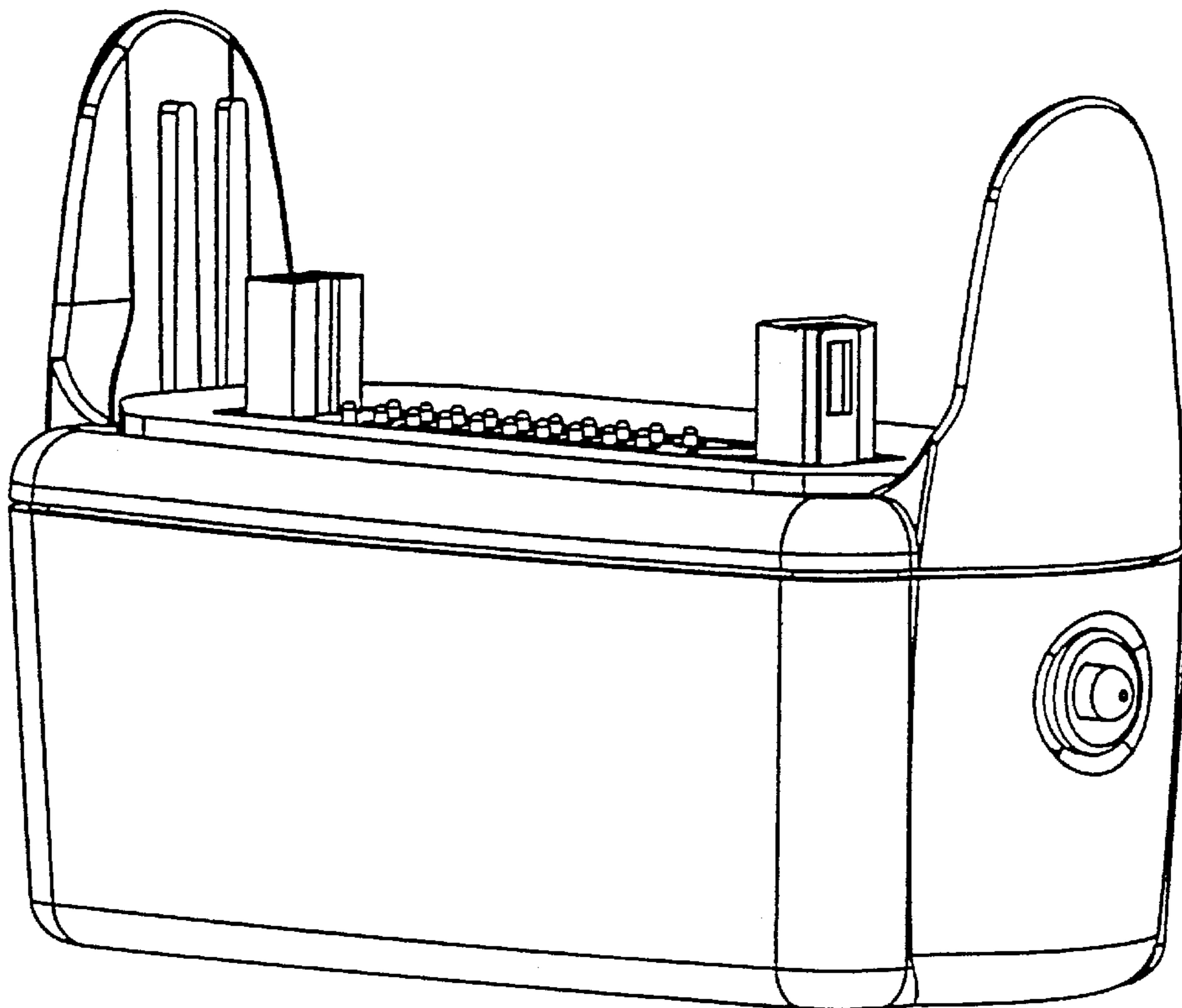


Fig.1

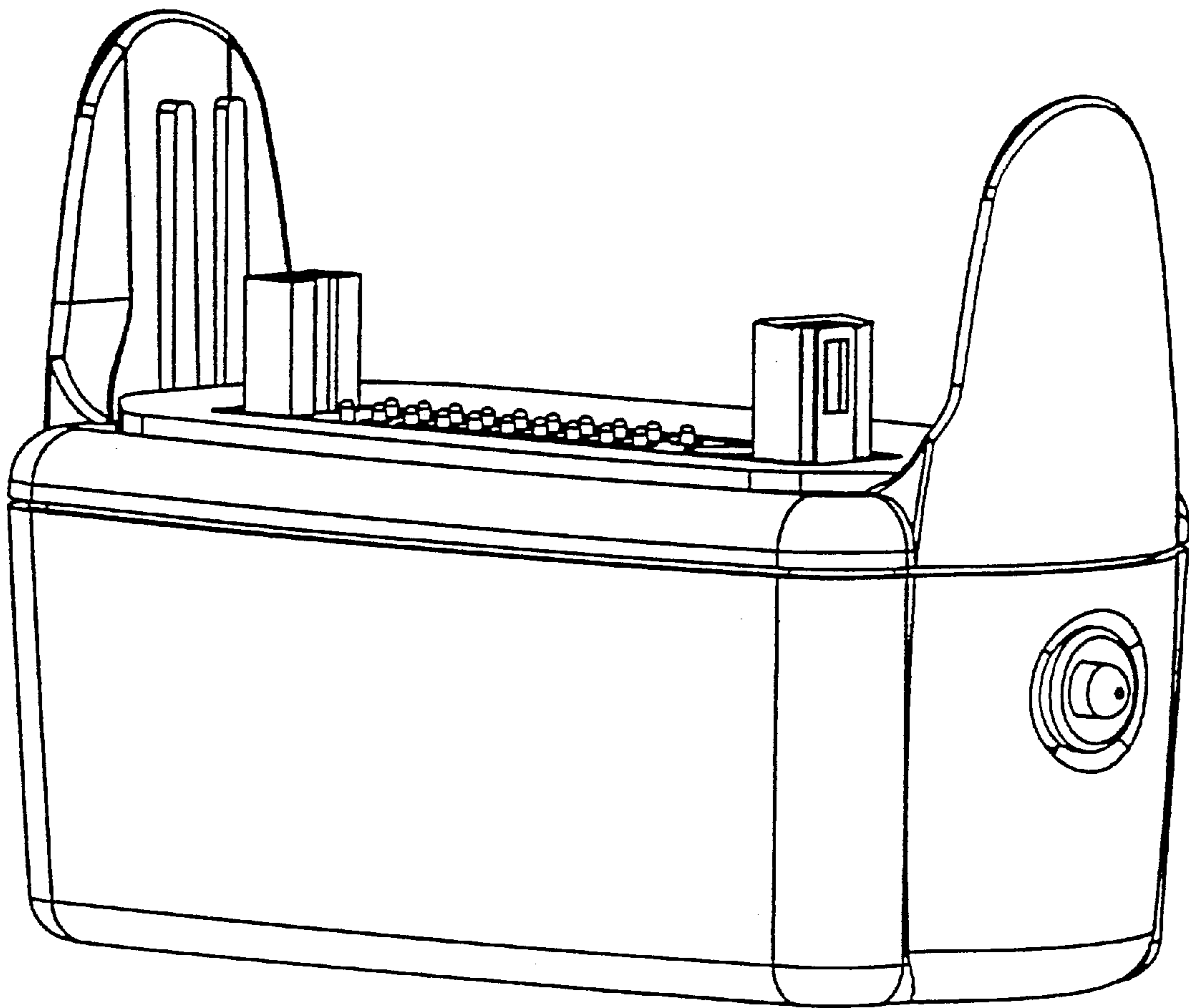


Fig.2

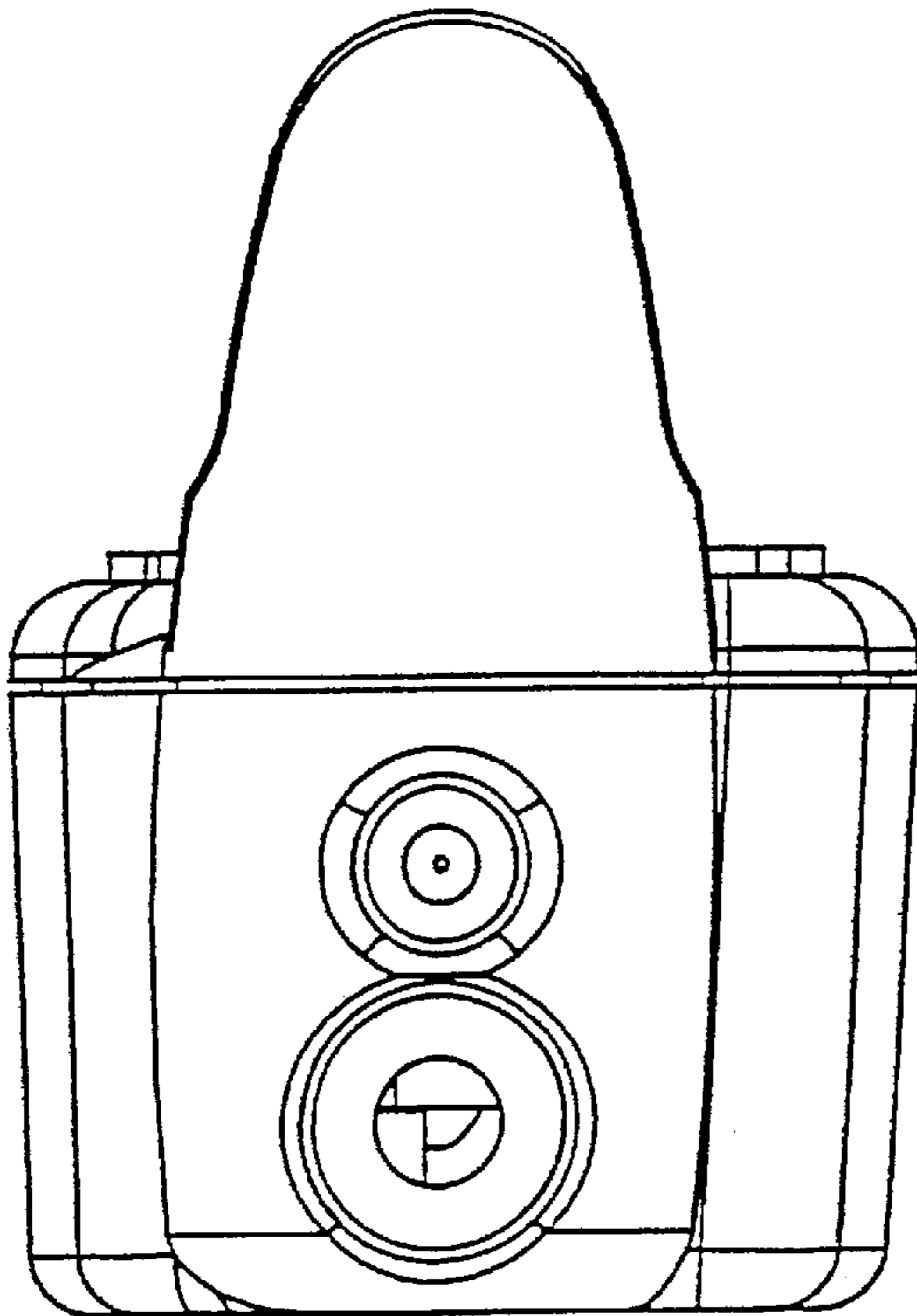


Fig.3

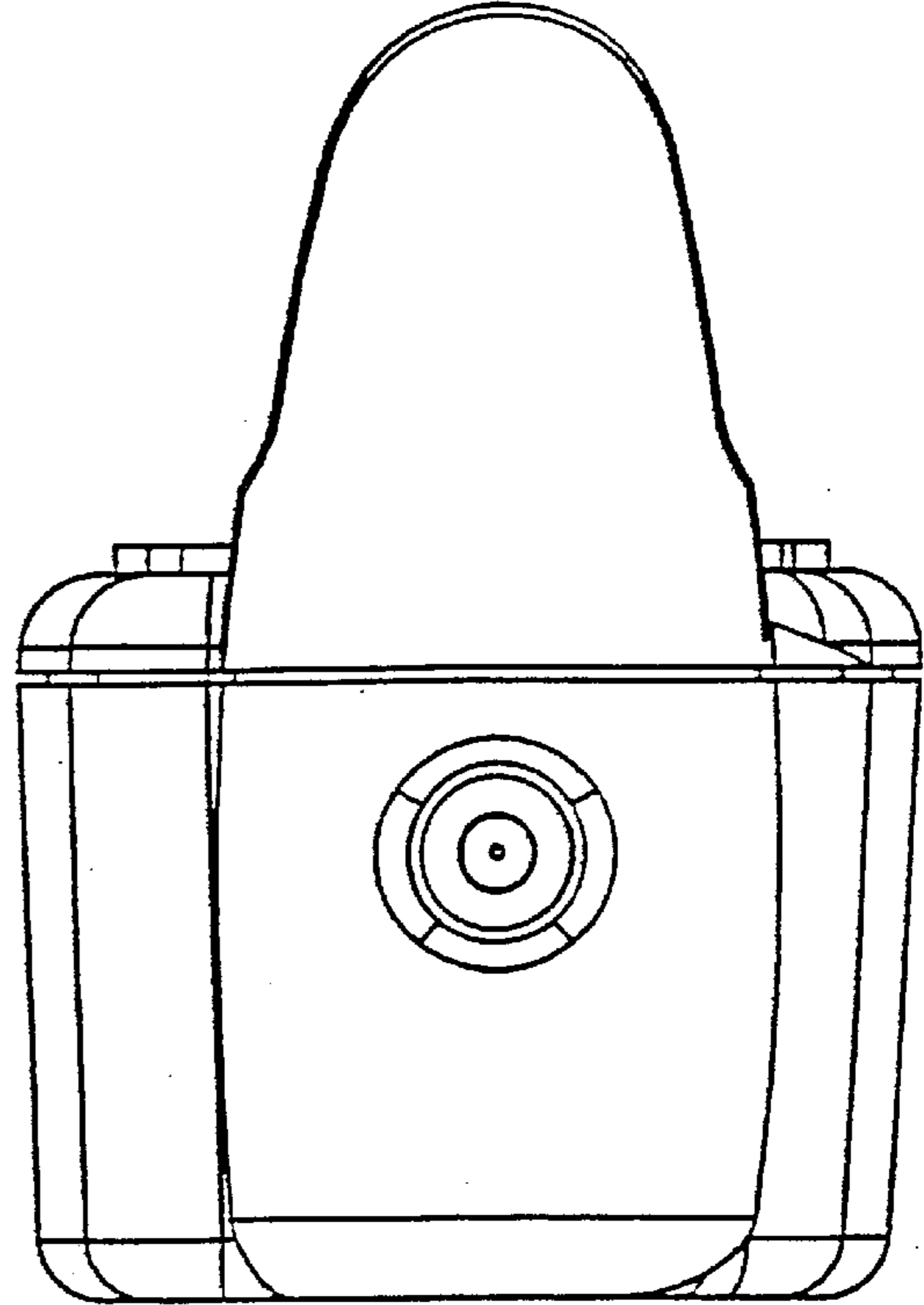


Fig.4

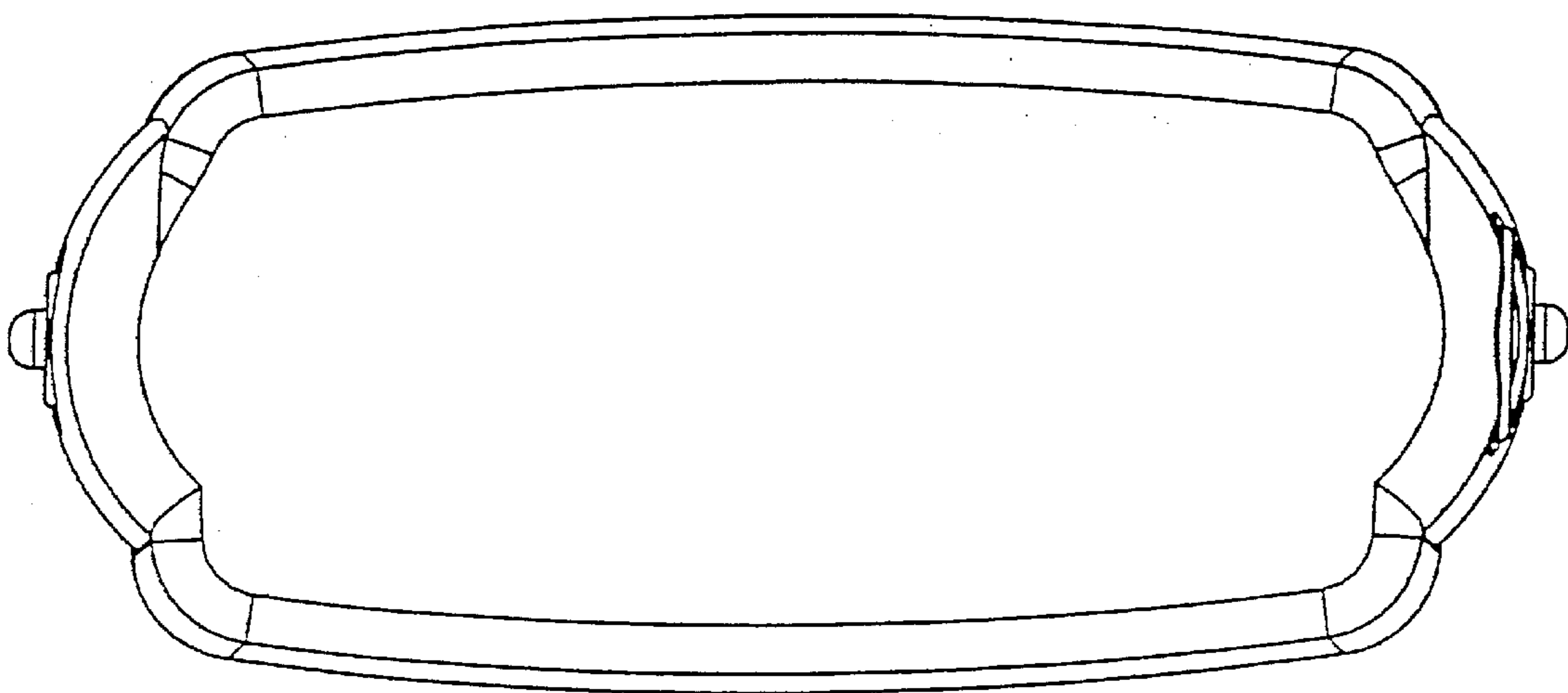


Fig.5

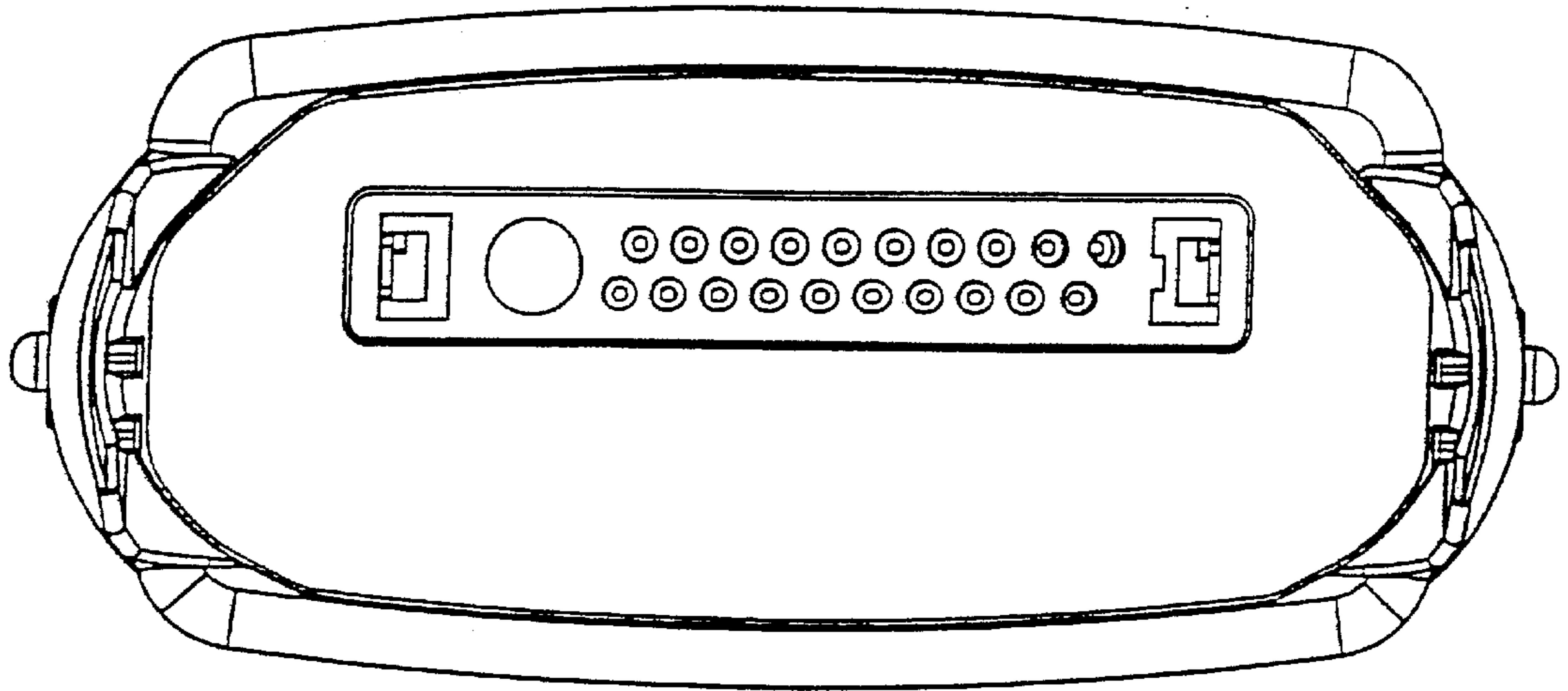


Fig.6

