



US00D478900S

(12) **United States Design Patent**  
**Wong**

(10) **Patent No.:** **US D478,900 S**

(45) **Date of Patent:** **\*\* Aug. 26, 2003**

(54) **REMOTE CONTROLLER HOLDER**

(75) Inventor: **Keng Wong, Wanchai (HK)**

(73) Assignee: **Sunhing Millennium Limited (HK)**

(\*\*) Term: **14 Years**

(21) Appl. No.: **29/167,513**

(22) Filed: **Sep. 17, 2002**

(30) **Foreign Application Priority Data**

Apr. 22, 2002 (HK) ..... 0210543

(51) **LOC (7) Cl.** ..... **14-03**

(52) **U.S. Cl.** ..... **D14/218; D21/576**

(58) **Field of Search** ..... D14/217, 299,  
D14/260.1; D9/310, 318, 341, 499; D3/201,  
270, 304, 313, 315, 319; D99/34, 37, 38,  
99; D21/654, 576; D7/623, 625, 516

(56) **References Cited**

**U.S. PATENT DOCUMENTS**

D105,824 S \* 8/1937 Romano ..... D21/654  
D174,893 S \* 6/1955 Boutwell ..... D3/304  
D223,559 S \* 5/1972 Magram ..... D21/576

D273,403 S \* 4/1984 DeLuca ..... D99/34

D298,560 S \* 11/1988 Kitamura ..... D21/576

D300,432 S \* 3/1989 Zuehsow ..... D14/218

D354,938 S \* 1/1995 Remeyer ..... D3/315

D418,140 S \* 12/1999 Epstein ..... D14/218

\* cited by examiner

*Primary Examiner*—Louis S. Zarfes

*Assistant Examiner*—Deanne Levy

(74) *Attorney, Agent, or Firm*—Burns, Doane, Swecker & Mathis, L.L.P.

(57) **CLAIM**

The ornamental design for a “remote controller holder”, as shown and described.

**DESCRIPTION**

FIG. 1 is a front view of a “remote controller holder” showing my design;

FIG. 2 is a rear view thereof;

FIG. 3 is a left side view thereof;

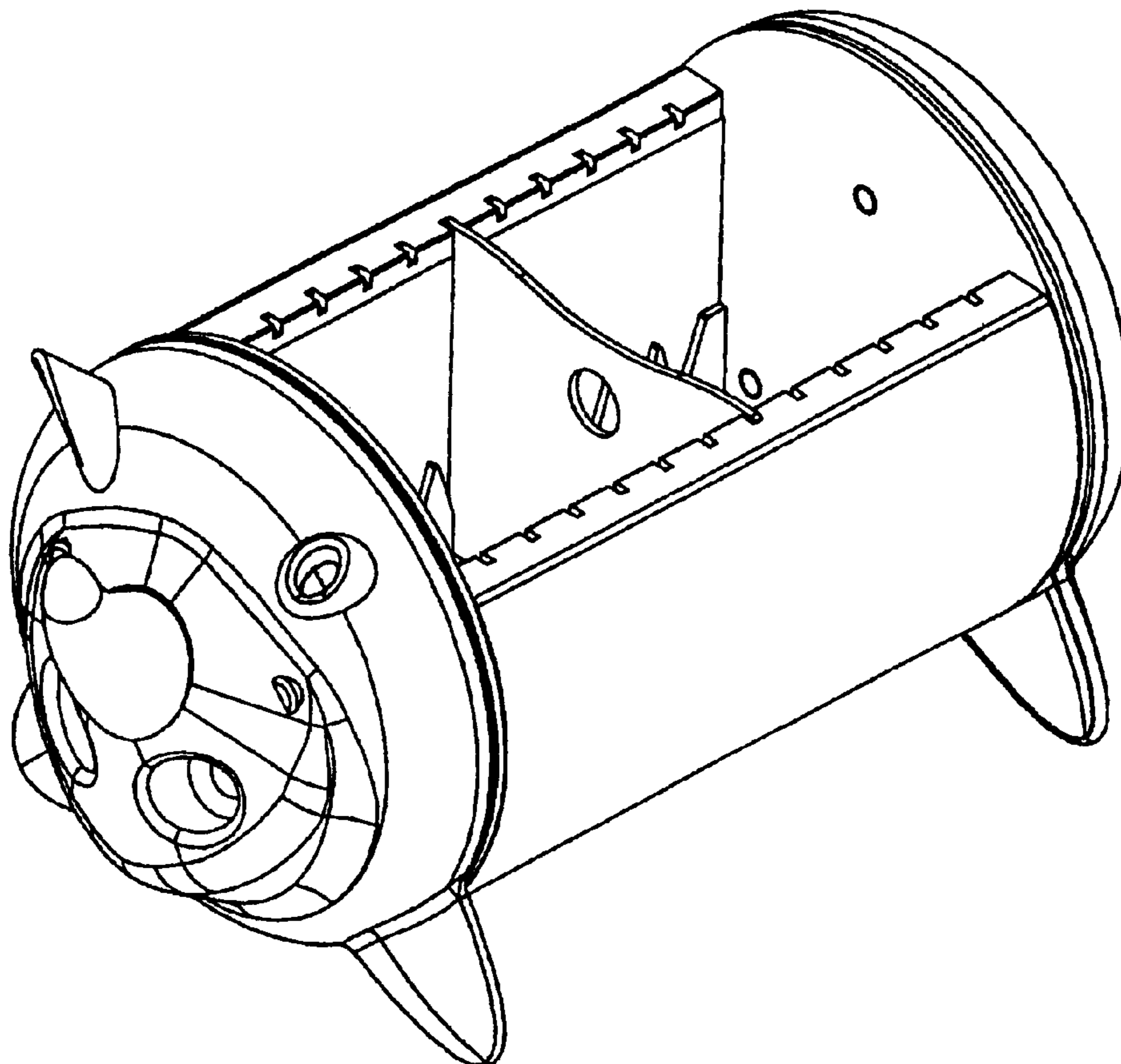
FIG. 4 is a right side view thereof;

FIG. 5 is a top plan view thereof;

FIG. 6 is a bottom view thereof; and,

FIG. 7 is a perspective view thereof.

**1 Claim, 4 Drawing Sheets**



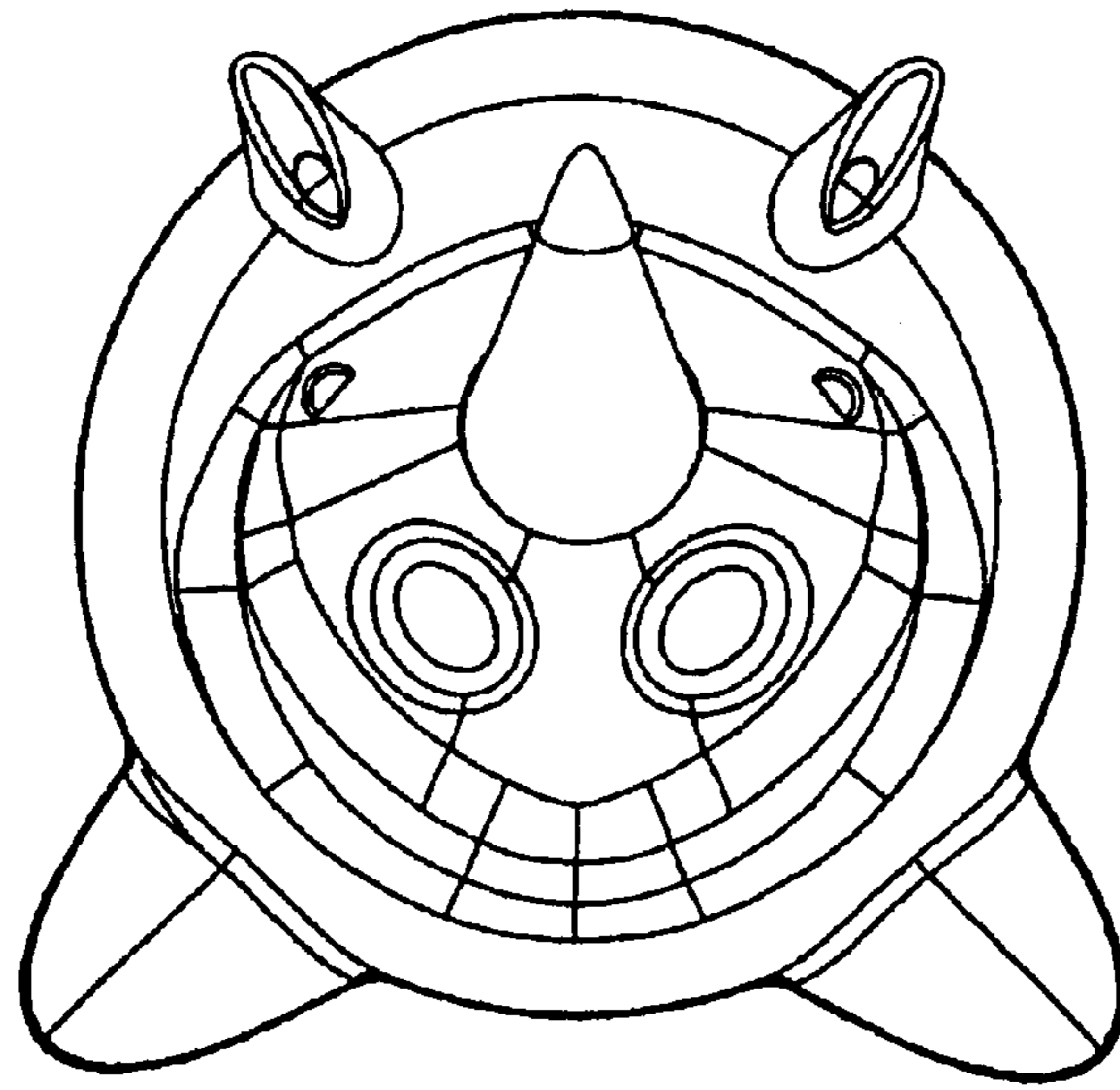


FIG. 1

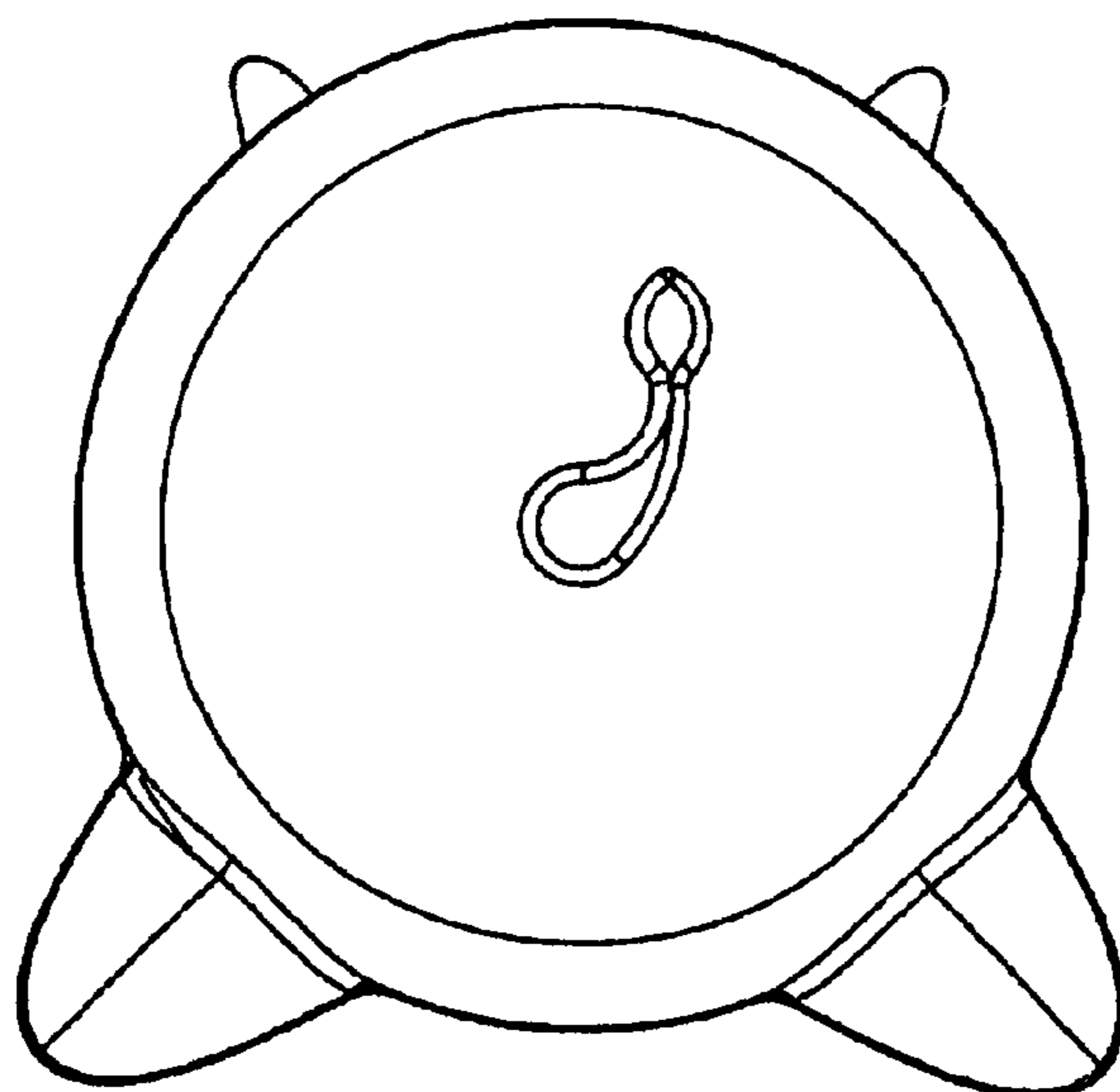


FIG. 2

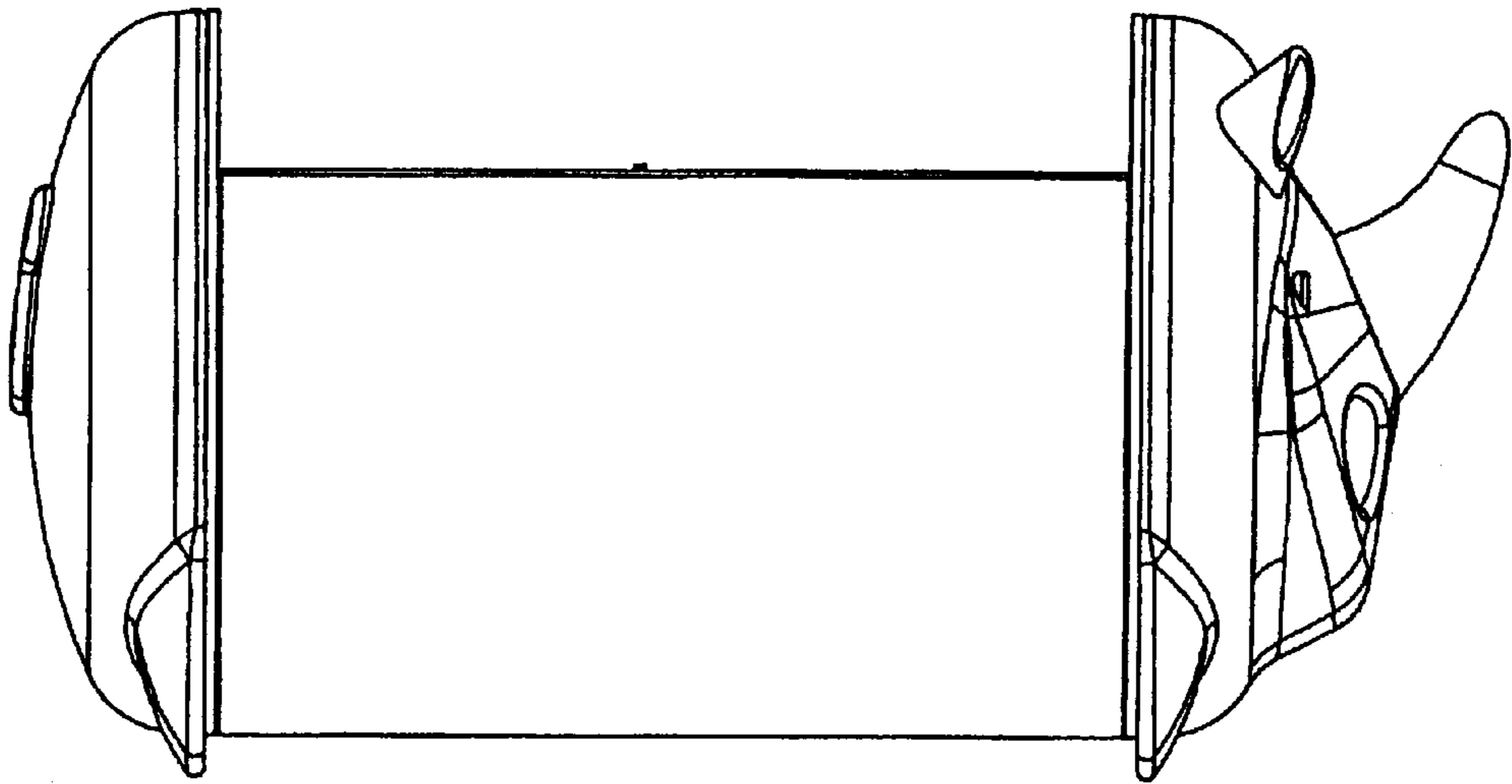


FIG. 3

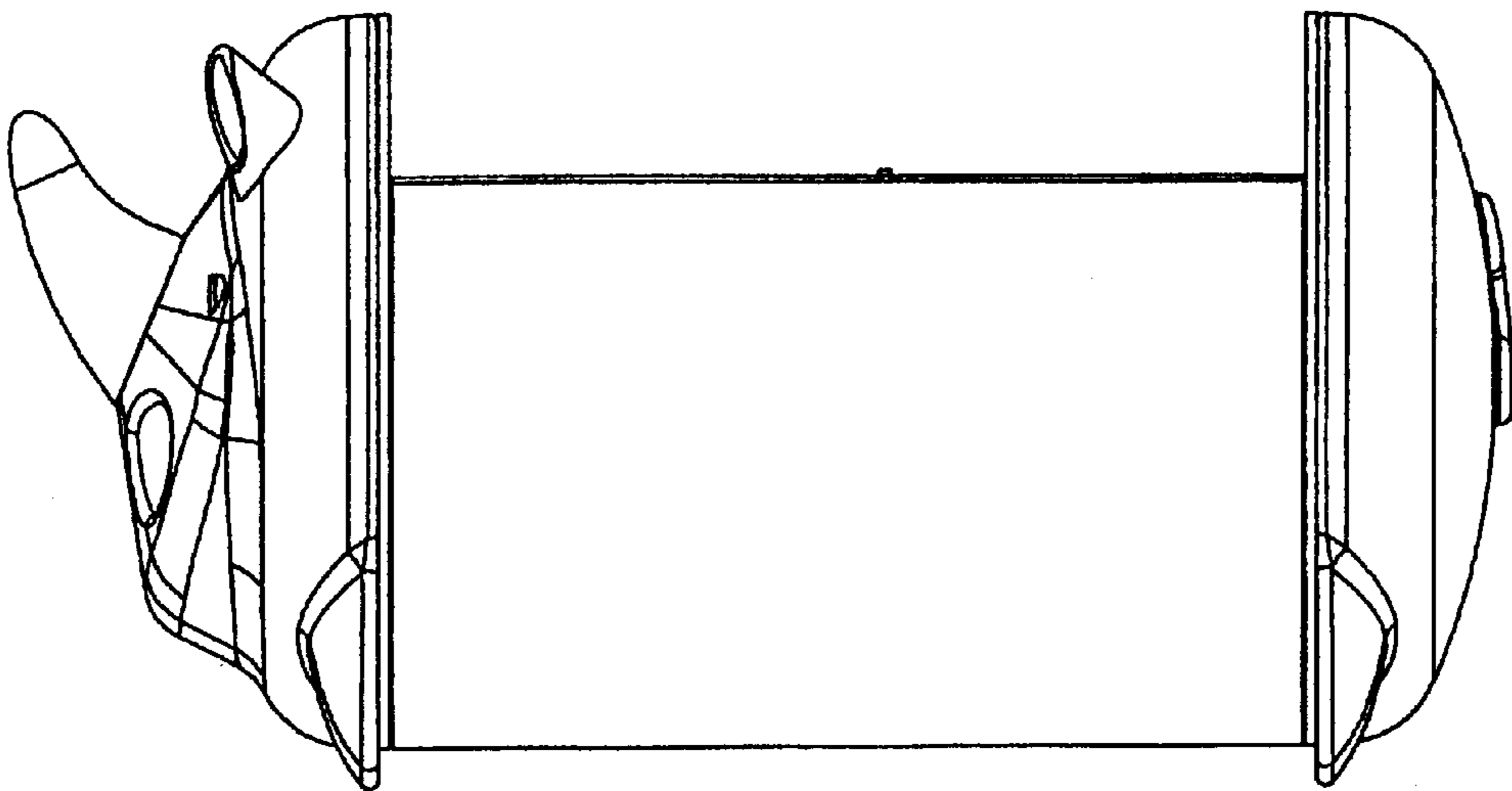


FIG. 4

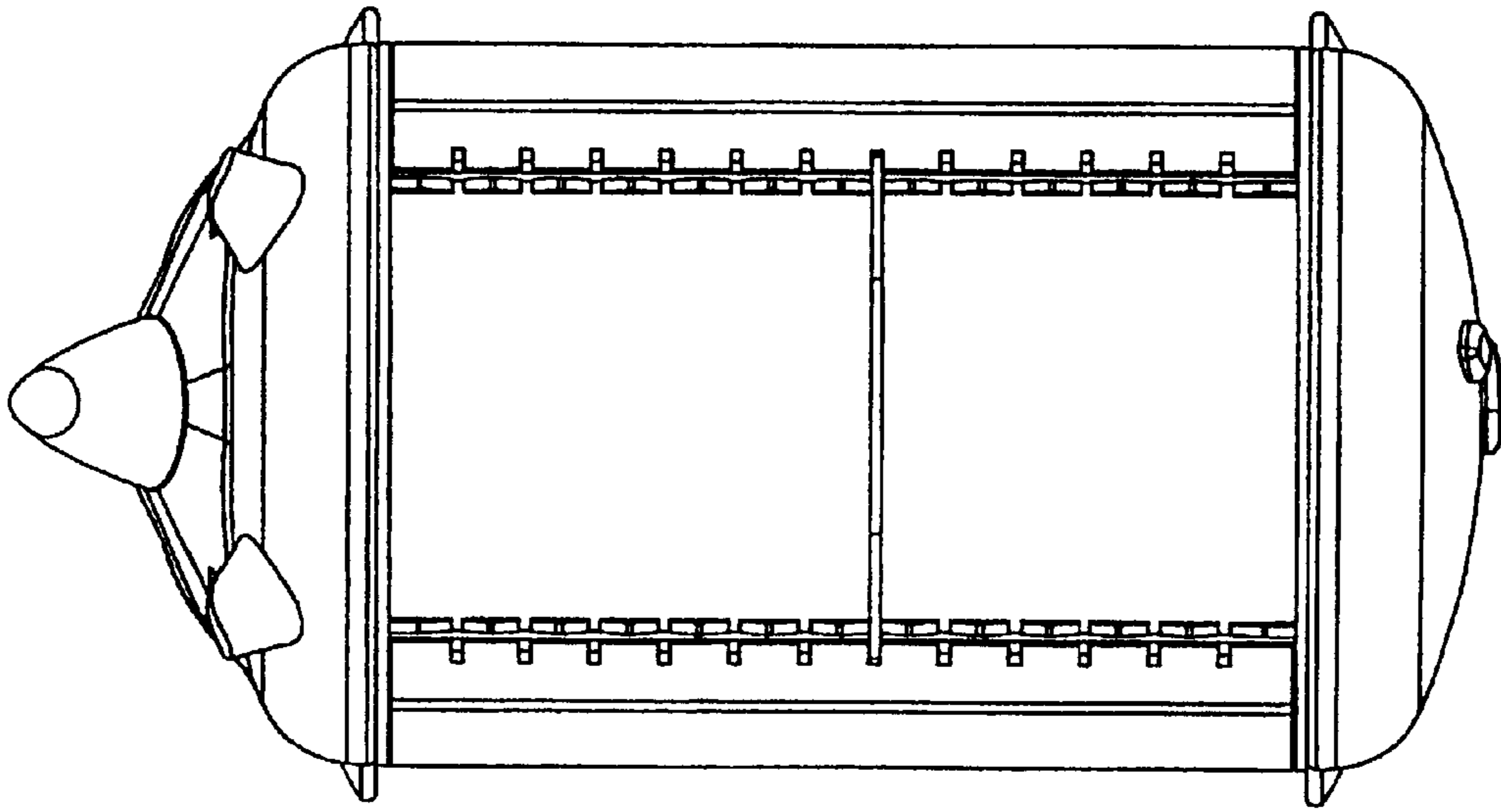


FIG. 5

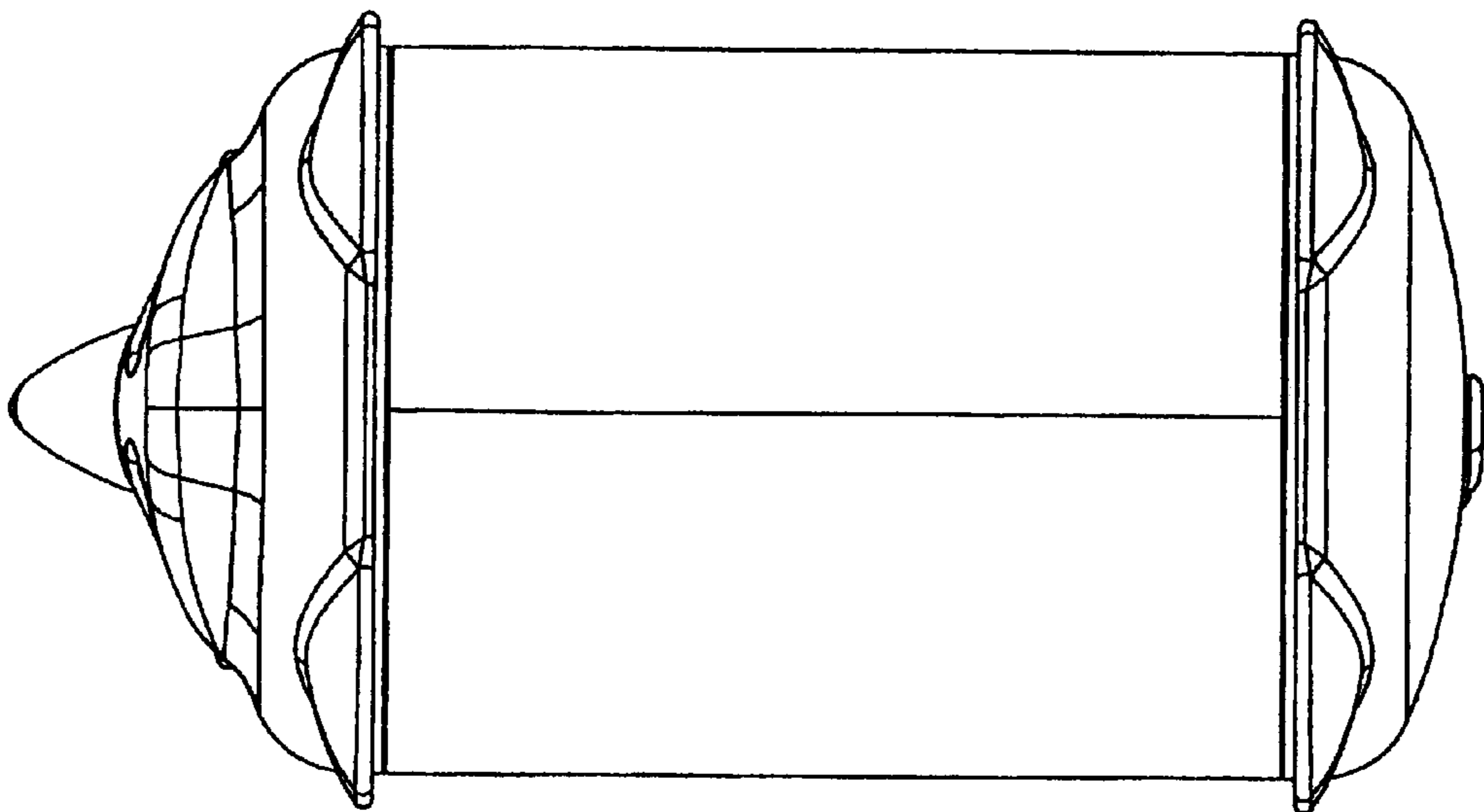


FIG. 6

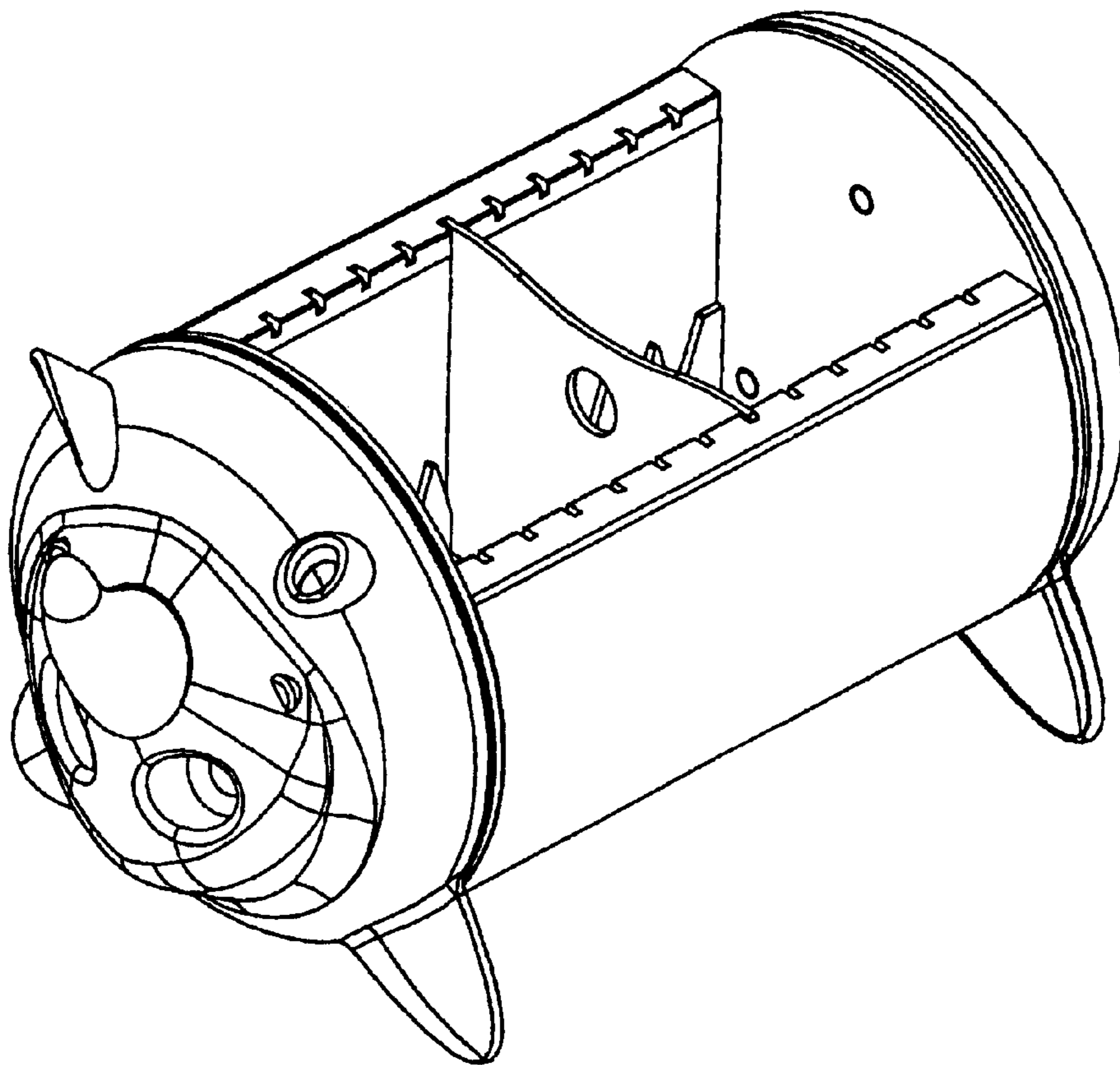


FIG. 7