



US00D478895S

(12) **United States Design Patent**
Oikawa

(10) **Patent No.:** **US D478,895 S**

(45) **Date of Patent:** **** Aug. 26, 2003**

(54) **REMOTE CONTROLLER**

D463,421 S * 9/2002 Lanzaro et al. D14/341

(75) Inventor: **Yuji Oikawa**, Tokyo (JP)

(73) Assignee: **Sony Corporation**, Tokyo (JP)

(**) Term: **14 Years**

(21) Appl. No.: **29/157,554**

(22) Filed: **Mar. 22, 2002**

(51) **LOC (7) Cl.** **14-03**

(52) **U.S. Cl.** **D14/218**

(58) **Field of Search** D14/174, 217,
D14/218, 137-139, 151, 191-193, 341,
299, 167, 168, 371, 322, 340, 335, 339;
D13/168, 162-164; D21/512-517, 566;
D10/104, 106; 455/352-355, 151.1-151.4;
348/114, 734; 345/173, 905

OTHER PUBLICATIONS

The Sharper Image 2001 Inside front cover, remote control for robot Ex. D. Levy CM1-4B19.*

Catalog "System Stereo <http://www.sony.co.jp/Sonyaudio/>", p. 22, Sony Corporation (Sep. 2001).

* cited by examiner

Primary Examiner—Louis S. Zarfes

Assistant Examiner—Deanne Levy

(74) *Attorney, Agent, or Firm*—Rader, Fishman & Grauer PLLC

(57) **CLAIM**

The ornamental design for a remote controller, as shown and described.

DESCRIPTION

FIG. 1 is a perspective view of a remote controller showing my new design;

FIG. 2 is a front elevational view thereof;

FIG. 3 is a rear elevational view thereof;

FIG. 4 is a left side elevational view thereof;

FIG. 5 is a right side elevational view thereof;

FIG. 6 is a top plan view thereof; and,

FIG. 7 is a bottom plan view thereof.

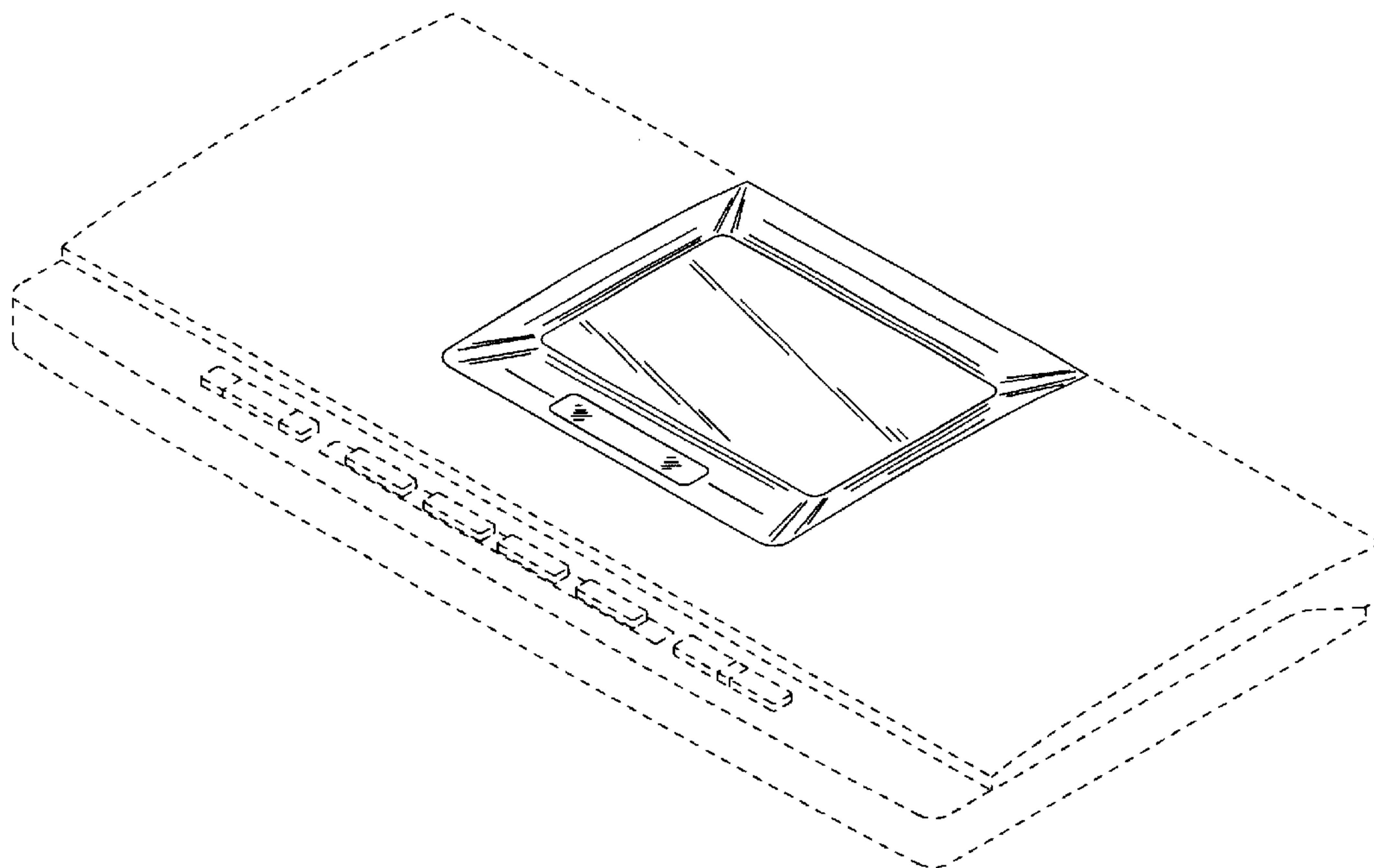
The broken line showing of the housing of the remote controller is for illustrative purposes only and forms no part of the claimed design.

(56) **References Cited**

U.S. PATENT DOCUMENTS

D265,571 S	*	7/1982	Nagel	D21/329
D328,076 S	*	7/1992	Hagiwara	D14/241
D391,926 S	*	3/1998	Brunner et al.	D14/340
D403,603 S	*	1/1999	Kondo et al.	D10/31
D405,797 S		2/1999	Uehara		
D409,606 S		5/1999	Syudo		
D416,253 S	*	11/1999	Hibino	D14/138
D417,657 S	*	12/1999	Matsumoto	D14/343
D423,508 S		4/2000	Nakajima		
D424,060 S	*	5/2000	Baker et al.	D14/218
D457,821 S	*	5/2002	Amborn et al.	D10/49

1 Claim, 4 Drawing Sheets



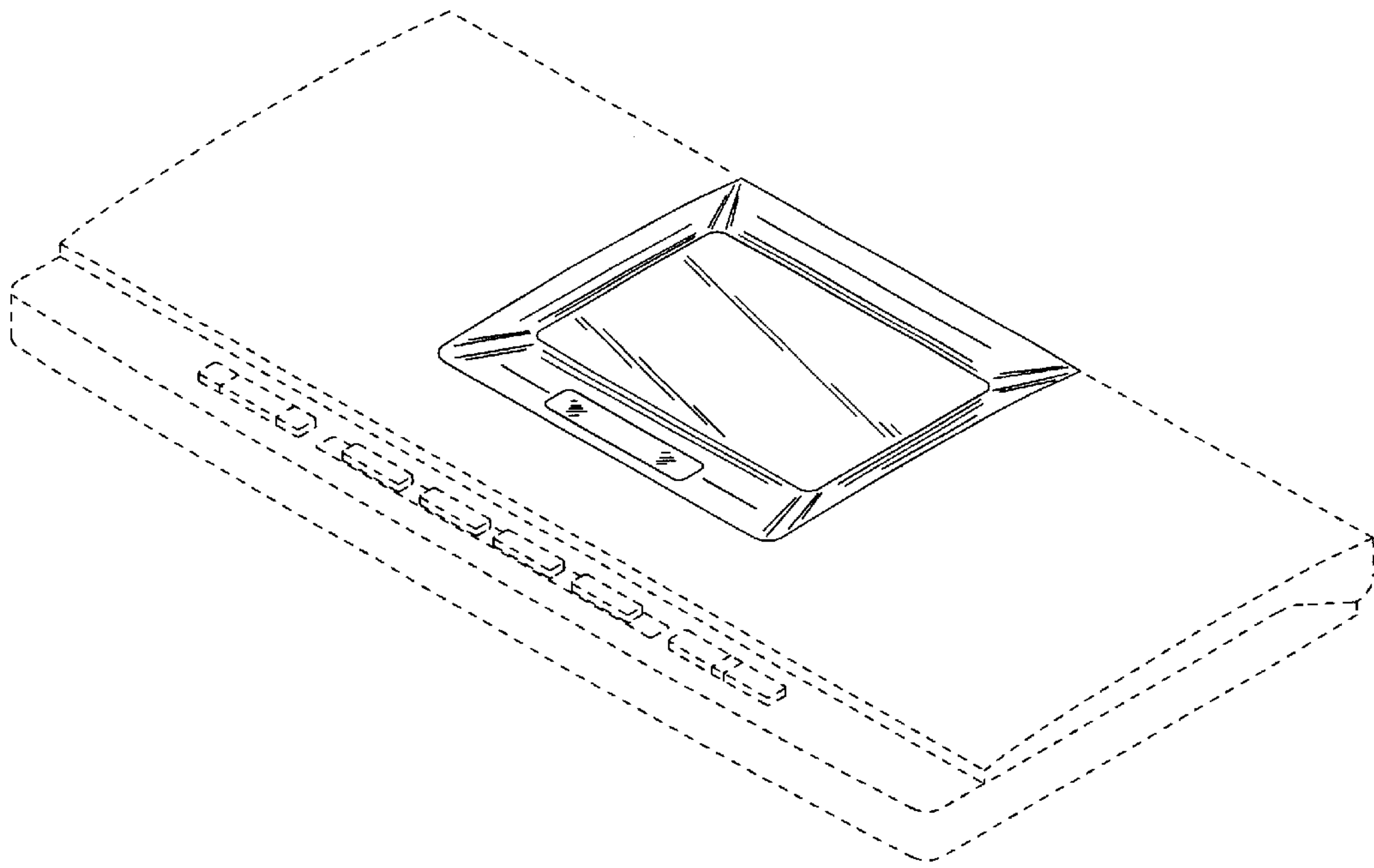


Fig. 1

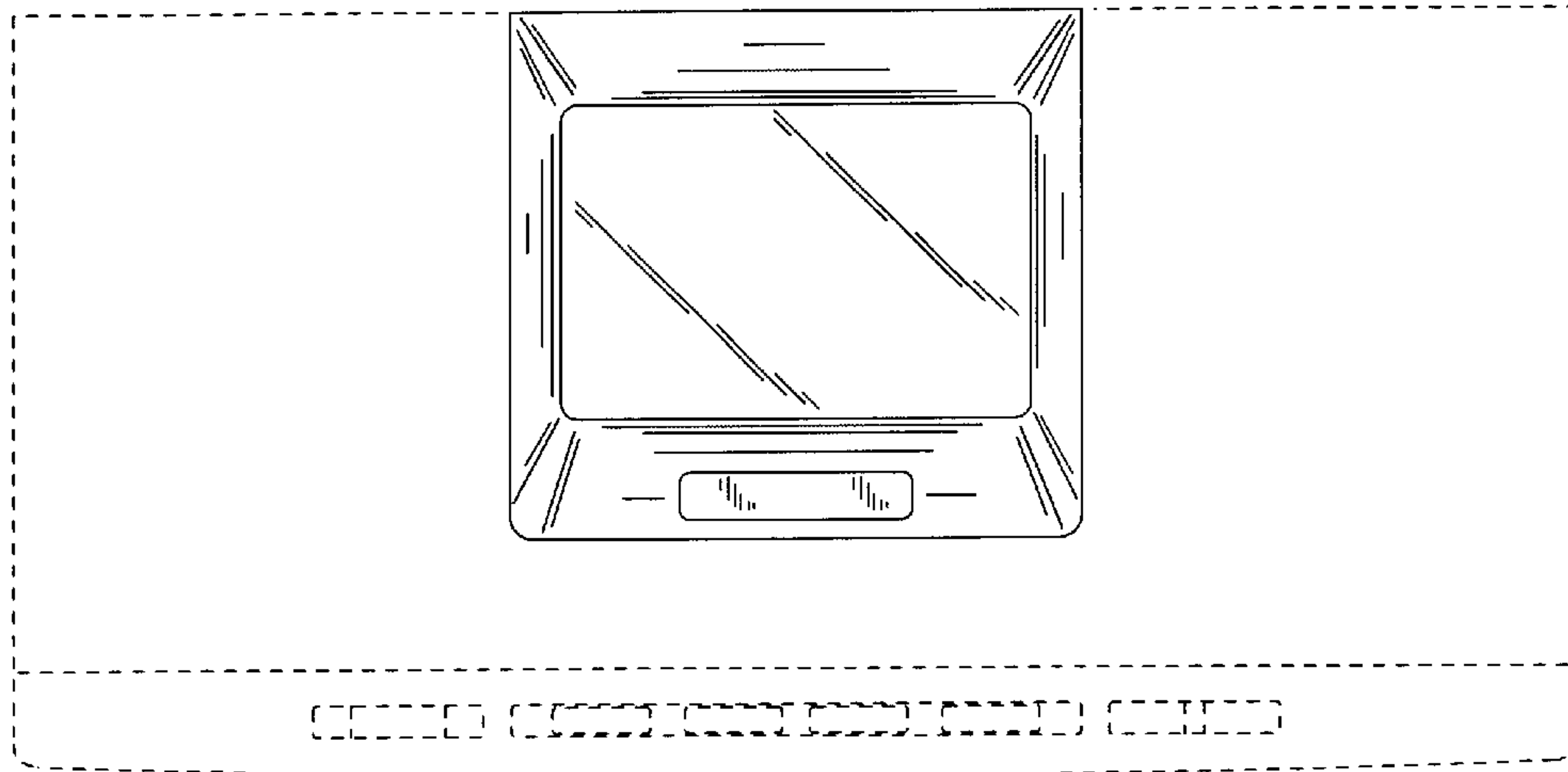


Fig. 2

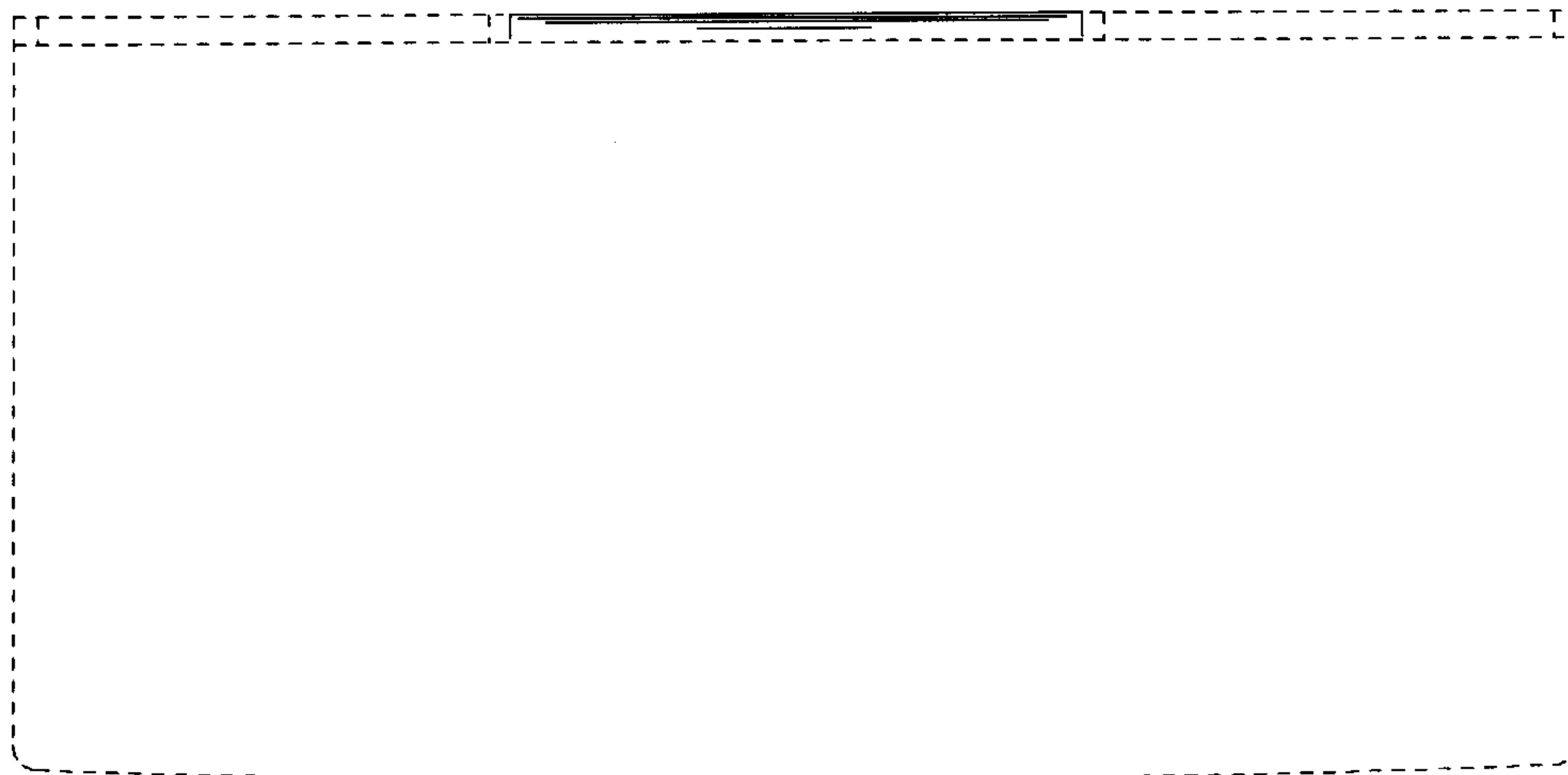


Fig. 3

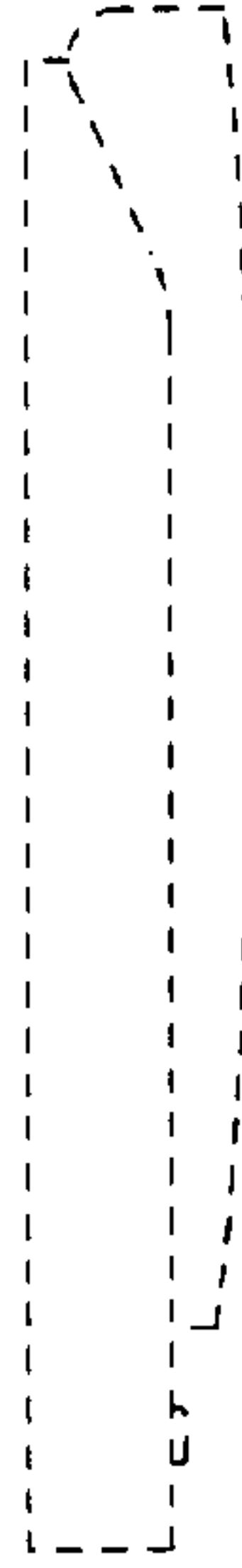


Fig. 4

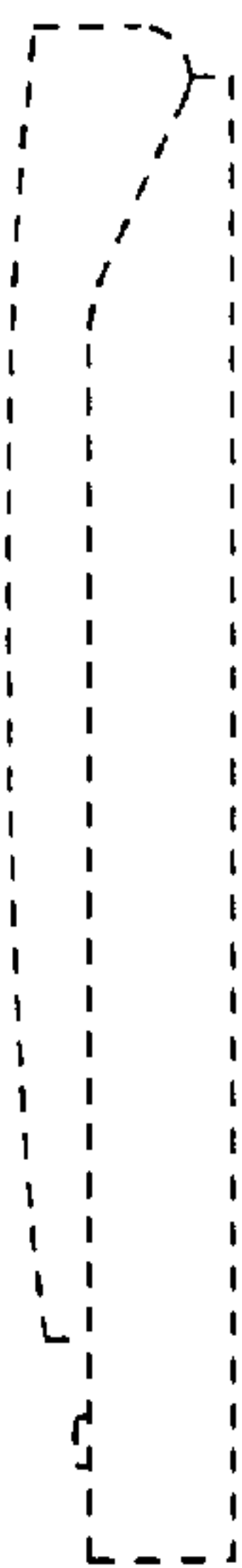


Fig. 5

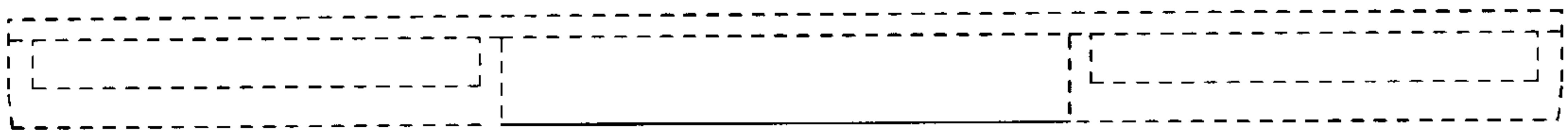


Fig. 6

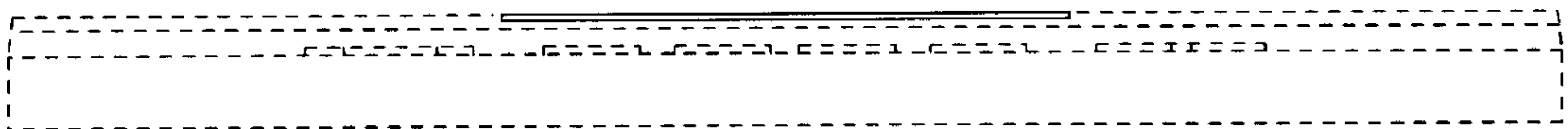


Fig. 7