



US00D478894S

(12) **United States Design Patent**  
**Oikawa**

(10) **Patent No.:** **US D478,894 S**

(45) **Date of Patent:** **\*\* Aug. 26, 2003**

(54) **REMOTE CONTROLLER**

(75) Inventor: **Yuji Oikawa**, Tokyo (JP)

(73) Assignee: **Sony Corporation**, Tokyo (JP)

(\*\*) Term: **14 Years**

(21) Appl. No.: **29/157,544**

(22) Filed: **Mar. 22, 2002**

(51) **LOC (7) Cl.** ..... **14-03**

(52) **U.S. Cl.** ..... **D14/218**

(58) **Field of Search** ..... D14/174, 217,  
D14/218, 137-139, 151, 191-193, 299,  
167, 168; D13/168, 162-164; D21/512-517,  
566; D10/104, 106; 455/352-355, 151.1-151.4;  
348/114, 734

(56) **References Cited**

**U.S. PATENT DOCUMENTS**

D254,007 S	*	1/1980	Hampf	.....	D14/247
D336,053 S	*	6/1993	Hayes et al.	.....	D10/106
D348,268 S	*	6/1994	Chambers	.....	D14/218
D400,539 S	*	11/1998	Hippen	.....	D14/218

D405,797 S	2/1999	Uehara
D409,606 S	5/1999	Syudo
D423,508 S	4/2000	Nakajima

\* cited by examiner

*Primary Examiner*—Louis S. Zarfes

*Assistant Examiner*—Deanne Levy

(74) *Attorney, Agent, or Firm*—Rader, Fishman & Grauer PLLC

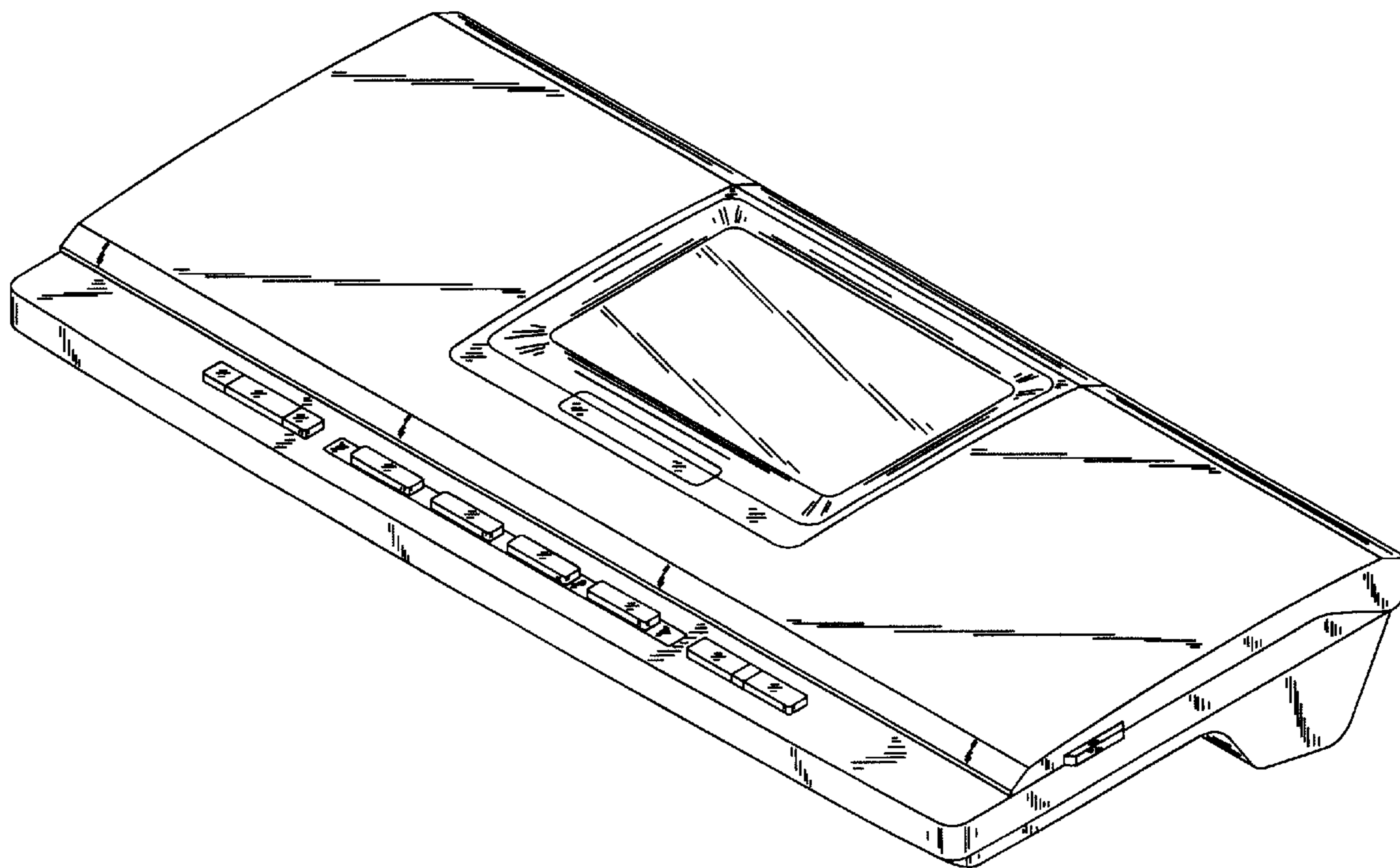
(57) **CLAIM**

The ornamental design for a remote controller, as shown and described.

**DESCRIPTION**

FIG. 1 is a perspective view of a remote controller showing my new design;  
FIG. 2 is a front elevational view thereof;  
FIG. 3 is a rear elevational view thereof;  
FIG. 4 is a left side elevational view thereof;  
FIG. 5 is a right side elevational view thereof;  
FIG. 6 is a top plan view thereof; and,  
FIG. 7 is a bottom plan view thereof.

**1 Claim, 4 Drawing Sheets**



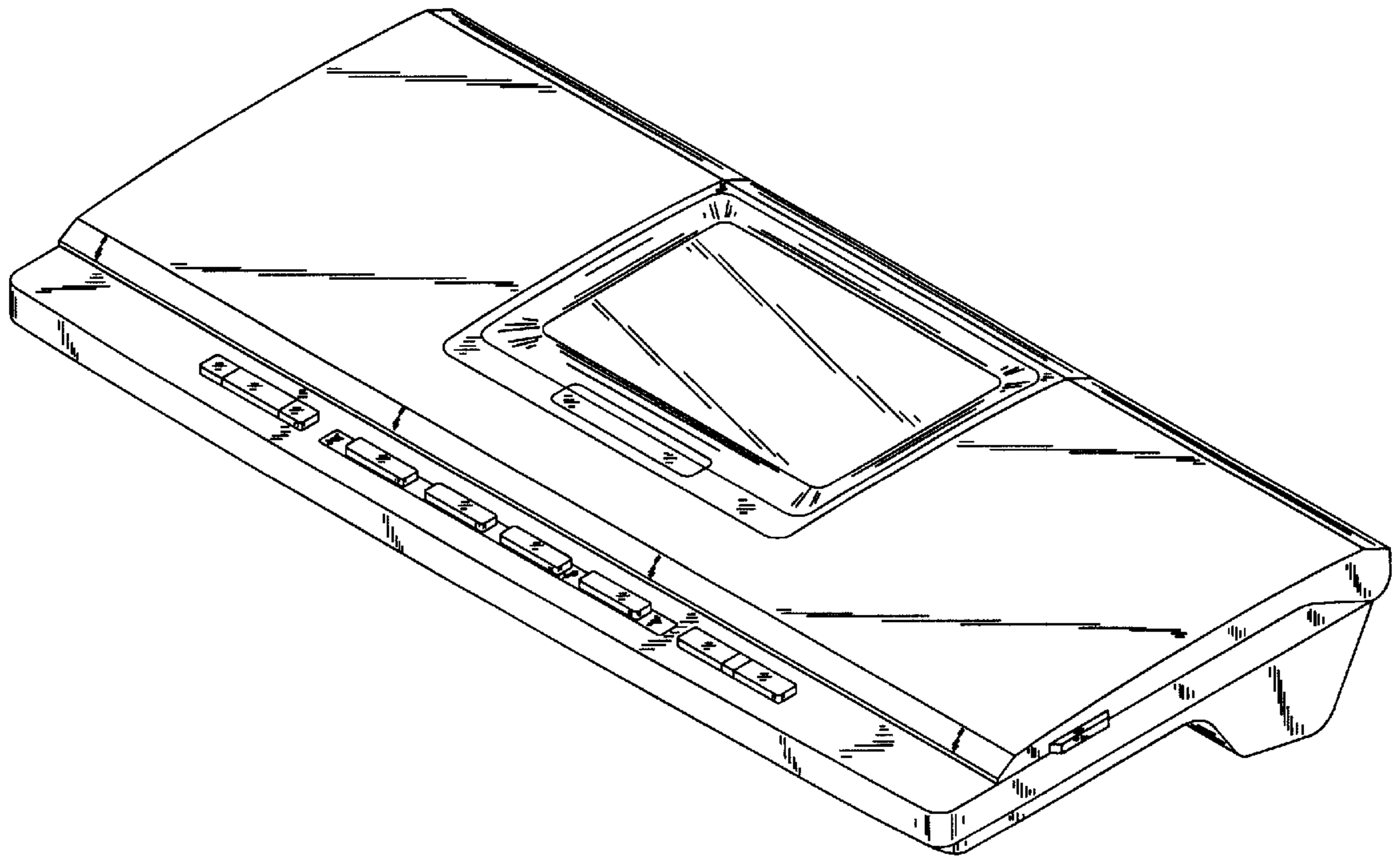
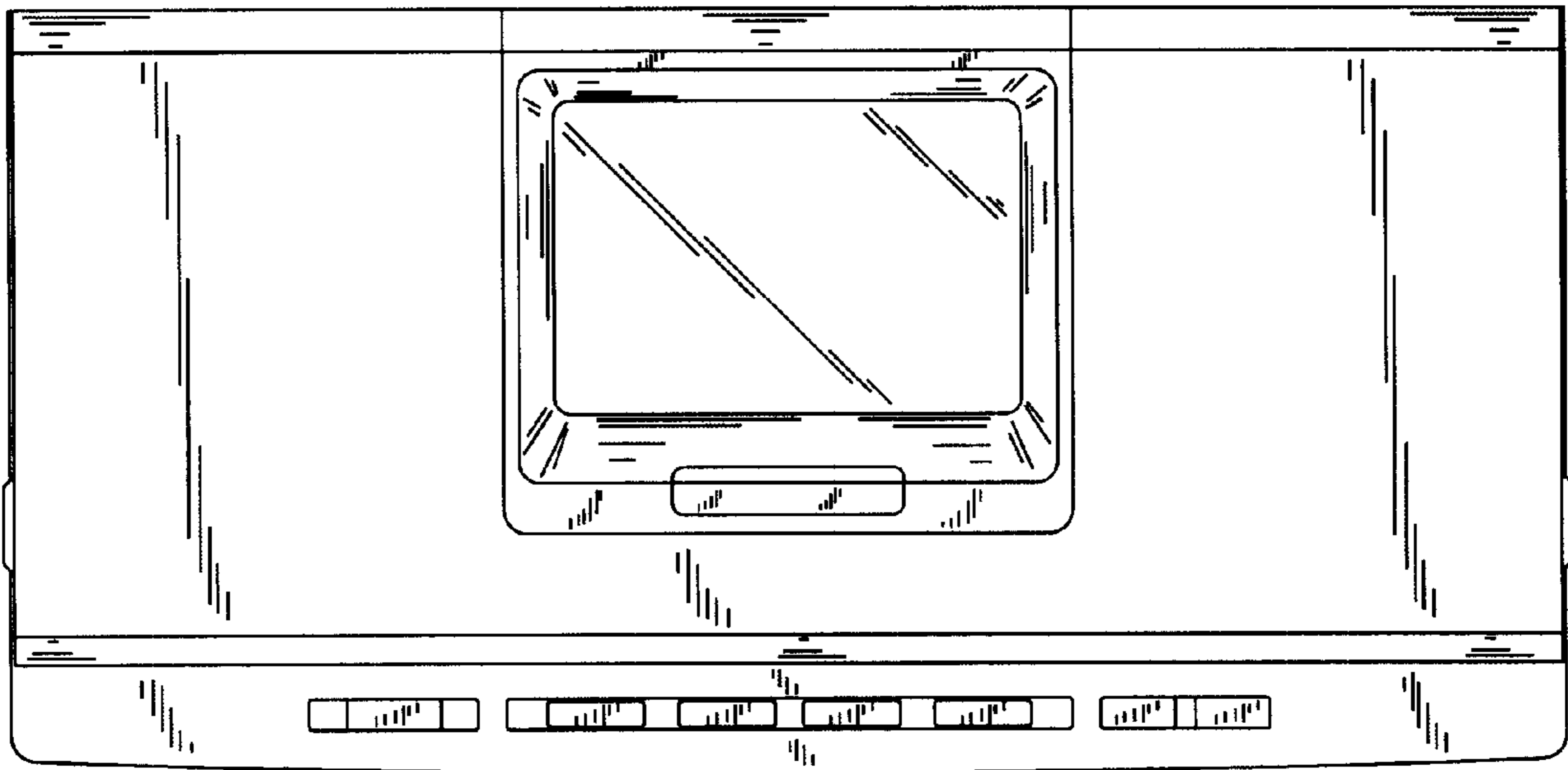
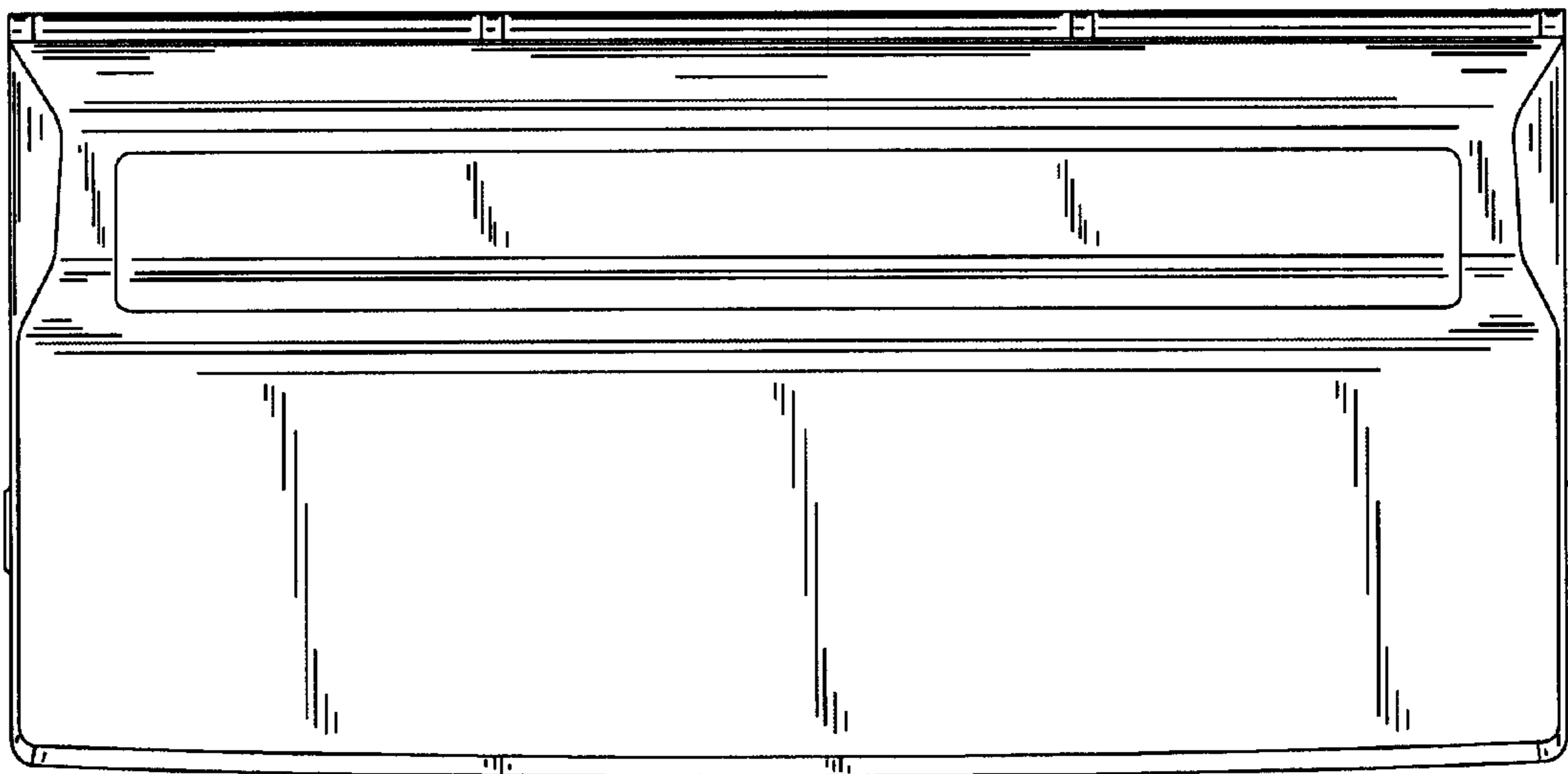


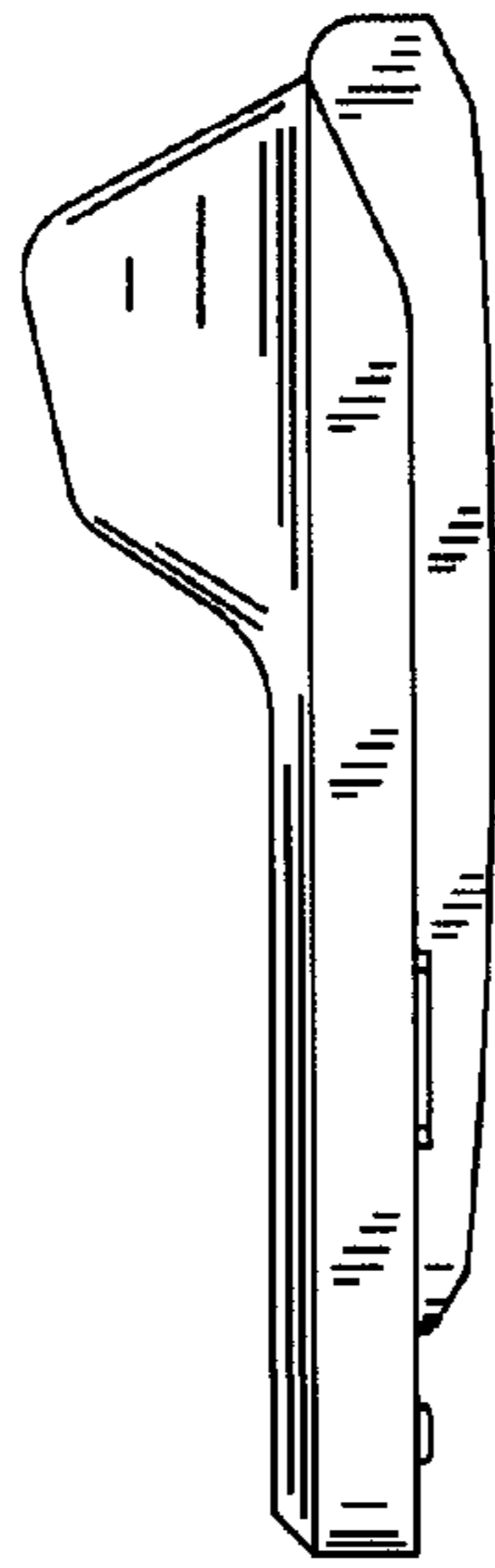
Fig. 1



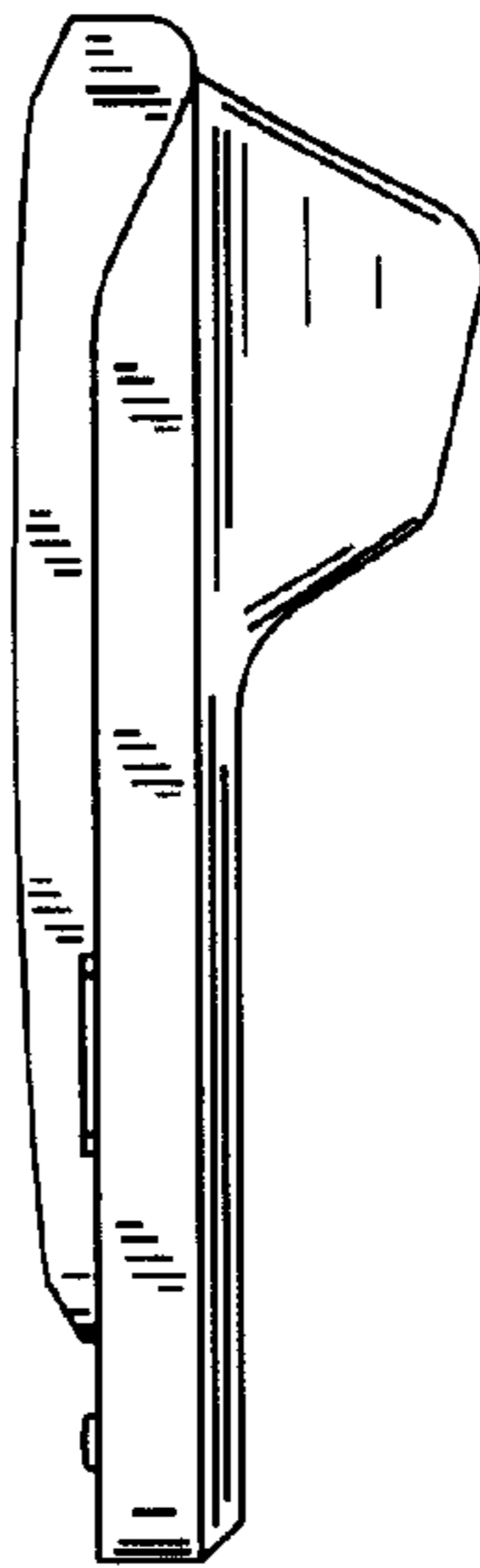
**Fig. 2**



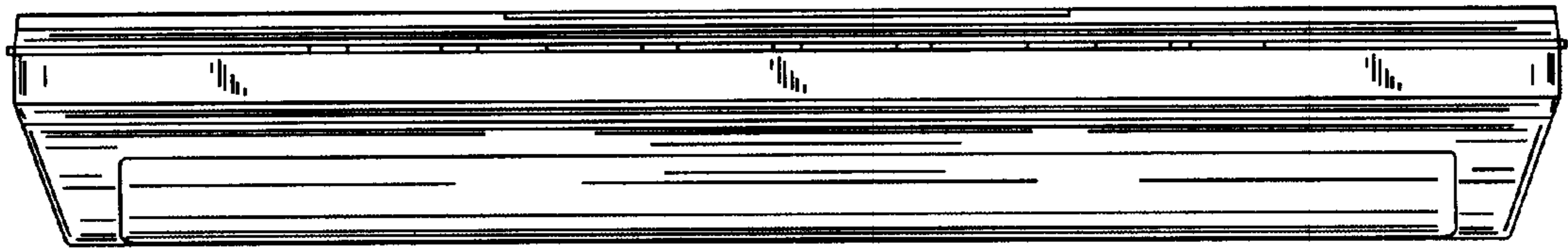
**Fig. 3**



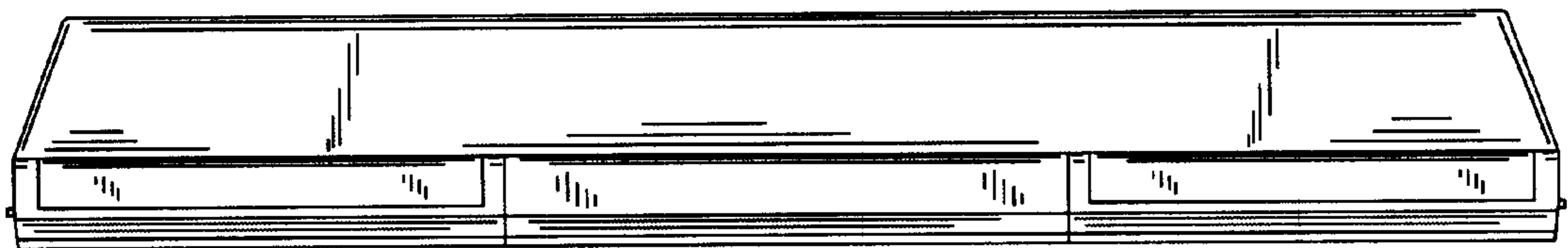
**Fig. 4**



**Fig. 5**



**Fig. 6**



**Fig. 7**