



US00D478886S

(12) **United States Design Patent**
Christianson

(10) **Patent No.:** **US D478,886 S**

(45) **Date of Patent:** **** Aug. 26, 2003**

(54) **CD PLAYER**

(75) Inventor: **Tristan M. Christianson**, San Francisco, CA (US)

(73) Assignee: **Sharper Image Corporation**, San Francisco, CA (US)

(**) Term: **14 Years**

(21) Appl. No.: **29/168,839**

(22) Filed: **Oct. 9, 2002**

(51) **LOC (7) Cl.** **14-01**

(52) **U.S. Cl.** **D14/156**

(58) **Field of Search** D14/135-136,
D14/156-157, 160-164, 167-168, 188,
193-198, 257-258; 369/6-7, 75.1, 75.2,
77.1, 77.2; 455/344, 347, 350-351

(56) **References Cited**

U.S. PATENT DOCUMENTS

D244,053 S	*	4/1977	Van De Poel	D14/136
D379,009 S	*	4/1997	Osiecki	D14/167
D429,233 S	*	8/2000	Komiyama	D14/167
D447,519 S		9/2001	Pinchuk et al.		
D457,569 S		5/2002	Pinchuk		
D471,174 S	*	3/2003	Tsuge	D14/168

OTHER PUBLICATIONS

“The Sharper Image” catalog, published by Sharper Image Corporation “New Year 2003”, p.4 and p.5, CD Shower Companion Stereo AM/FM & CD-M.

Webpage download on Jan. 7, 2003 from www.sharperimage.com/“CD/MP3 Shower Companion with Radio/Alarm Clock and . . . #SI738GRY”.

Webpage download on Jan. 7, 2003 from www.sharperimage.com, “Single CD Shower Companion #SI538COB”.

* cited by examiner

Primary Examiner—Nanda Bondade

(74) *Attorney, Agent, or Firm*—Fliesler Dubb & Lovejoy LLP

(57) **CLAIM**

The ornamental design for CD player, as shown and described.

DESCRIPTION

FIG. 1 is a front closed perspective view of a CD player showing my new design;

FIG. 2 is a front closed view thereof;

FIG. 3 is a left closed side view thereof;

FIG. 4 is a right closed side view thereof;

FIG. 5 is a top closed view thereof;

FIG. 6 is a bottom closed view thereof;

FIG. 7 is a front open perspective view thereof;

FIG. 8 is a front open view thereof;

FIG. 9 is a left open side view thereof;

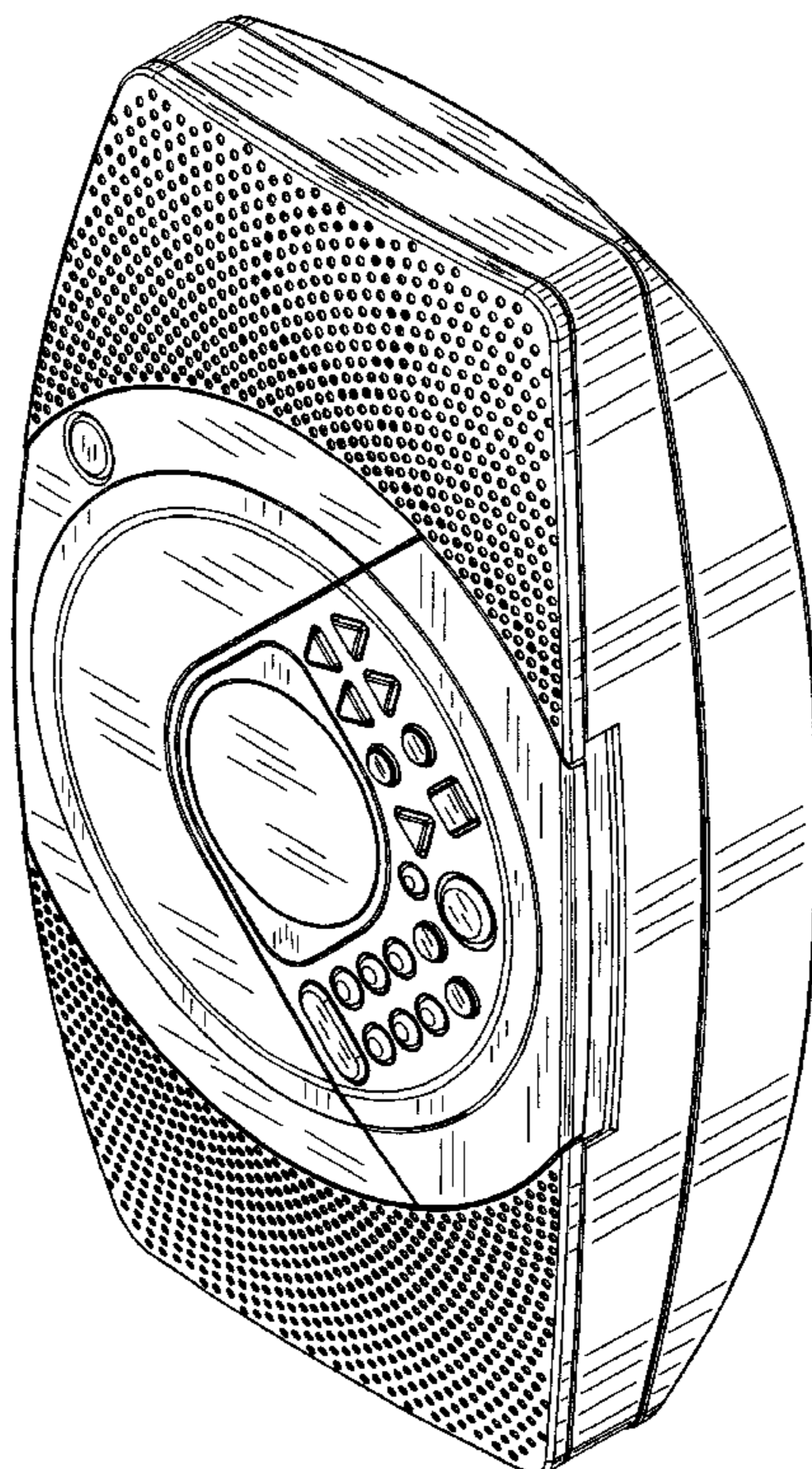
FIG. 10 is a right open side view thereof;

FIG. 11 is a top open view thereof; and,

FIG. 12 is a bottom open view thereof.

The rear view is flat and unornamented and forms no part of the design.

1 Claim, 9 Drawing Sheets



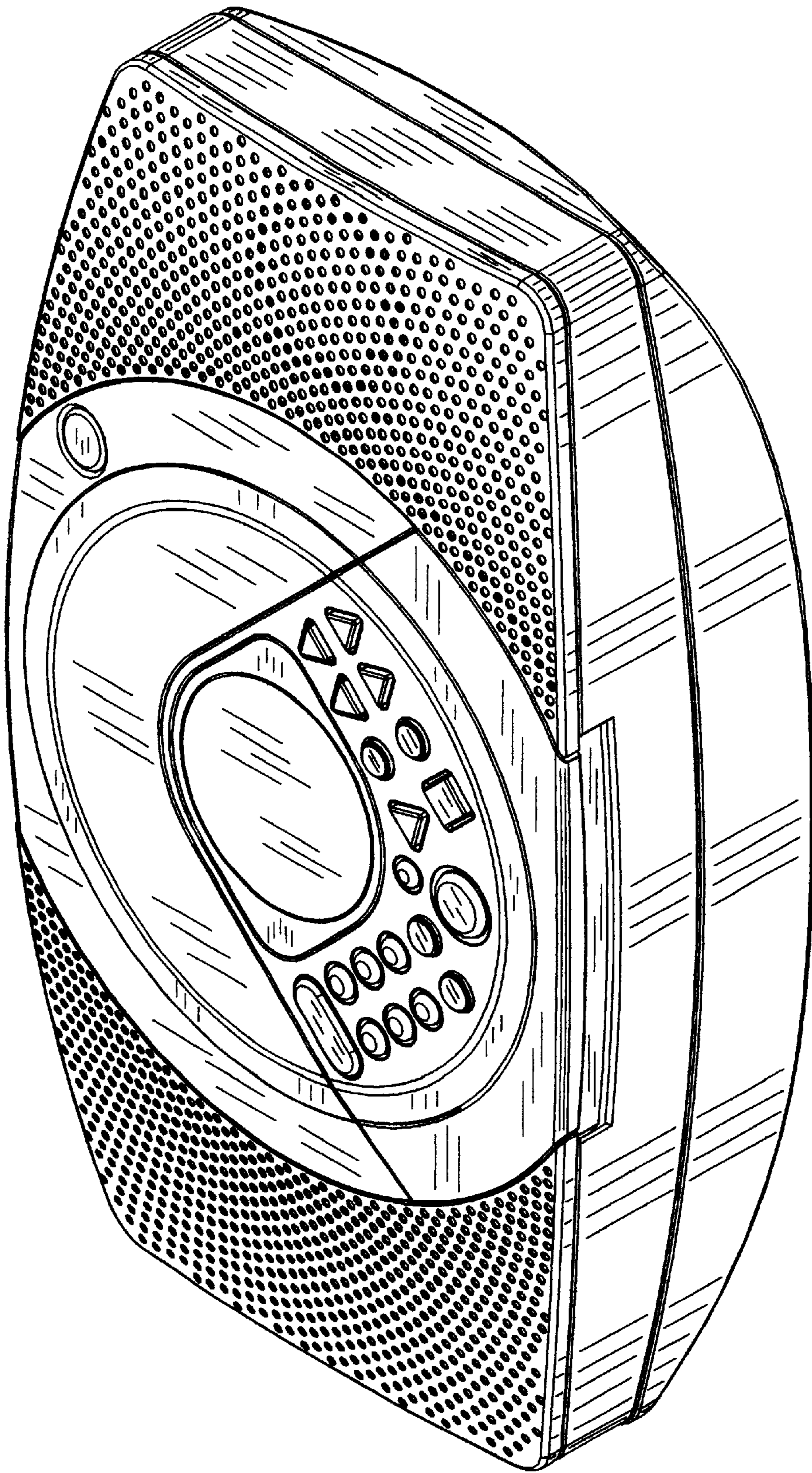


FIG. 1

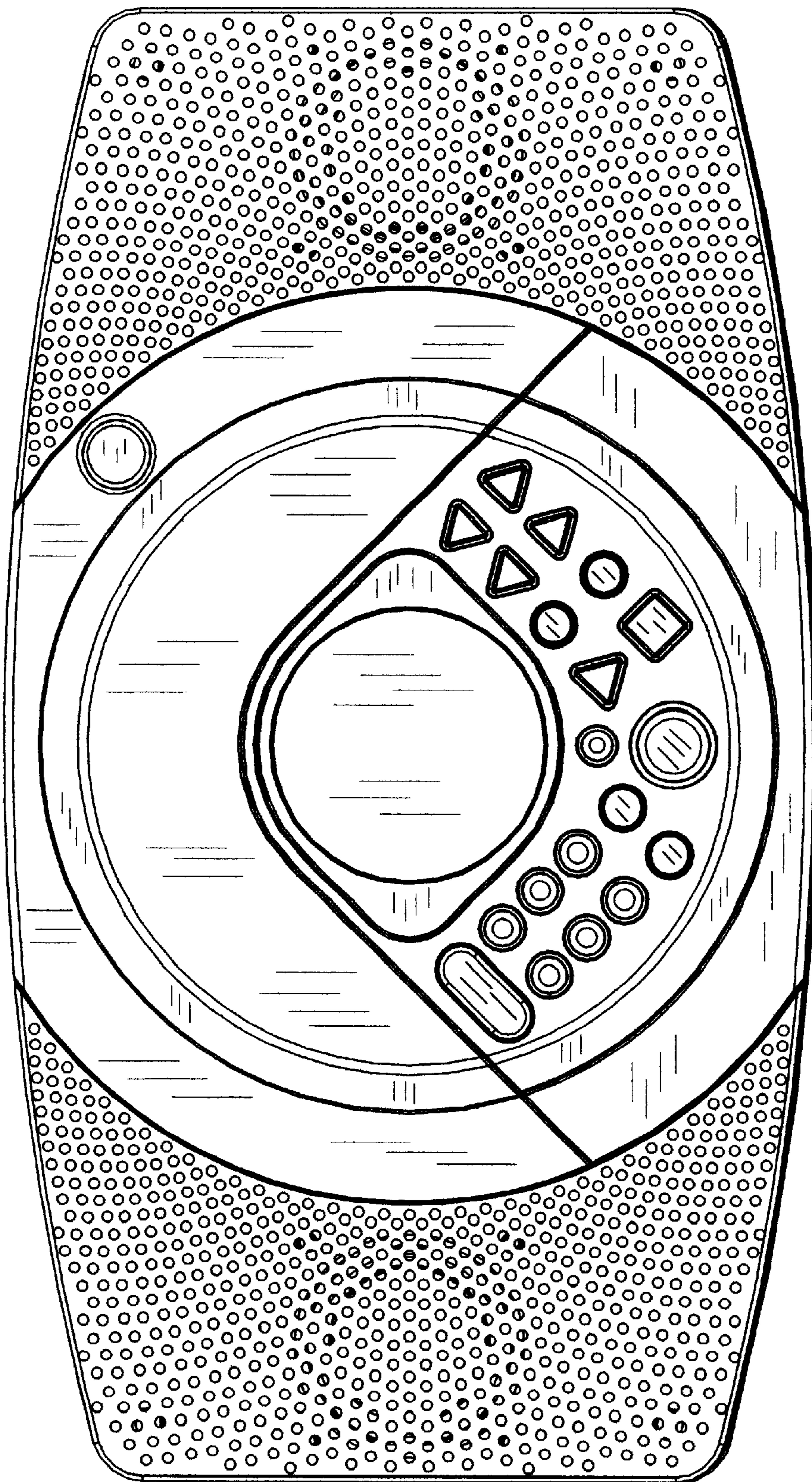


FIG. 2

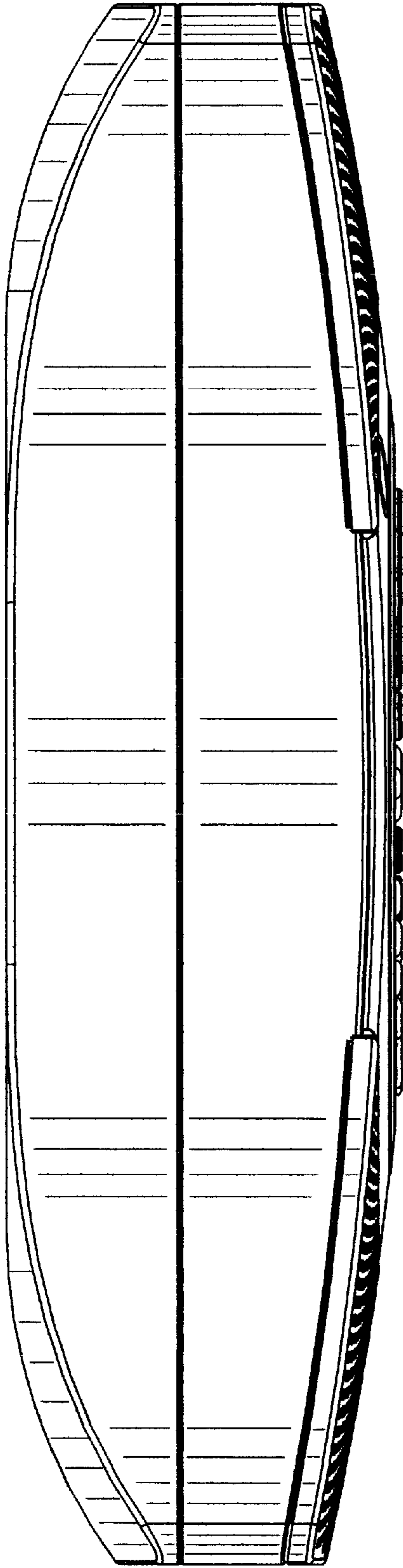


FIG. 3

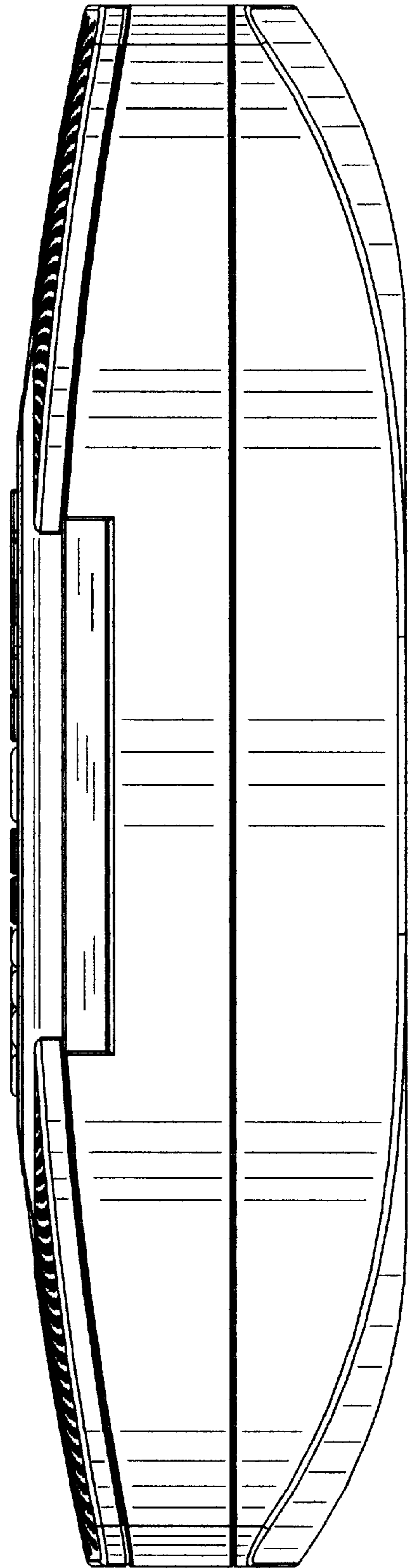


FIG. 4

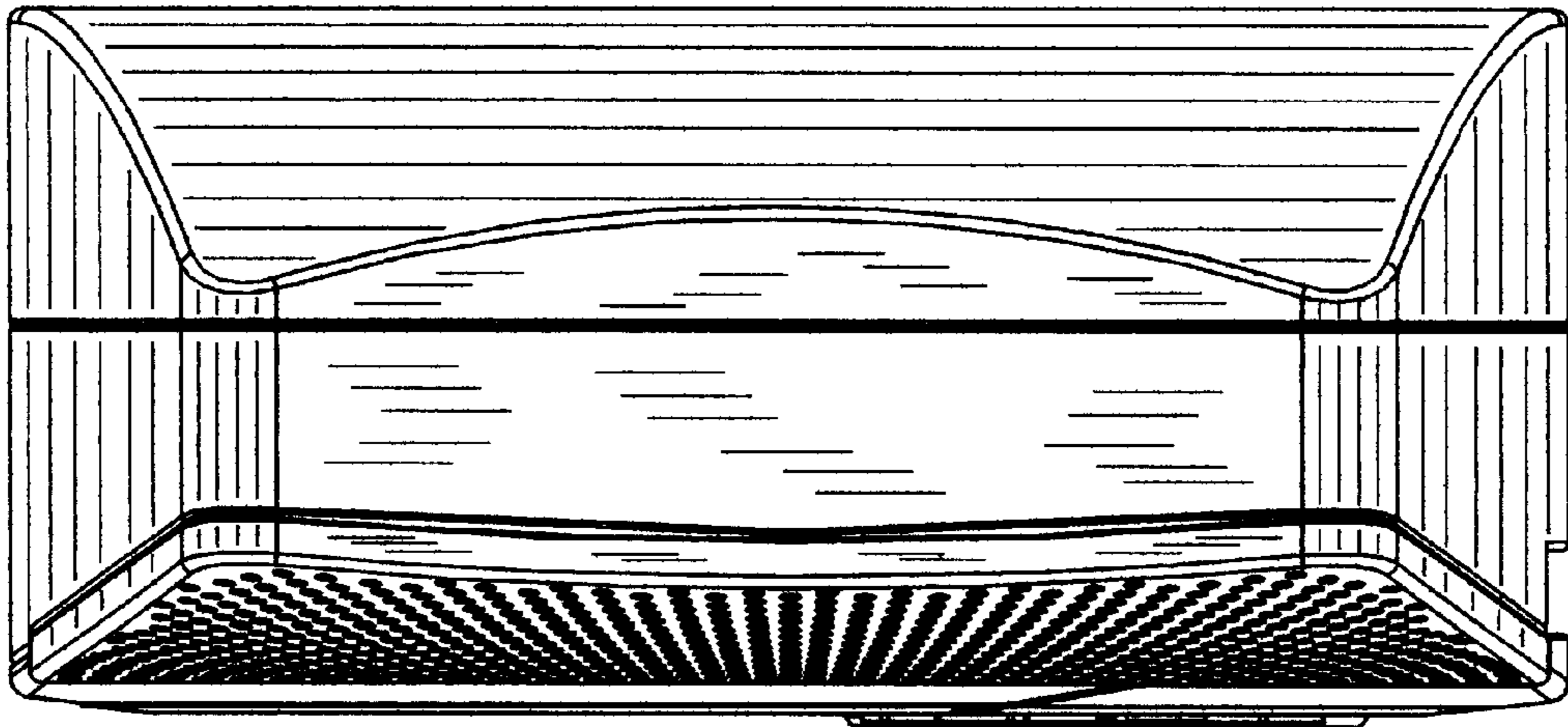


FIG. 5

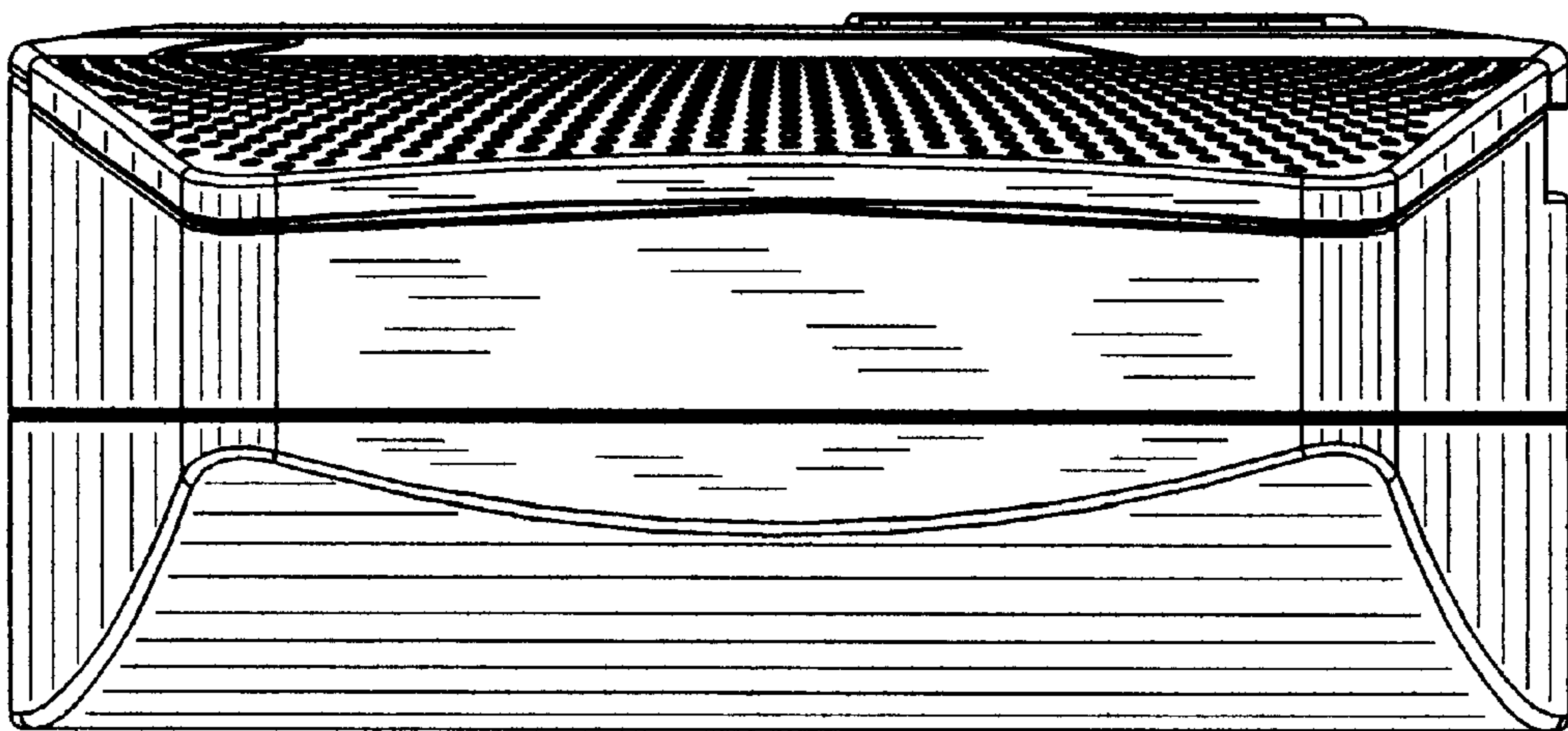


FIG. 6

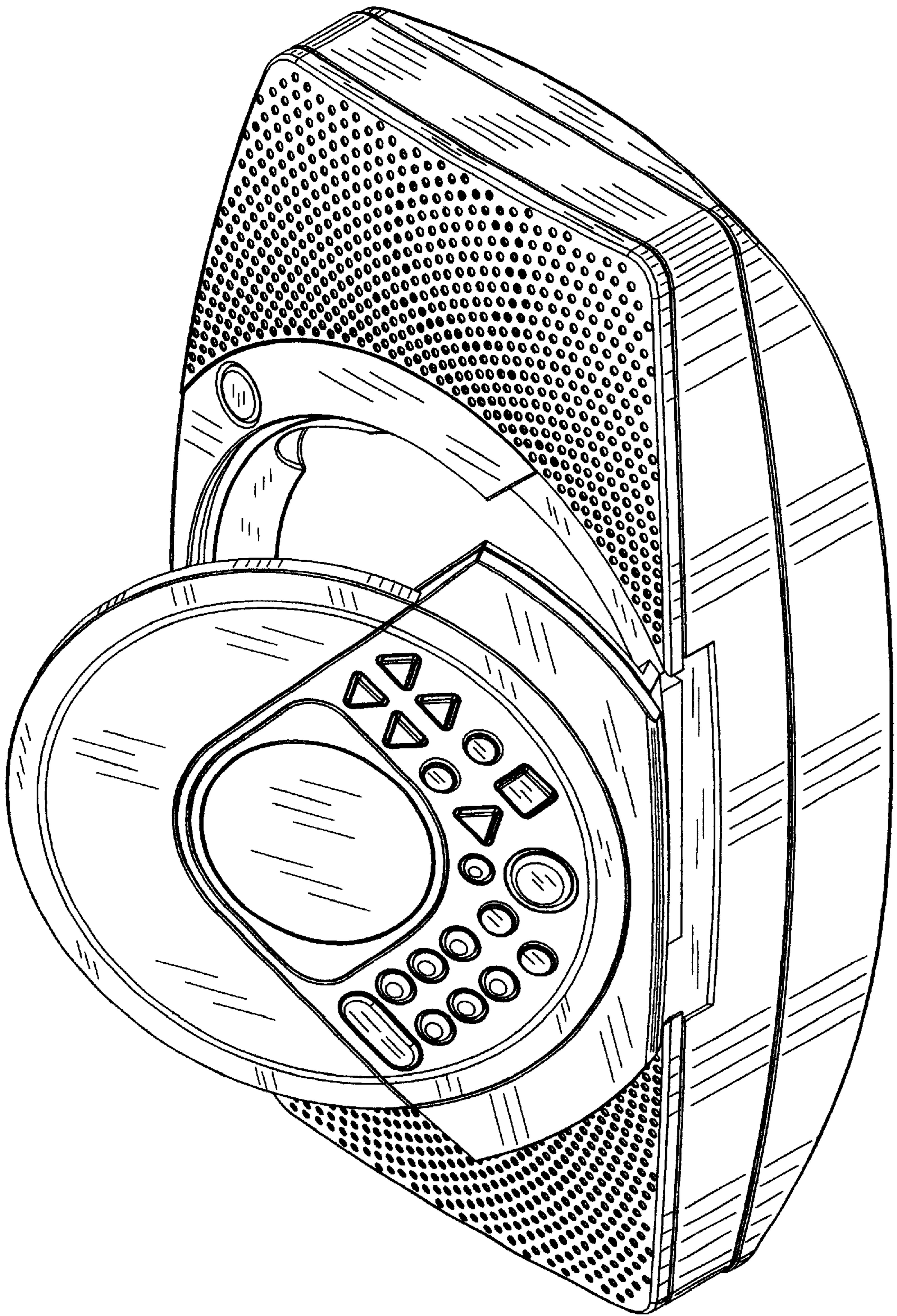


FIG. 7

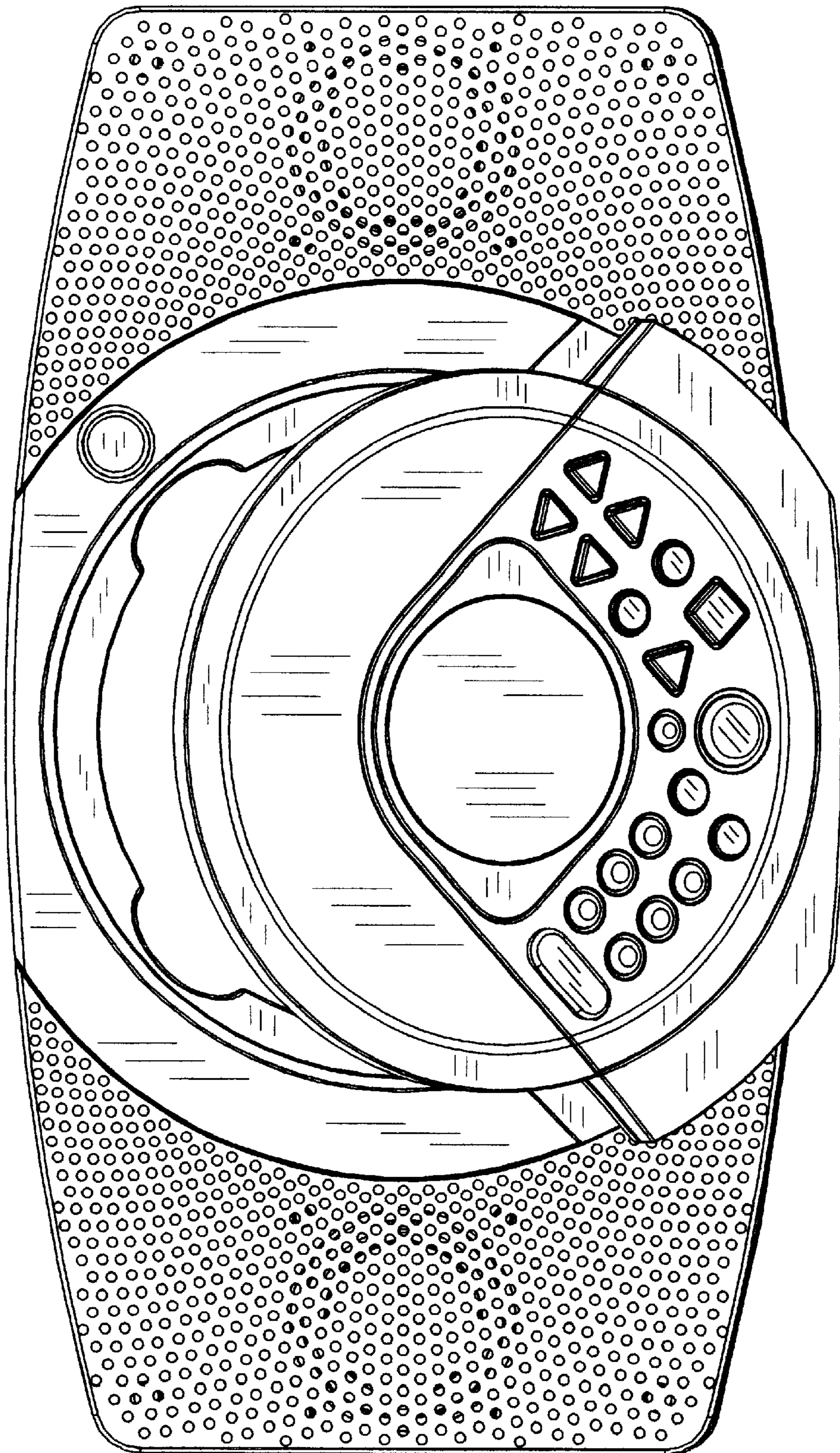


FIG. 8

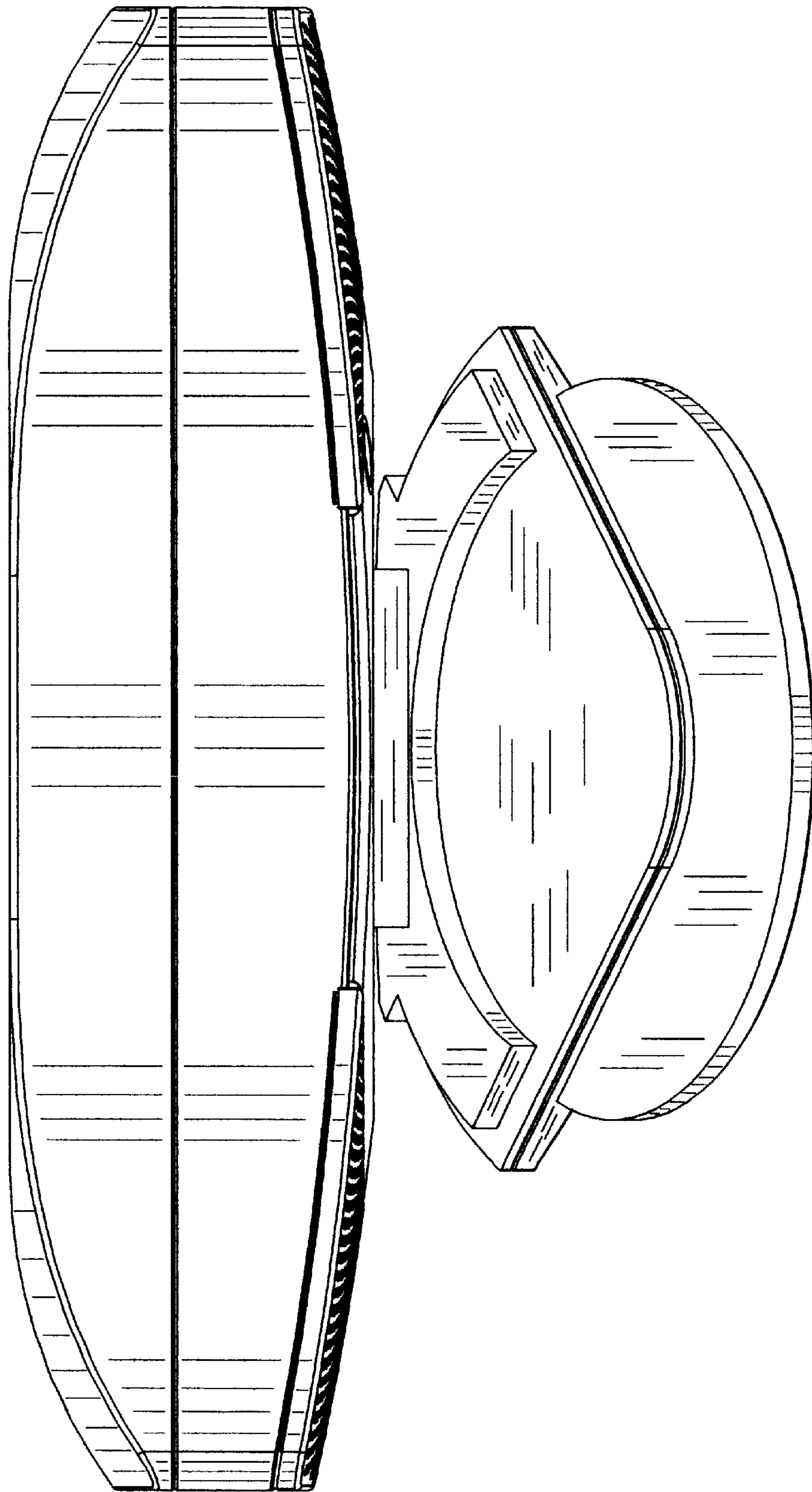


FIG. 9

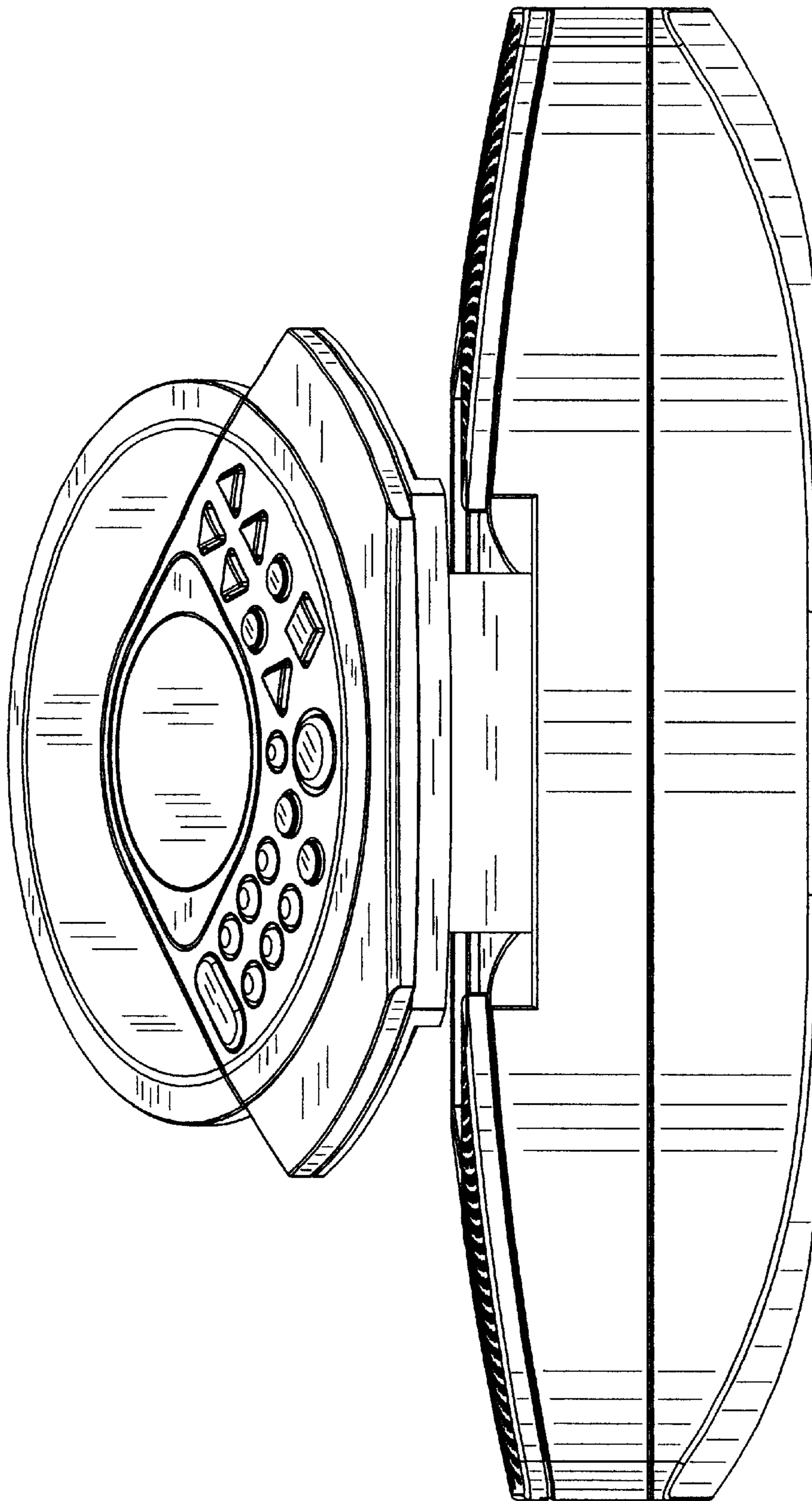


FIG. 10

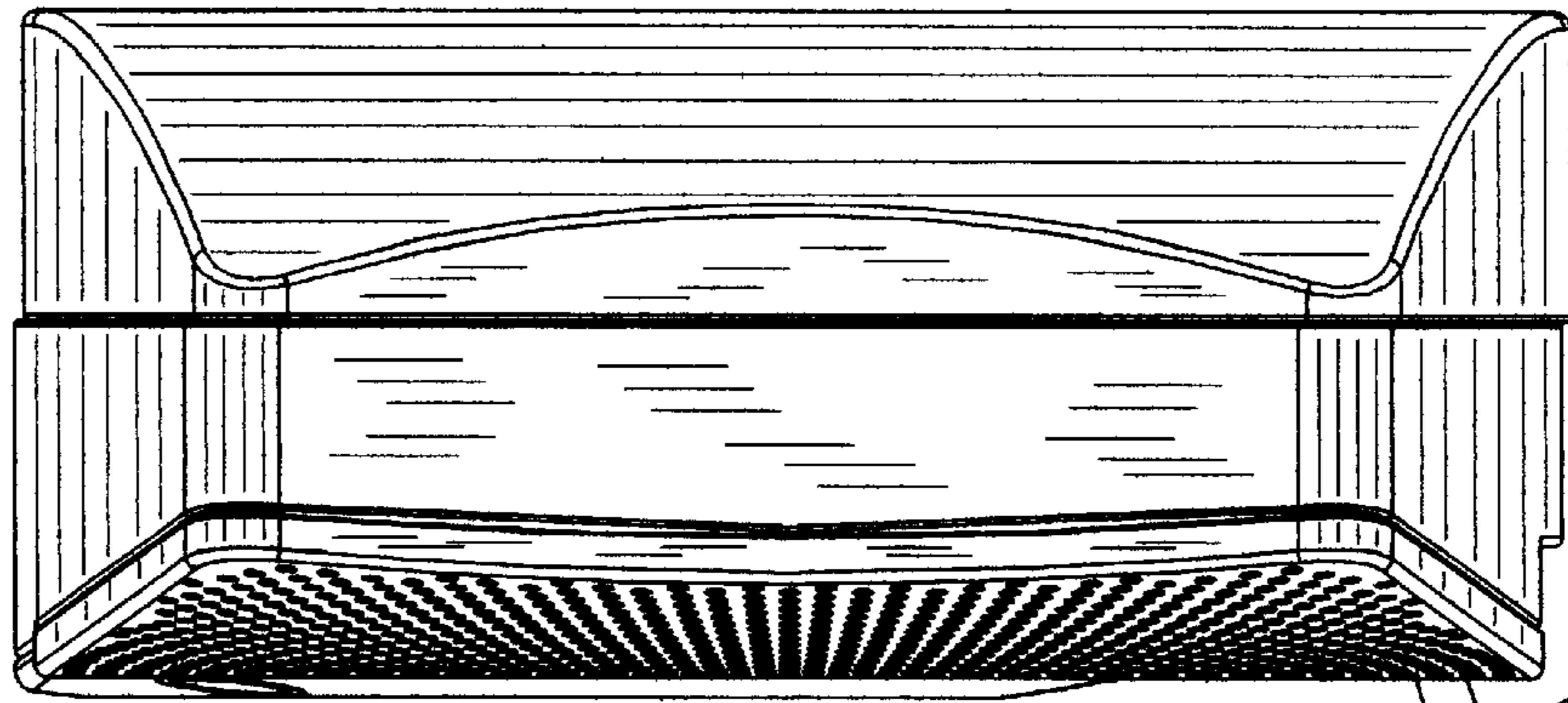


FIG. 11

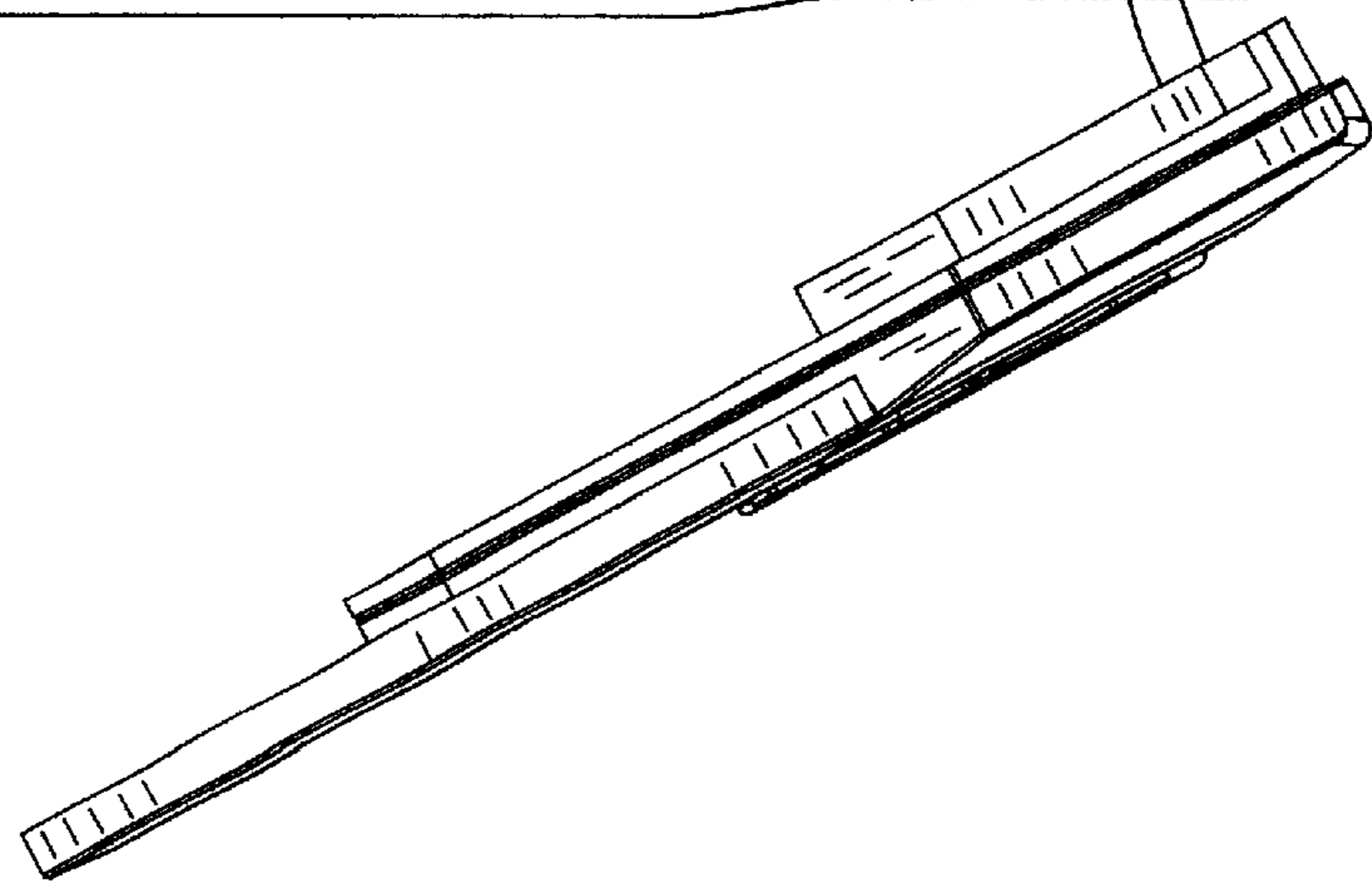


FIG. 12

