



US00D478884S

(12) **United States Design Patent**
Slipy et al.

(10) **Patent No.: US D478,884 S**

(45) **Date of Patent: ** Aug. 26, 2003**

(54) **BASE FOR A CORDLESS TELEPHONE**

(75) Inventors: **Michael John Slipy**, Oakland Park, FL (US); **Kevin Christian Coullahan**, Santa Cruz, CA (US); **Hartmut Heinrich Esslinger**, Los Gatos, CA (US); **Jon Christopher Lake**, Sunnyvale, CA (US); **Howard Geoffrey Nuk**, Sunnyvale, CA (US)

(73) Assignee: **Motorola, Inc.**, Schaumburg, IL (US)

(**) Term: **14 Years**

(21) Appl. No.: **29/166,289**

(22) Filed: **Aug. 23, 2002**

(51) **LOC (7) Cl. 14-03**

(52) **U.S. Cl. D14/149; D13/108**

(58) **Field of Search** D14/137, 434, D14/138, 447, 148, 147, 149-151, 140-142, 240, 241, 251, 253, 451; 379/426, 449, 419, 420.01-420.04, 428.01-428.04, 440, 454, 455, 446; 455/550-575, 90; D13/107, 108; 320/110-115; D3/218

(56) **References Cited**

U.S. PATENT DOCUMENTS

D351,132 S	*	10/1994	Brooks et al.	D13/108
D358,364 S	*	5/1995	Siddoway	D13/108
D361,979 S	*	9/1995	Shirakawa et al.	D13/108
D368,892 S	*	4/1996	Tanaka	D13/108
D395,280 S	*	6/1998	Phelps	D13/108
D401,579 S	*	11/1998	Benjamin et al.	D14/149
D406,840 S	*	3/1999	Mavrakis et al.	D14/149
D409,563 S	*	5/1999	Haase et al.	D13/107
D411,824 S	*	7/1999	Wilson, Sr. et al.	D13/108
D417,430 S	*	12/1999	Ko	D13/107
D419,956 S	*	2/2000	Lucaci et al.	D13/108
D422,556 S	*	4/2000	Okura et al.	D13/107
D426,533 S	*	6/2000	Hughes et al.	D14/149

D426,808 S	*	6/2000	Hsiao	D13/107
D427,967 S	*	7/2000	Lloyd et al.	D13/107
D436,576 S	*	1/2001	Herrmann et al.	D13/107
D438,170 S	*	2/2001	Hofbauer	D13/107
D439,219 S	*	3/2001	Minagawa et al.	D13/108
D448,724 S	*	10/2001	Hsiao	D13/107
D455,396 S	*	4/2002	Scott et al.	D13/108
D456,005 S	*	4/2002	Jokinen	D13/108
D456,350 S	*	4/2002	Mott et al.	D13/108
D458,266 S	*	6/2002	Herath	D14/434
D459,299 S	*	6/2002	Hughes et al.	D13/108
D460,446 S	*	7/2002	Hughes et al.	D14/253
D463,361 S	*	9/2002	Ruohonen	D13/108
D469,073 S	*	1/2003	Muenschner et al.	D14/149
D469,075 S	*	1/2003	Chan	D14/149
D471,578 S	*	3/2003	Okuley	D16/242

OTHER PUBLICATIONS

Design Patent application entitled "Cordless Telephone"—First Inventor—Howard Nuk 29/160074.

* cited by examiner

Primary Examiner—Jeffrey Asch

(74) *Attorney, Agent, or Firm*—Randi L. Dulaney

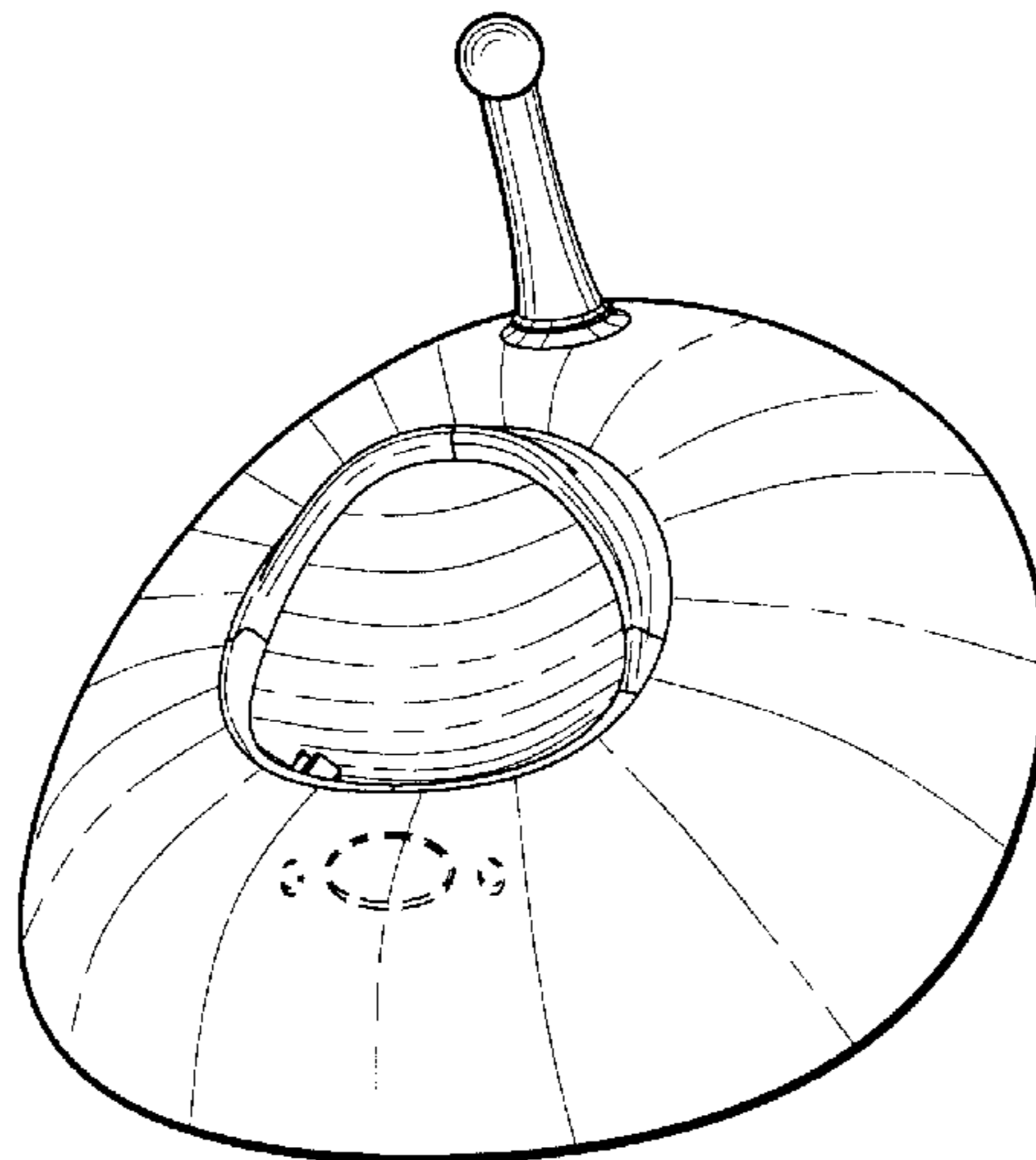
(57) **CLAIM**

The ornamental design for base for a cordless telephone, as shown and described.

DESCRIPTION

FIG. 1 is a top orthographic view of one embodiment of a base for a cordless telephone showing our new design; FIG. 2 is a bottom orthographic view thereof; FIG. 3 is a front orthographic view thereof; FIG. 4 is a rear orthographic view thereof; FIG. 5 is a right side orthographic view thereof; and, FIG. 6 is a perspective view thereof. The broken lines shown in FIGS. 1-6 are included for the purpose of illustrating environmental elements only and form no part of the claimed design.

1 Claim, 3 Drawing Sheets



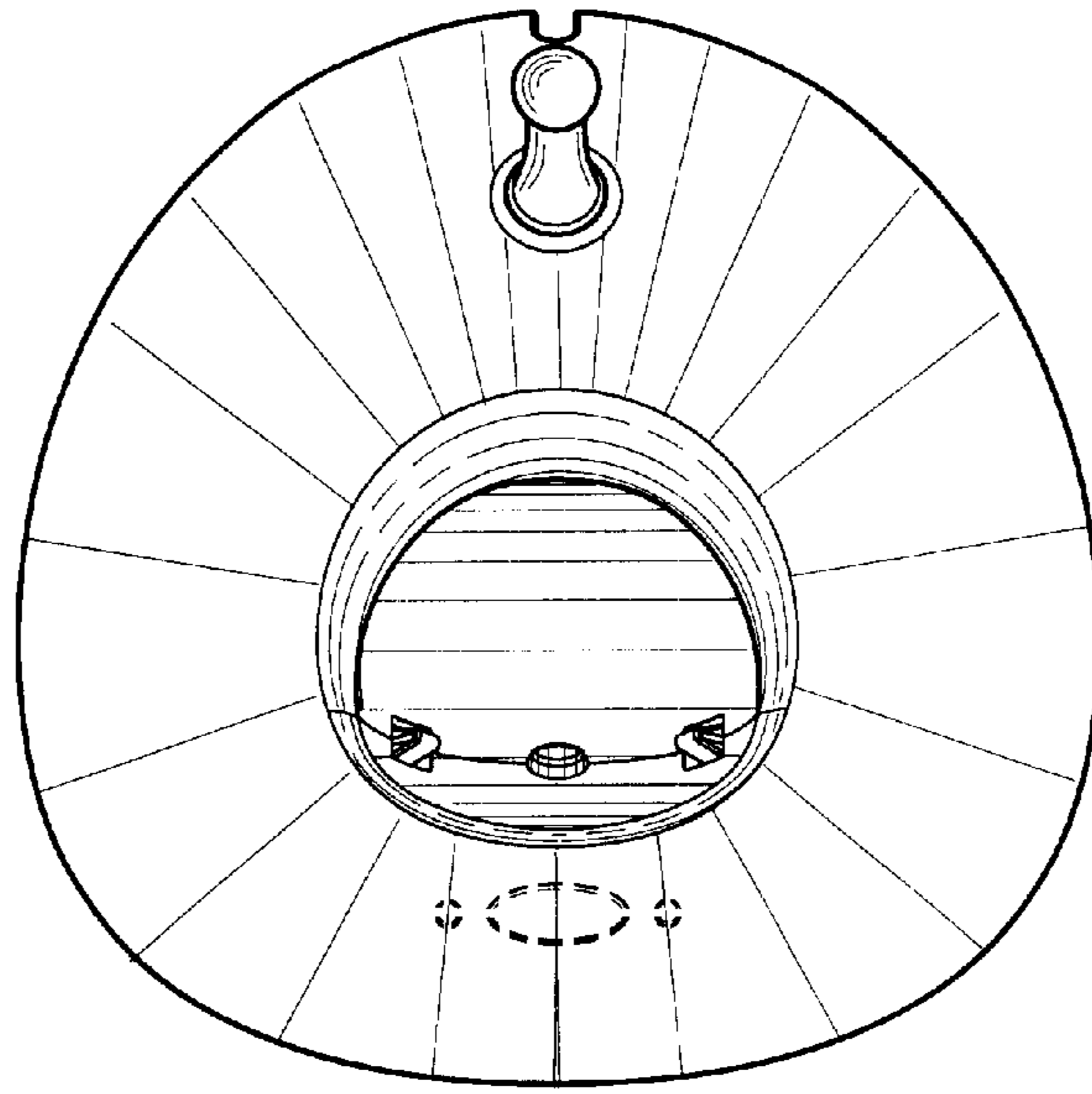


FIG. 1

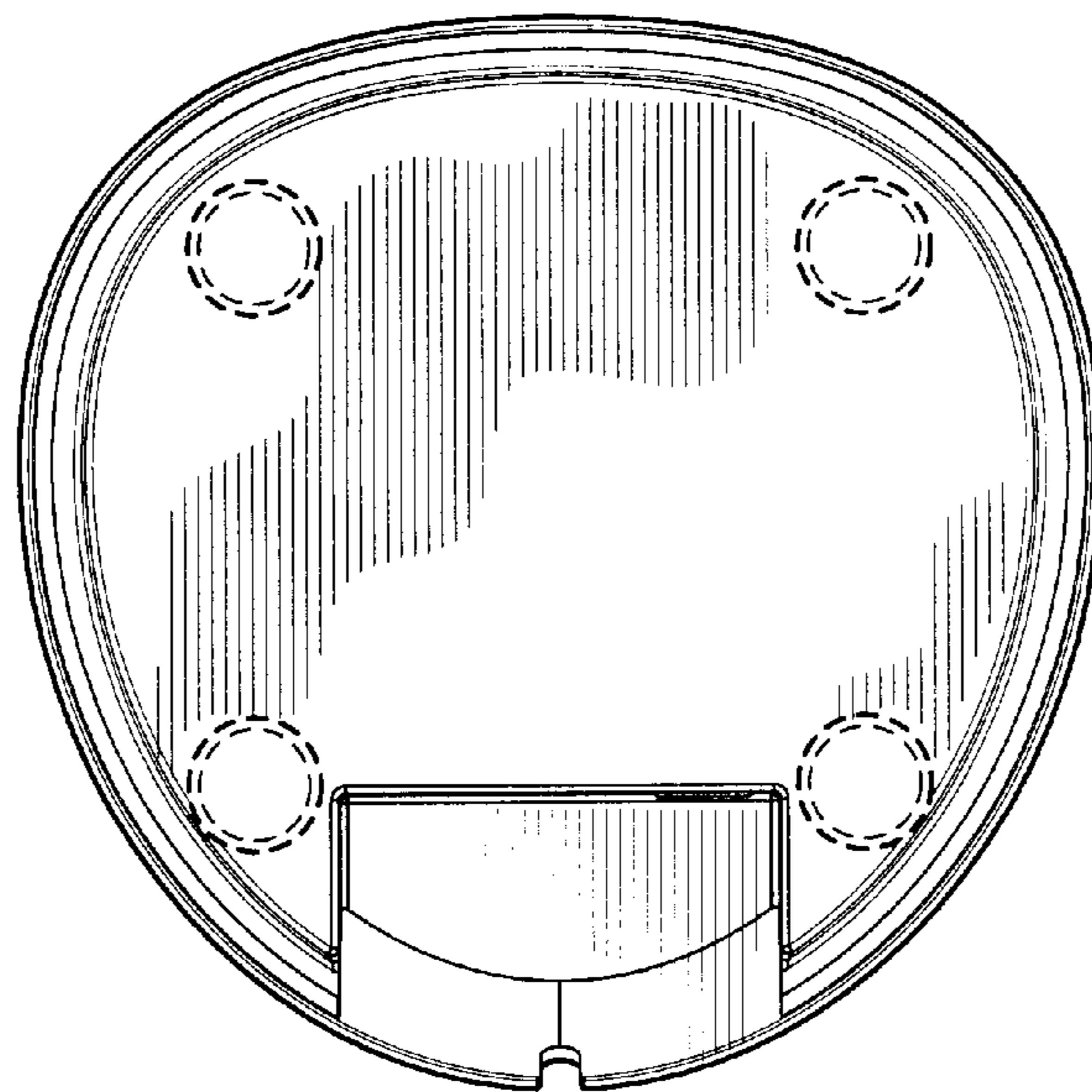


FIG. 2

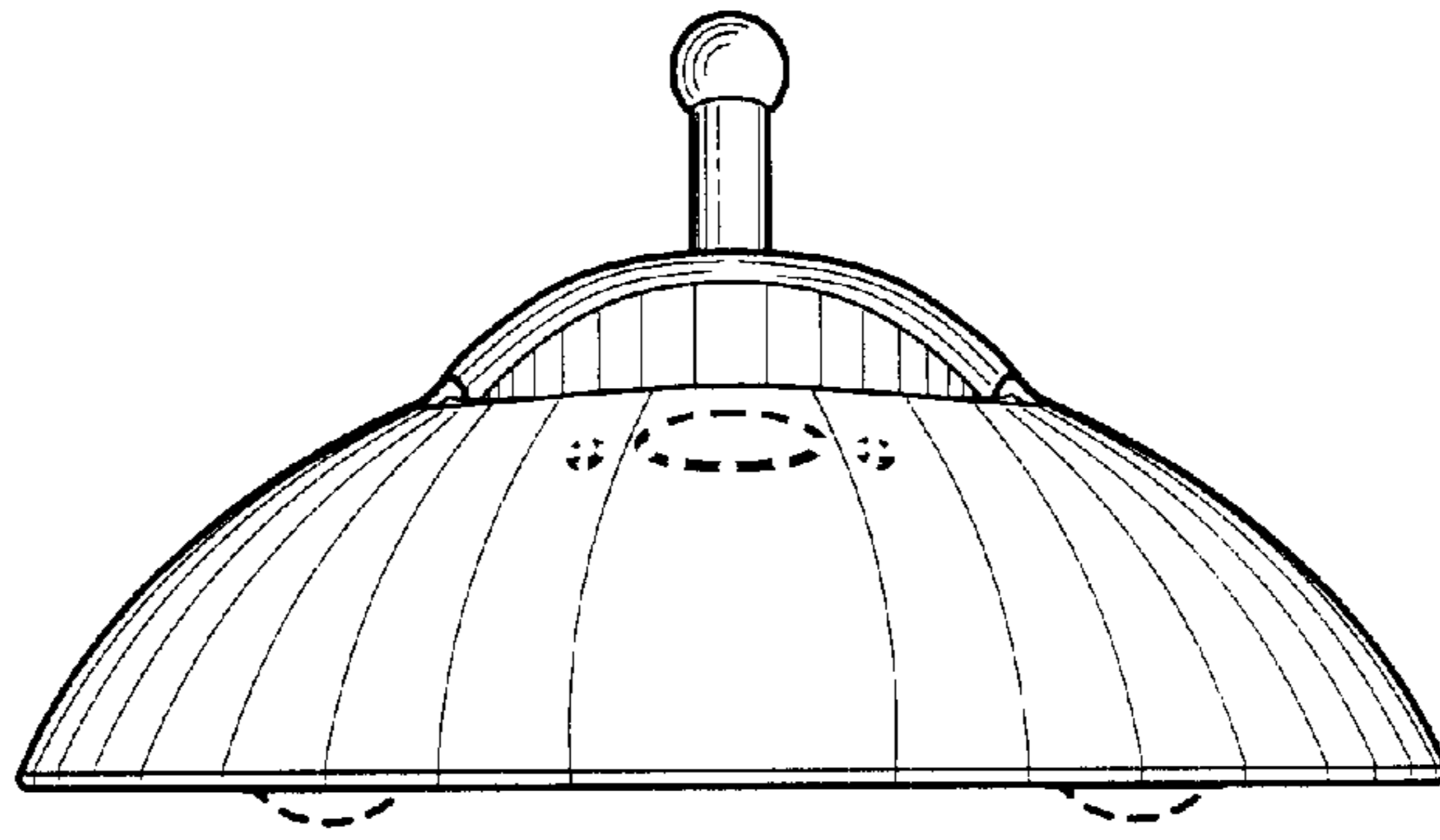


FIG. 3

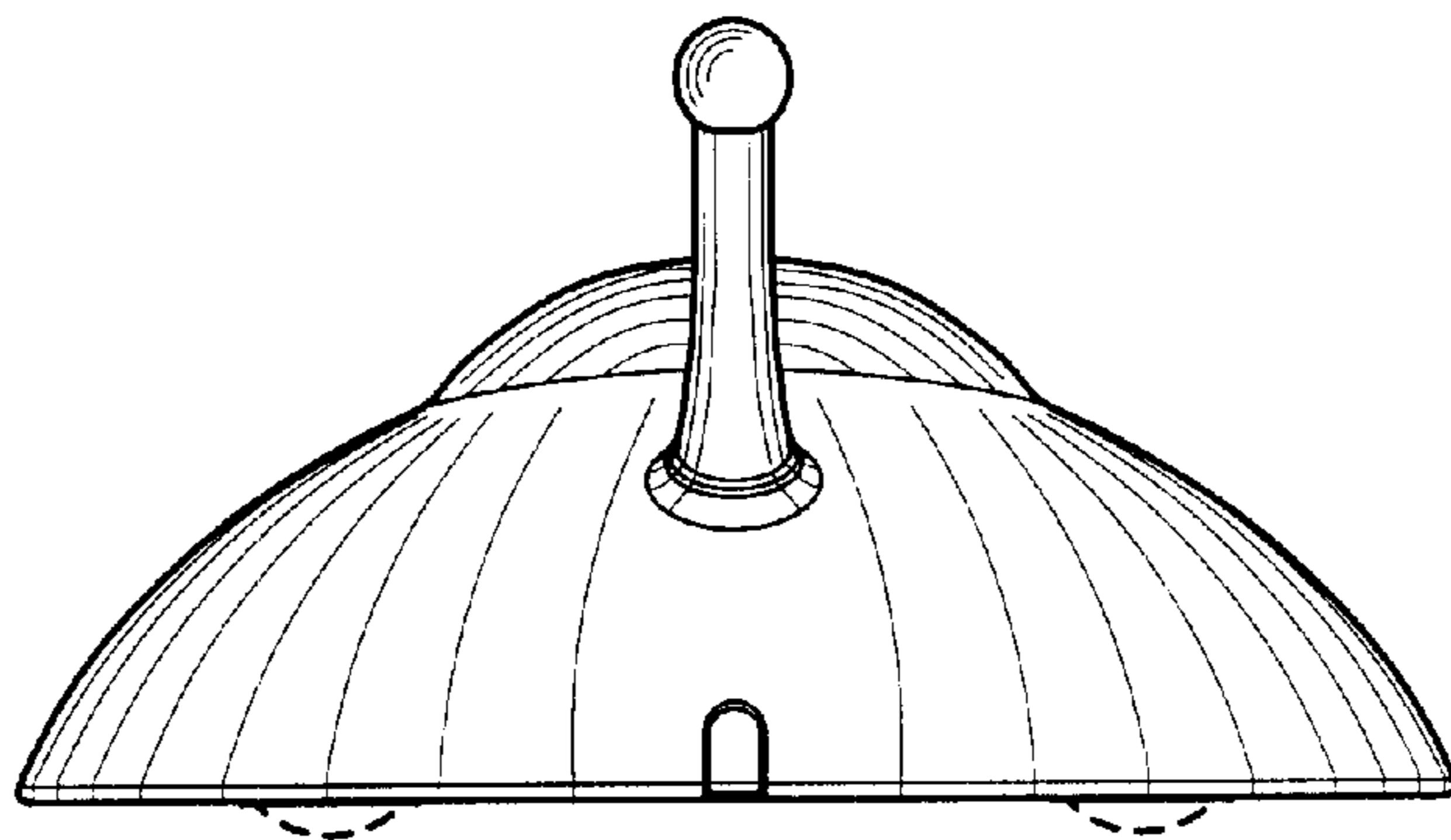


FIG. 4

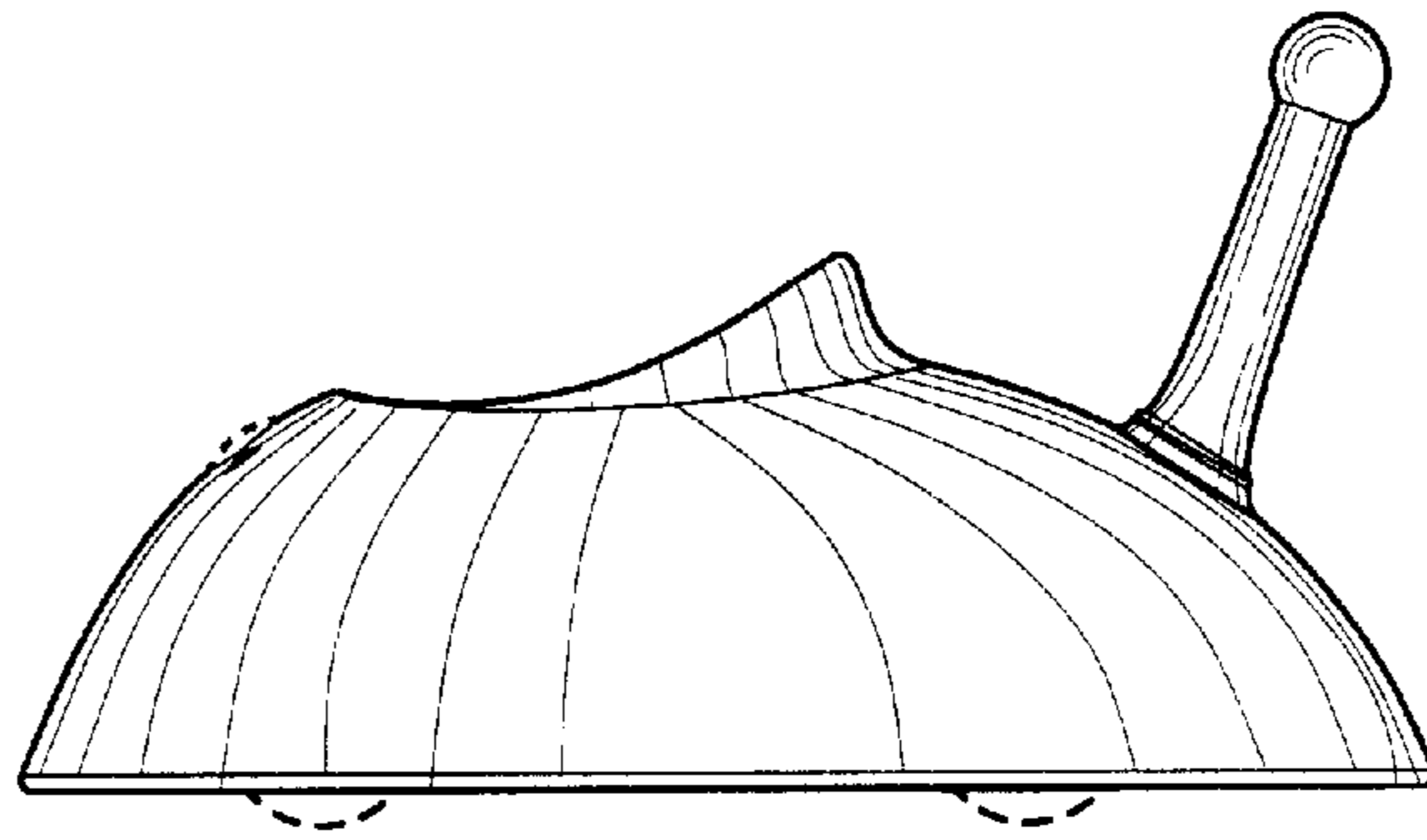


FIG. 5

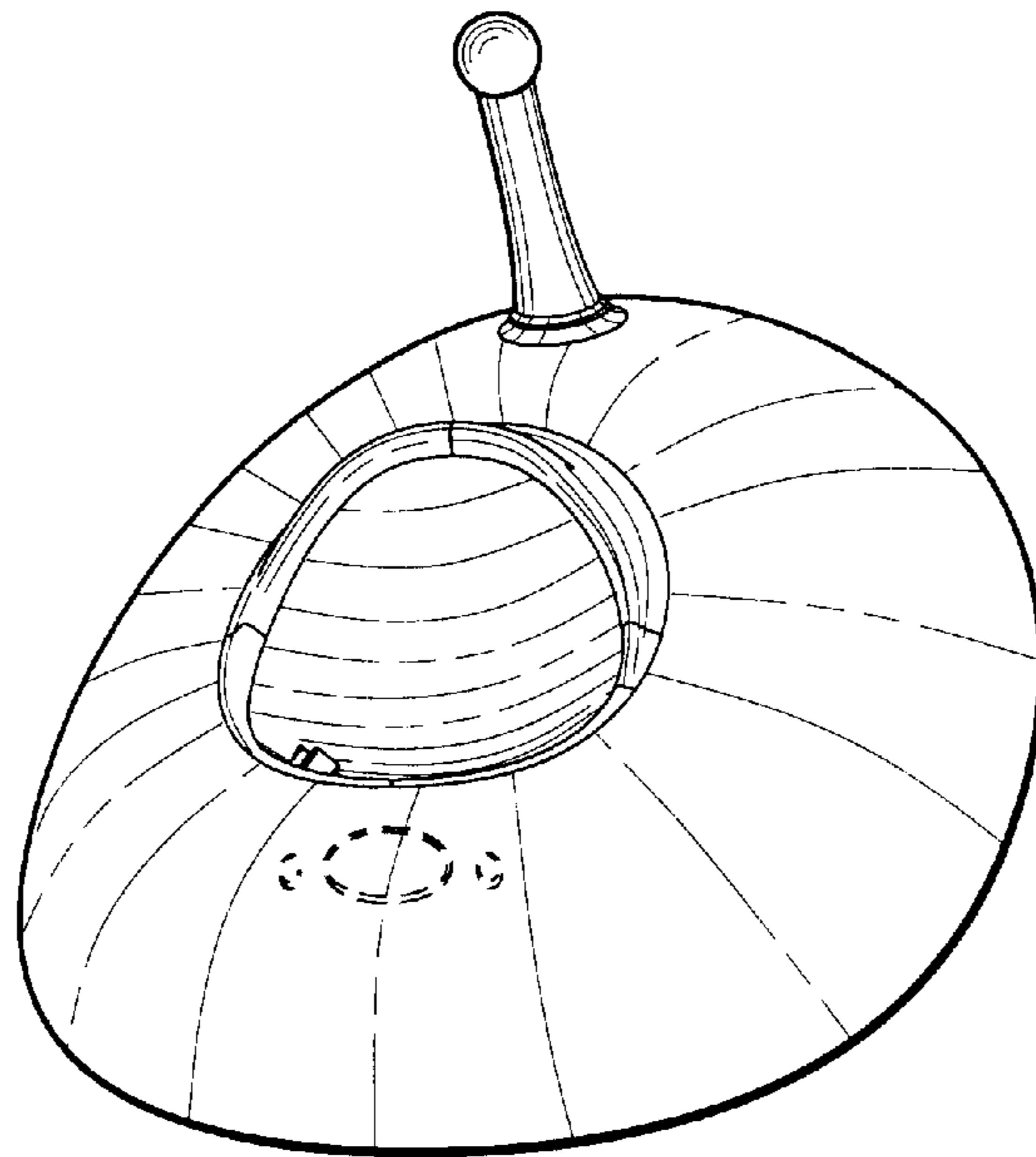


FIG. 6