



US00D47881S

(12) **United States Design Patent**
O'Leary et al.

(10) **Patent No.: US D478,881 S**

(45) **Date of Patent: ** Aug. 26, 2003**

(54) **VIDEOPHONE**

(75) Inventors: **Jeremiah Peter O'Leary**, Chicago, IL (US); **Martin Thaler**, Chicago, IL (US); **Rodney Hal Monson**, Winthrop Harbor, IL (US); **Scott Alan Massing**, Chicago, IL (US)

(73) Assignee: **Marconi Communications, Inc.**, Warrendale, PA (US)

(**) Term: **14 Years**

(21) Appl. No.: **29/158,247**

(22) Filed: **Mar. 27, 2002**

(51) **LOC (7) Cl. 14-03**

(52) **U.S. Cl. D14/130**

(58) **Field of Search** D14/329, 330, D14/447, 374-376, 148, 147, 126, 149-151, 136, 140-142, 146, 240, 241, 129, 130, 144, 317, 336-337; 379/420.01, 420.02, 420.03, 419, 420.04, 428.02, 428.01, 428.04, 428.03, 454, 440, 90.01, 93.17, 93.19, 93.22, 433-436, 900, 441; 348/14.01-14.16; D20/10, 1, 4, 6; D99/28; D25/4, 16; D6/310, 314, 421; 25/27.5

(56) **References Cited**

U.S. PATENT DOCUMENTS

- D278,149 S * 3/1985 Naito D14/375
- D309,304 S * 7/1990 Takada et al. D14/144
- D317,629 S * 6/1991 Chalabian D20/6
- D317,757 S * 6/1991 Yokoi et al. D14/329

- D318,493 S * 7/1991 Chalabian D20/6
- D323,657 S * 2/1992 Danielson et al. D14/151
- D354,954 S * 1/1995 Naito et al. D14/130
- D357,912 S * 5/1995 Martin D14/130
- 5,515,424 A * 5/1996 Kenney 379/93.22
- D373,641 S * 9/1996 Lee D25/4
- D391,565 S * 3/1998 Nanjo D14/130
- D392,946 S * 3/1998 Elkins D14/329
- D395,129 S * 6/1998 Johnson D99/28
- D404,393 S * 1/1999 Russmann D14/130
- D410,004 S * 5/1999 LaPorte et al. D14/146
- D411,987 S * 7/1999 Mizusugi et al. D14/329
- D438,182 S * 2/2001 Wilson D14/130
- D440,545 S * 4/2001 Pham et al. D14/130
- 6,369,847 B1 * 4/2002 James et al. 348/14.01
- D463,780 S * 10/2002 Hung D14/130
- D469,090 S * 1/2003 Tsuji D14/374

* cited by examiner

Primary Examiner—Jeffrey Asch

(74) *Attorney, Agent, or Firm*—Ansel M. Schwartz

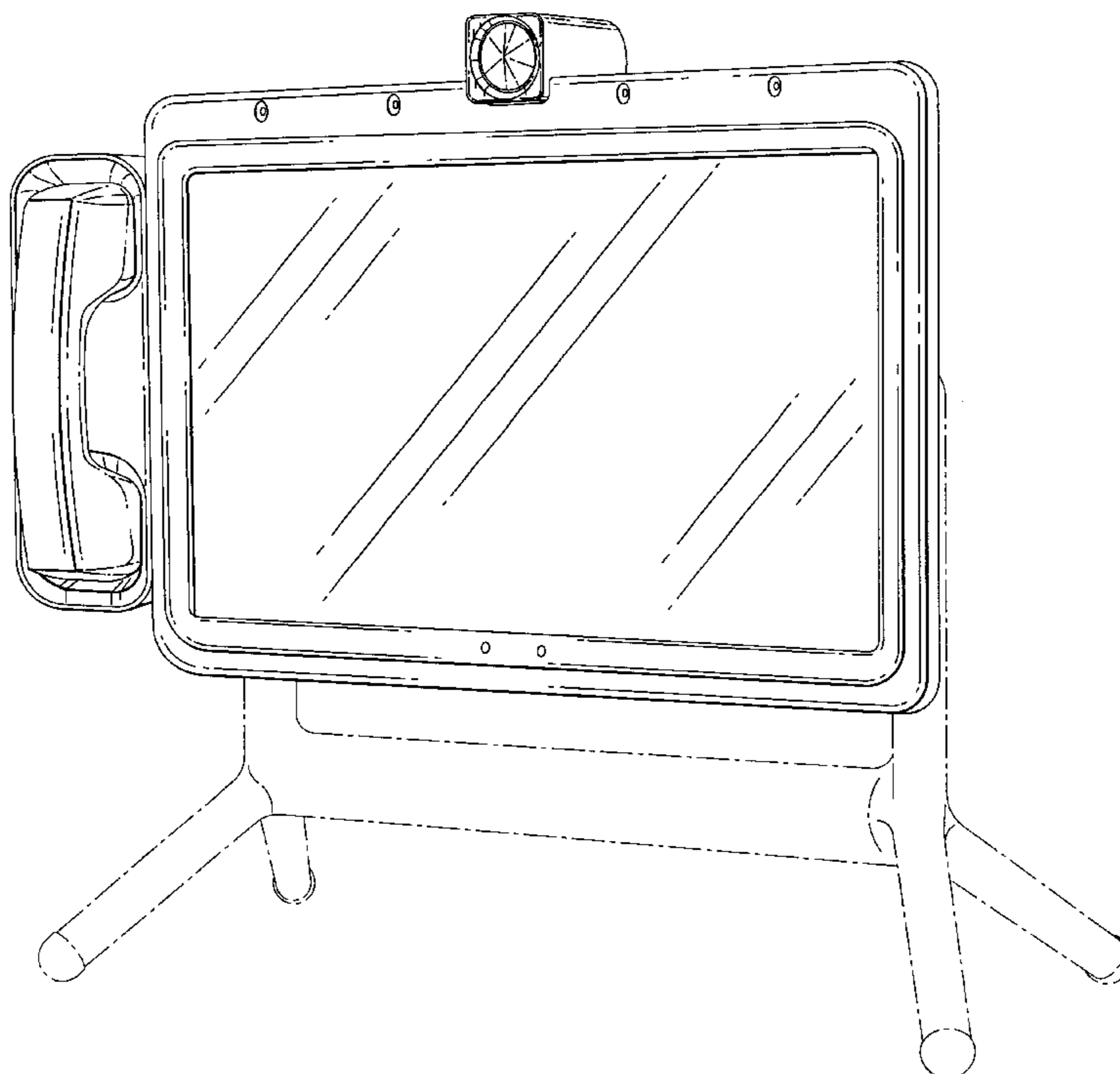
(57) **CLAIM**

We claim the ornamental design for the videophone, as shown and described.

DESCRIPTION

FIG. 1 is a front perspective view of a videophone showing our new design;
FIG. 2 is a rear perspective view of a videophone;
FIG. 3 is a front elevational view thereof;
FIG. 4 is a left side elevational view thereof; and,
FIG. 5 is a rear elevational view thereof.

1 Claim, 5 Drawing Sheets



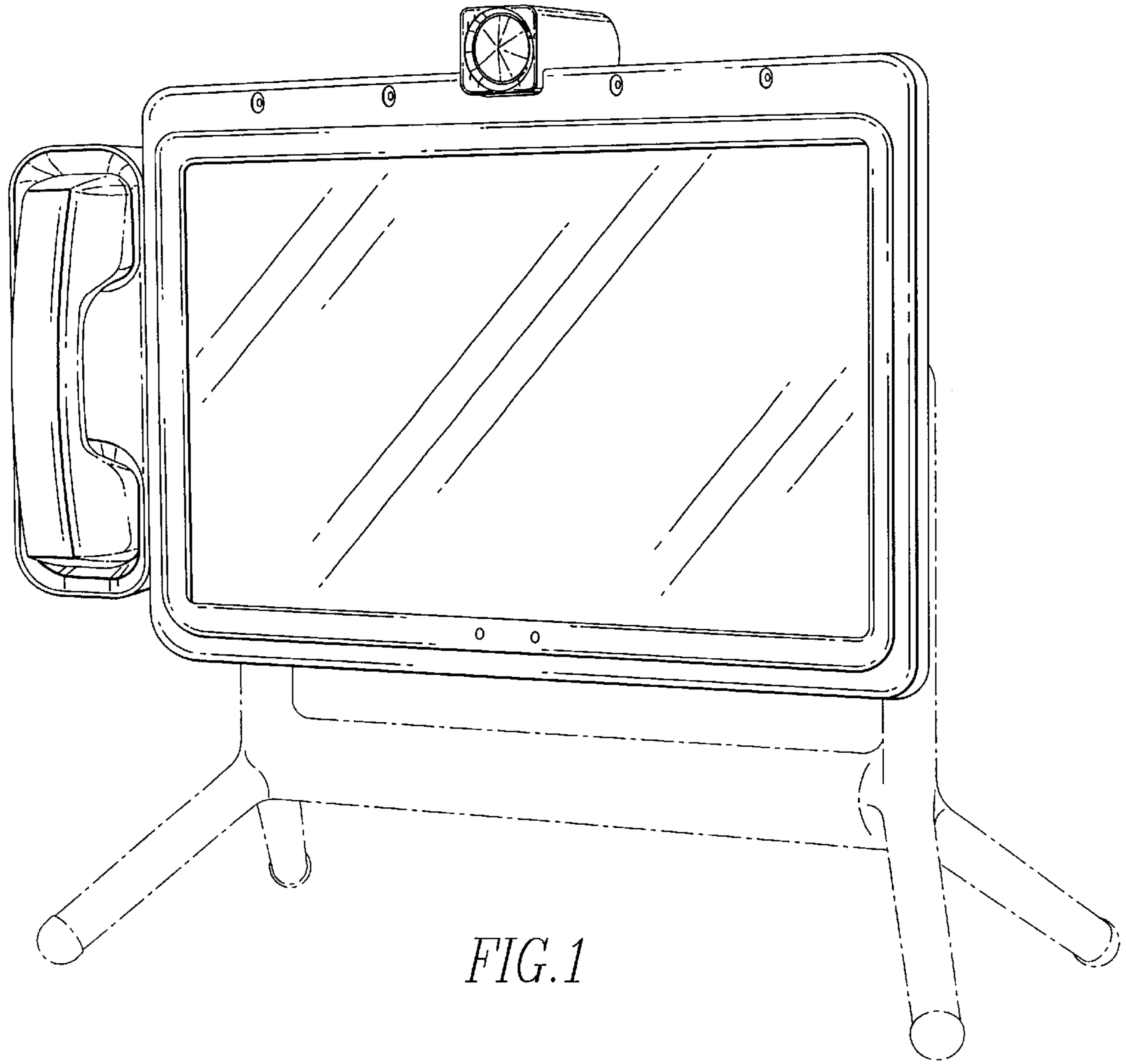


FIG. 1

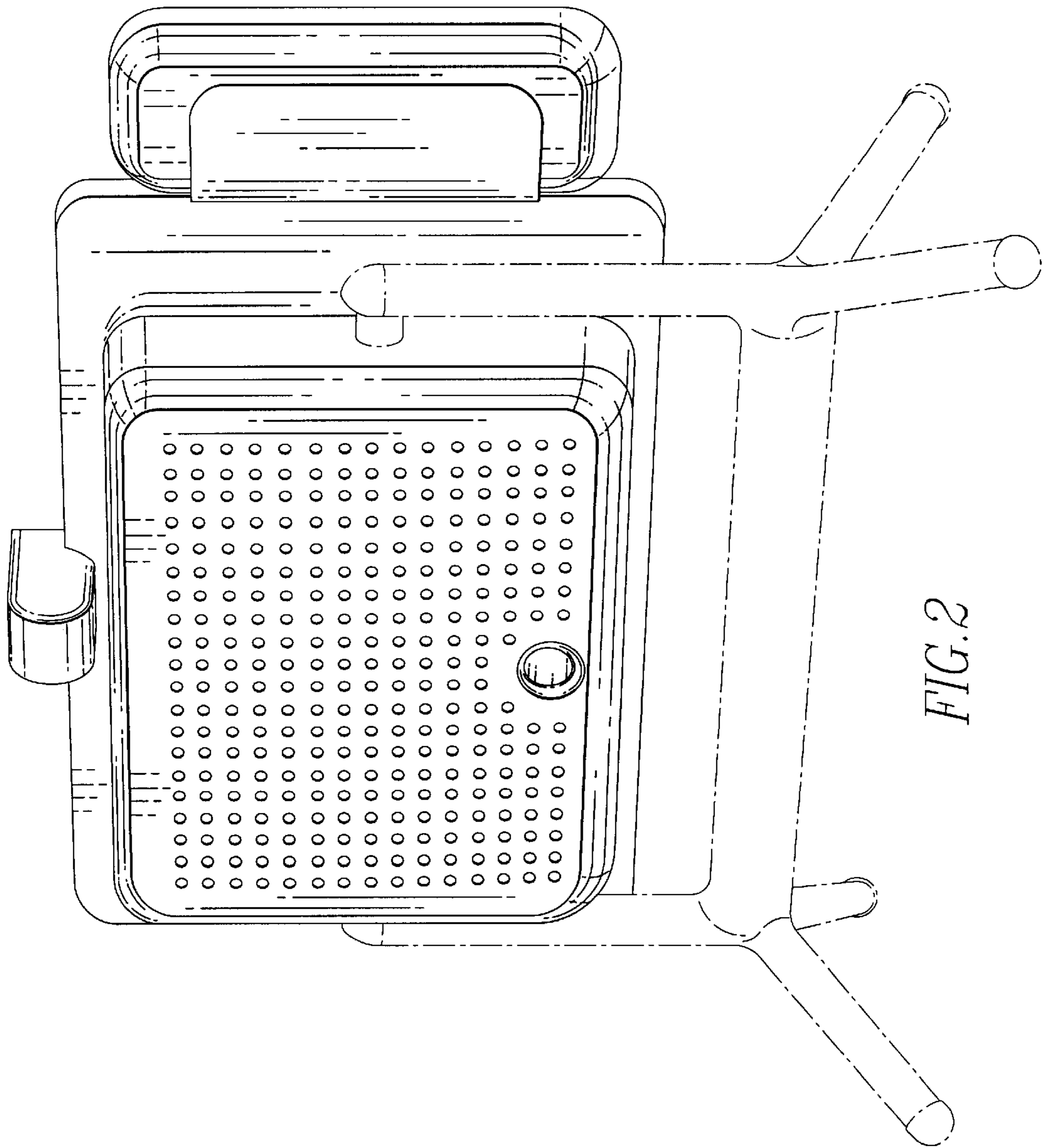


FIG. 2

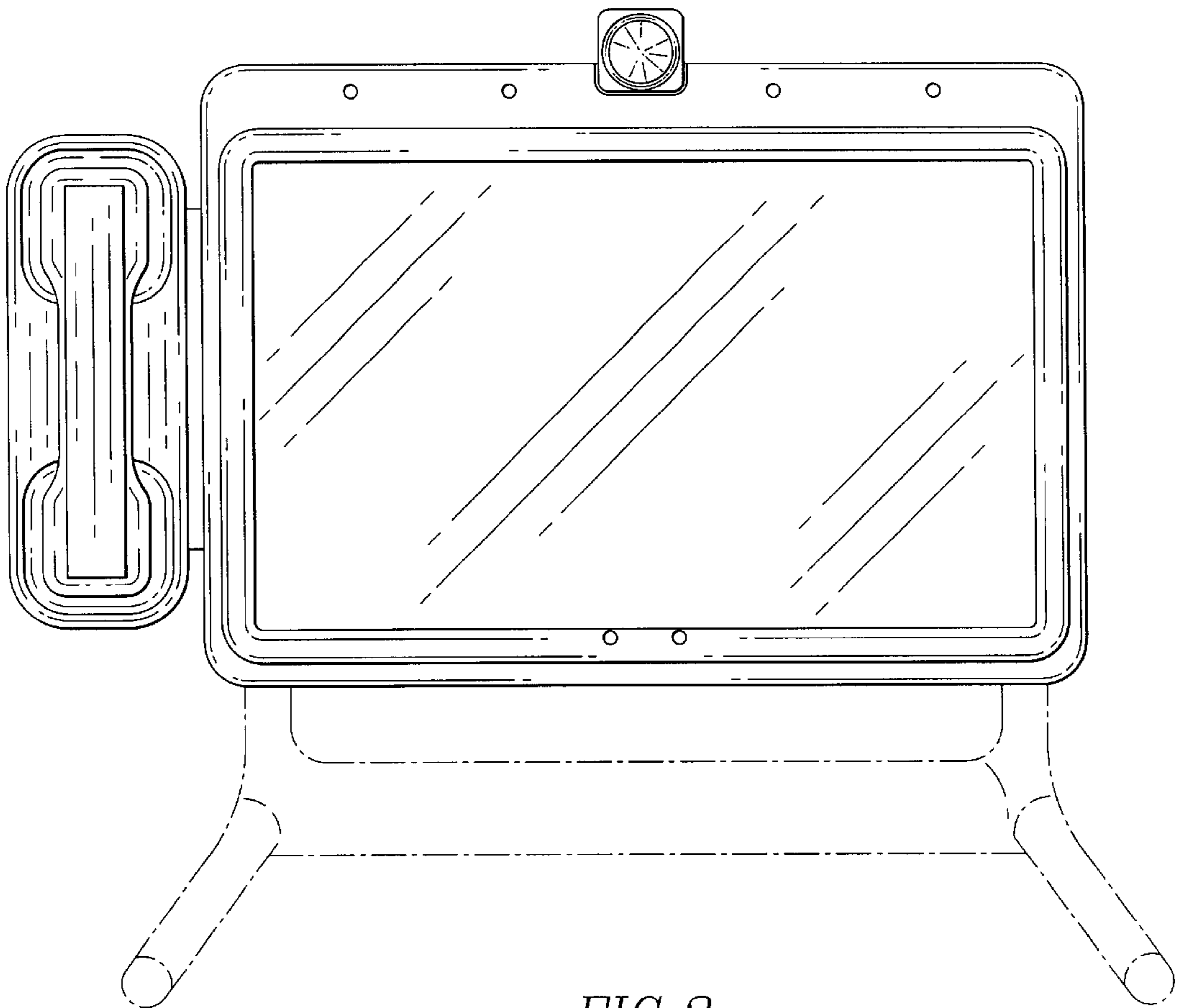


FIG. 3

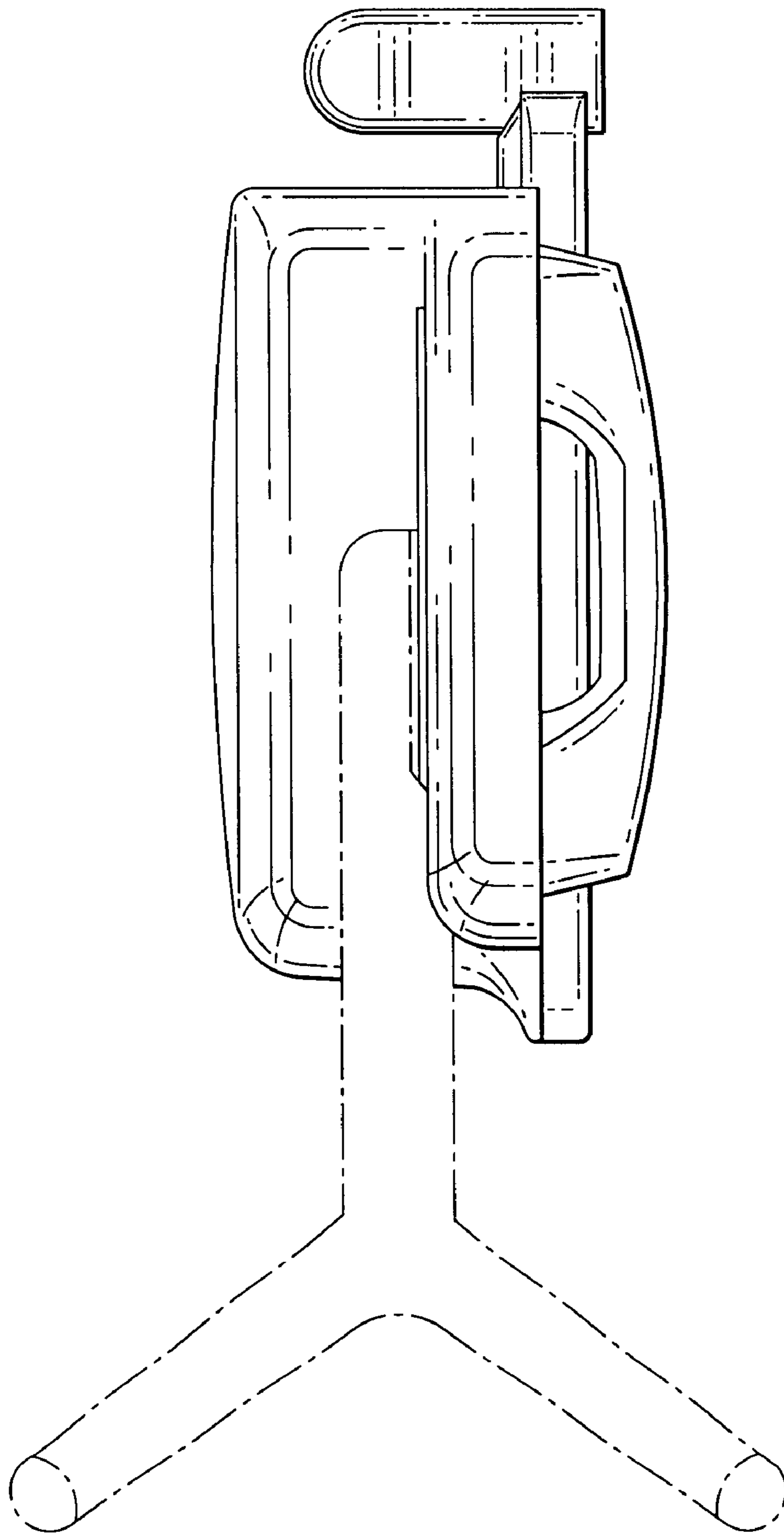


FIG. 4

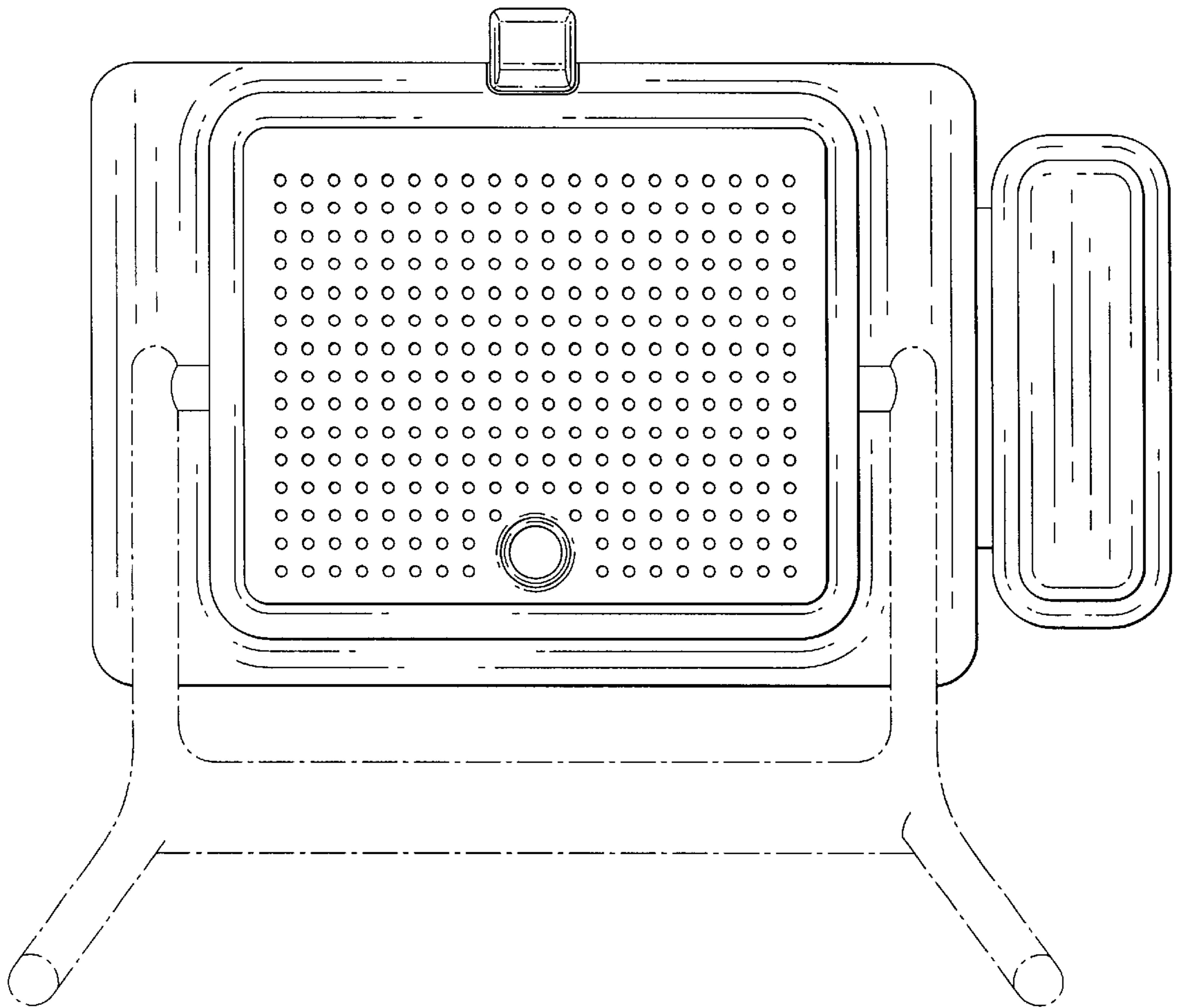


FIG. 5