



US00D478880S

(12) **United States Design Patent**  
**Sumida**

(10) **Patent No.:** **US D478,880 S**

(45) **Date of Patent:** **\*\* Aug. 26, 2003**

(54) **CONNECTION MEMBER FOR THE TAPE SUPPORTING A RANGE OF ELECTRONIC PARTS**

(75) Inventor: **Hiroto Sumida, Nara (JP)**

(73) Assignee: **Matsushita Electric Industrial Co., Ltd., Osaka (JP)**

(\*\*) Term: **14 Years**

(21) Appl. No.: **29/154,921**

(22) Filed: **Jan. 30, 2002**

(30) **Foreign Application Priority Data**

Jul. 31, 2001 (JP) ..... 2001-022372

(51) **LOC (7) Cl.** ..... **13-03**

(52) **U.S. Cl.** ..... **D13/199**

(58) **Field of Search** ..... D13/199; 174/52.4; 156/230; 206/714, 715, 713, 727, 728; 242/332.1; 360/95, 132, 134, 137; 439/43, 44, 47, 258, 296, 310, 492

(56) **References Cited**

**U.S. PATENT DOCUMENTS**

- 4,708,245 A \* 11/1987 Boeckmann et al. .... 206/714
- 4,731,503 A \* 3/1988 Kitanishi ..... 174/88 R
- 5,150,787 A \* 9/1992 Bird et al. .... 206/461

- 5,183,973 A \* 2/1993 Ingles et al. .... 174/254
- 5,390,472 A \* 2/1995 Weiler et al. .... 53/412
- 5,494,458 A \* 2/1996 Casey et al. .... 439/495
- 5,524,765 A \* 6/1996 Gutentag ..... 206/713
- 6,149,010 A \* 11/2000 Tanaka et al. .... 206/714
- 6,345,996 B2 \* 2/2002 Saito et al. .... 439/159

\* cited by examiner

*Primary Examiner*—Ted Shooman

*Assistant Examiner*—Selina Sikder

(74) *Attorney, Agent, or Firm*—Christensen O'Connor Johnson Kindness PLLC

(57) **CLAIM**

The ornamental design for a connection member for the tape supporting a range of electronic parts, as shown and described.

**DESCRIPTION**

FIG. 1 is a perspective view of the front, bottom and left side of a connection member for the tape supporting a range of electronic parts showing my new design;  
 FIG. 2 is a left side view thereof;  
 FIG. 3 is a front view thereof;  
 FIG. 4 is a rear view thereof;  
 FIG. 5 is a top plan view thereof; and,  
 FIG. 6 is a bottom view thereof.

**1 Claim, 2 Drawing Sheets**

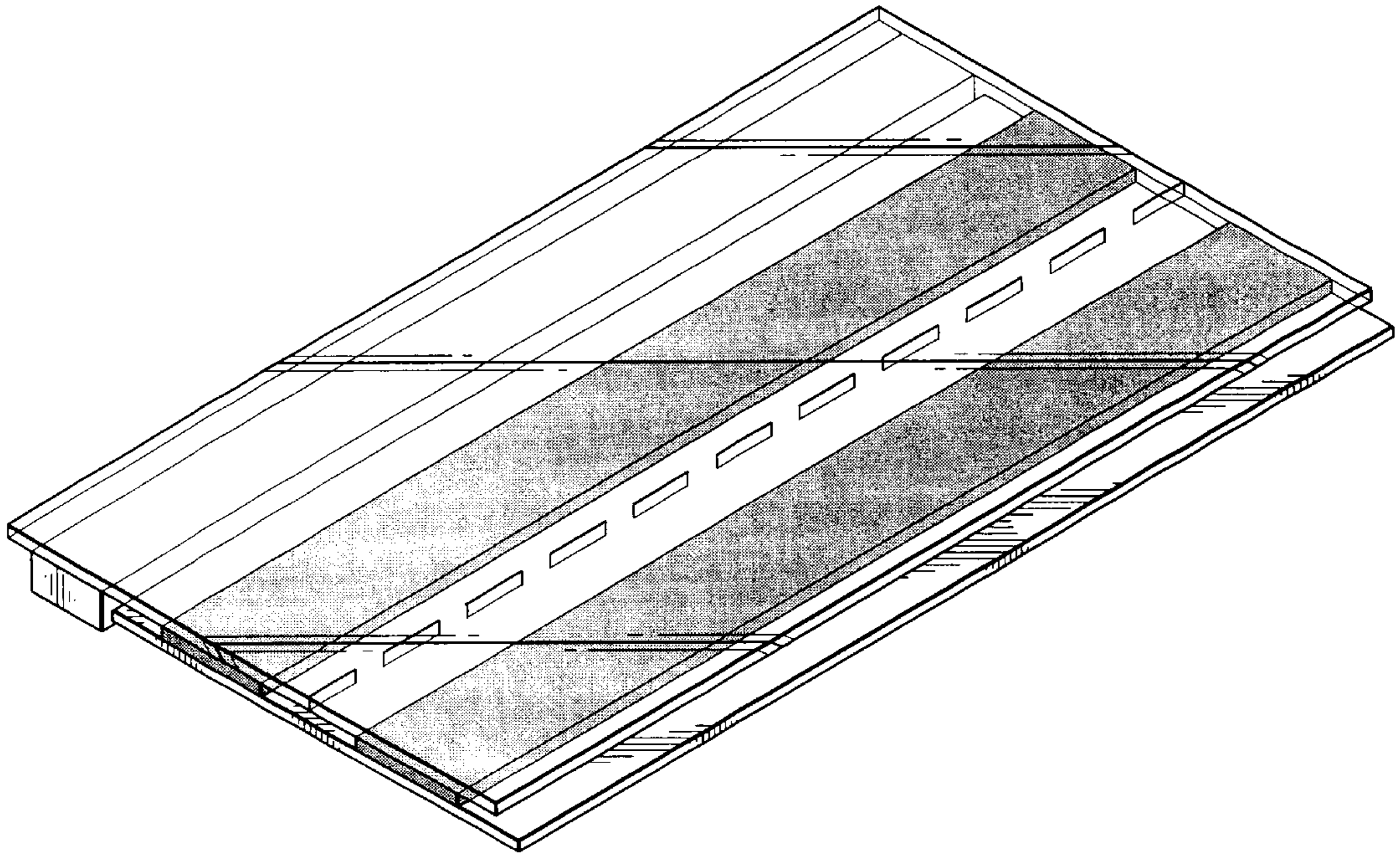


FIG. 1

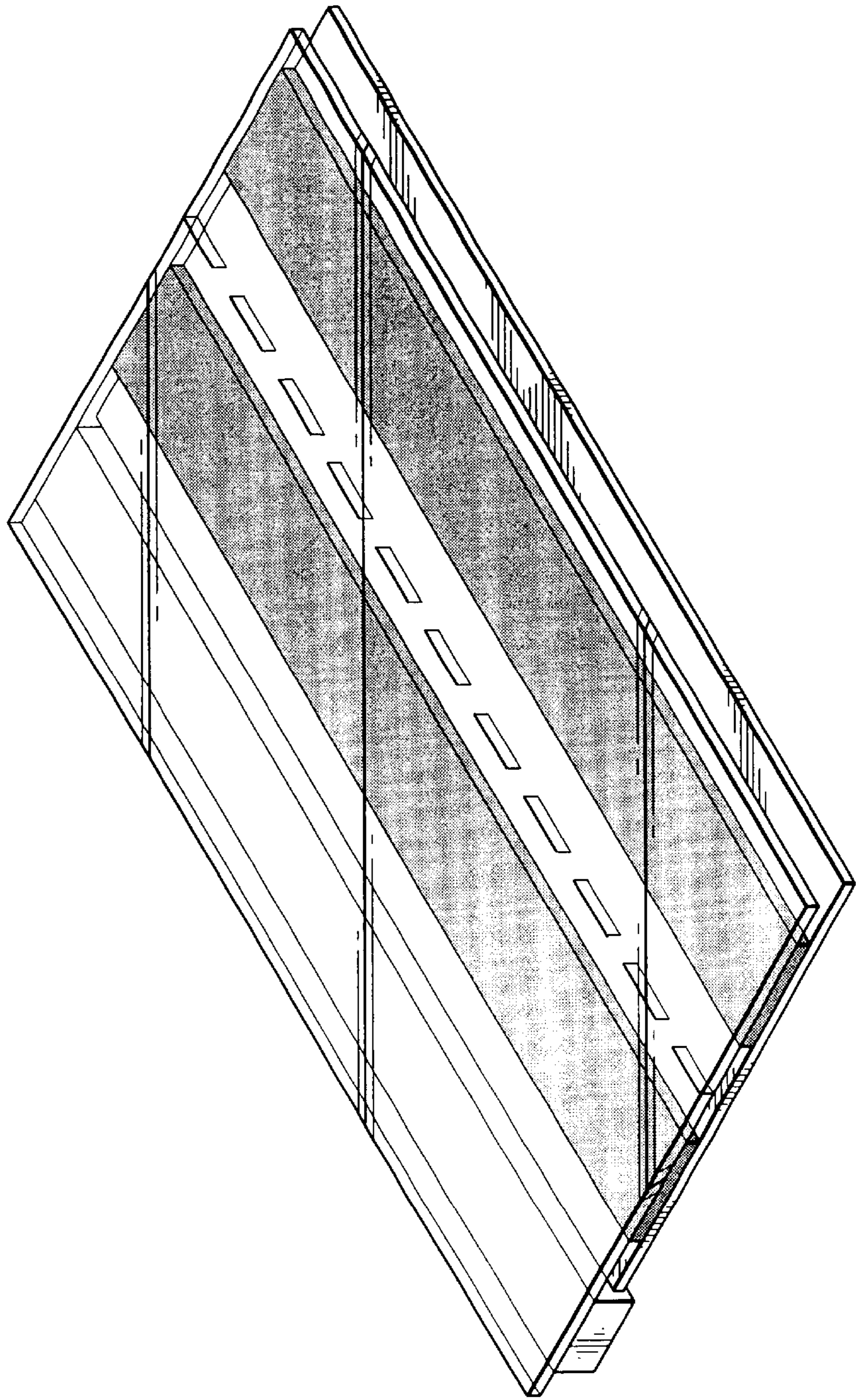
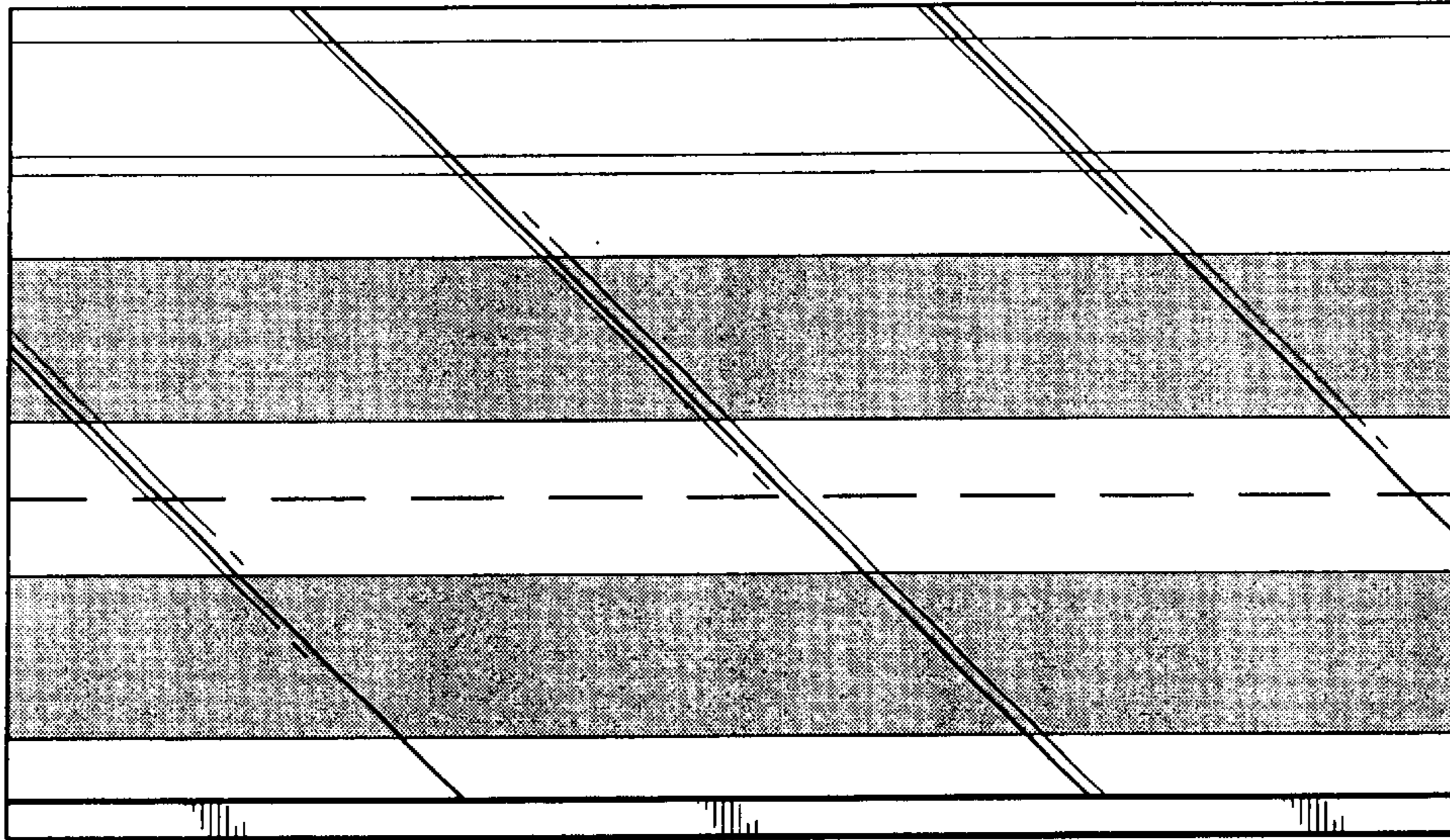


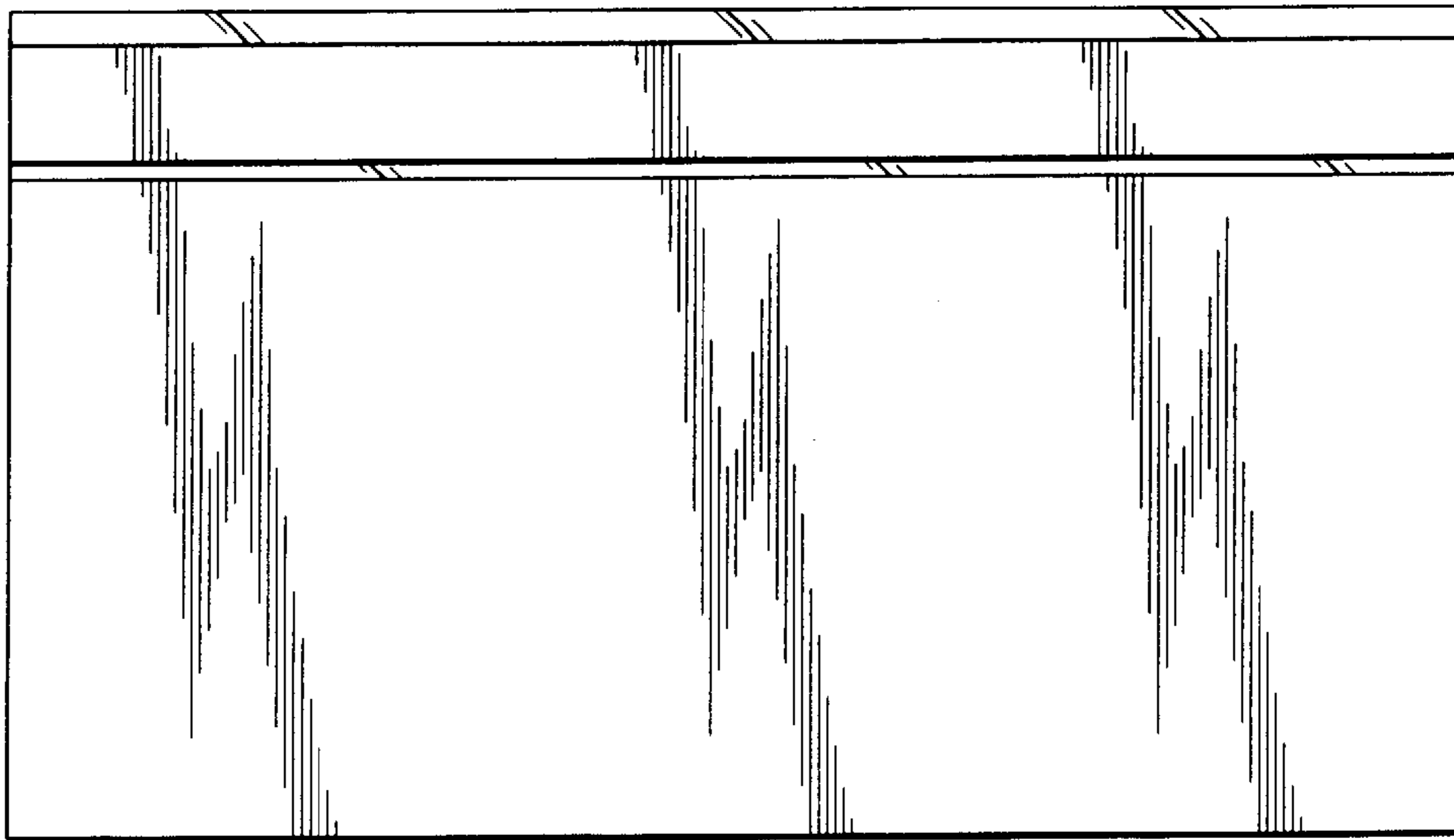
FIG. 2



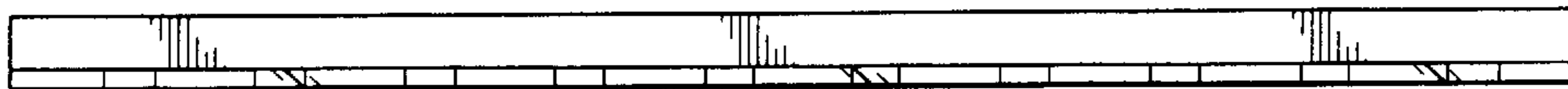
*FIG. 3*



*FIG. 4*



*FIG. 5*



*FIG. 6*



UNITED STATES PATENT AND TRADEMARK OFFICE  
**CERTIFICATE OF CORRECTION**

PATENT NO. : Des. 478,880 S  
DATED : August 26, 2003  
INVENTOR(S) : H. Sumida

Page 1 of 1

It is certified that error appears in the above-identified patent and that said Letters Patent is hereby corrected as shown below:

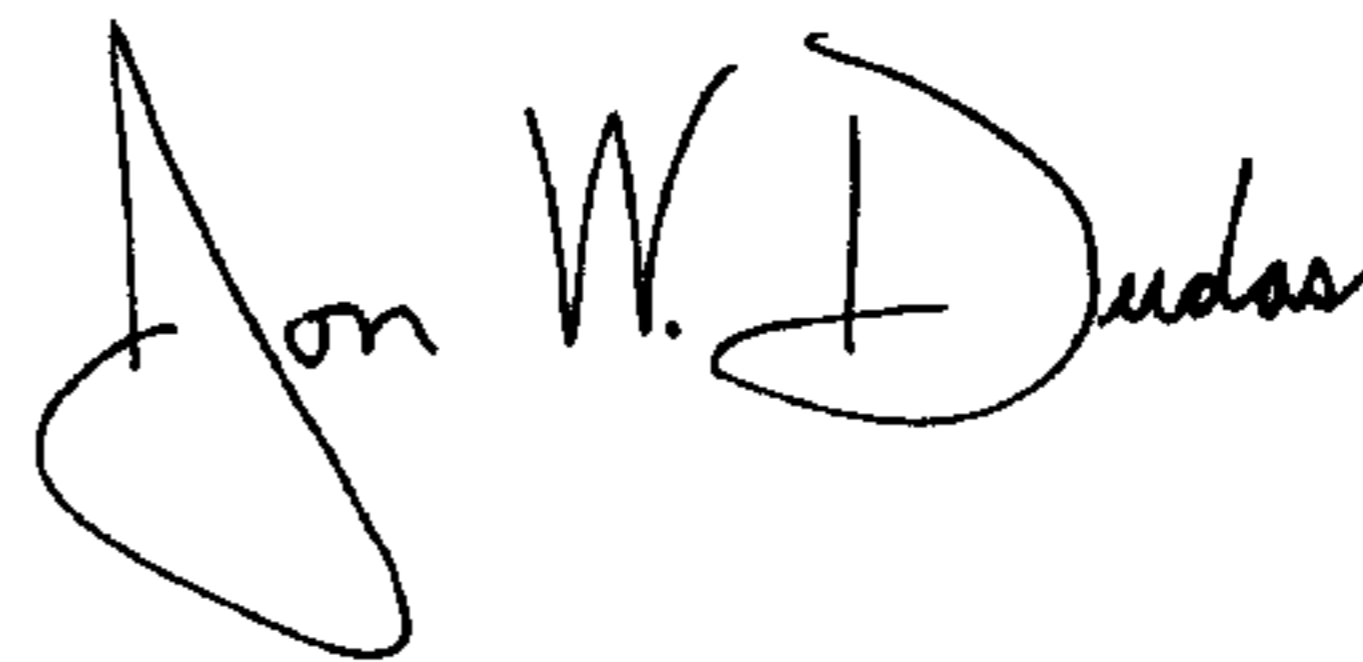
Title page,

Item [56], **References Cited**, FOREIGN PATENT DOCUMENTS, insert in appropriate order -- FOREIGN PATENT DOCUMENTS

JP 808784 3/1991  
JP 825235 12/1991 --

Signed and Sealed this

Third Day of February, 2004



JON W. DUDAS  
*Acting Director of the United States Patent and Trademark Office*