



US00D478877S

(12) **United States Design Patent**
Hoshiba

(10) **Patent No.:** **US D478,877 S**

(45) **Date of Patent:** **** Aug. 26, 2003**

(54) **LIGHT EMITTING DIODE**

D453,745 S * 2/2002 Suenaga D13/180

(75) Inventor: **Toshiyuki Hoshiba, Anan (JP)**

FOREIGN PATENT DOCUMENTS

(73) Assignee: **Nichia Corporation, Anan (JP)**

JP D984224 S 7/1997
JP D984224 S 10/1997
JP D1077515 S 7/2000

(**) Term: **14 Years**

OTHER PUBLICATIONS

(21) Appl. No.: **29/160,962**

Surface Mount Type LED—Light Emitting Diode—, Product Guide, May 2001, 6 pages, Cat. No. 01055K, Nichia Corporation, Japan.

(22) Filed: **May 21, 2002**

(30) **Foreign Application Priority Data**

* cited by examiner

Nov. 21, 2001 (JP) 2001-034160
Nov. 21, 2001 (JP) 2001-034161
Nov. 21, 2001 (JP) 2001-034162
Nov. 21, 2001 (JP) 2001-034163
Nov. 21, 2001 (JP) 2001-034164
Nov. 21, 2001 (JP) 2001-034165
Nov. 21, 2001 (JP) 2001-034166
Nov. 21, 2001 (JP) 2001-034167

Primary Examiner—Ted Shooman
Assistant Examiner—Selina Sikder
(74) *Attorney, Agent, or Firm*—Smith Patent Office

(51) **LOC (7) Cl.** **13-03**

(57) **CLAIM**

(52) **U.S. Cl.** **D13/182**

I claim the ornamental design for the light emitting diode, as shown and described.

(58) **Field of Search** D10/104, 106;
D13/180, 182; D26/2, 37; 257/88, 89, 93–96;
313/161; 345/39, 46, 82, 84; 361/820; 362/800

DESCRIPTION

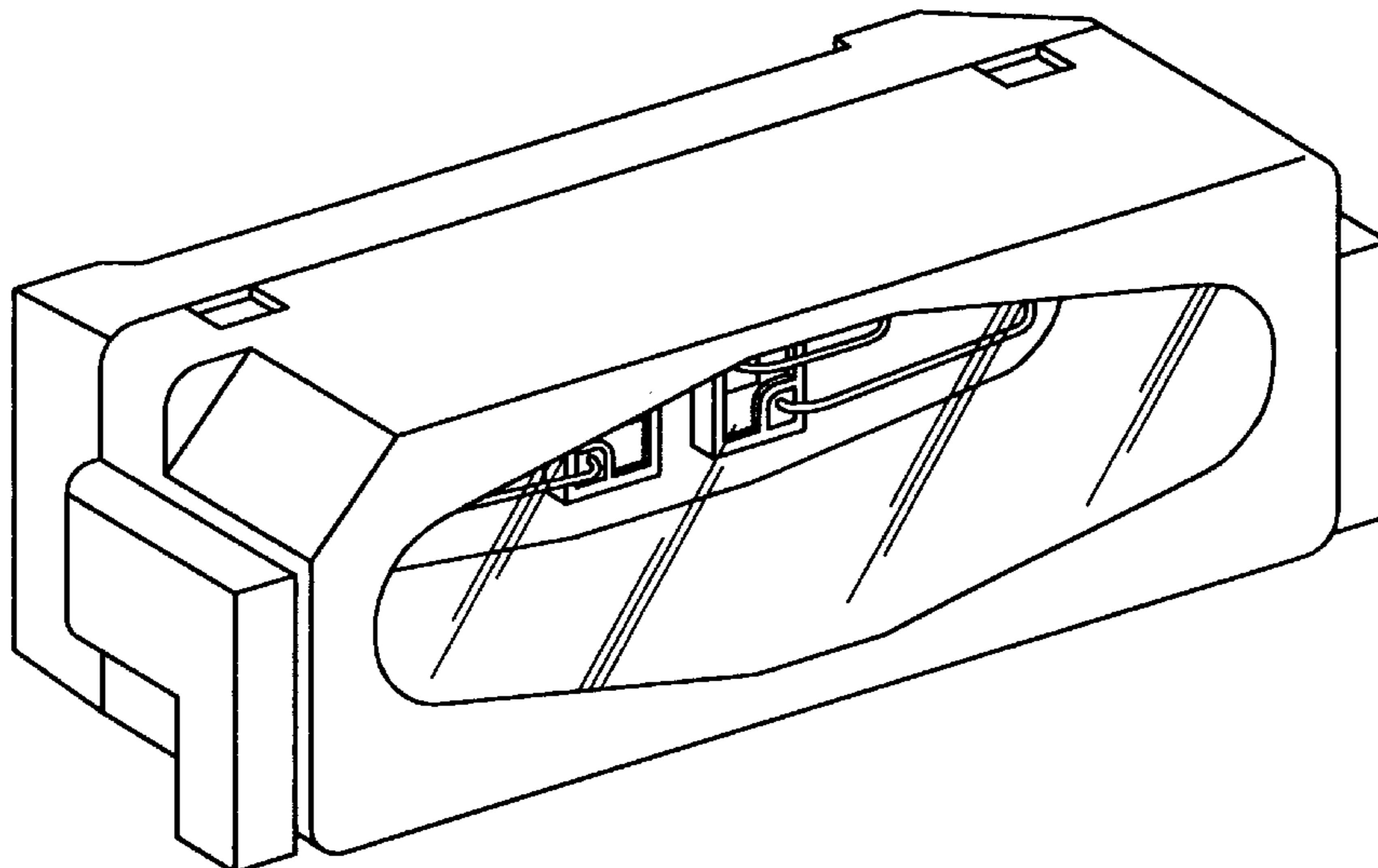
(56) **References Cited**

U.S. PATENT DOCUMENTS

4,152,624 A * 5/1979 Knaebel 313/499
4,959,761 A * 9/1990 Critelli et al. 362/226
D312,979 S * 12/1990 Oesterheld et al. D10/114
D314,919 S * 2/1991 Villar D10/46
5,045,895 A * 9/1991 Yoshida et al. 257/91
5,226,053 A * 7/1993 Cho et al. 372/45
RE36,614 E * 3/2000 Lumbard et al. 313/500
D432,095 S * 10/2000 Seeger et al. D13/182
D437,798 S * 2/2001 Kiba et al. D10/104
D439,351 S * 3/2001 Kiba et al. D26/37
6,315,432 B1 * 11/2001 Kuo 362/287

FIG. 1 is a perspective view of a light emitting diode showing my new design;
FIG. 2 is a plan view of the light emitting diode according to the embodiment of FIG. 1;
FIG. 3 is a left view of the light emitting diode according to the embodiment of FIG. 1;
FIG. 4 is a front elevational view of the light emitting diode having two light emitting diode chips according to the embodiment of FIG. 1;
FIG. 5 is a right view of the light emitting diode according to the embodiment of FIG. 1;
FIG. 6 is a bottom plan of the light emitting diode according to the embodiment of FIG. 1; and,
FIG. 7 is a rear view of the light emitting diode according to the embodiment of FIG. 1.

1 Claim, 2 Drawing Sheets



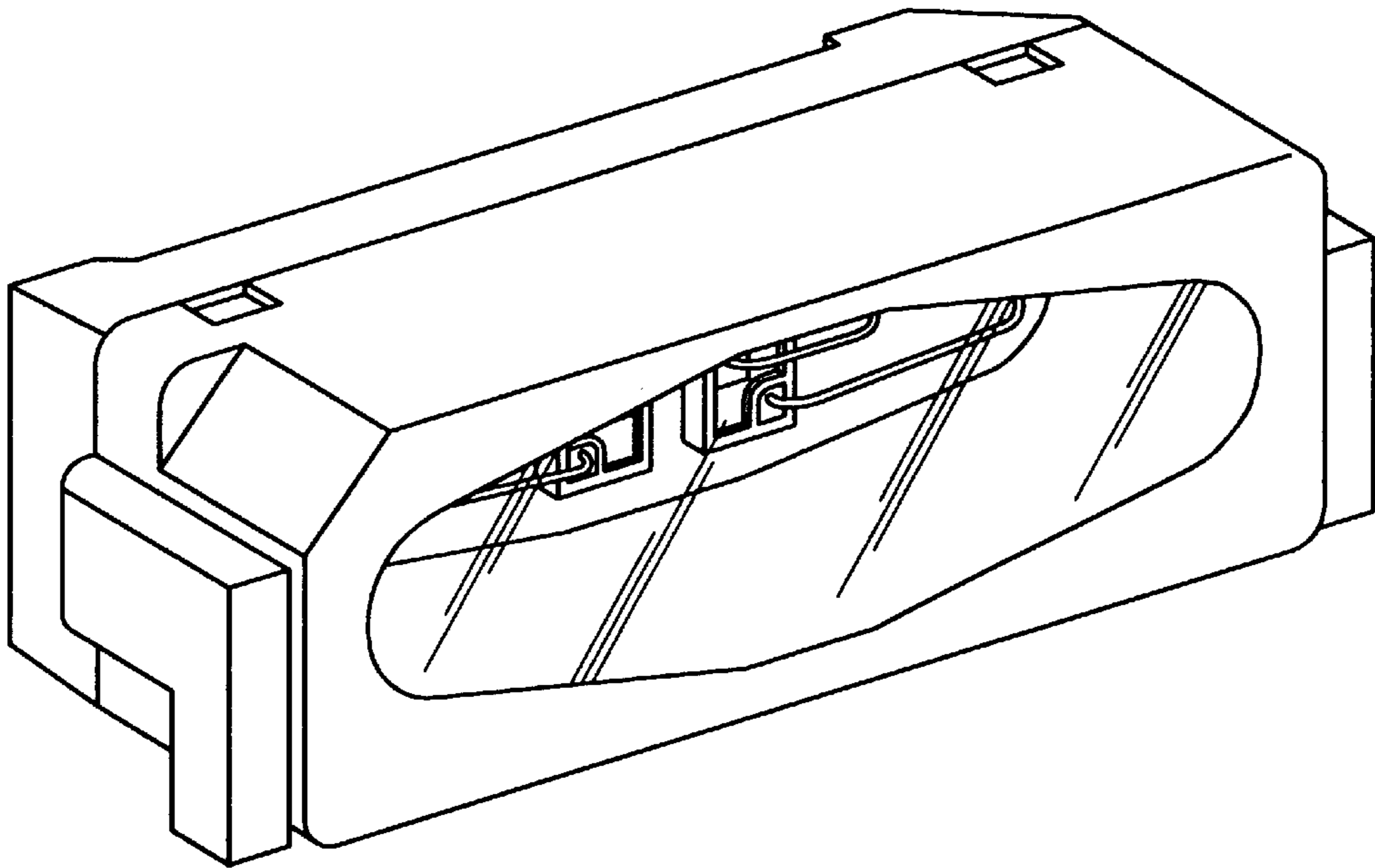


FIG. 1

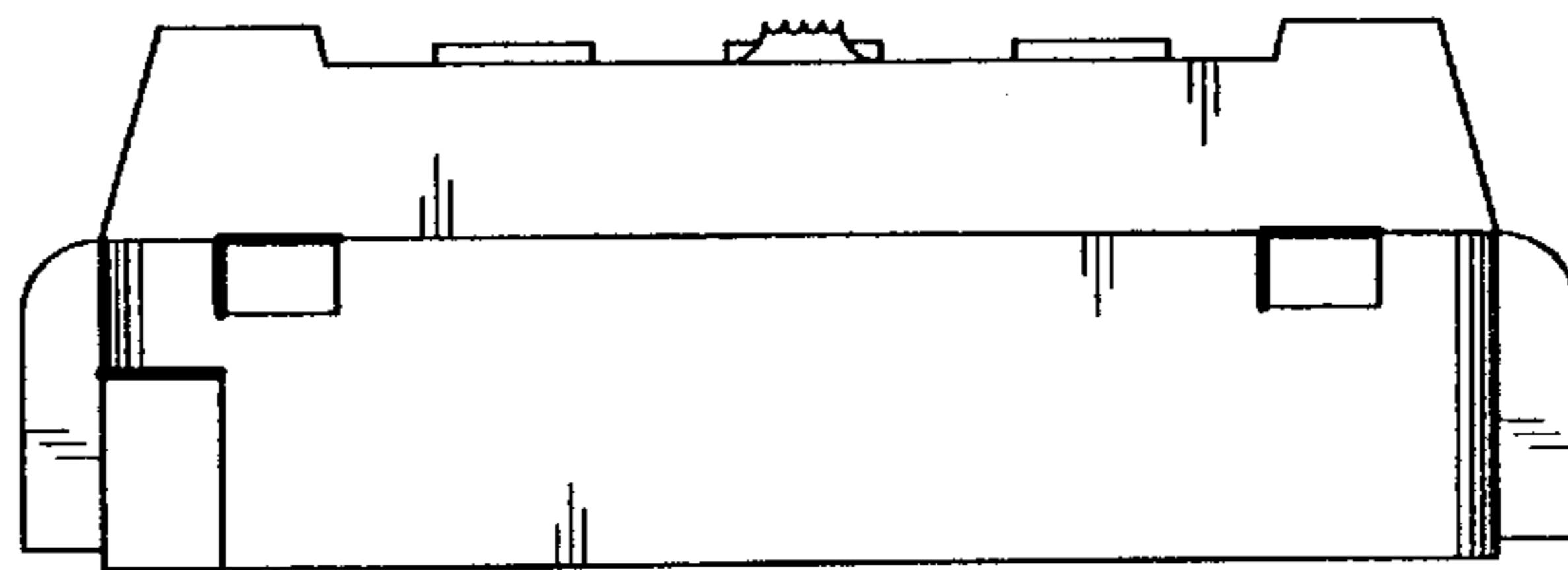


FIG. 2

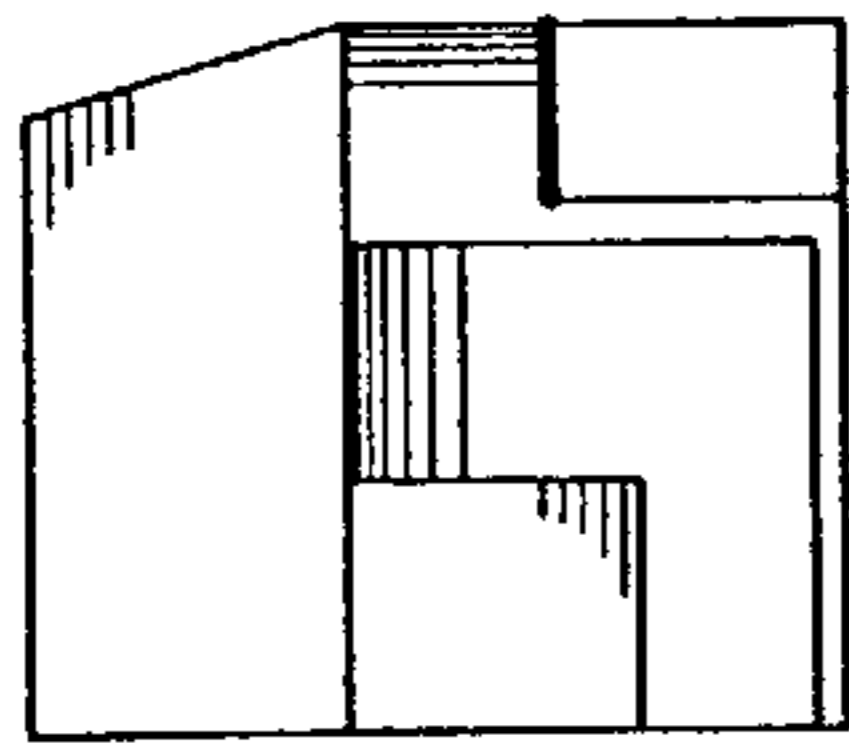


FIG. 3

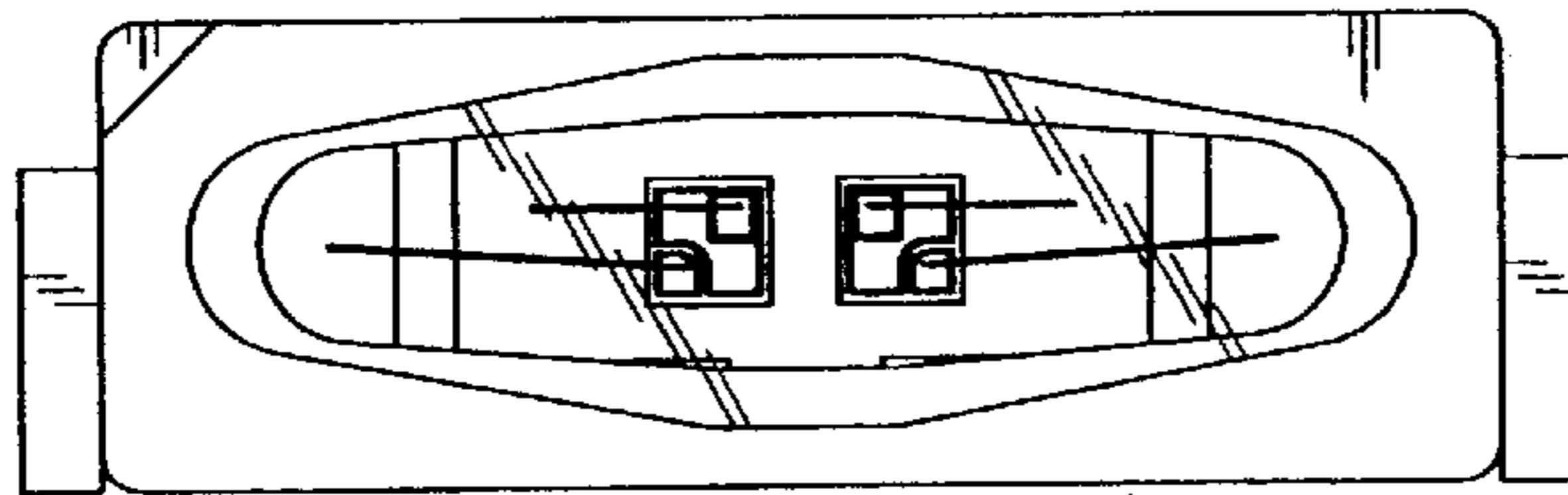


FIG. 4

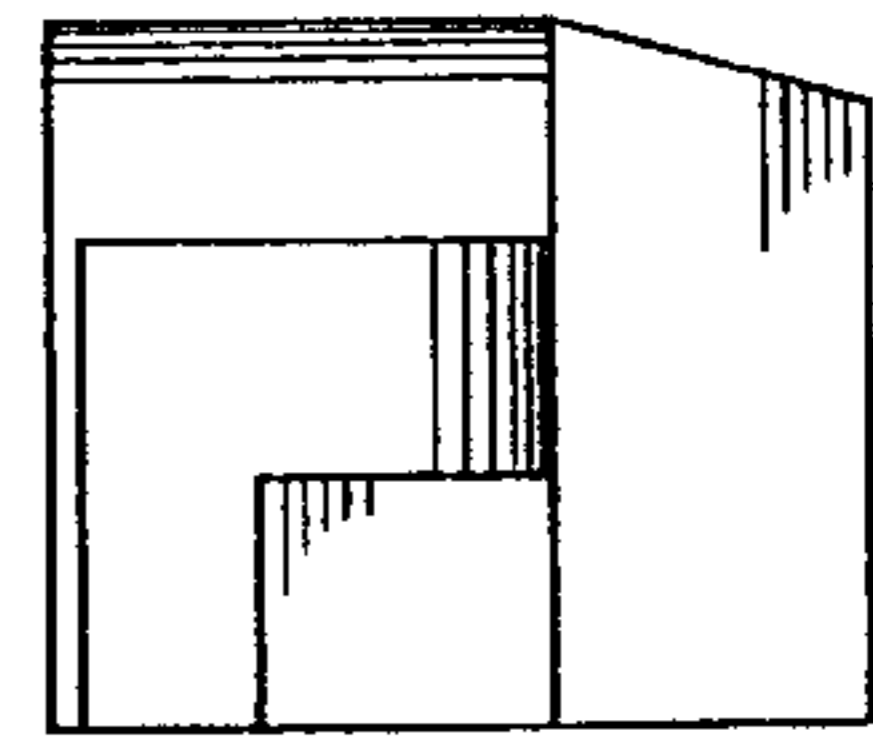


FIG. 5

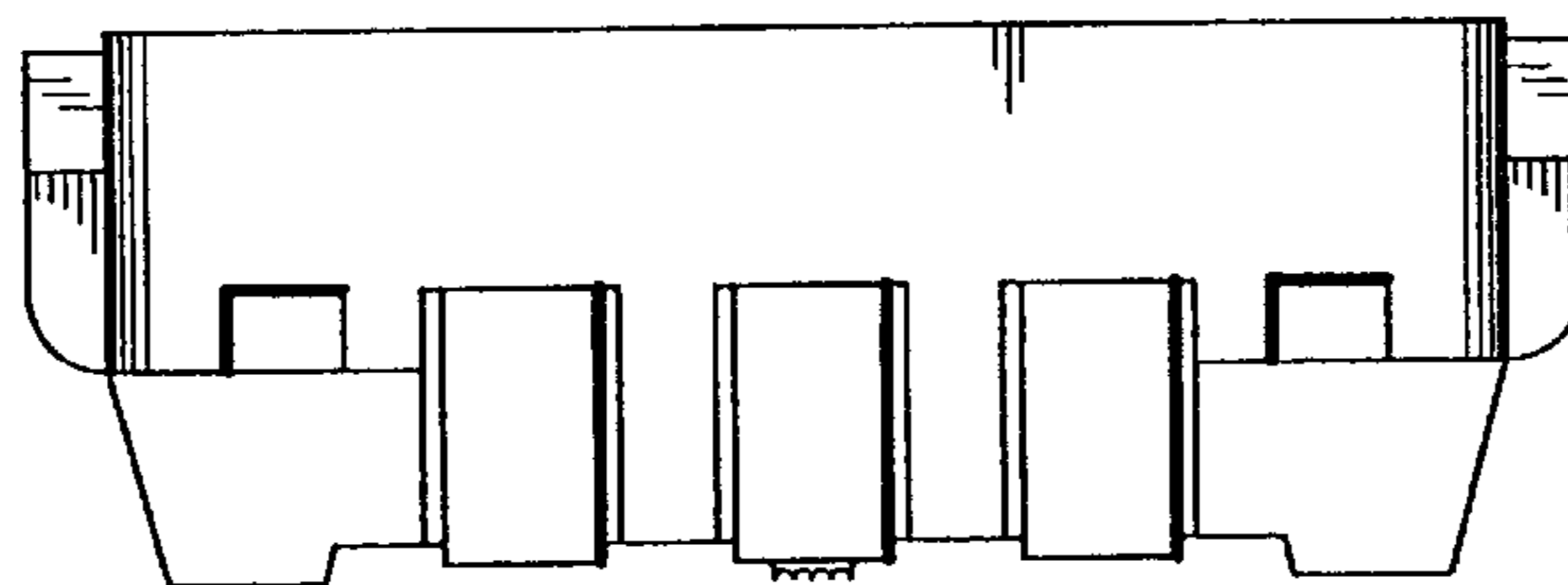


FIG. 6

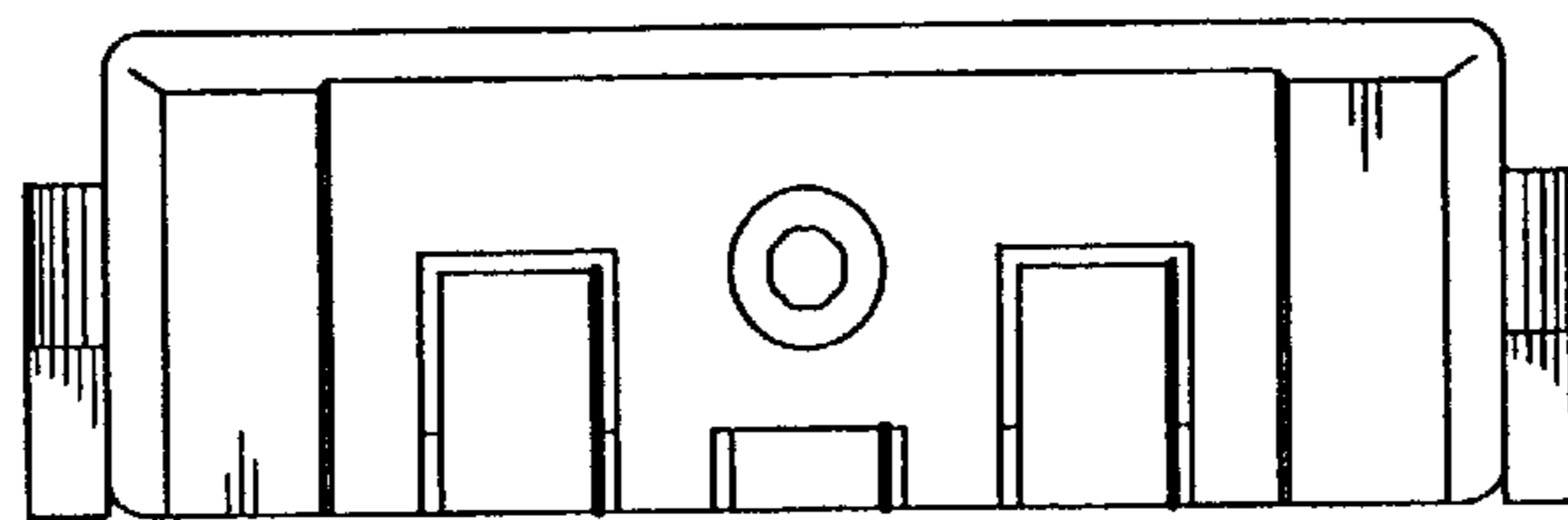


FIG. 7