



US00D478876S

(12) **United States Design Patent**  
**Tan et al.**

(10) **Patent No.:** **US D478,876 S**

(45) **Date of Patent:** **\*\* Aug. 26, 2003**

(54) **COOLER MODULE**

(75) Inventors: **Li-Kuang Tan**, Taoyuan (TW);  
**Yu-Hung Huang**, Ilan (TW);  
**Kuo-Cheng Lin**, Taoyuan (TW);  
**Wen-Shi Huang**, Jungli (TW)

(73) Assignee: **Delta Electronics Inc.**, Taoyuan Hsien (TW)

(\*\*) Term: **14 Years**

(21) Appl. No.: **29/164,424**

(22) Filed: **Jul. 25, 2002**

(30) **Foreign Application Priority Data**

Jul. 15, 2002 (TW) ..... 91303704

(51) **LOC (7) Cl.** ..... **13-03**

(52) **U.S. Cl.** ..... **D13/179**

(58) **Field of Search** ..... D13/179; 165/80.3,  
165/104.33, 121, 122, 146, 185; 174/16.3,  
670, 675, 676, 706, 707, 718, 719, 721,  
722; 361/695, 697, 699, 702, 704, 709,  
514

(56) **References Cited**

**U.S. PATENT DOCUMENTS**

5,791,406 A \* 8/1998 Gonner et al. .... 165/185

5,794,685 A \* 8/1998 Dean ..... 165/121  
D450,044 S \* 11/2001 Lindstrom ..... D13/179  
6,330,905 B1 \* 12/2001 Lin et al. .... 165/80.3  
6,330,908 B1 \* 12/2001 Lee et al. .... 165/185  
6,386,274 B1 \* 5/2002 Wang et al. .... 165/80.3  
6,460,609 B1 \* 10/2002 Cho et al. .... 165/80.3

\* cited by examiner

*Primary Examiner*—Ted Shooman

*Assistant Examiner*—Selina Sikder

(74) *Attorney, Agent, or Firm*—Hoffman, Wasson & Gitler, PC

(57) **CLAIM**

The ornamental design for a cooler module, as shown and described herein.

**DESCRIPTION**

FIG. 1 is a perspective view of a cooler module showing our new design;

FIG. 2 is a right side view thereof;

FIG. 3 is a top view thereof;

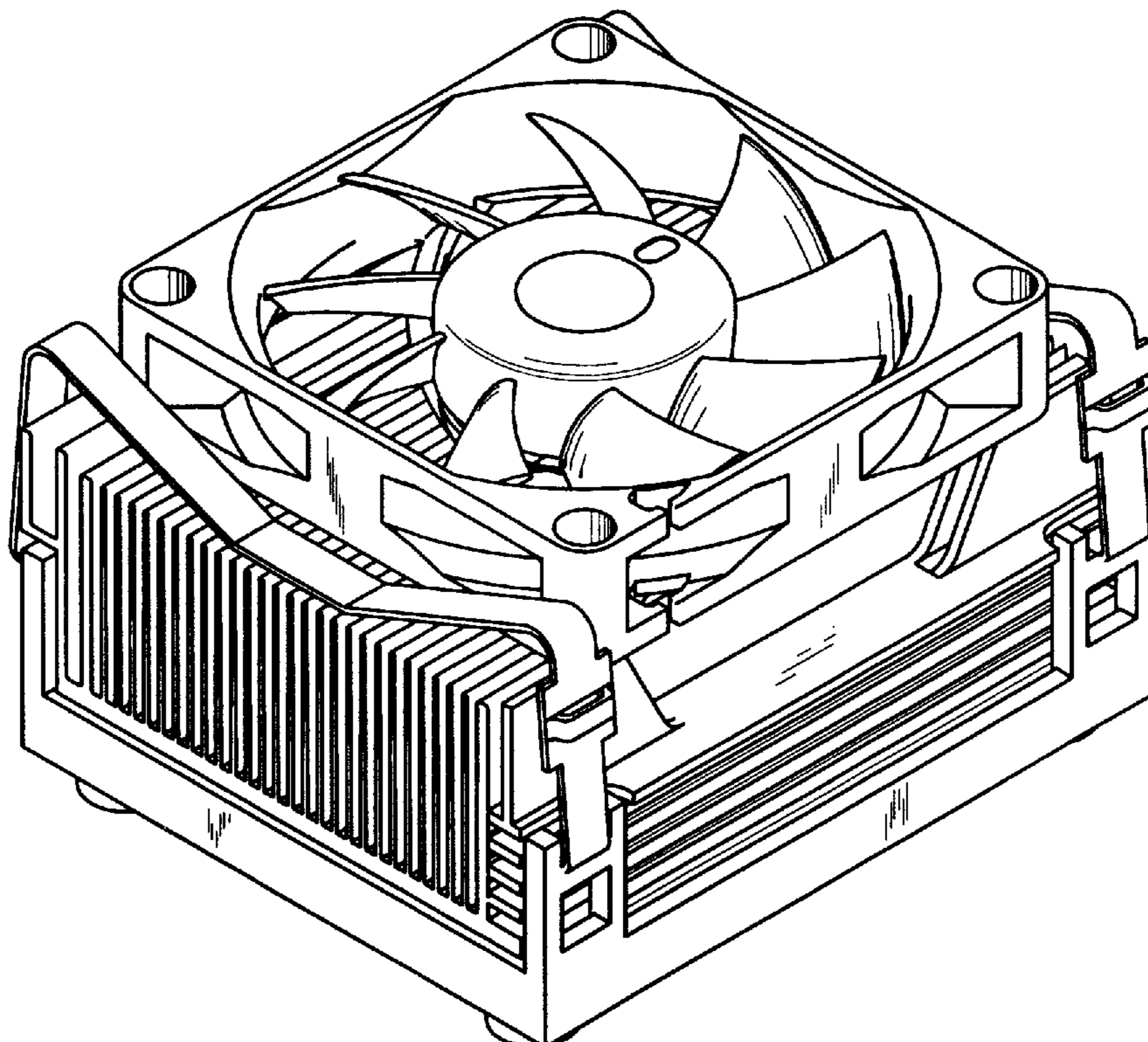
FIG. 4 is a front view thereof;

FIG. 5 is a bottom view thereof;

FIG. 6 is a left side view thereof; and,

FIG. 7 is a rear view thereof.

**1 Claim, 5 Drawing Sheets**



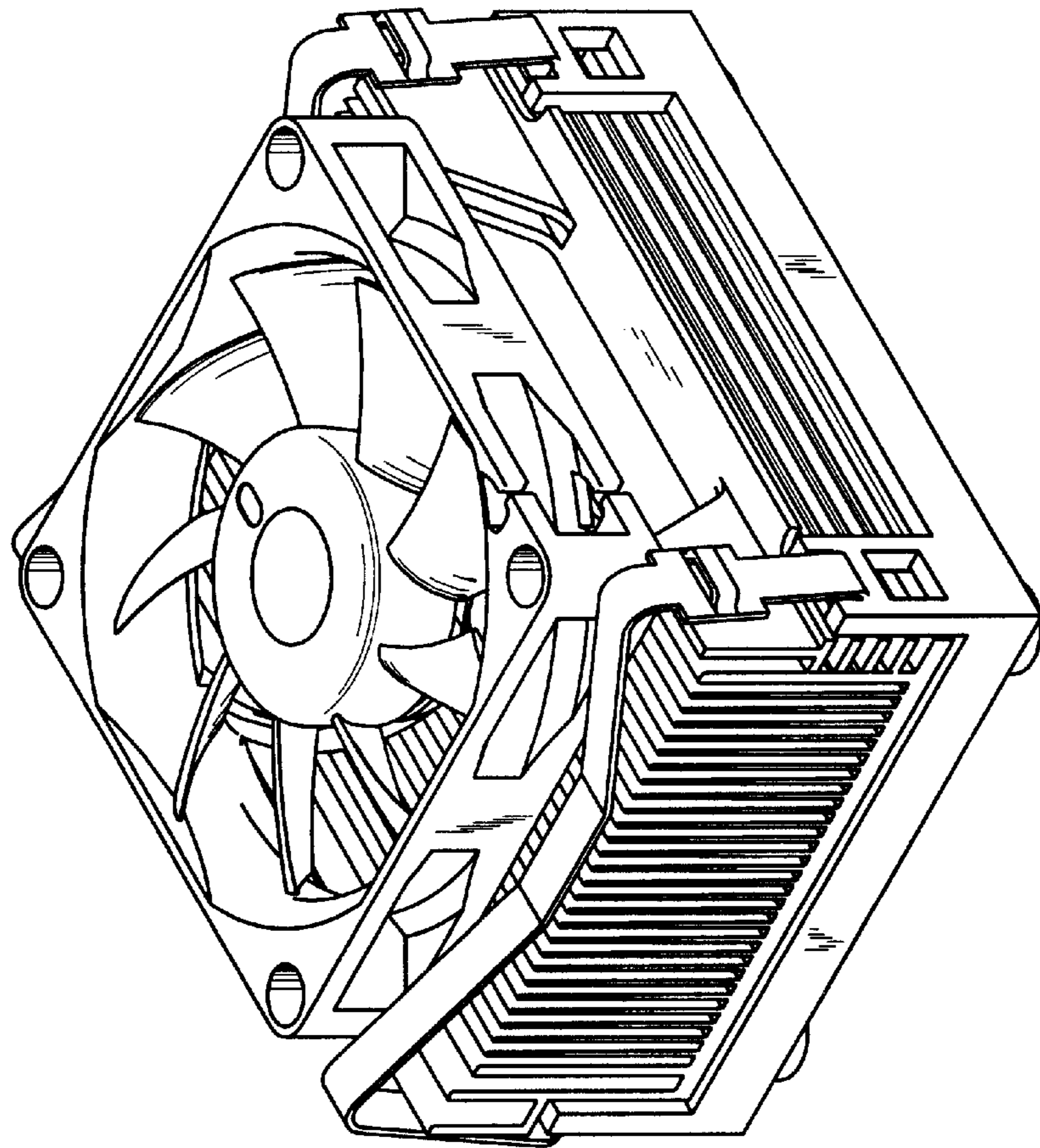


Fig. 1

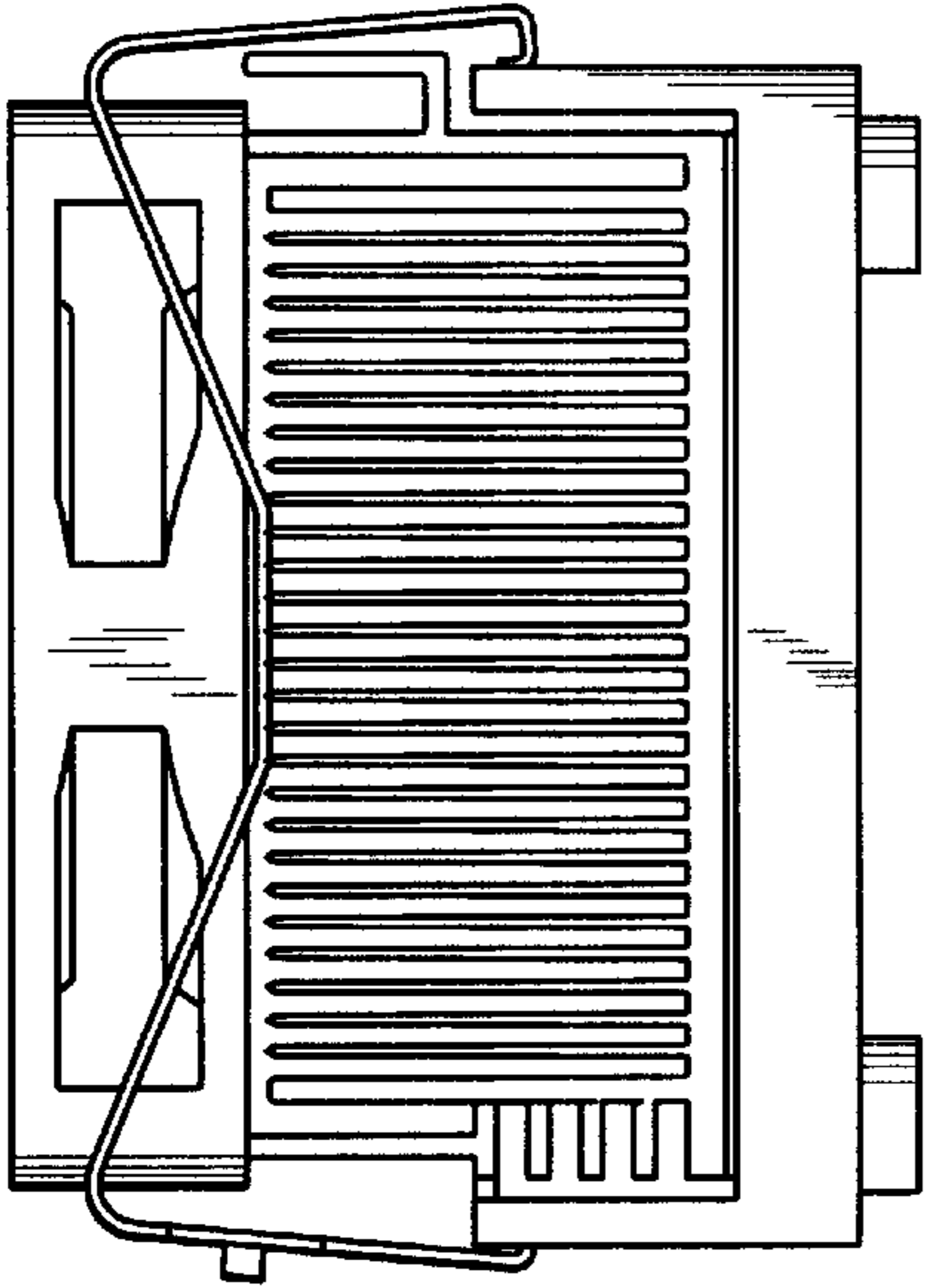


Fig. 2

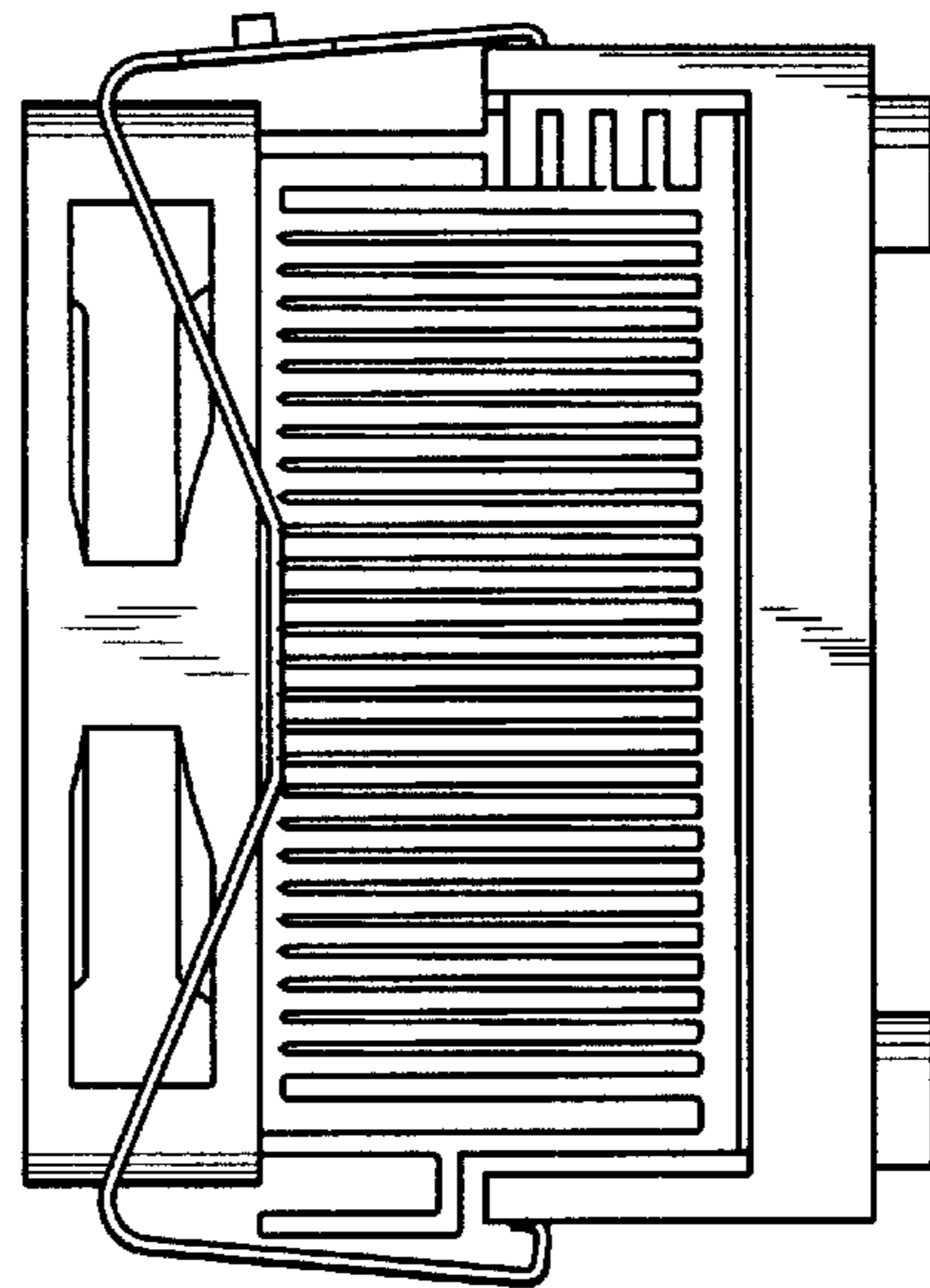


Fig. 6

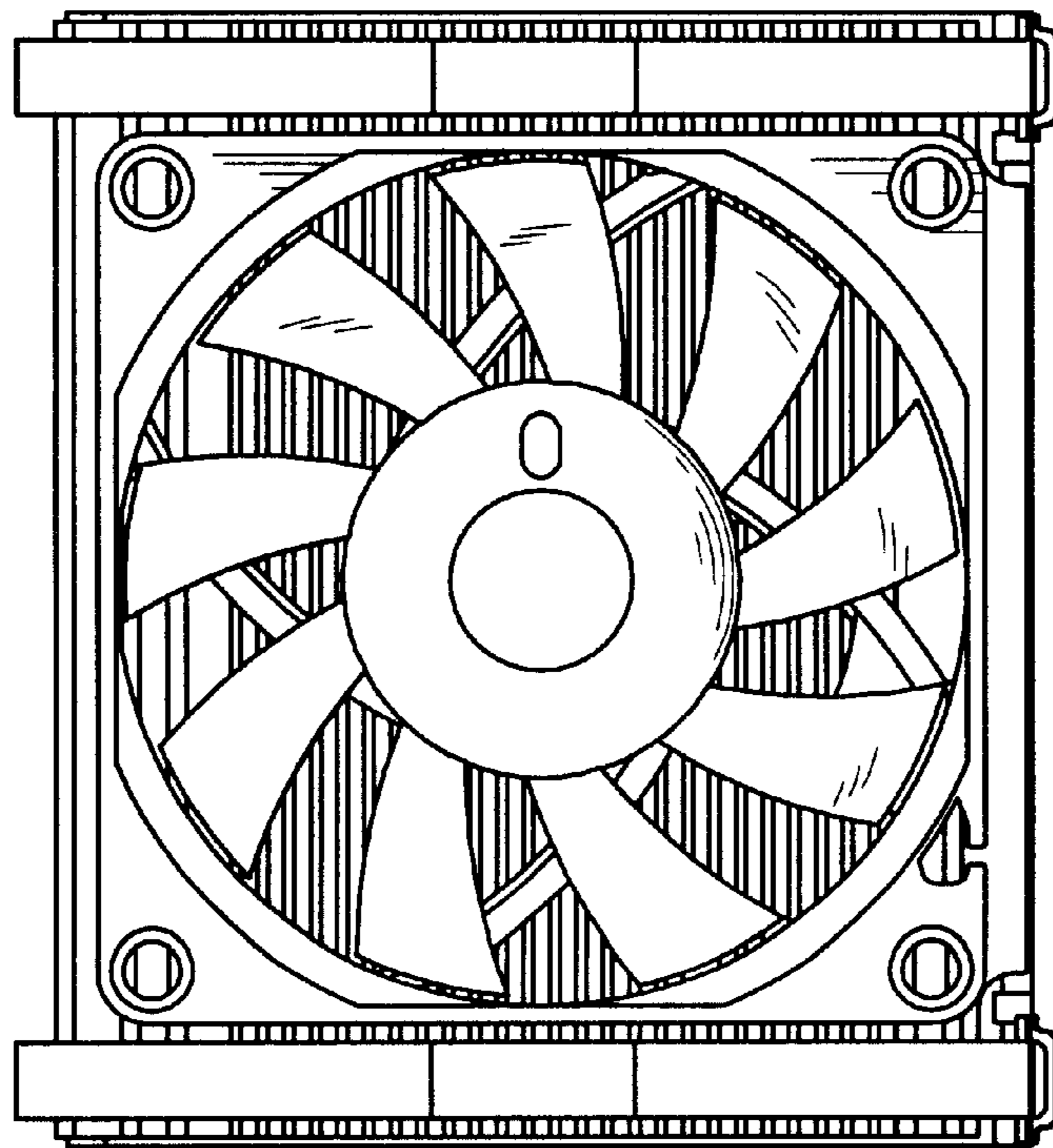


Fig. 3

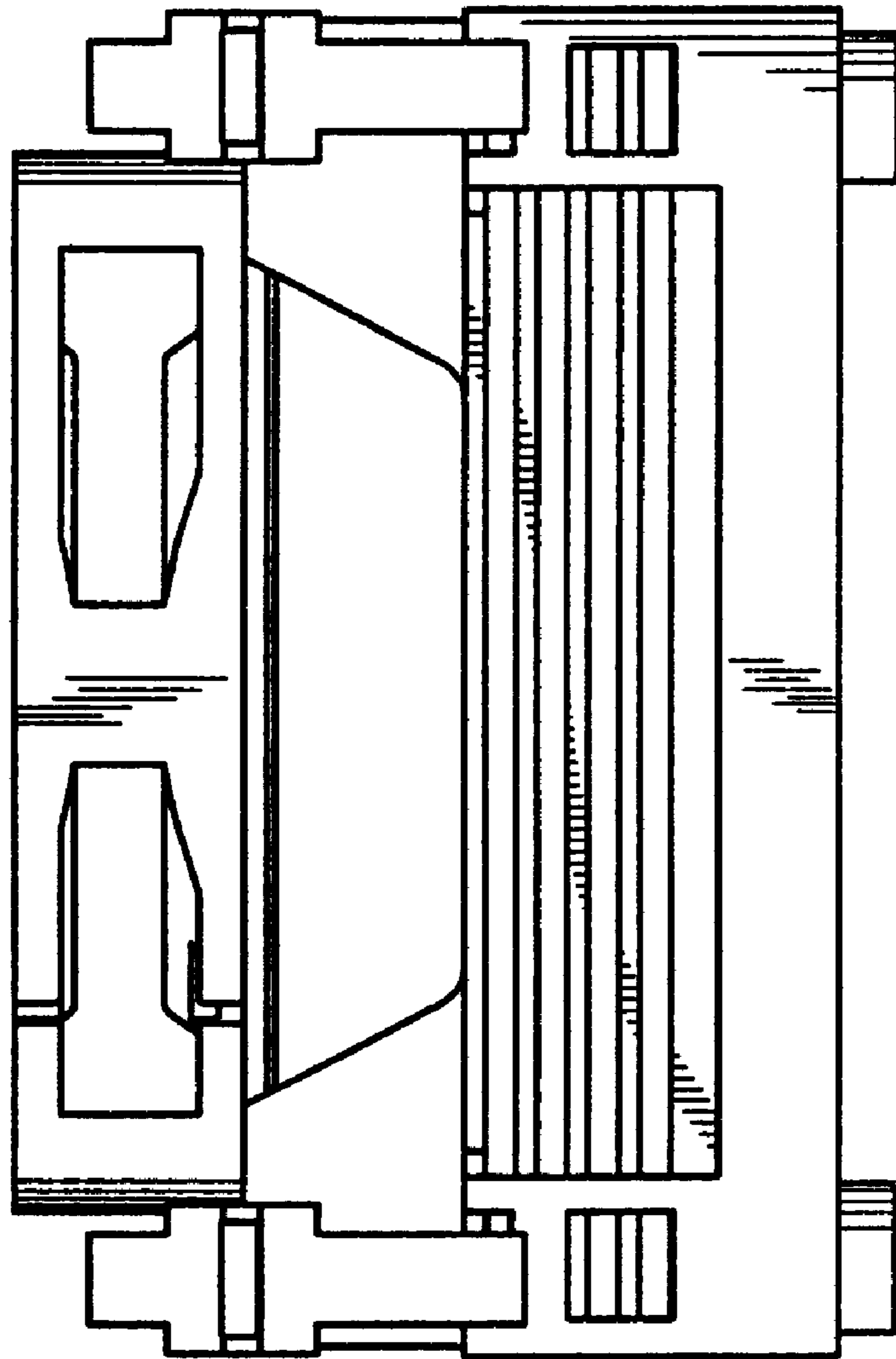


Fig. 4

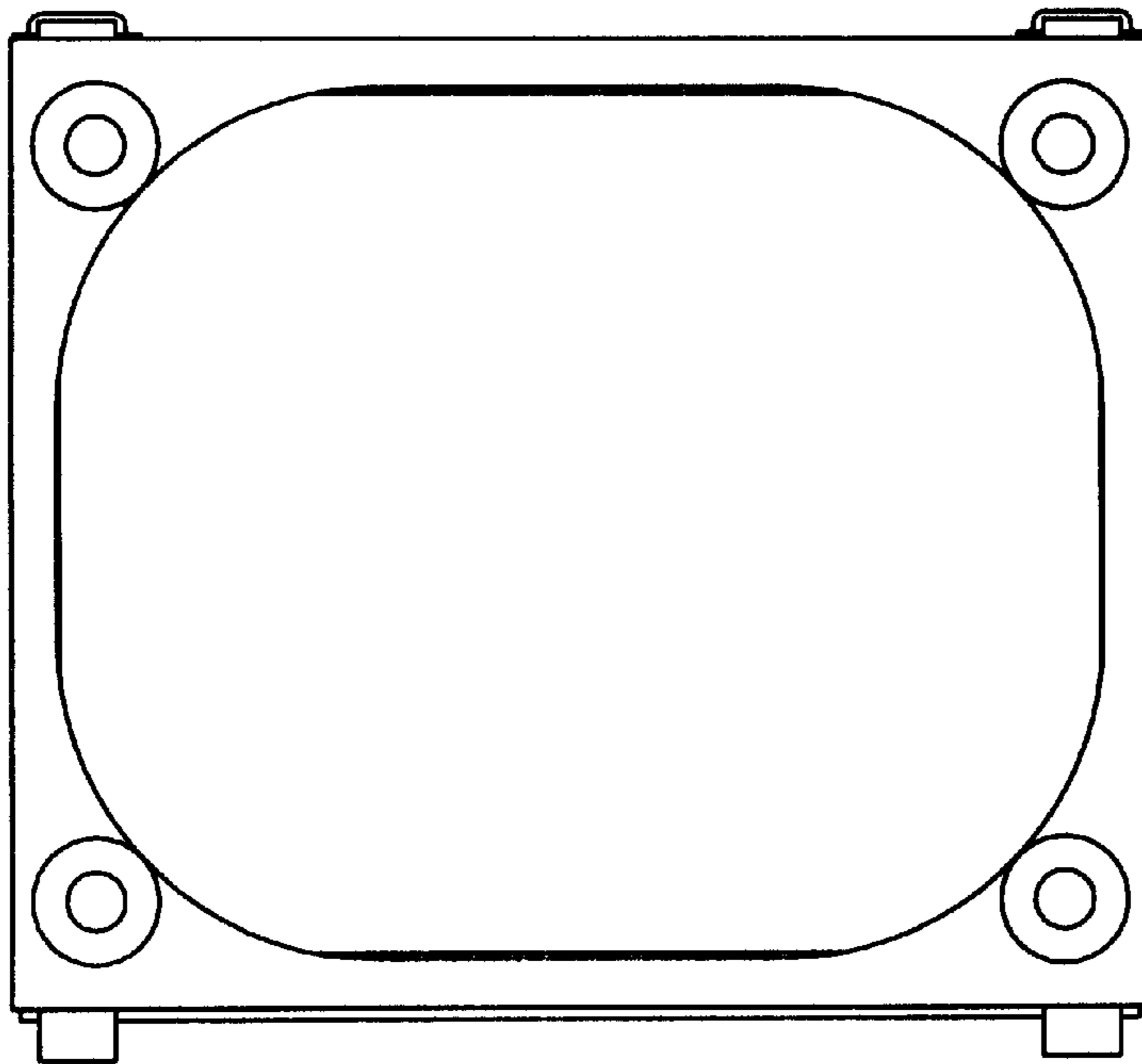


Fig. 5