



US00D478875S

(12) **United States Design Patent**
Lee

(10) **Patent No.:** **US D478,875 S**

(45) **Date of Patent:** **** Aug. 26, 2003**

(54) **DUCT AND HOUSING UNIT FOR A HEAT SINK FOR ELECTRONIC EQUIPMENT**

(75) Inventor: **Sang-cheol Lee**, Kyungki-do (KR)

(73) Assignee: **Zalman Tech Co., Ltd.**, Seoul (KR)

(**) Term: **14 Years**

(21) Appl. No.: **29/159,786**

(22) Filed: **Apr. 30, 2002**

(30) **Foreign Application Priority Data**

Nov. 5, 2001 (KR) 2001-30971

(51) **LOC (7) Cl.** **13-03**

(52) **U.S. Cl.** **D13/179**

(58) **Field of Search** D23/386, 499,
D23/370, 411; D14/432; D13/179, 184;
361/683, 687-688, 696-697, 701-703,
707; 165/185, 80.3; 257/717; 174/16.3

(56) **References Cited**

U.S. PATENT DOCUMENTS

D262,960	S	*	2/1982	Johnson et al.	D13/179
4,457,672	A	*	7/1984	Ogura et al.	D23/370 X
D287,120	S	*	12/1986	McCarthy	D13/179
D377,682	S	*	1/1997	Schlosser et al.	D23/386
5,668,348	A	*	9/1997	Lin	174/16.3
6,021,045	A	*	2/2000	Johnson	165/80.3 X
6,075,699	A	*	6/2000	Rife	174/16.3 X
6,219,242	B1	*	4/2001	Martinez	361/687 X
6,311,766	B1	*	11/2001	Lin et al.	165/80.3
6,386,274	B1	*	5/2002	Wang et al.	165/80.3
6,407,919	B1	*	6/2002	Chou	361/687 X

* cited by examiner

Primary Examiner—Louis S. Zarfes
Assistant Examiner—Robert A. Delehanty

(74) *Attorney, Agent, or Firm*—Leydig, Voit & Mayer, Ltd.

(57) **CLAIM**

I claim the ornamental design for a duct and housing unit for a heat sink for electronic equipment, as shown and described.

DESCRIPTION

FIG. 1 is a perspective view of a duct and housing unit for a heat sink for electronic equipment according to the present invention.

FIG. 2 is a front view of a duct and housing unit for a heat sink for electronic equipment according to the present invention.

FIG. 3 is a rear view of a duct and housing unit for a heat sink for electronic equipment according to the present invention.

FIG. 4 is a right side view of a duct and housing unit for a heat sink for electronic equipment according to the present invention.

FIG. 5 is a left side view of a duct and housing unit for a heat sink for electronic equipment according to the present invention.

FIG. 6 is a top plan view of a duct and housing unit for a heat sink for electronic equipment according to the present invention.

FIG. 7 is a bottom plan view of a duct and housing unit for a heat sink for electronic equipment according to the present invention; and,

FIG. 8 is an exploded perspective view for illustrating the use of the radiator.

The broken line showing of a radiator and fan housing is for illustrative purposes only and forms no part of the claimed design.

1 Claim, 5 Drawing Sheets

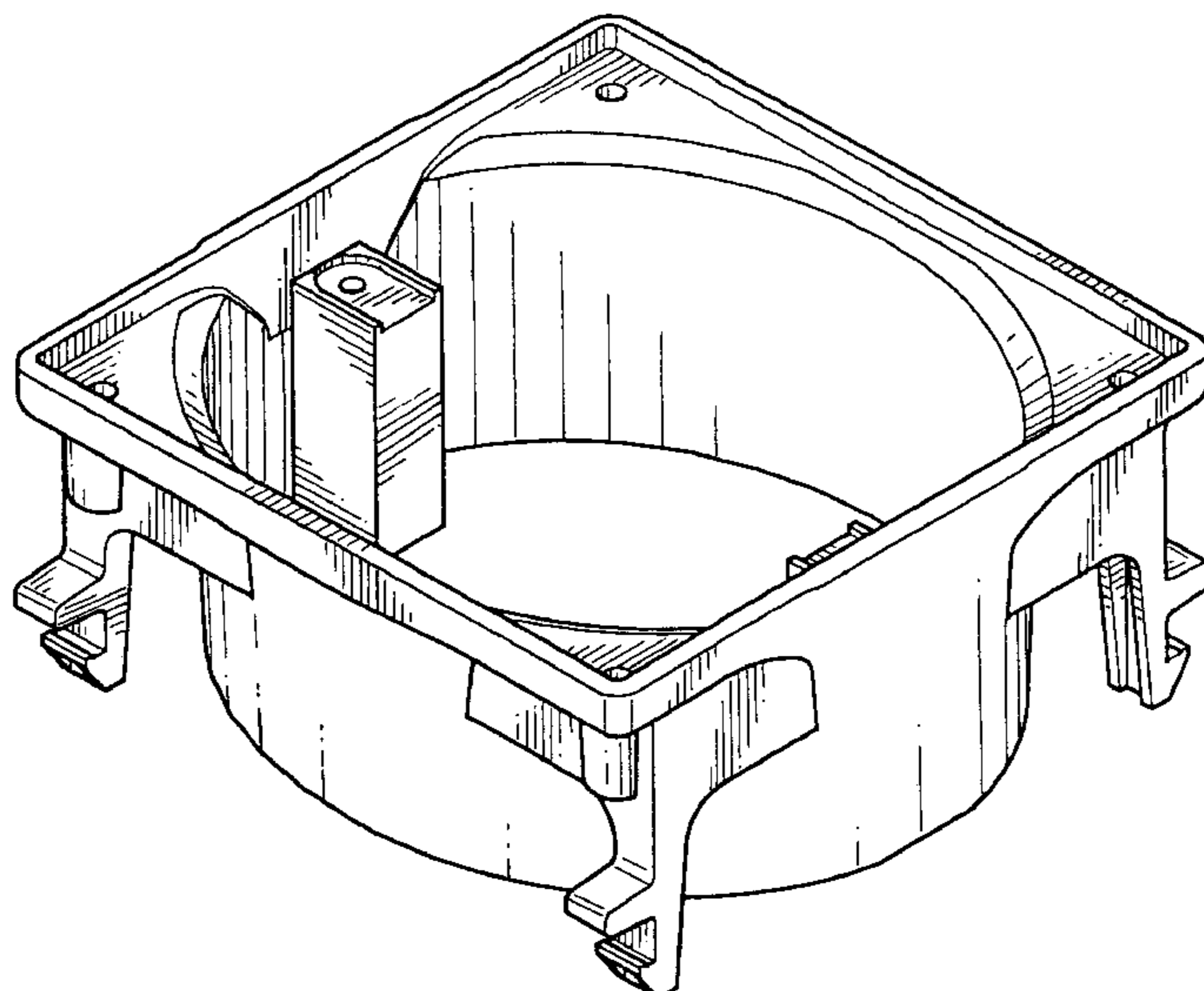


FIG. 1

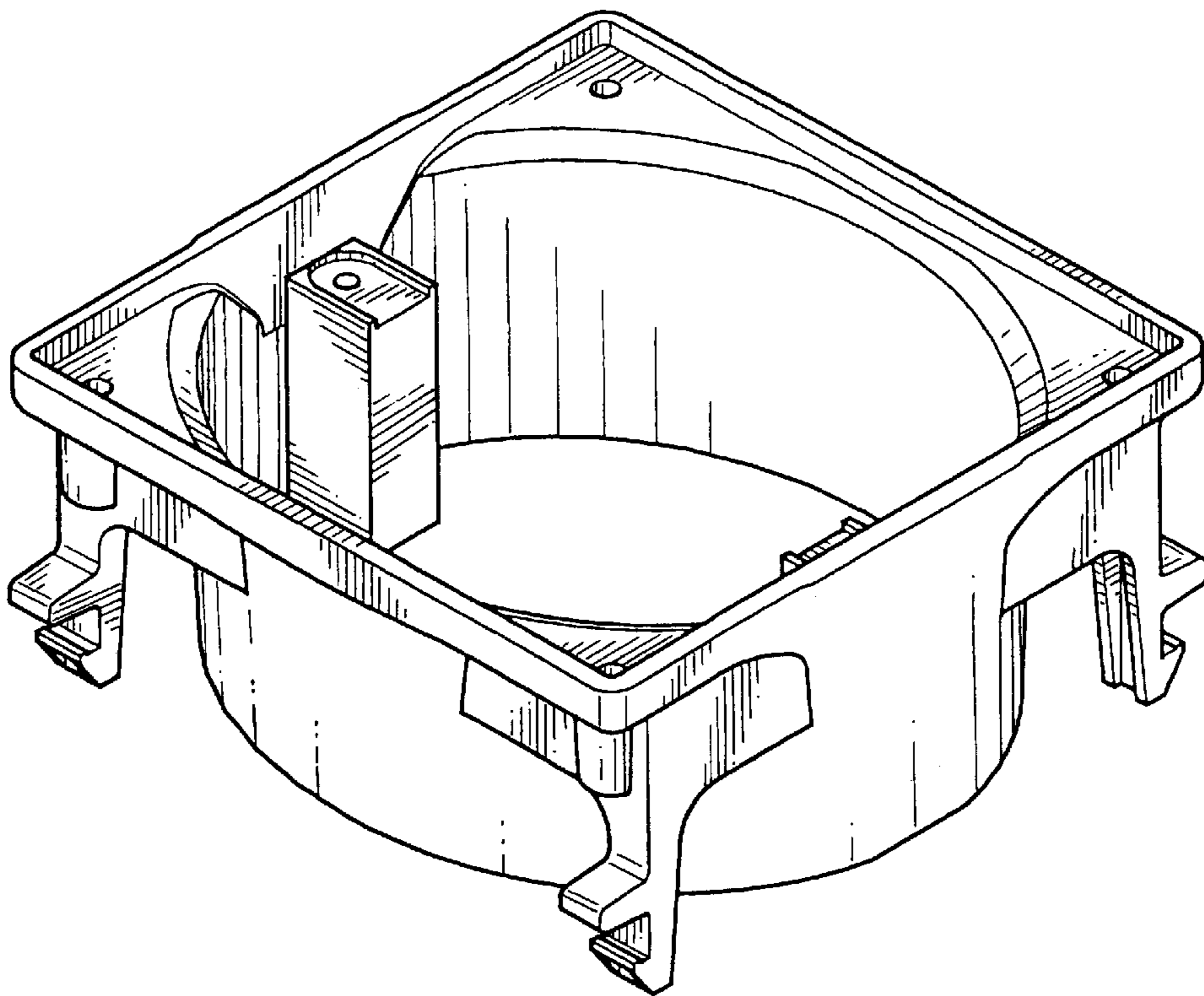


FIG. 2

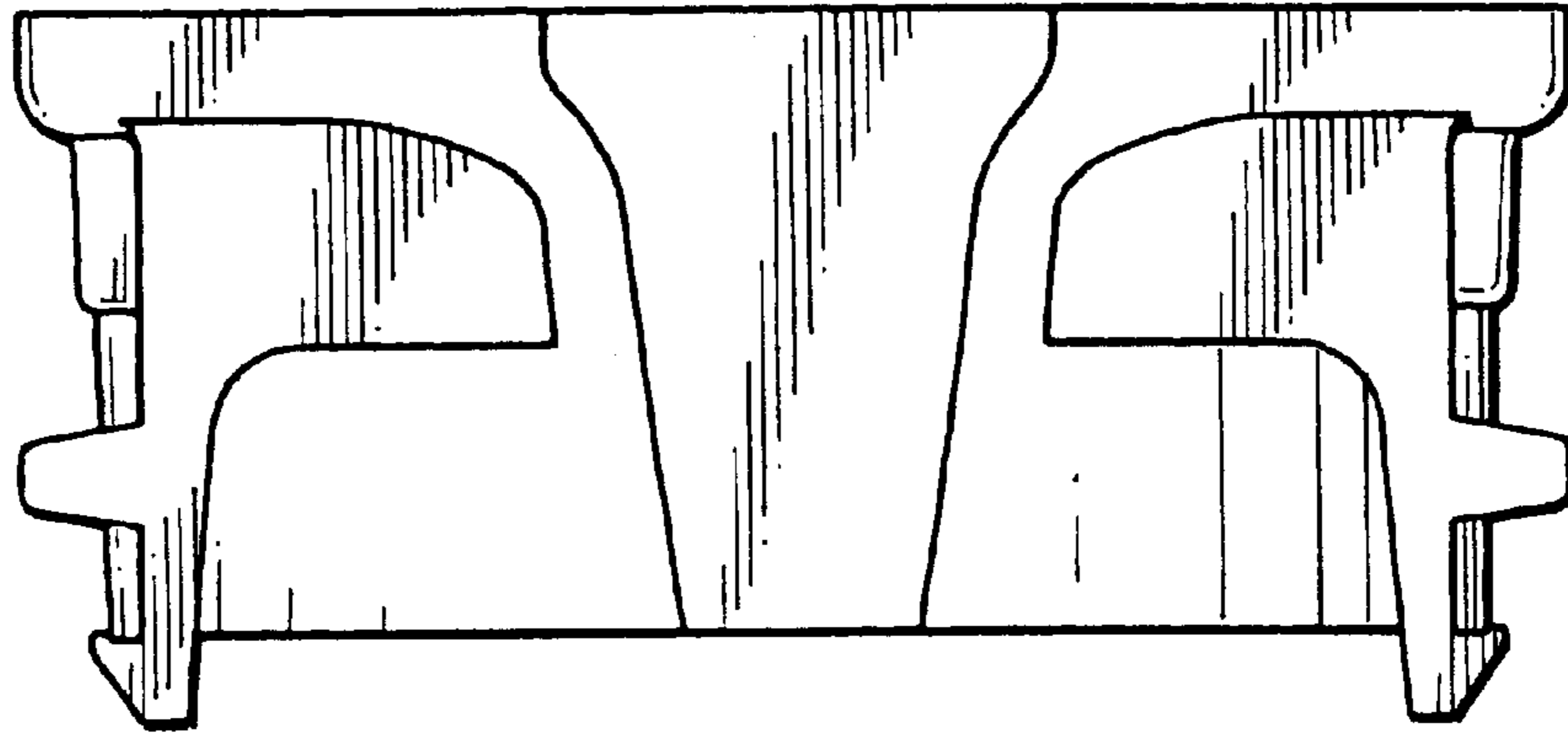


FIG. 3

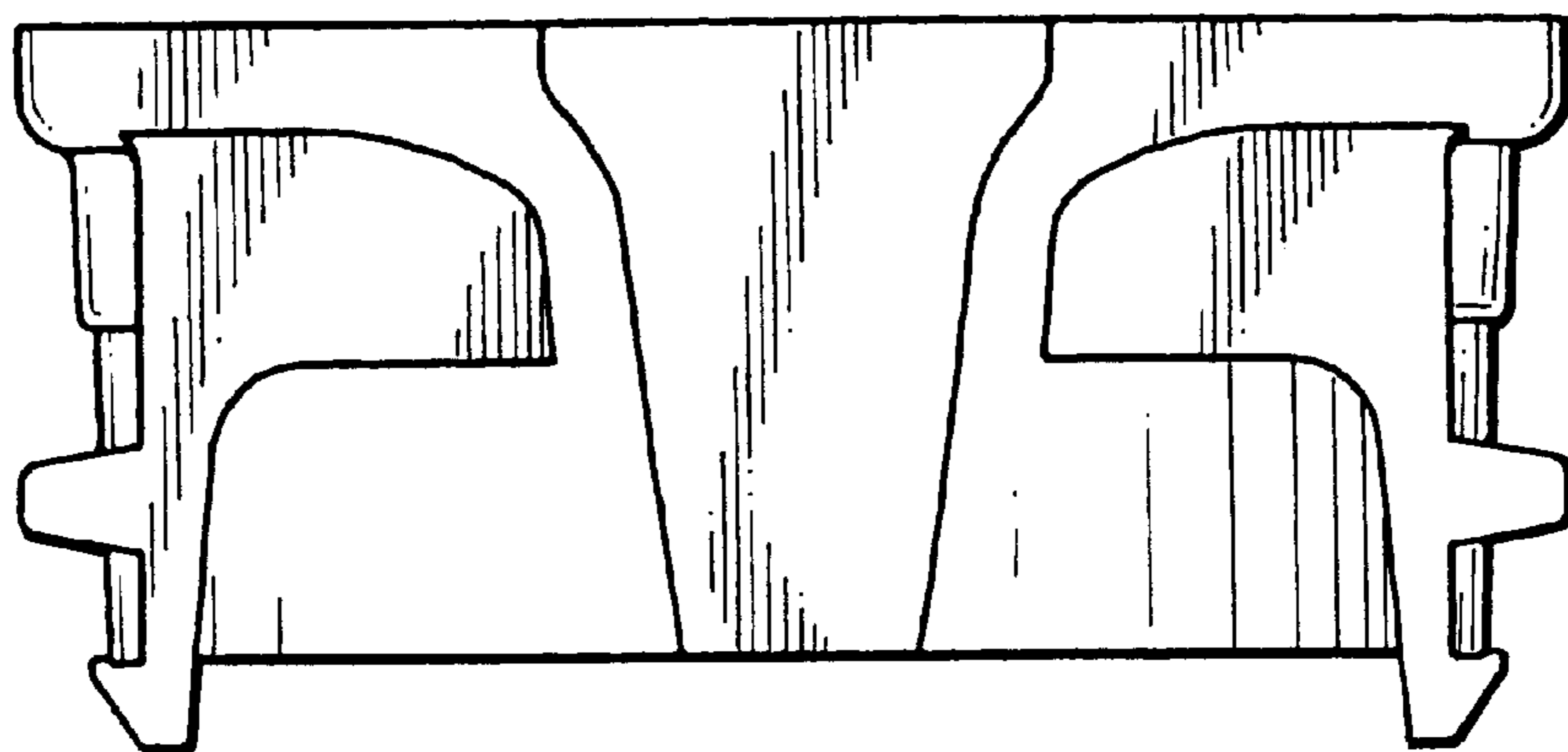


FIG. 4

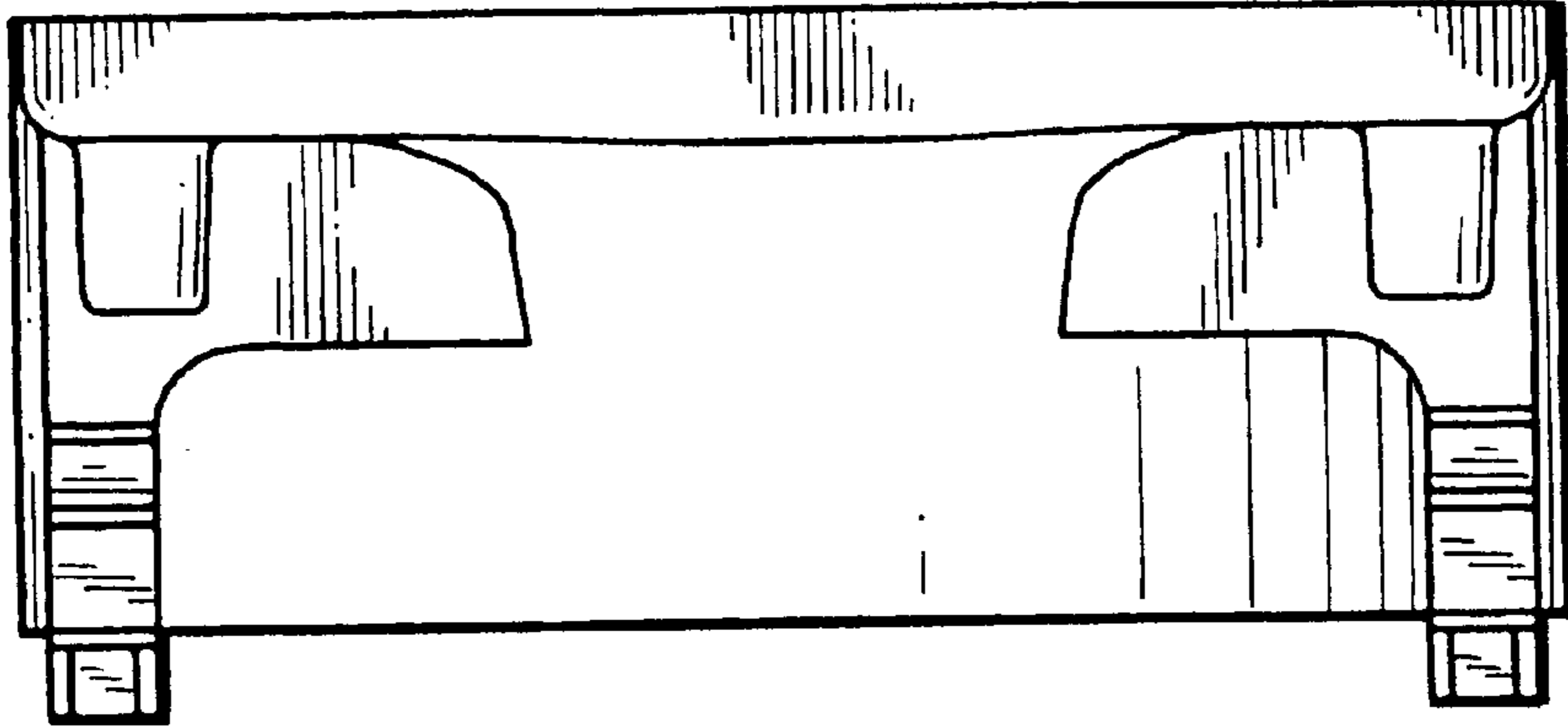


FIG. 5

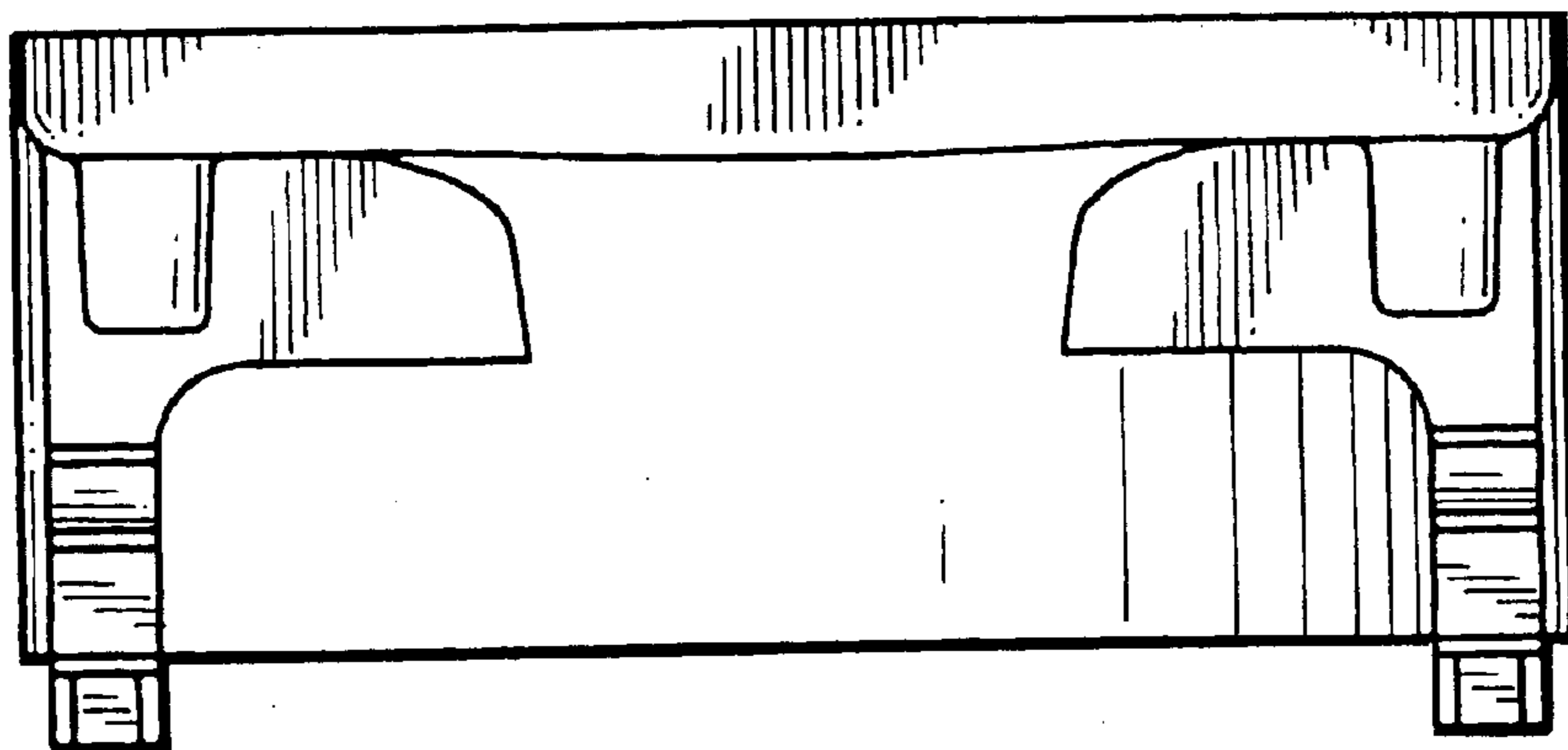


FIG. 6

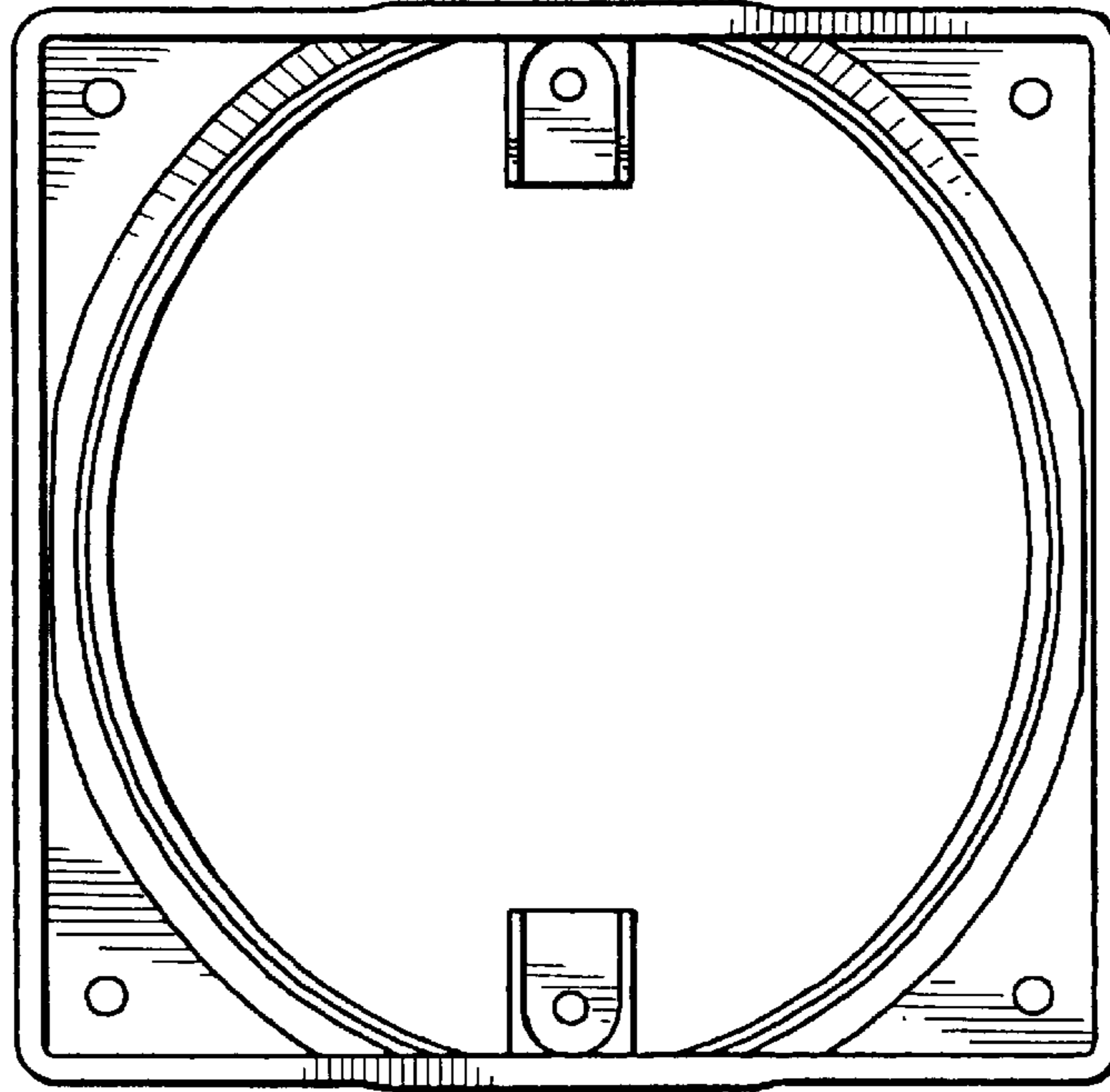


FIG. 7

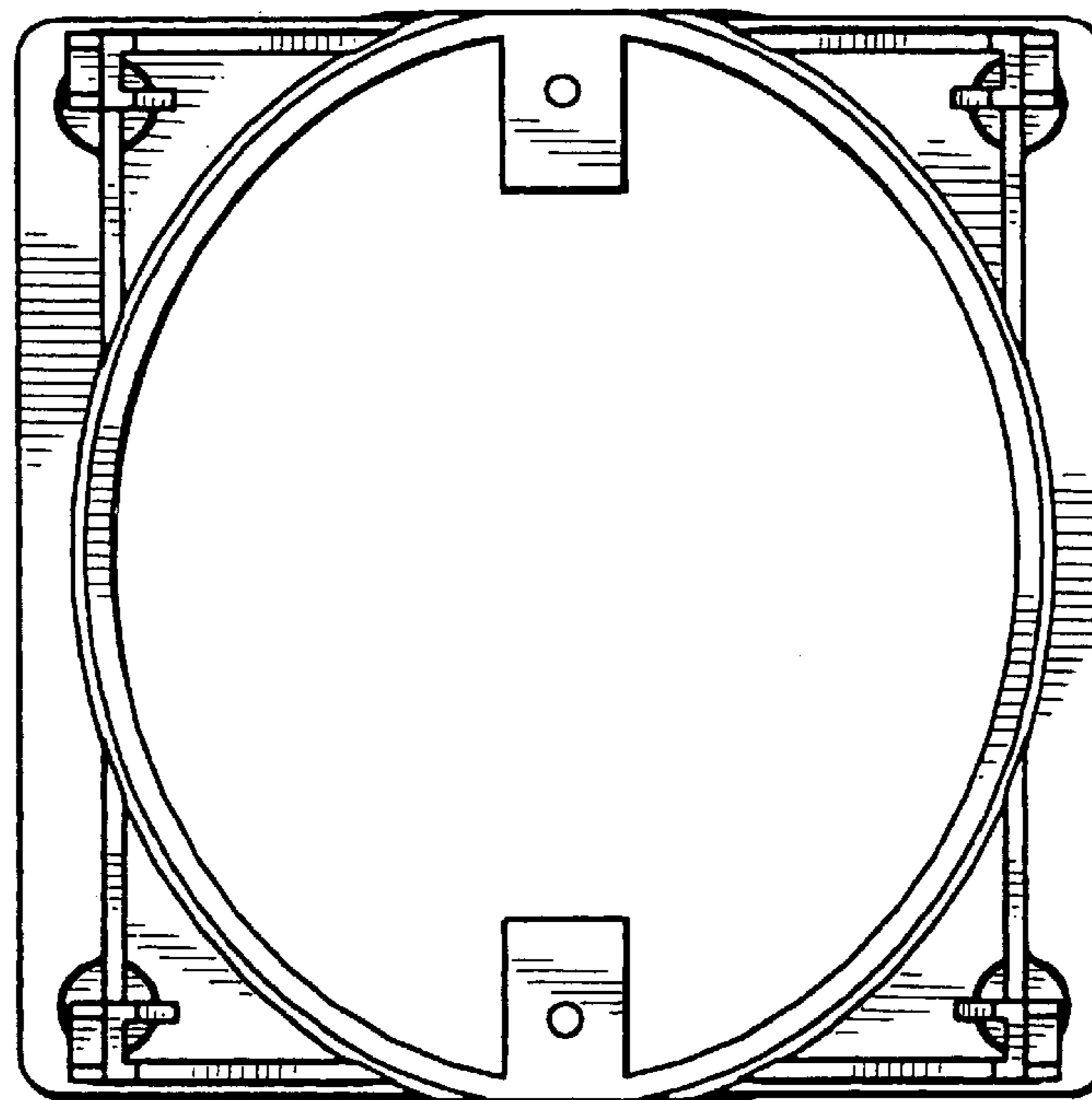


FIG. 8

