



US00D478870S

(12) **United States Design Patent**
Fang

(10) **Patent No.:** **US D478,870 S**

(45) **Date of Patent:** **** Aug. 26, 2003**

(54) **LOW PROFILE CONNECTOR**

(75) Inventor: **Hesheng Fang**, Kunsan (CN)

(73) Assignee: **Hon Hai Precision Ind. Co., Ltd.**,
Taipei Hsien (TW)

(**) Term: **14 Years**

(21) Appl. No.: **29/171,494**

(22) Filed: **Nov. 21, 2002**

(30) **Foreign Application Priority Data**

Sep. 25, 2002 (TW) 91305384

(51) **LOC (7) Cl.** **13-03**

(52) **U.S. Cl.** **D13/147**

(58) **Field of Search** D13/146, 147,
D13/154; 439/607, 609, 79, 939

(56) **References Cited**

U.S. PATENT DOCUMENTS

- 4,908,335 A * 3/1990 Cosmos et al. 439/79
- 5,288,248 A * 2/1994 Chen 439/609
- 5,622,523 A * 4/1997 Kan et al. 439/607
- 5,908,331 A * 6/1999 Hsu et al. 439/607

- 5,913,698 A * 6/1999 Keng 439/609
- D416,862 S * 11/1999 Chiou D13/146
- 5,984,727 A * 11/1999 Wu et al. 439/607
- 6,109,966 A * 8/2000 Chiou 439/607
- D434,005 S * 11/2000 Arai D13/146
- D465,458 S * 11/2002 Zhang et al. D13/147
- 6,494,742 B1 * 12/2002 Hu 439/607

* cited by examiner

Primary Examiner—Joel Sincavage

(74) *Attorney, Agent, or Firm*—Wei Te Chung

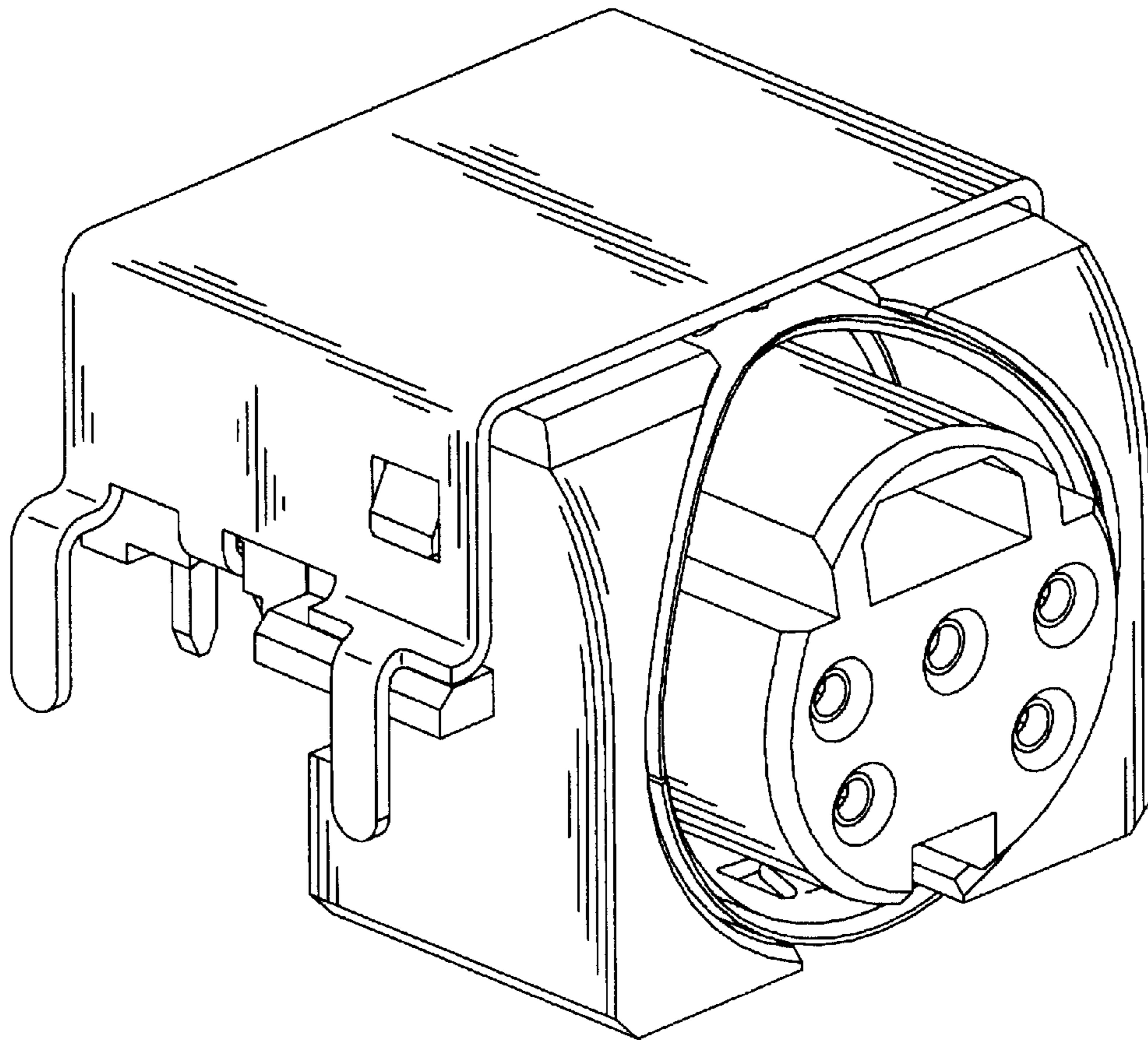
(57) **CLAIM**

The ornamental design for a low profile connector, as shown.

DESCRIPTION

FIG. 1 is a front, top and left side perspective view of a low profile connector showing my new design; FIG. 2 is a front elevational view of FIG. 1; FIG. 3 is a rear elevational view of FIG. 1; FIG. 4 is a left side elevational view of FIG. 1; FIG. 5 is a right side elevational view of FIG. 1; FIG. 6 is a top plan view of FIG. 1; and, FIG. 7 is a bottom plan view of FIG. 1.

1 Claim, 7 Drawing Sheets



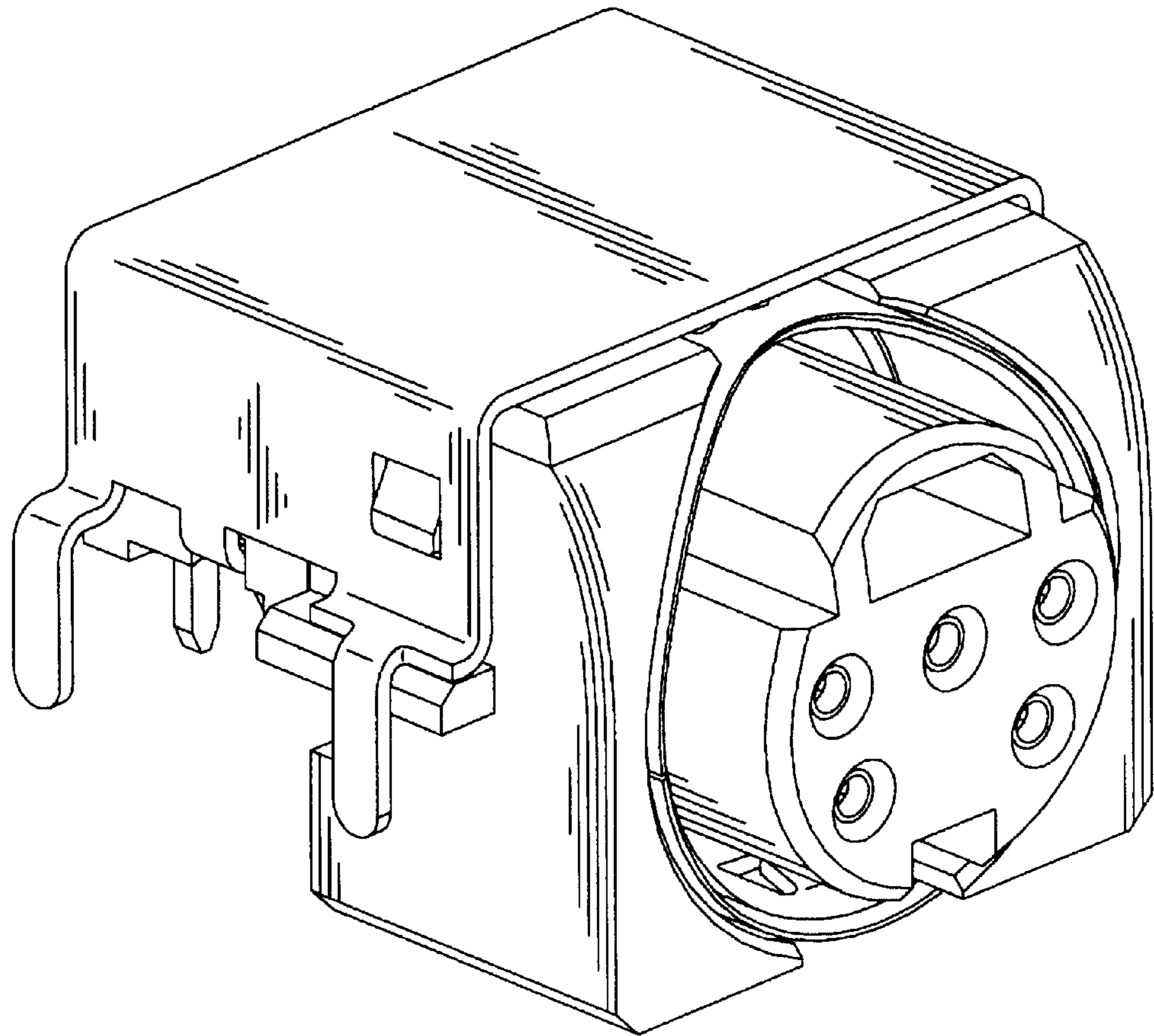


FIG. 1

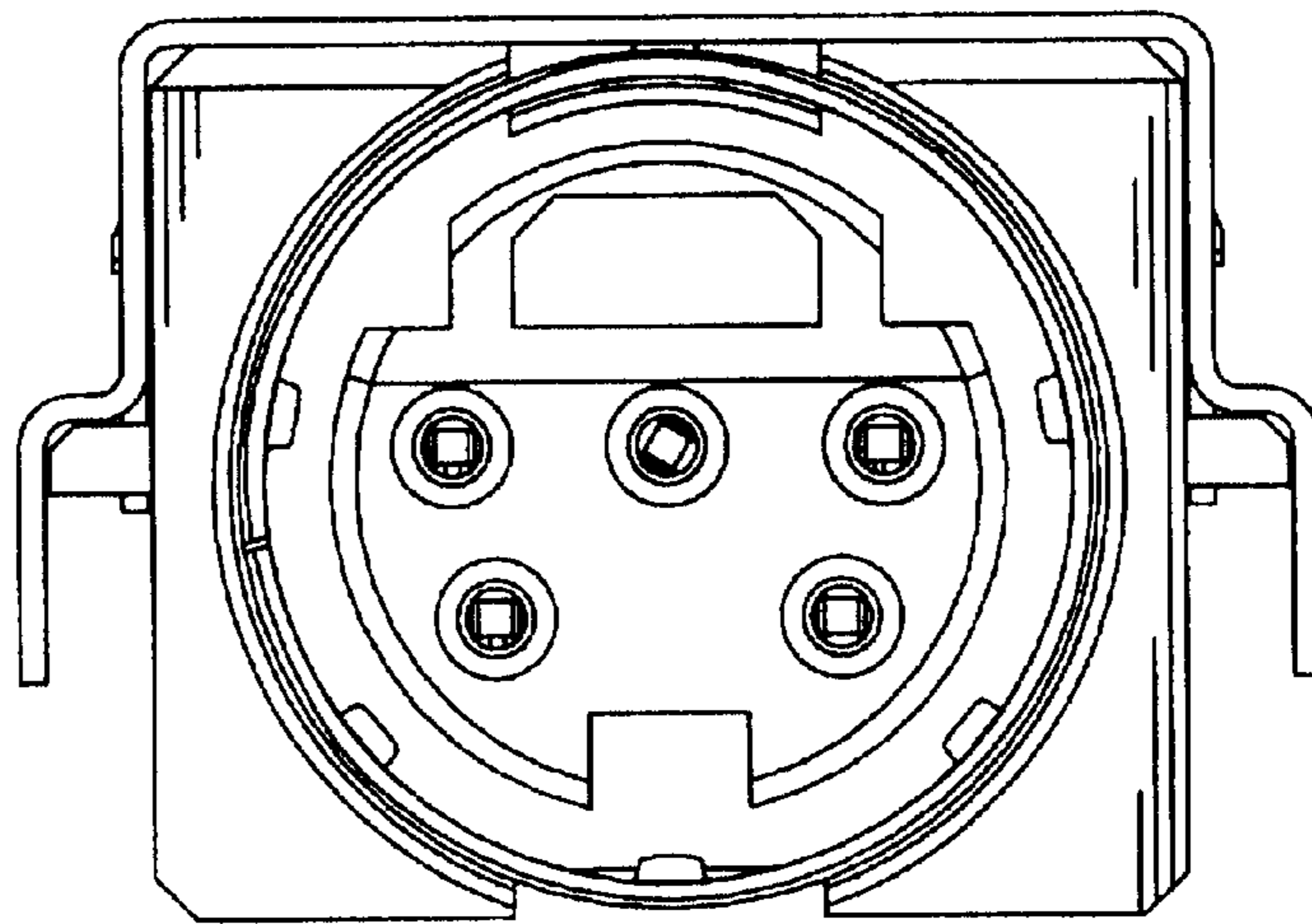


FIG. 2

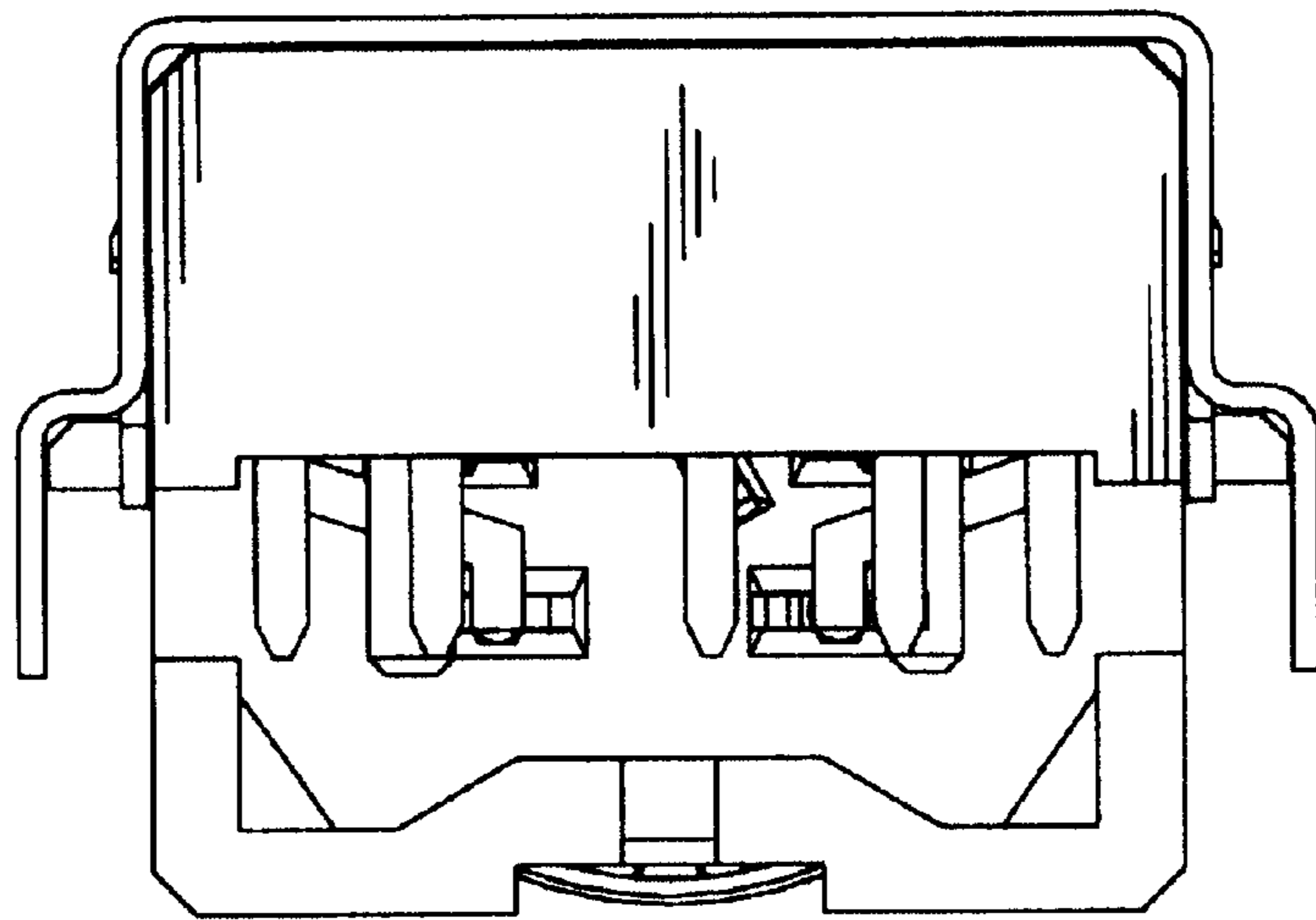


FIG. 3

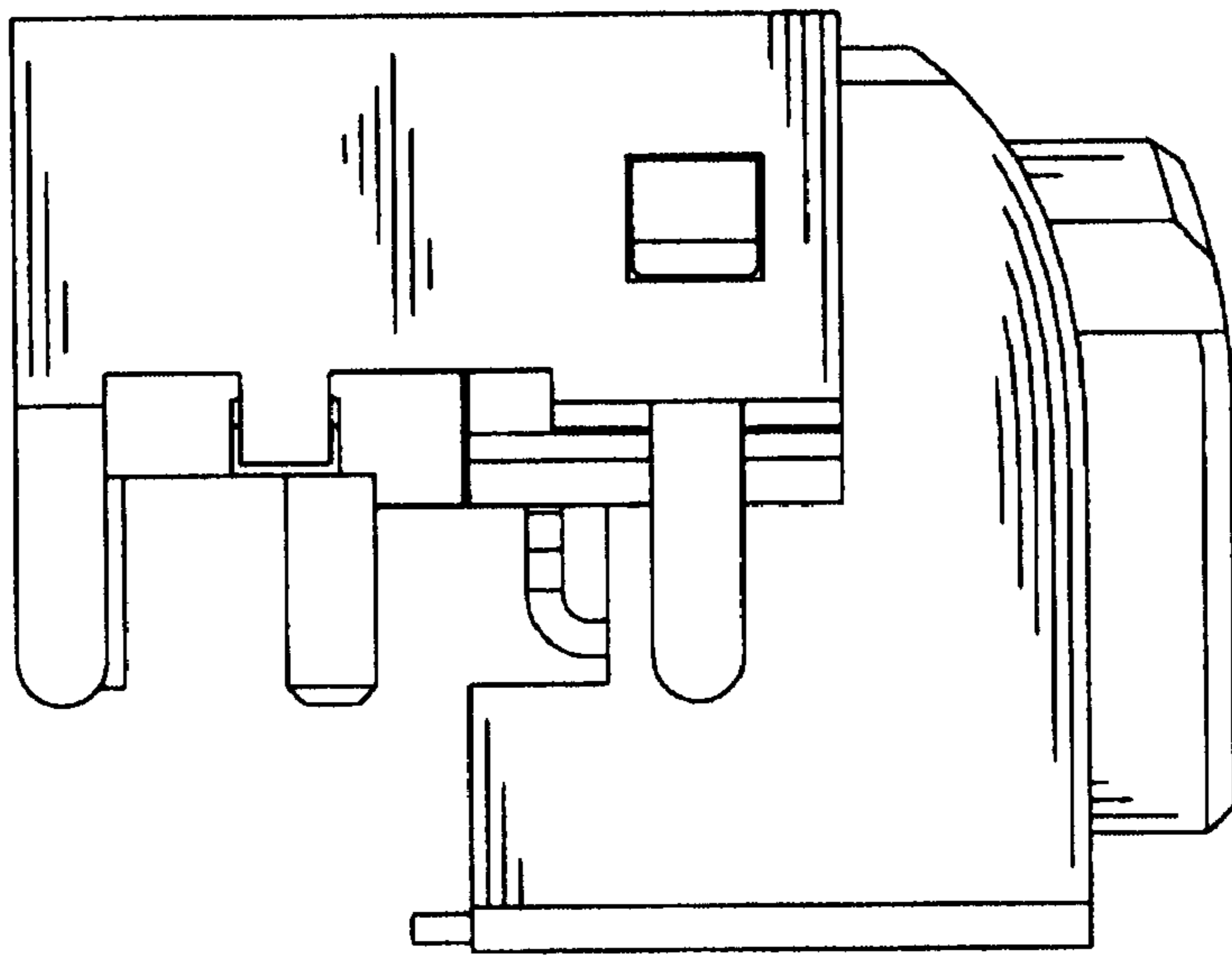


FIG. 4

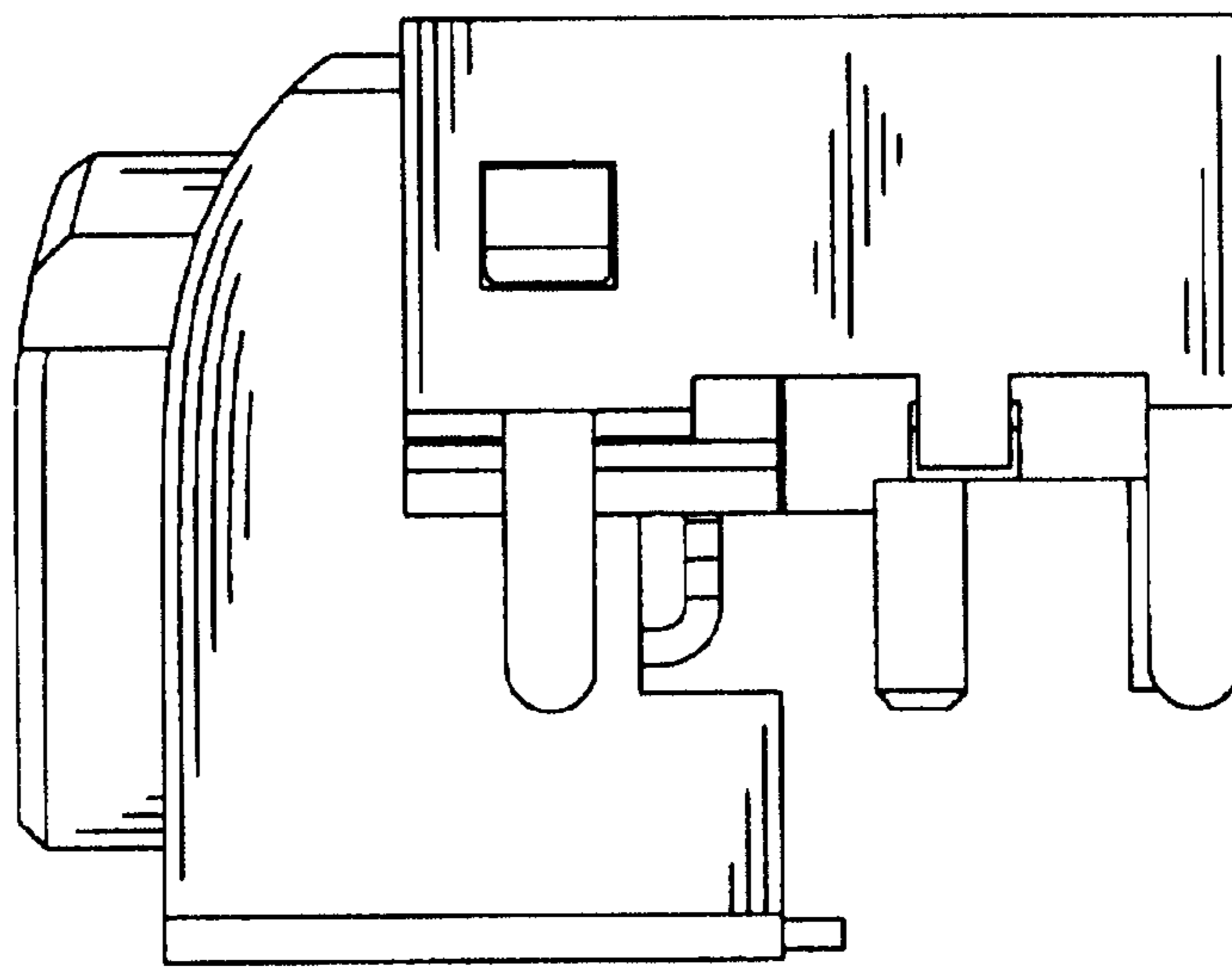


FIG. 5

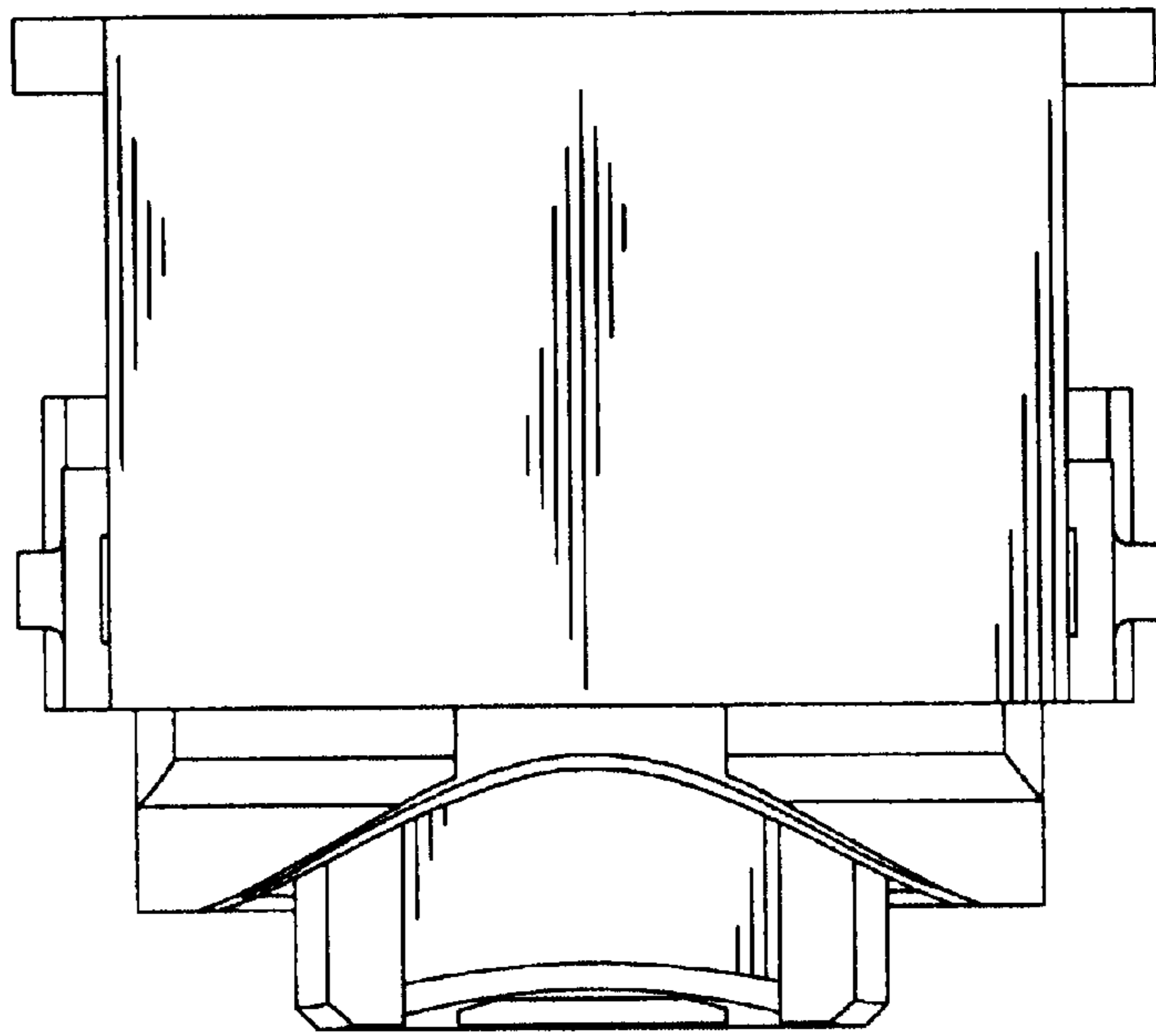


FIG. 6

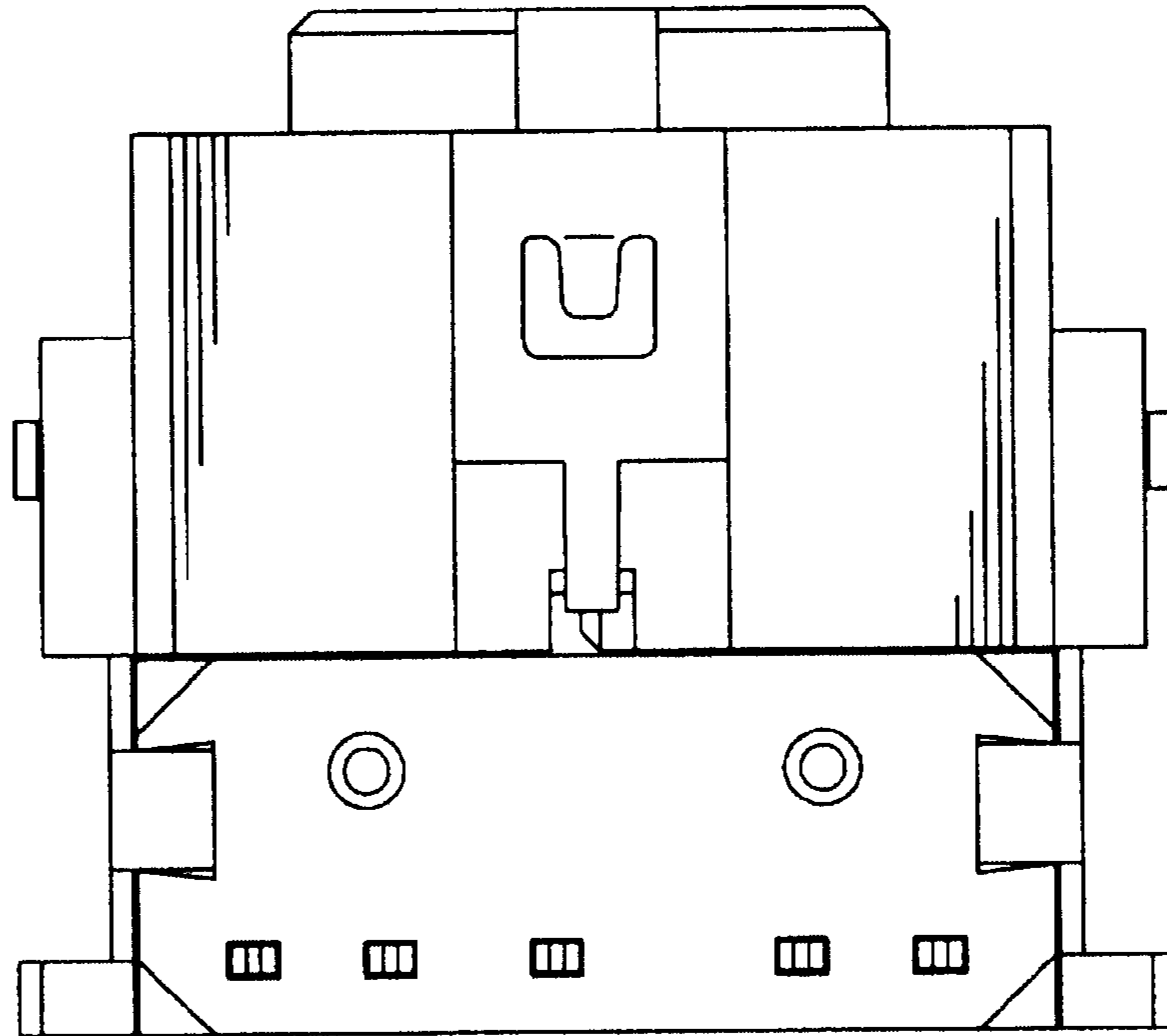


FIG. 7