



US00D478869S

(12) **United States Design Patent**
Zhang

(10) **Patent No.:** **US D478,869 S**

(45) **Date of Patent:** **** Aug. 26, 2003**

(54) **ELECTRICAL CONNECTOR**

(75) Inventor: **Jian Qiang Zhang**, Kunsan (CN)

(73) Assignee: **Hon Hai Precision Ind. Co., Ltd.**,
Taipei Hsien (TW)

(**) Term: **14 Years**

(21) Appl. No.: **29/164,071**

(22) Filed: **Jul. 16, 2002**

(51) **LOC (7) Cl.** **13-03**

(52) **U.S. Cl.** **D13/147**

(58) **Field of Search** D13/146, 147,
D13/154; 439/108, 567, 607, 608, 76.1,
79, 357, 358

(56) **References Cited**

U.S. PATENT DOCUMENTS

| | | | | | |
|--------------|---|--------|------------------|-------|---------|
| D408,788 S | * | 4/1999 | Homma | | D13/147 |
| 6,071,141 A | * | 6/2000 | Semmeling et al. | | 439/353 |
| 6,186,807 B1 | * | 2/2001 | Simmel | | 439/218 |
| 6,203,335 B1 | * | 3/2001 | Chang | | 439/79 |
| 6,231,390 B1 | * | 5/2001 | Chang | | 439/607 |

| | | | | | |
|-----------------|---|---------|--------------------|-------|---------|
| 6,322,377 B2 | * | 11/2001 | Middlehurst et al. | | 439/79 |
| D453,145 S | * | 1/2002 | Sato et al. | | D13/147 |
| 6,383,010 B1 | * | 5/2002 | Mayo et al. | | 439/357 |
| 6,413,112 B2 | * | 7/2002 | Semmeling et al. | | 439/358 |
| D465,202 S | * | 11/2002 | Kubota | | D13/147 |
| 2002/0031925 A1 | * | 3/2002 | Clark et al. | | 439/79 |

* cited by examiner

Primary Examiner—Joel Sincavage

(74) *Attorney, Agent, or Firm*—Wei Te Chung

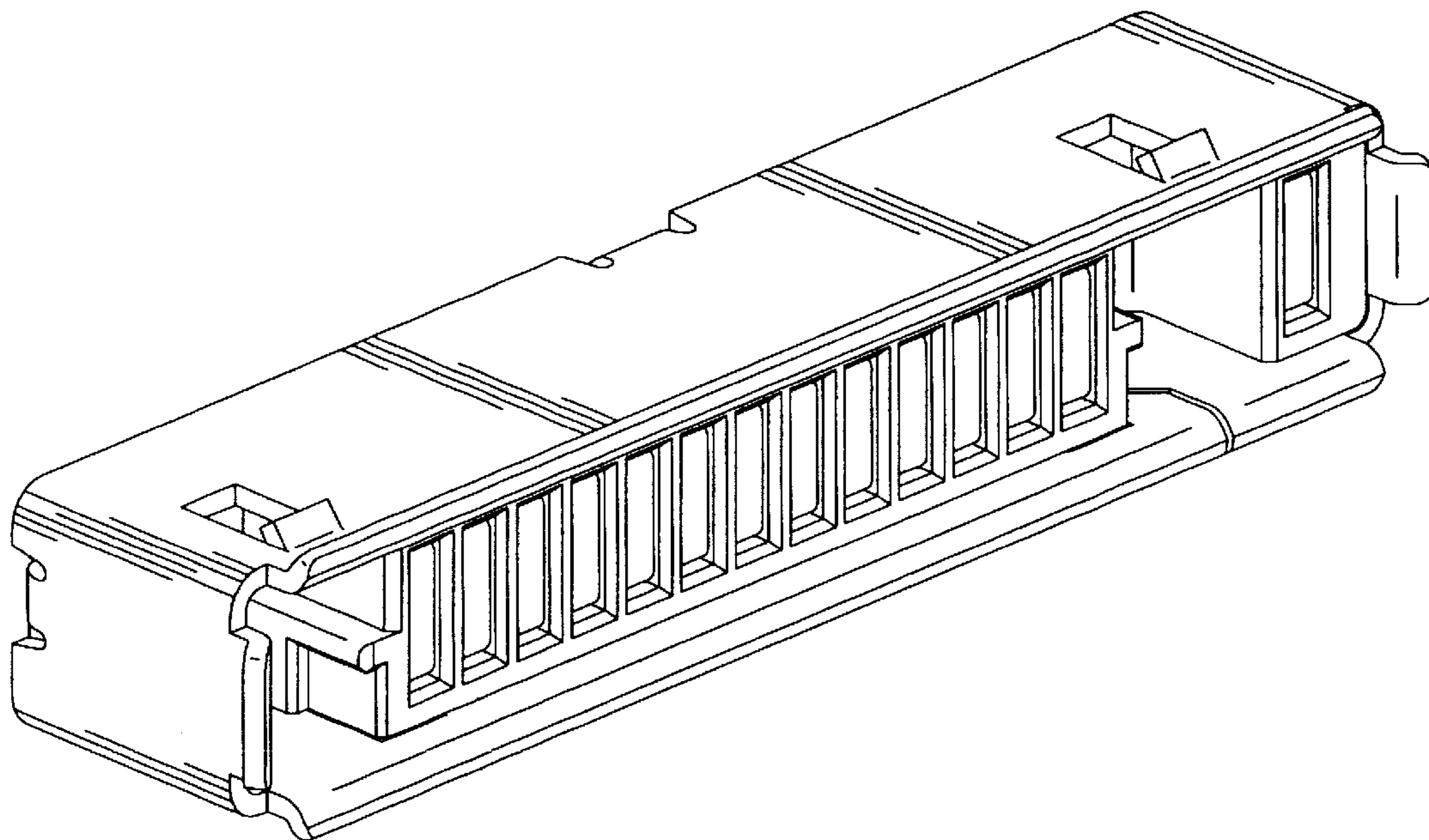
(57) **CLAIM**

The ornamental design for an electrical connector, as shown.

DESCRIPTION

FIG. 1 is a front, top and left side perspective view of an electrical connector showing my new design;
 FIG. 2 is a front elevational view thereof;
 FIG. 3 is a rear elevational view thereof;
 FIG. 4 is a left side elevational view thereof;
 FIG. 5 is a right side elevational view thereof;
 FIG. 6 is a top plan view thereof; and
 FIG. 7 is a bottom plan view thereof; and
 FIG. 8 is a rear, top and right side perspective view thereof.

1 Claim, 5 Drawing Sheets



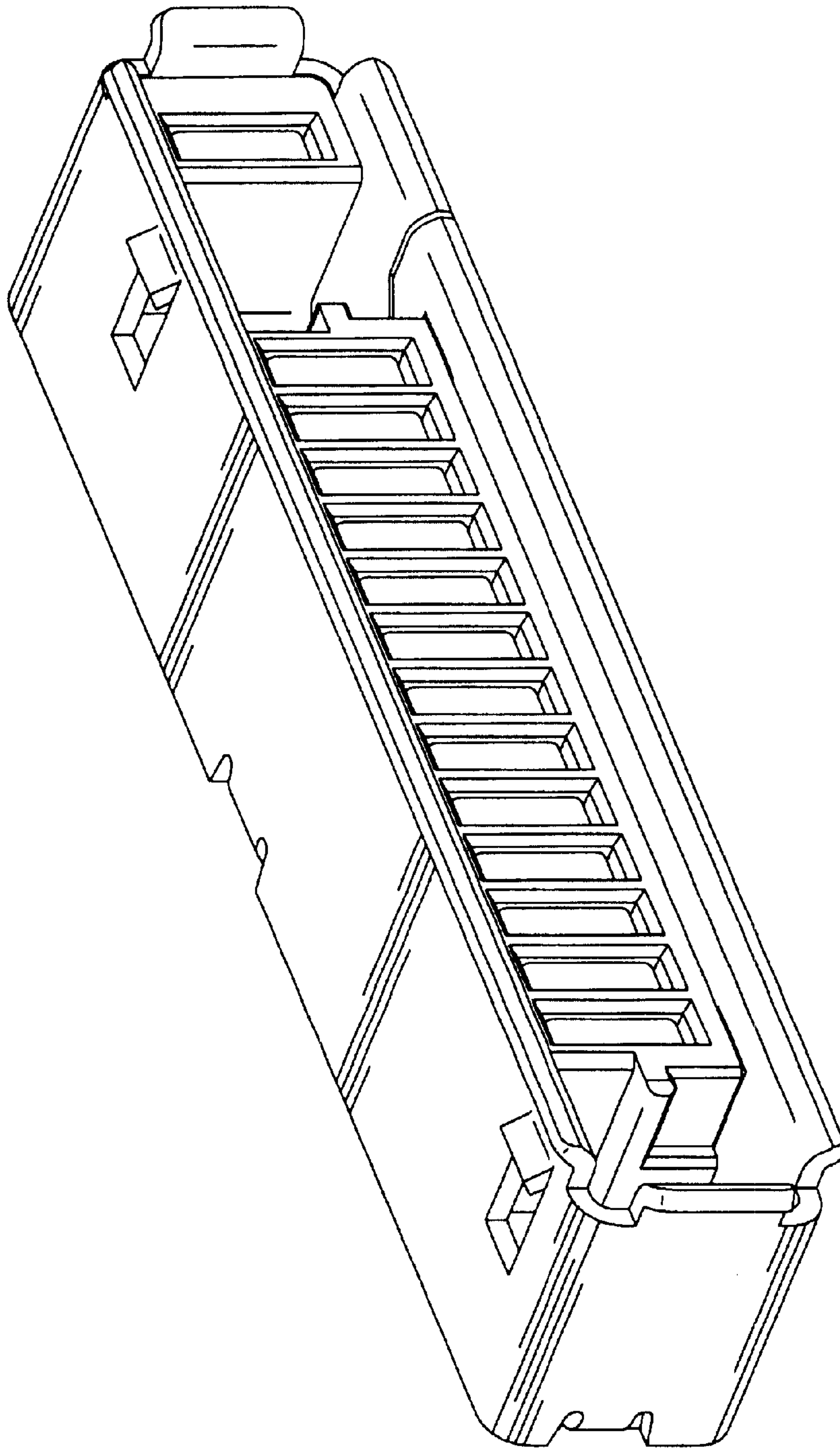


FIG. 1

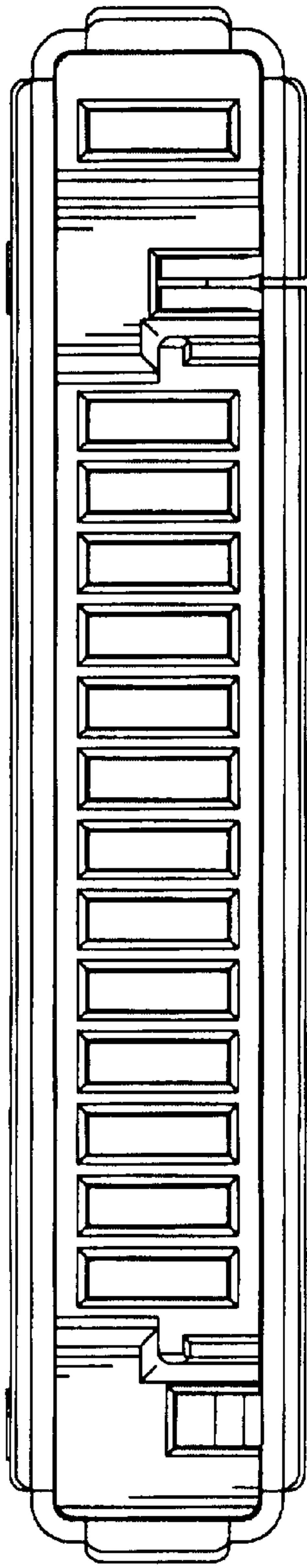


FIG. 2

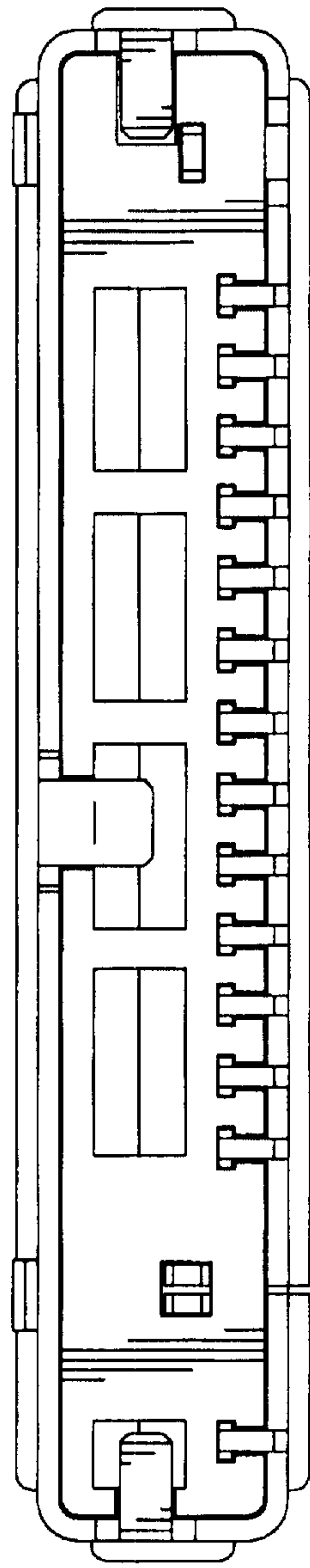


FIG. 3

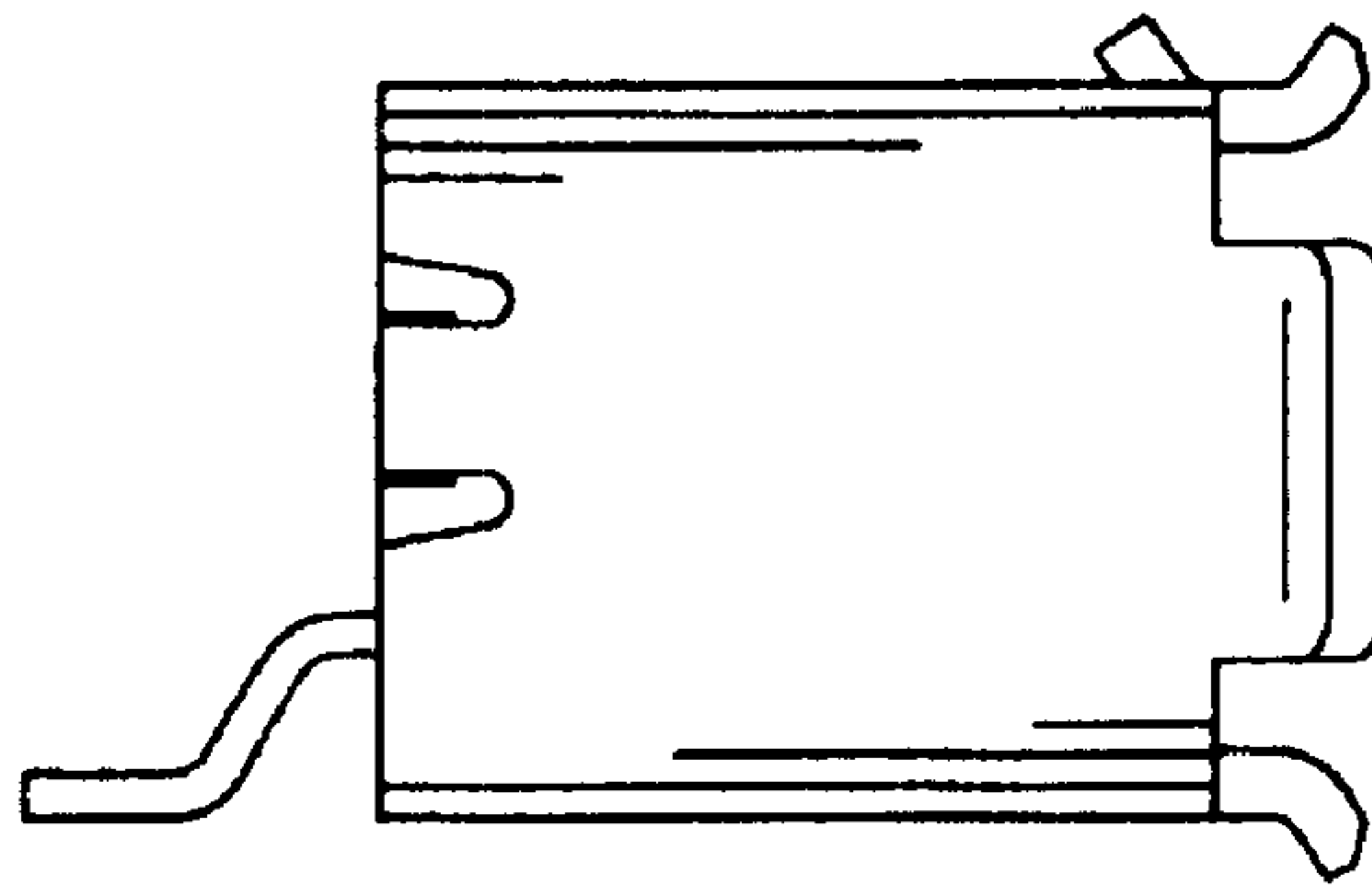


FIG. 4

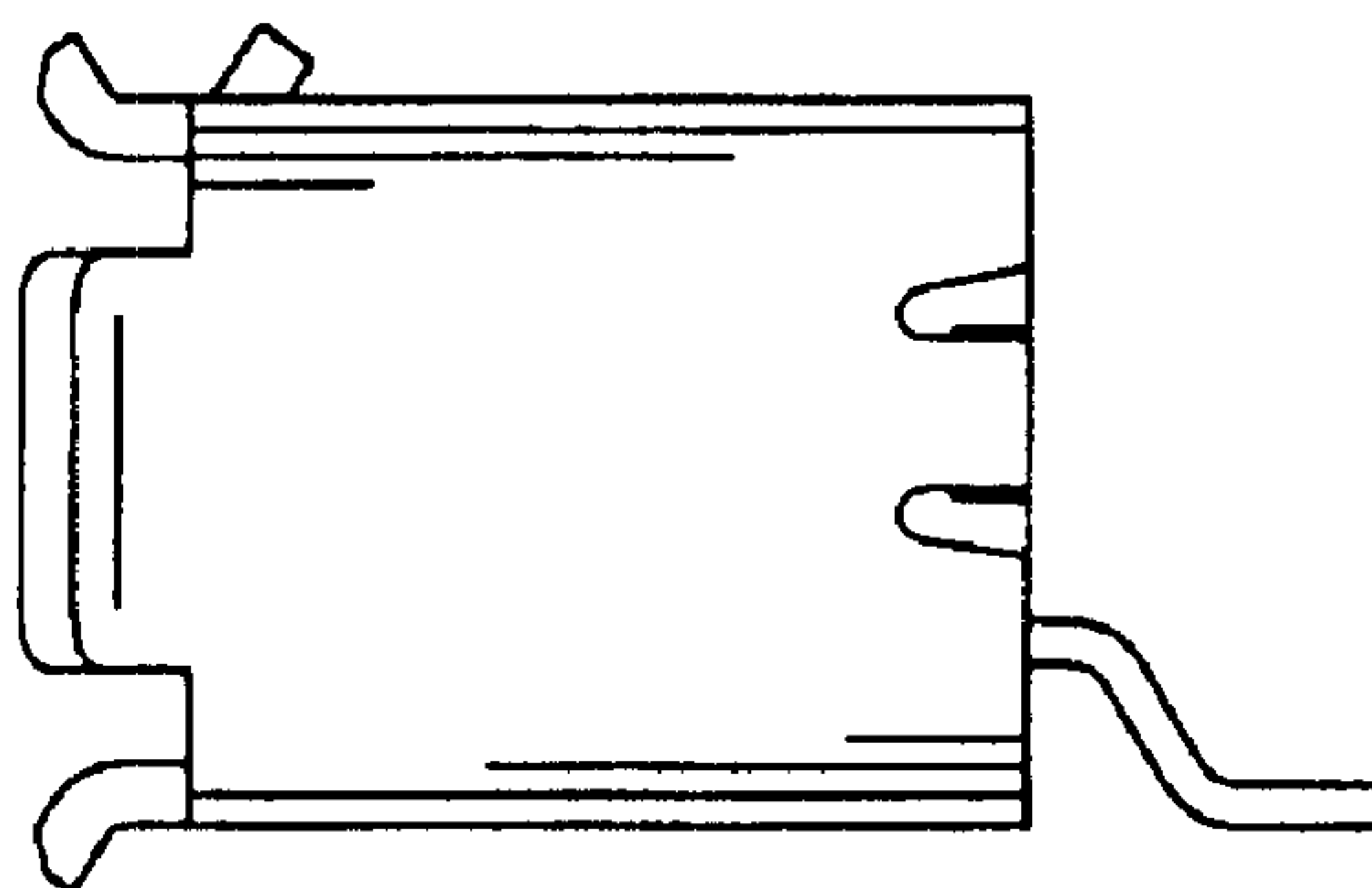


FIG. 5

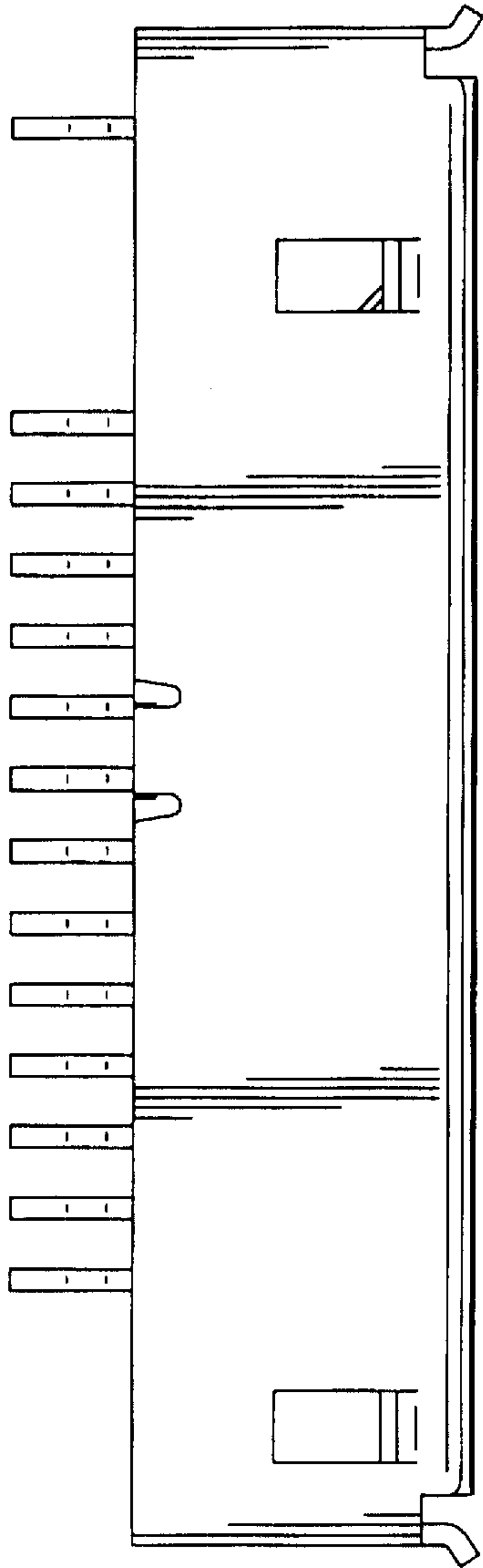


FIG. 6

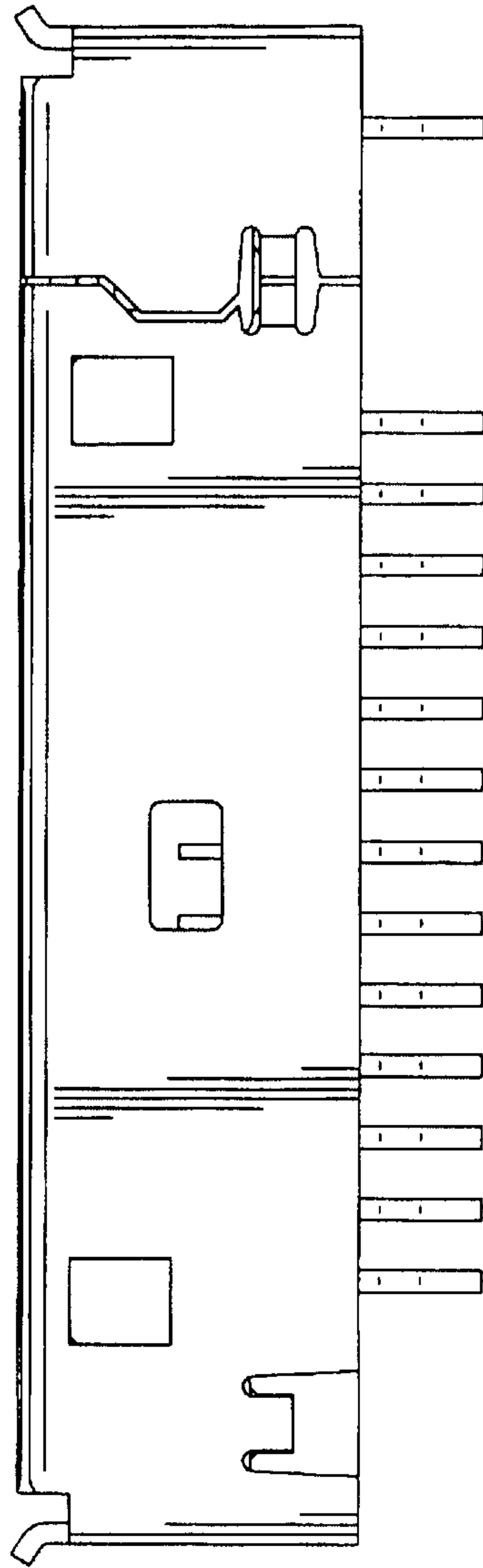


FIG. 7

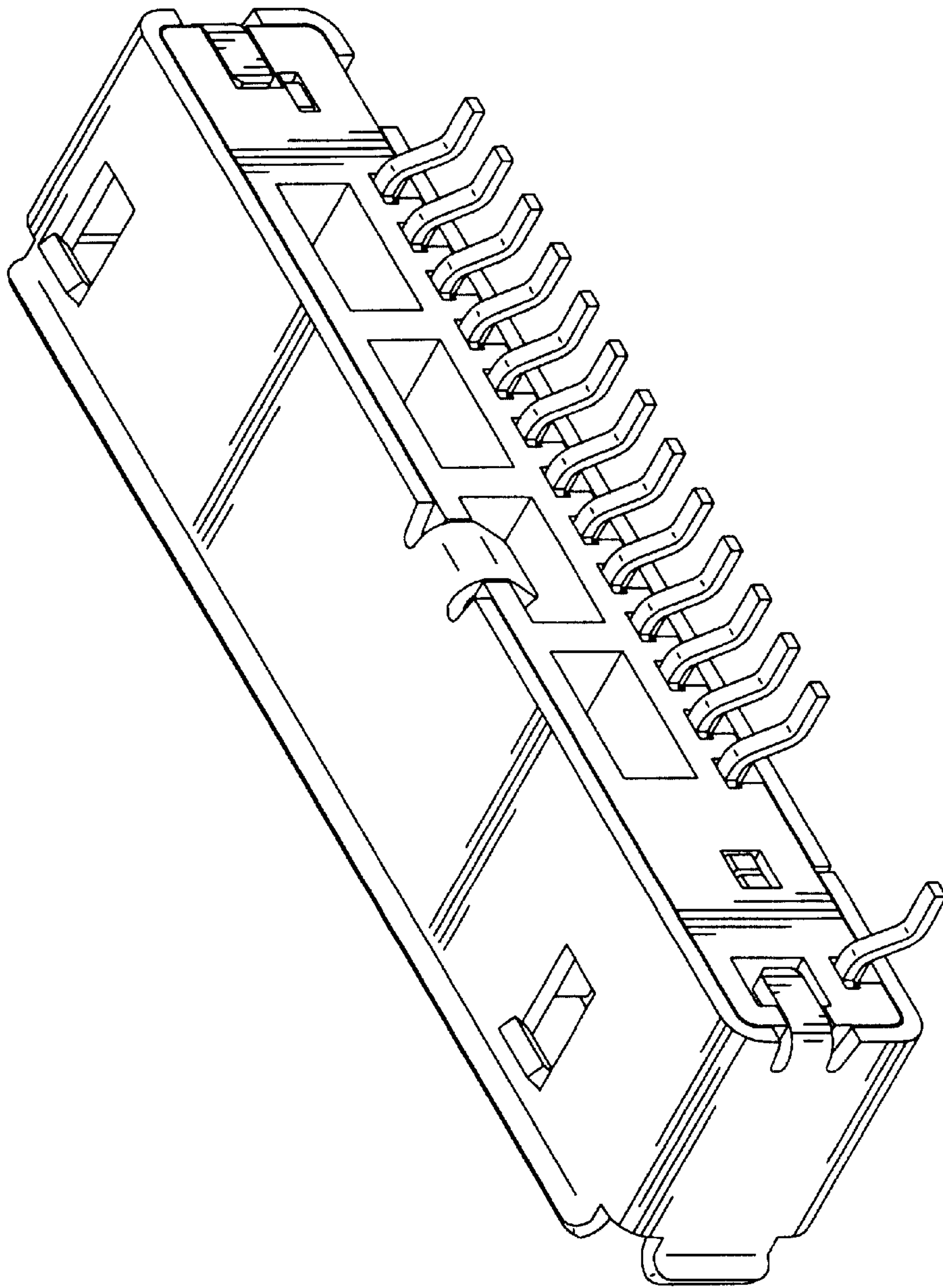


FIG. 8