



US00D478862S

(12) **United States Design Patent**
Gillard et al.

(10) **Patent No.:** **US D478,862 S**

(45) **Date of Patent:** **** Aug. 26, 2003**

(54) **TIRE TREAD**

(75) Inventors: **Jean-Michel Gillard**, Mersch (LU);
Georges Gaston Feider, Bettborn (LU);
Jean-Claude Alie, Bastogne (BE);
Louis Ernest Zurita, Copley, OH (US);
Walter Lee Welker, Akron, OH (US)

(73) Assignee: **The Goodyear Tire & Rubber Company**, Akron, OH (US)

(**) Term: **14 Years**

(21) Appl. No.: **29/163,741**

(22) Filed: **Jul. 11, 2002**

(51) **LOC (7) Cl.** **12-15**

(52) **U.S. Cl.** **D12/602**

(58) **Field of Search** D12/500, 501,
D12/564, 565, 566, 567, 600, 601, 602,
603; 152/209.1, 209.9, 209.25, 209.27

(56) **References Cited**

U.S. PATENT DOCUMENTS

4,926,919	A	*	5/1990	Hopkins et al.	152/209.25
5,211,781	A	*	5/1993	Adam et al.	152/209.25
5,595,619	A	*	1/1997	Tanaka	152/209.9
D464,005	S	*	10/2002	Labbe et al.	D12/602

OTHER PUBLICATIONS

Hercules Mega TR Tire, 2001 Tread Design Guide, Jan. 2001, p. 39. 2/1.*

Hercules Super Express Tire, 2001 Tread Design Guide, Jan. 2001, p. 93. 1/5.*

Kumho Steel Radial 856 Tire, 2001 Tread Design Guide, Jan. 2001, p. 95. 2/5.*

* cited by examiner

Primary Examiner—Robert M. Spear

(74) *Attorney, Agent, or Firm*—David L. King

(57) **CLAIM**

The ornamental Design for a tire tread, as shown and described.

DESCRIPTION

FIG. 1 is a perspective view of a tire tread showing our new design, it being understood that the pattern repeats uniformly throughout the circumference of the tread;

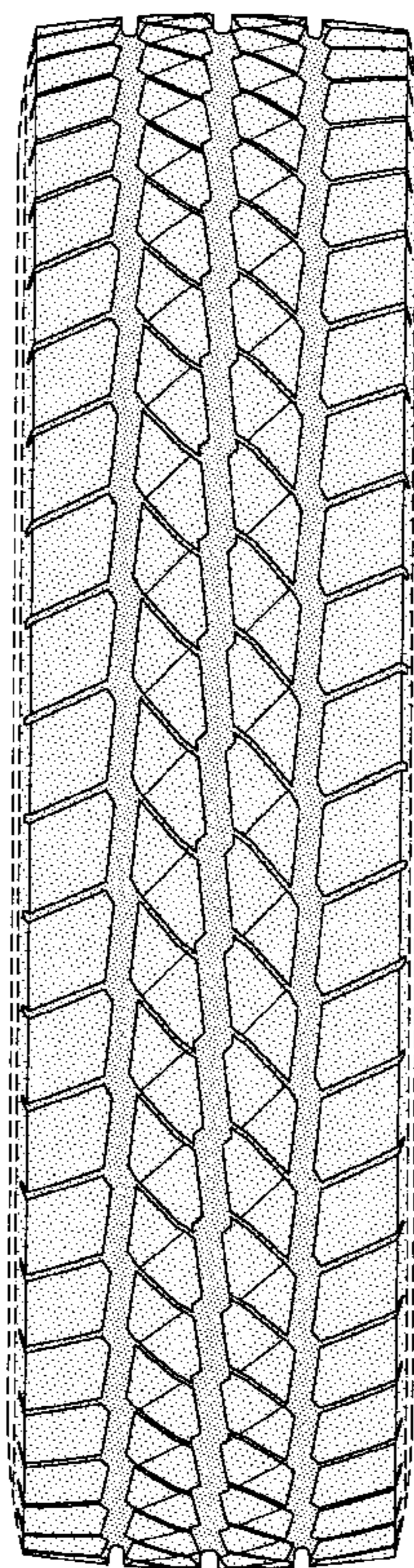
FIG. 2 is a front elevational view thereof;

FIG. 3 is a side elevational view thereof, the opposite side elevational view being identical thereto; and,

FIG. 4 is an enlarged fragmentary perspective view.

In the drawings, the broken lines defining the sidewall and inner bead and the peripheral boundary between the tire tread and the sidewall are for illustrative purposes only and form no part of the claimed design.

1 Claim, 4 Drawing Sheets



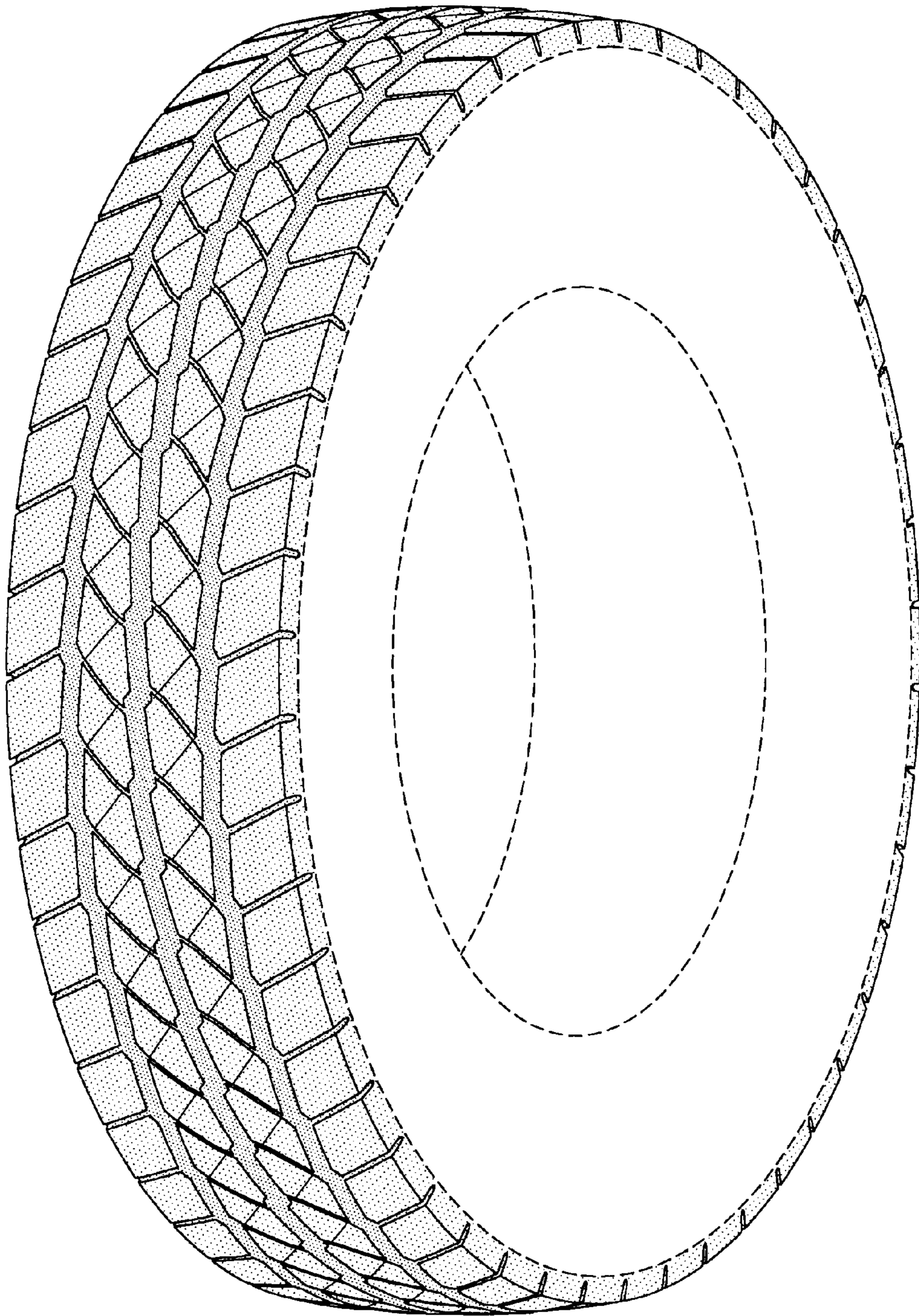


FIG-1

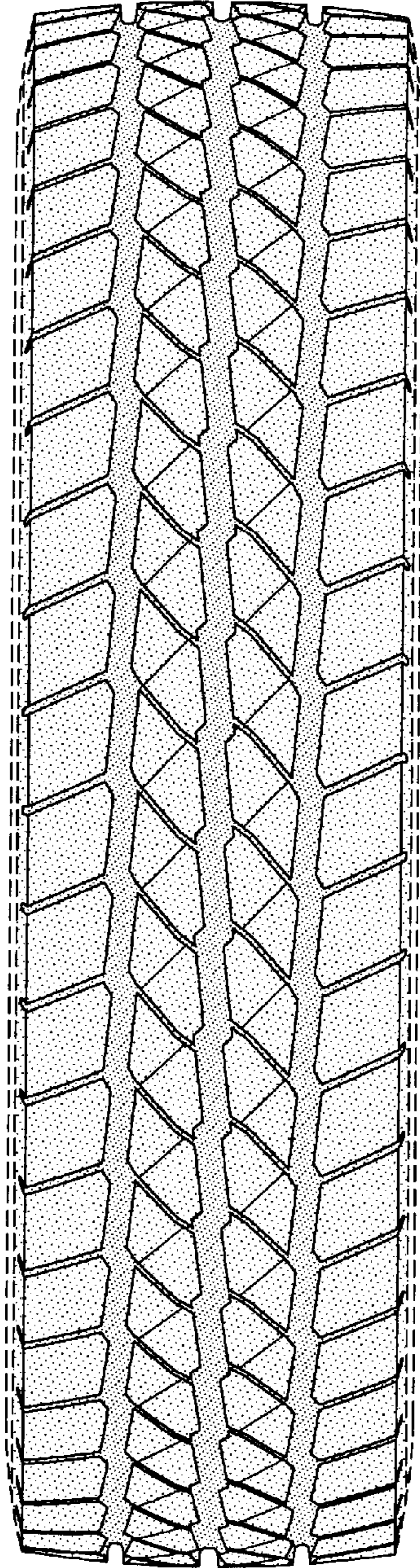


FIG-2

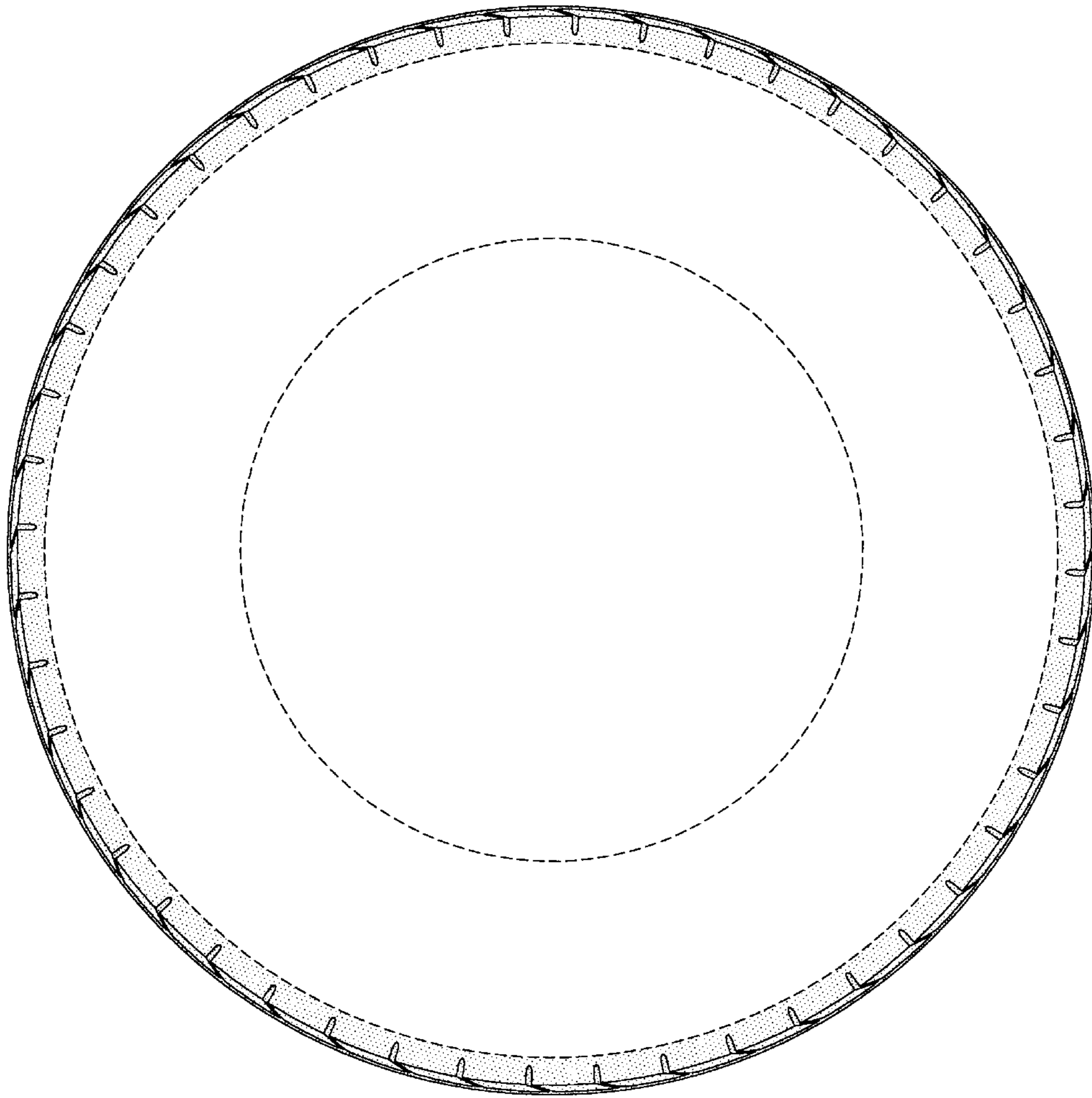


FIG-3

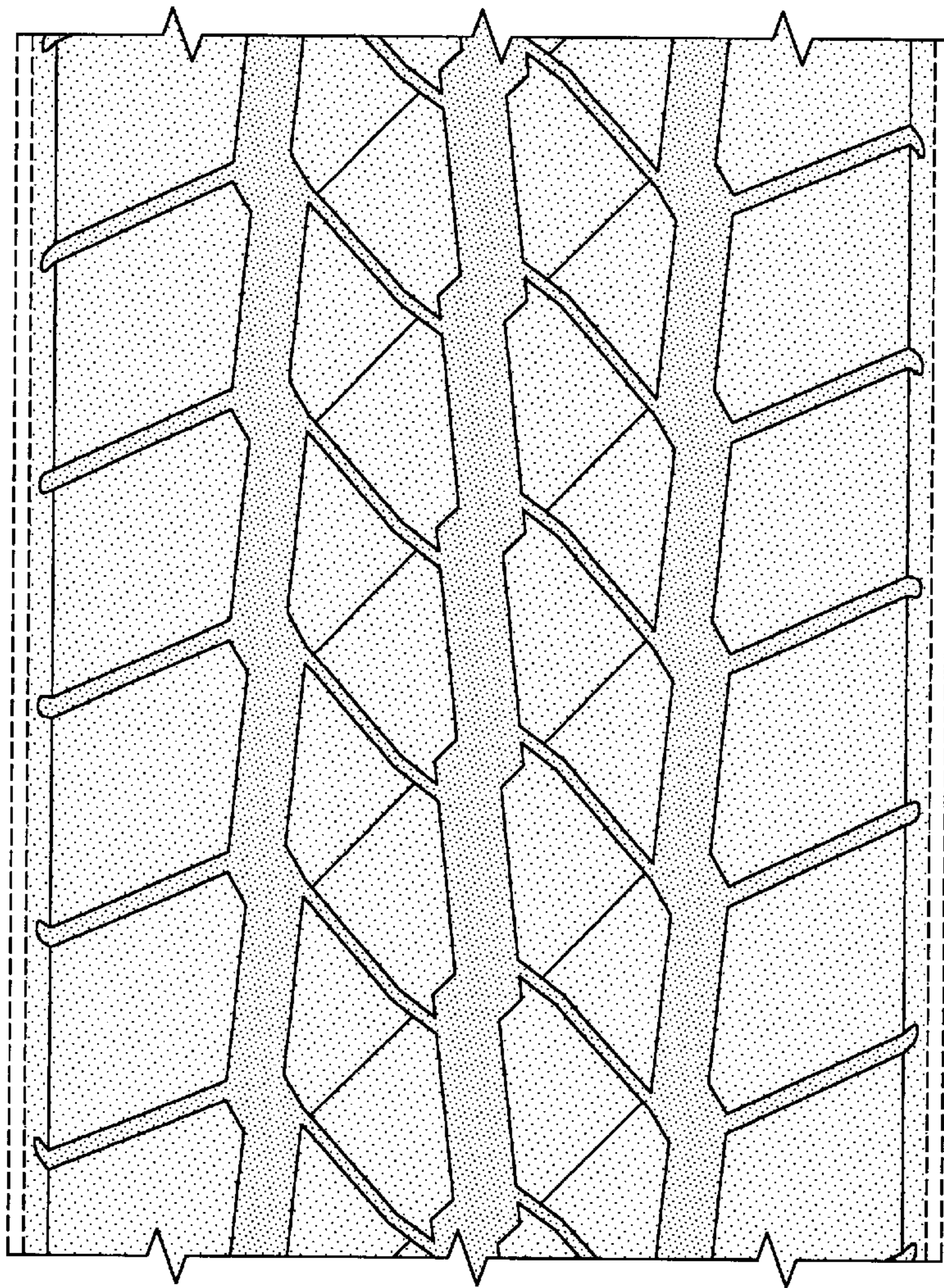


FIG-4