



US00D478859S

(12) **United States Design Patent**  
**Tyrer**

(10) **Patent No.:** **US D478,859 S**

(45) **Date of Patent:** **\*\* Aug. 26, 2003**

(54) **EXTERNAL APPEARANCE OF A GOLF  
CART CANOPY**  
  
(76) **Inventor:** **Stephen Edward Tyrer**, 147 Taft  
Crescent, Centerport, NY (US) 11721  
  
(\*\*) **Term:** **14 Years**

6,220,647 B1 4/2001 Winkler  
6,227,217 B1 5/2001 Peta  
6,227,603 B1 5/2001 Brock  
6,481,780 B2 \* 11/2002 Dolan et al. .... 296/100.18  
D469,734 S \* 2/2003 Tyrer ..... D12/401  
2002/0027373 A1 3/2002 Winkler  
2002/0145302 A1 10/2002 Winkler

(21) **Appl. No.:** **29/175,396**  
(22) **Filed:** **Feb. 4, 2003**

**Related U.S. Application Data**

(63) Continuation of application No. 29/161,222, filed on May  
24, 2002, now Pat. No. Des. 469,734.  
(51) **LOC (7) Cl.** ..... **12-02**  
(52) **U.S. Cl.** ..... **D12/401**  
(58) **Field of Search** ..... D12/401, 223;  
296/77.1, 78.1, 83, 100.14, 100.16, 100.01,  
100.11, 138, 141, 136, 107; 135/88, 88.01,  
88.09

(56) **References Cited**

**U.S. PATENT DOCUMENTS**

4,830,037 A 5/1989 Held  
5,741,041 A \* 4/1998 Sullivan ..... 135/88.09  
6,216,714 B1 4/2001 Tucker

**OTHER PUBLICATIONS**

U.S. patent application Ser. No. 10/107,996, Tyrer.

\* cited by examiner

*Primary Examiner*—Nelson C. Holtje

(74) *Attorney, Agent, or Firm*—Michael York-Agent

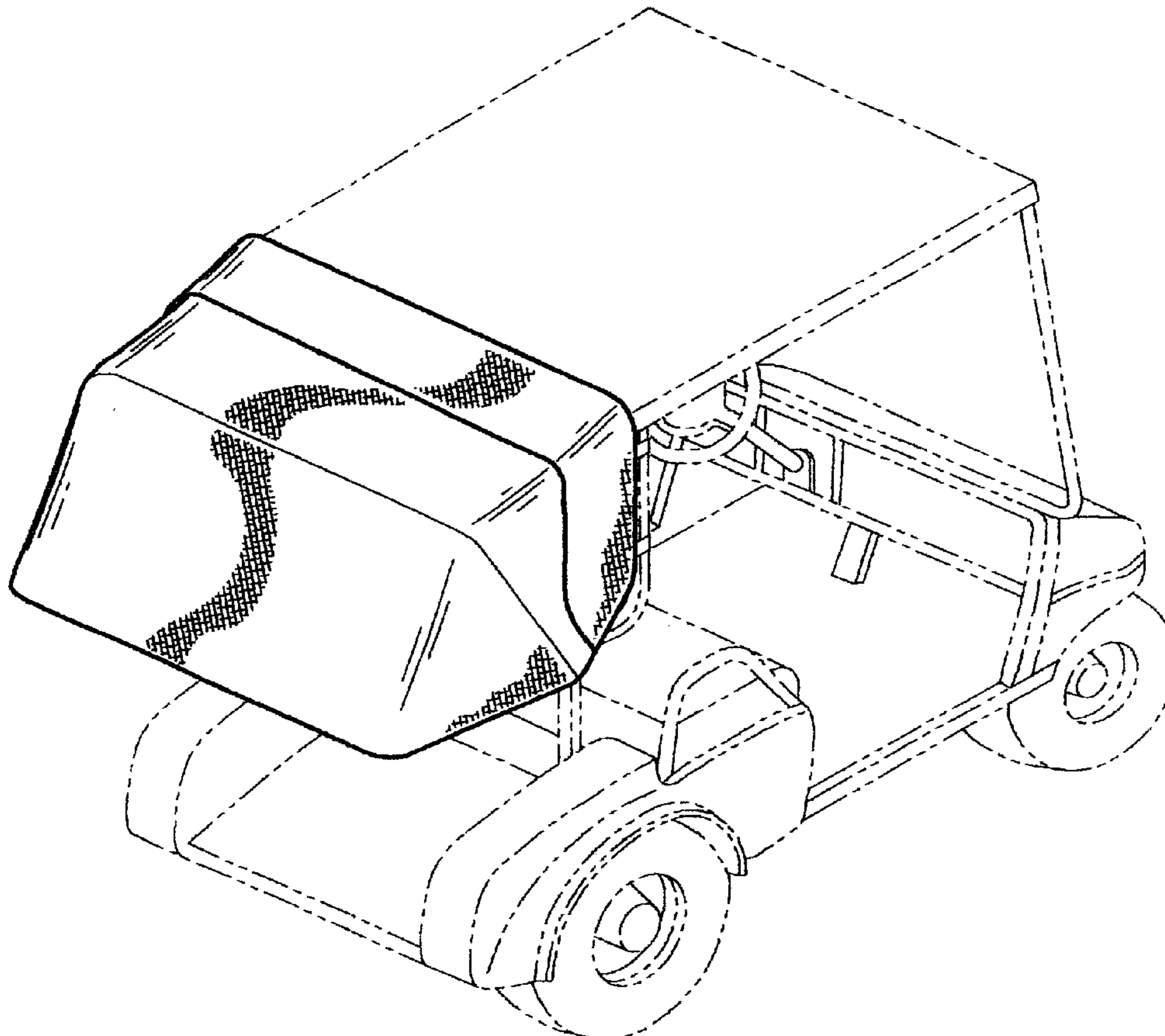
(57) **CLAIM**

The ornamental design for an external appearance of a golf  
cart canopy, as shown and described.

**DESCRIPTION**

FIG. 1 is a rear elevated perspective view of the external  
appearance of a golf cart canopy;  
FIG. 2 is a rear view thereof;  
FIG. 3 is a top view thereof; and,  
FIG. 4 is a view of one side, and the opposite side is a mirror  
image thereof.

**1 Claim, 2 Drawing Sheets**



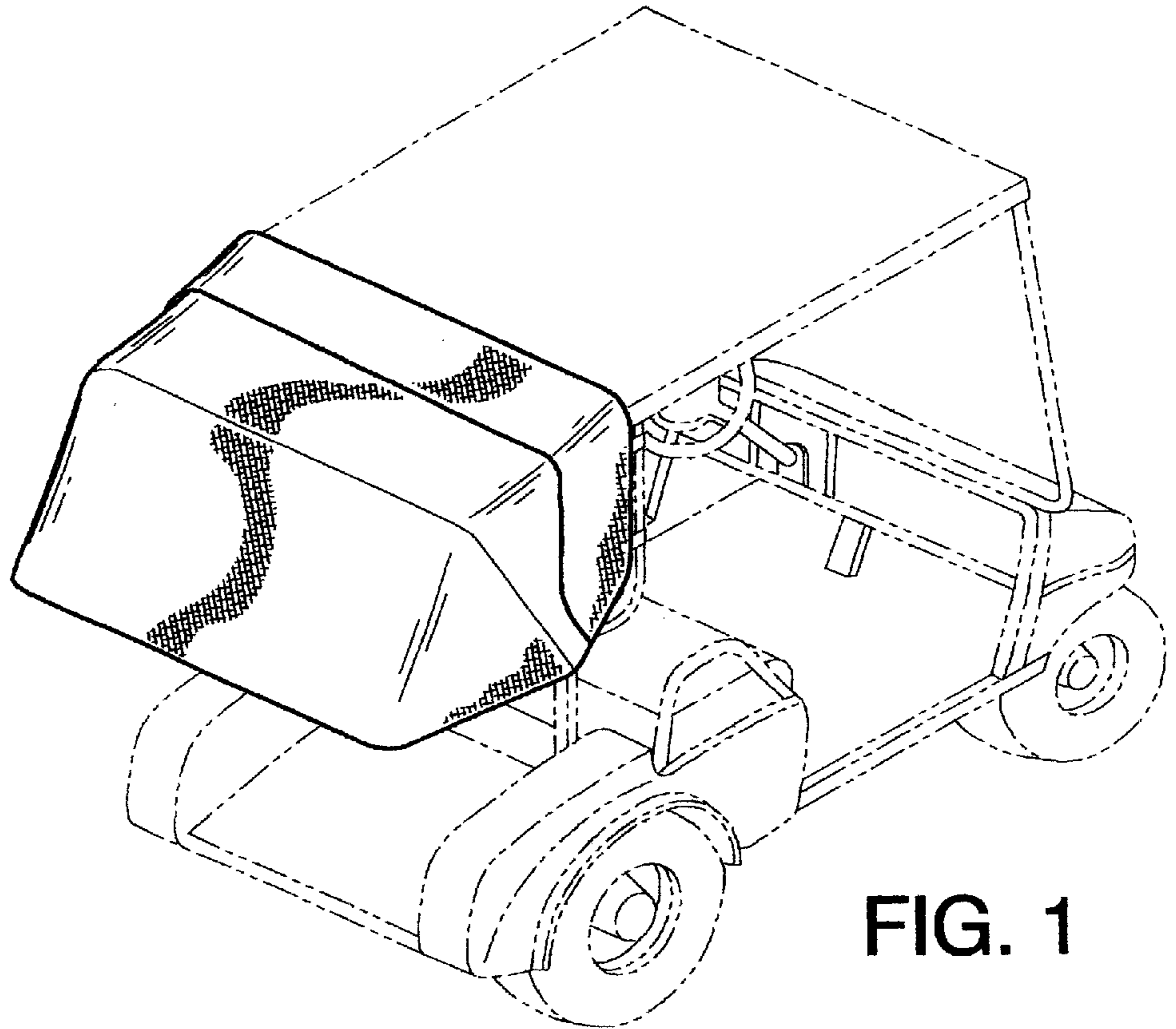


FIG. 1

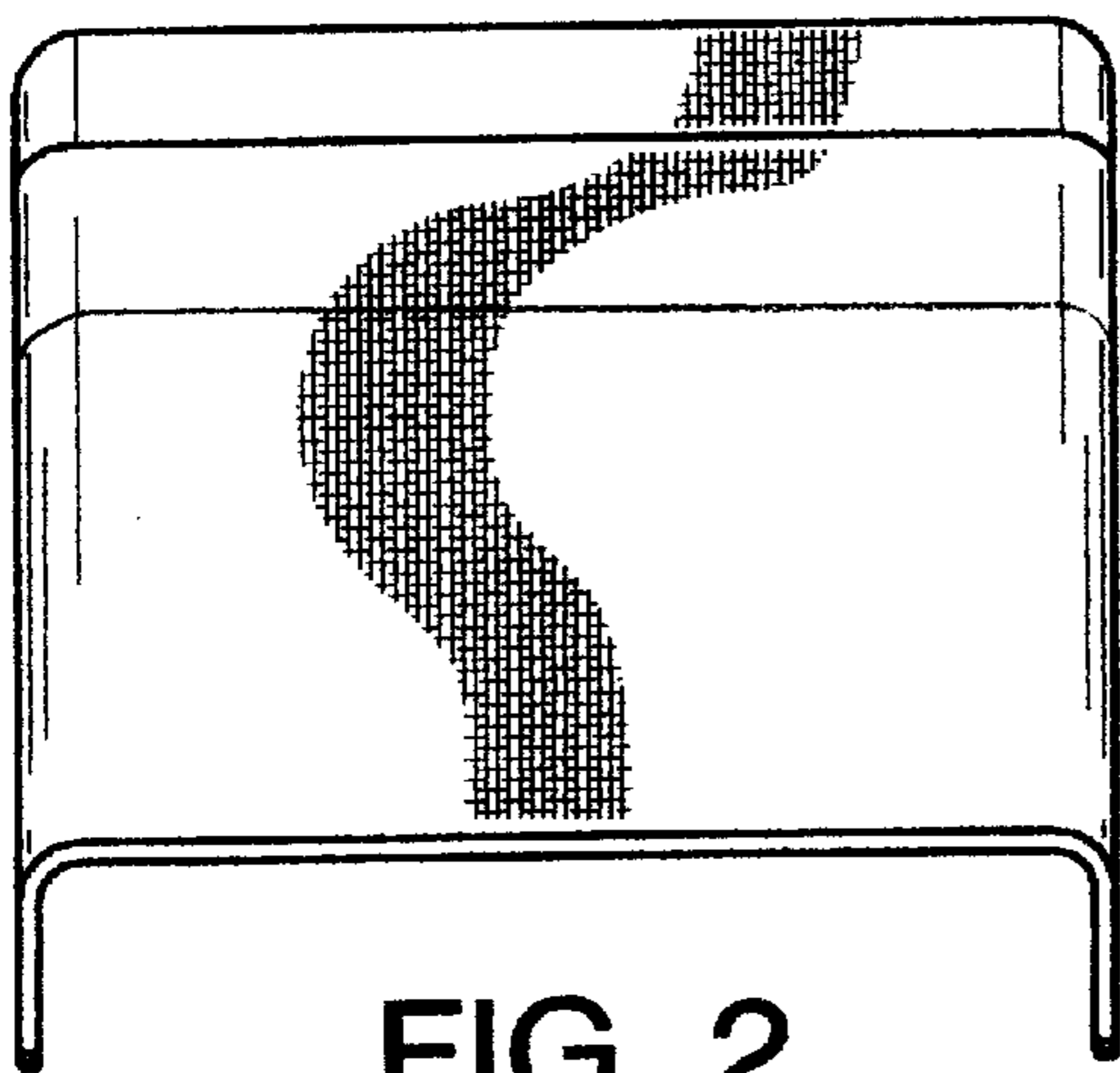


FIG. 2

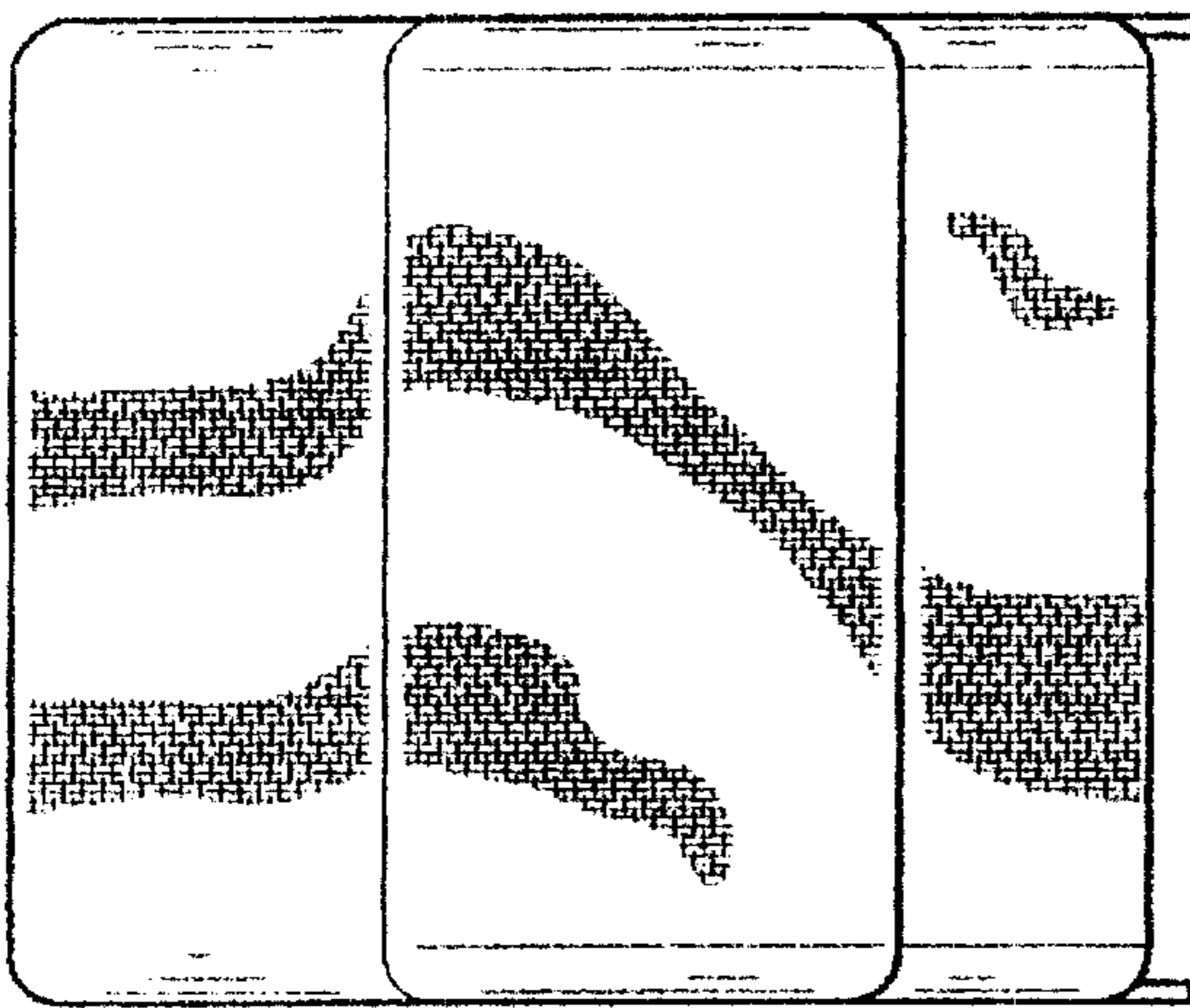


FIG. 3

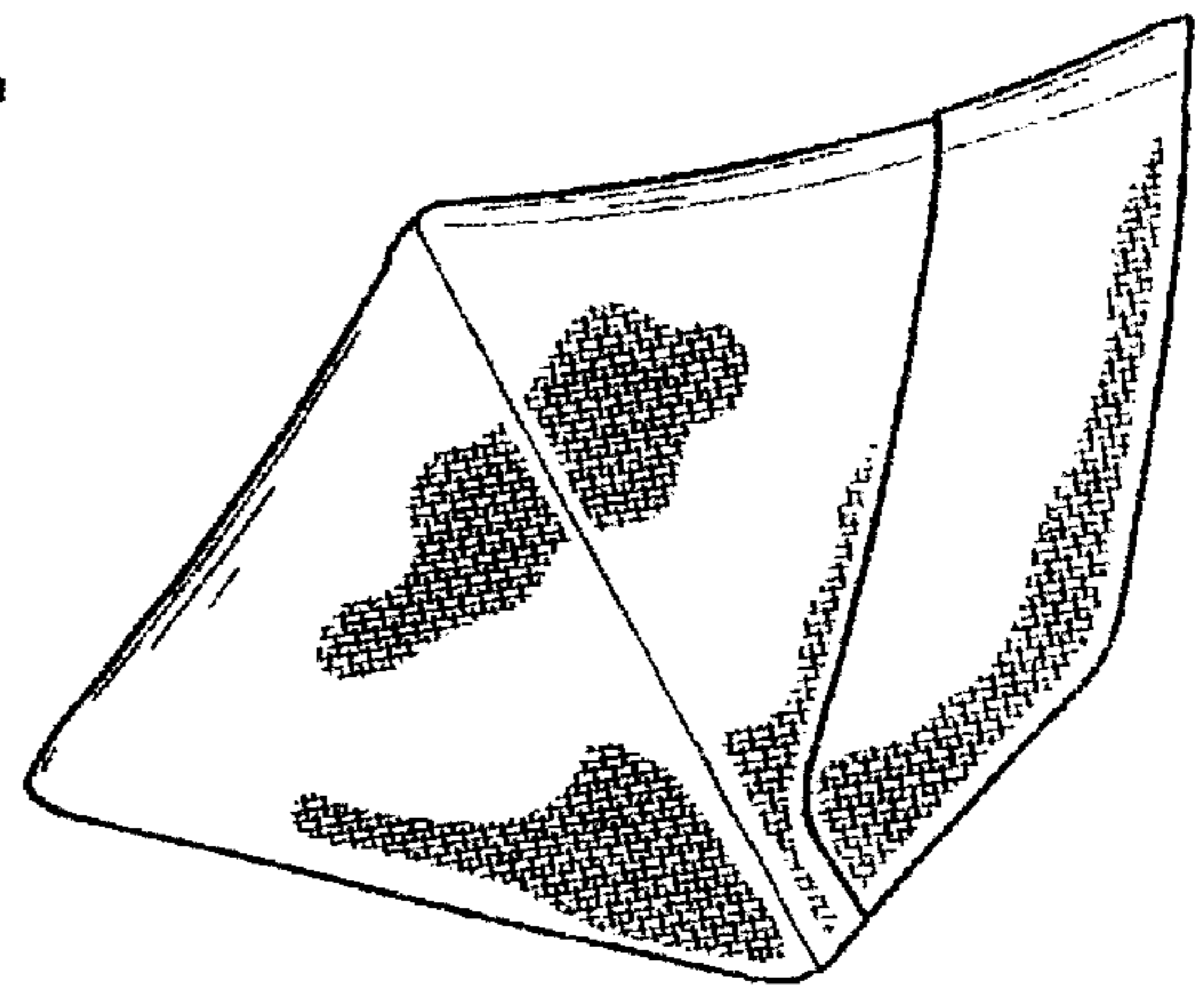


FIG. 4