



US00D478853S

(12) **United States Design Patent**
Boyer

(10) **Patent No.:** **US D478,853 S**

(45) **Date of Patent:** **** Aug. 26, 2003**

(54) **SURFACE CONFIGURATION OF A SIDE MIRROR FOR A VEHICLE**

DESCRIPTION

(75) Inventor: **Boyke Boyer**, Ismaning (DE)

This application is related to co-pending application Ser. No. 29/168,898, of the inventor, entitled "Surface Configuration of a Vehicle, Toy and/or Other Replicas."

(73) Assignee: **Bayerische Motoren Werke Aktiengesellschaft**, Munich (DE)

FIG. 1 is a perspective view from the rear of a first embodiment of a surface configuration of a side mirror for a vehicle according to my novel design;

(**) Term: **14 Years**

FIG. 2 is a front view of the first embodiment of the surface configuration of a side mirror for a vehicle according to my novel design;

(21) Appl. No.: **29/168,892**

FIG. 3 is a rear view of the first embodiment of the surface configuration of a side mirror for a vehicle according to my novel design;

(22) Filed: **Oct. 11, 2002**

(30) **Foreign Application Priority Data**

FIG. 4 is a perspective view from the side of the first embodiment of the surface configuration of a side mirror for a vehicle according to my novel design;

Apr. 16, 2002 (DE) 402 03 456

FIG. 5 is a top view of the first embodiment of the surface configuration of a side mirror for a vehicle according to my novel design;

(51) **LOC (7) Cl.** **12-16**

(52) **U.S. Cl.** **D12/187**

(58) **Field of Search** D12/187-189;
359/838-850, 855, 868, 871, 881

FIG. 6 is a perspective view from the rear of a second embodiment of the surface configuration of a side mirror for a vehicle according to my novel design;

(56) **References Cited**

U.S. PATENT DOCUMENTS

D372,450 S	*	8/1996	Santo	D12/187
D427,127 S	*	6/2000	Horowitz	D12/187
D430,839 S	*	9/2000	Goplen	D12/187
D455,690 S	*	4/2002	Lee	D12/187
D464,922 S	*	10/2002	Kuo	D12/187

FIG. 7 is a front view of the second embodiment of the surface configuration of a side mirror for a vehicle according to my novel design;

* cited by examiner

FIG. 8 is a rear view of the second embodiment of the surface configuration of a side mirror for a vehicle according to my novel design;

Primary Examiner—Melody N. Brown
(74) *Attorney, Agent, or Firm*—Crowell & Moring LLP

FIG. 9 is a perspective view from the side of the second embodiment of the surface configuration of a side mirror for a vehicle according to my novel design; and,

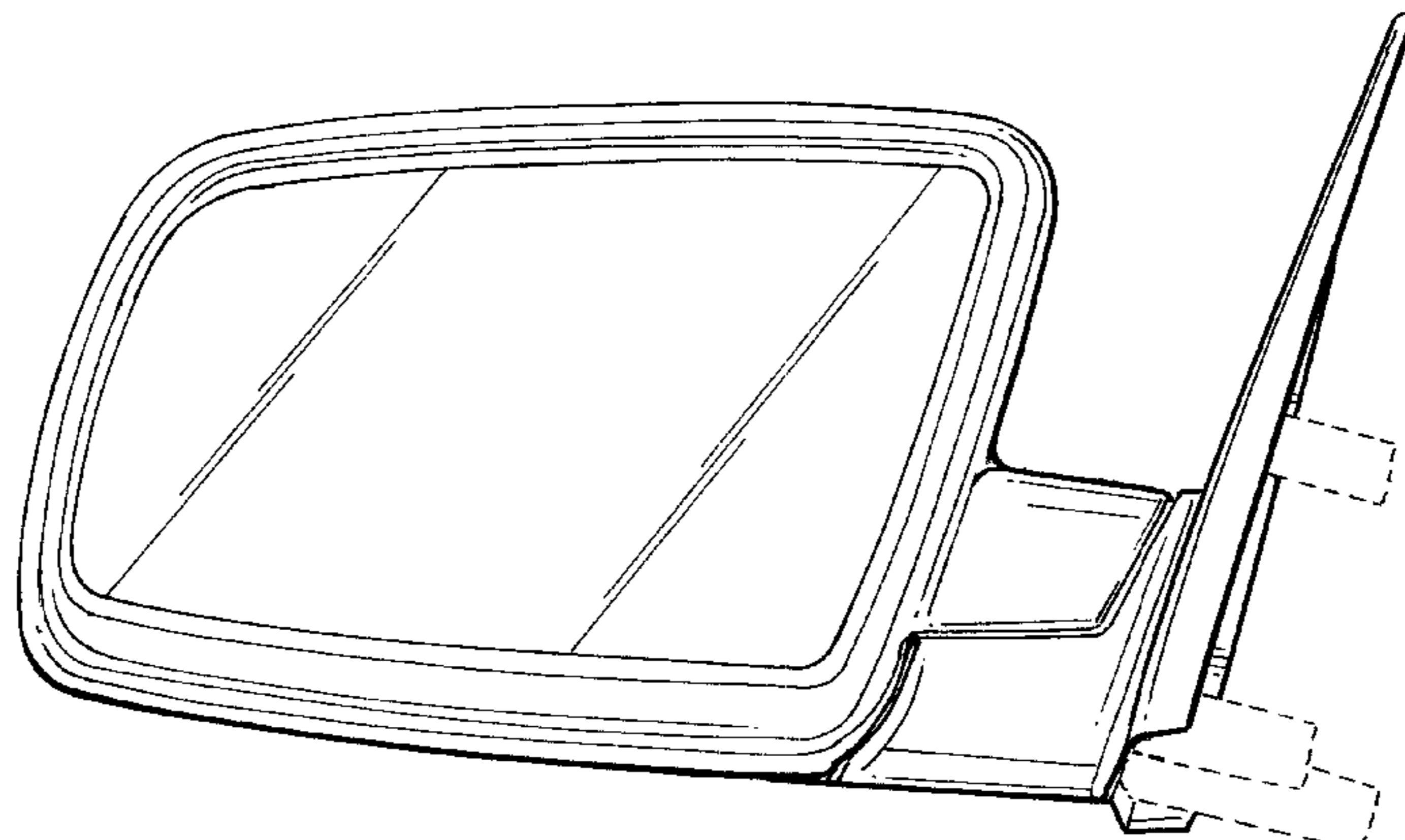
(57) **CLAIM**

FIG. 10 is a top view of the second embodiment of the surface configuration of a side mirror for a vehicle according to my novel design.

The ornamental design for a surface configuration of a side mirror for a vehicle, as shown and described.

The broken lines included depict environment and are not part of the claimed design.

1 Claim, 6 Drawing Sheets



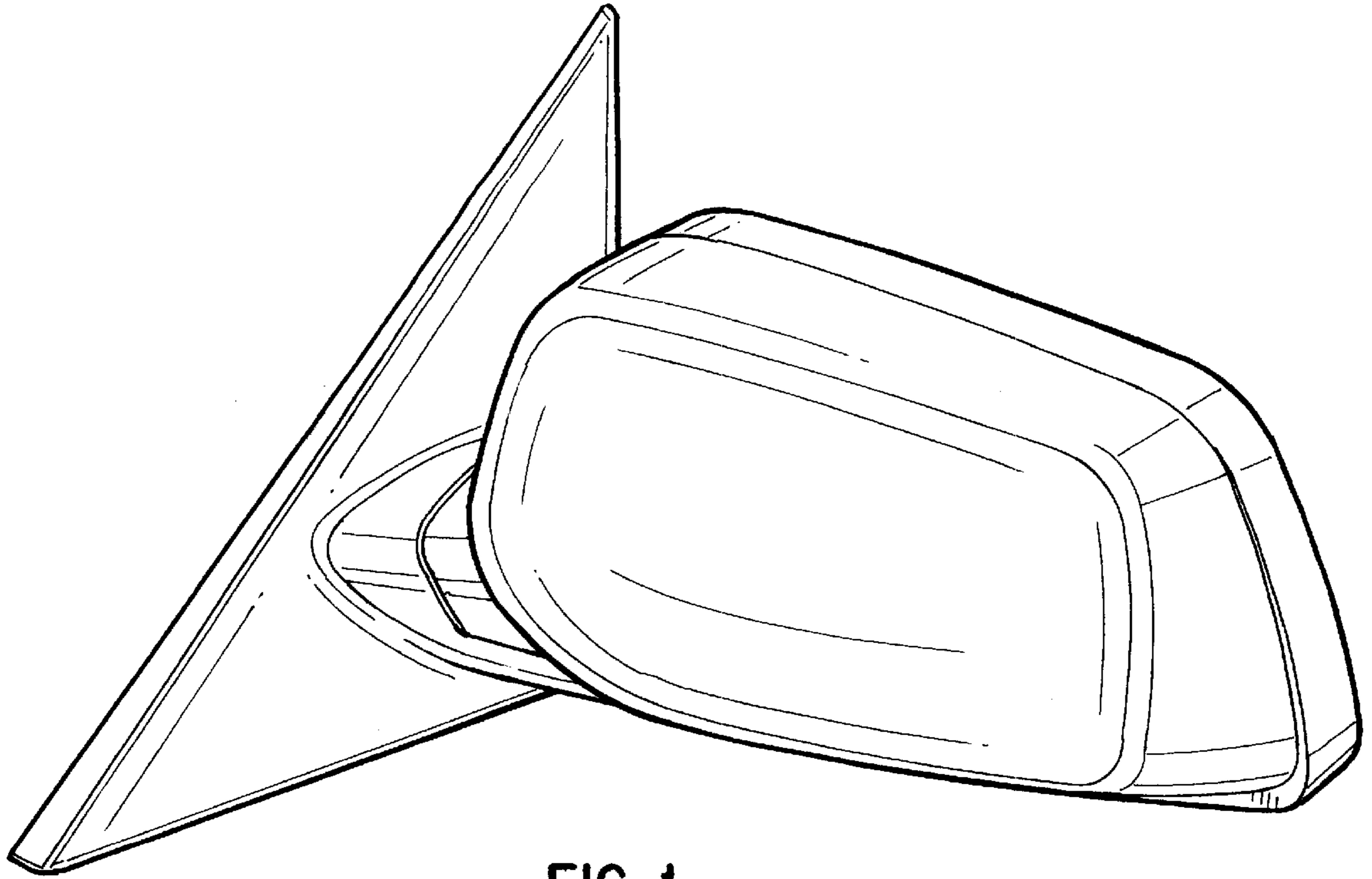


FIG. 1

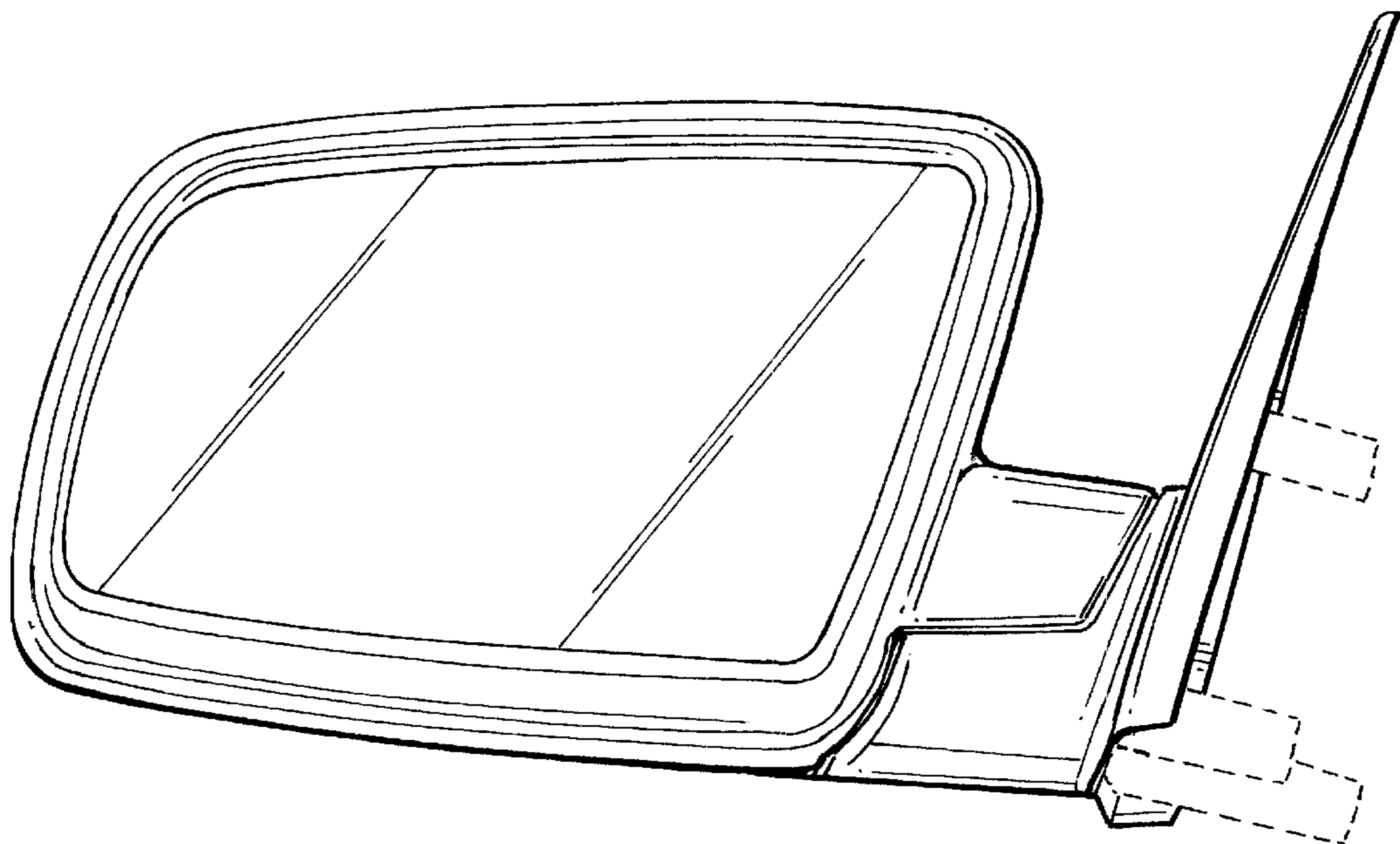


FIG. 2

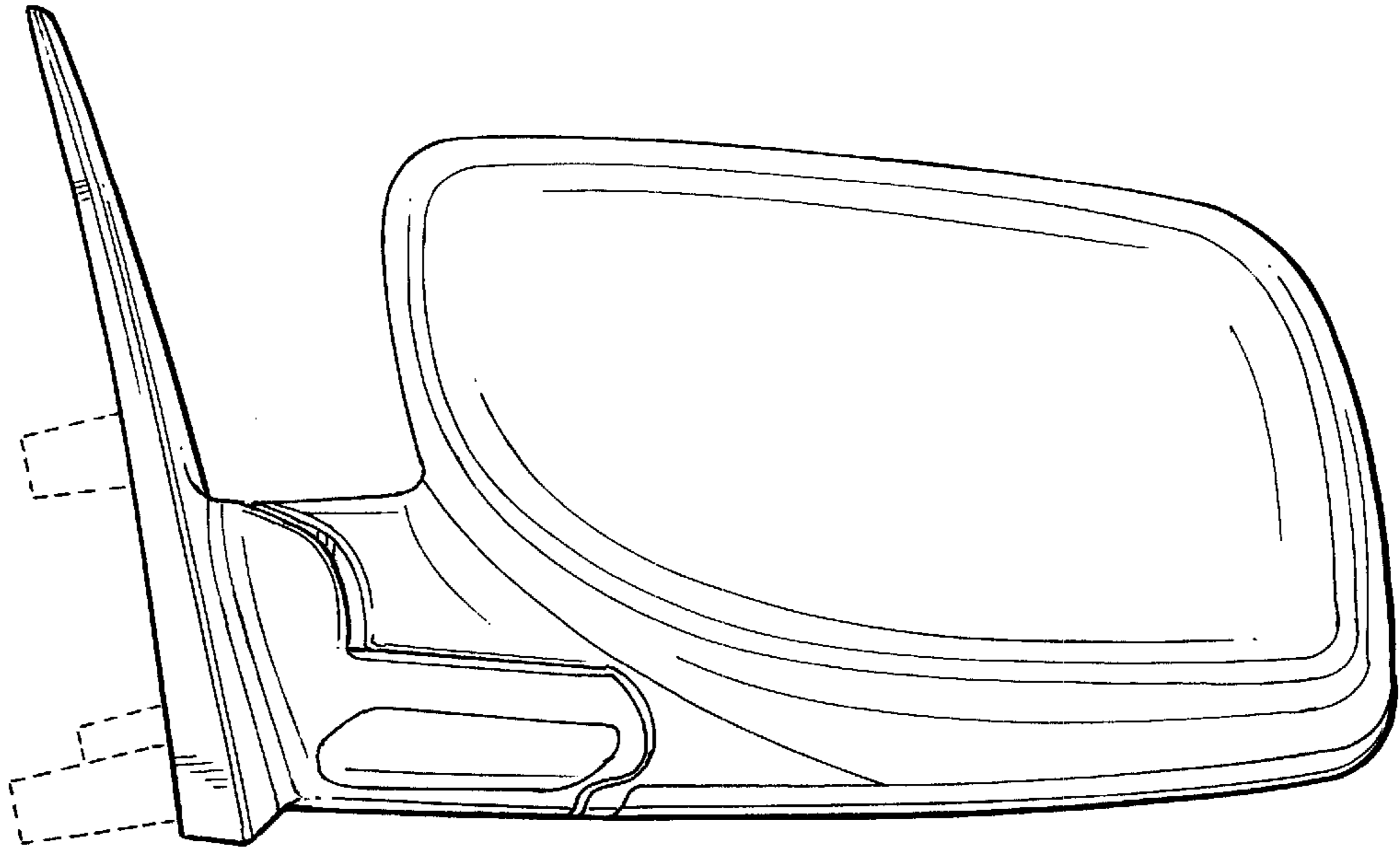


FIG. 3

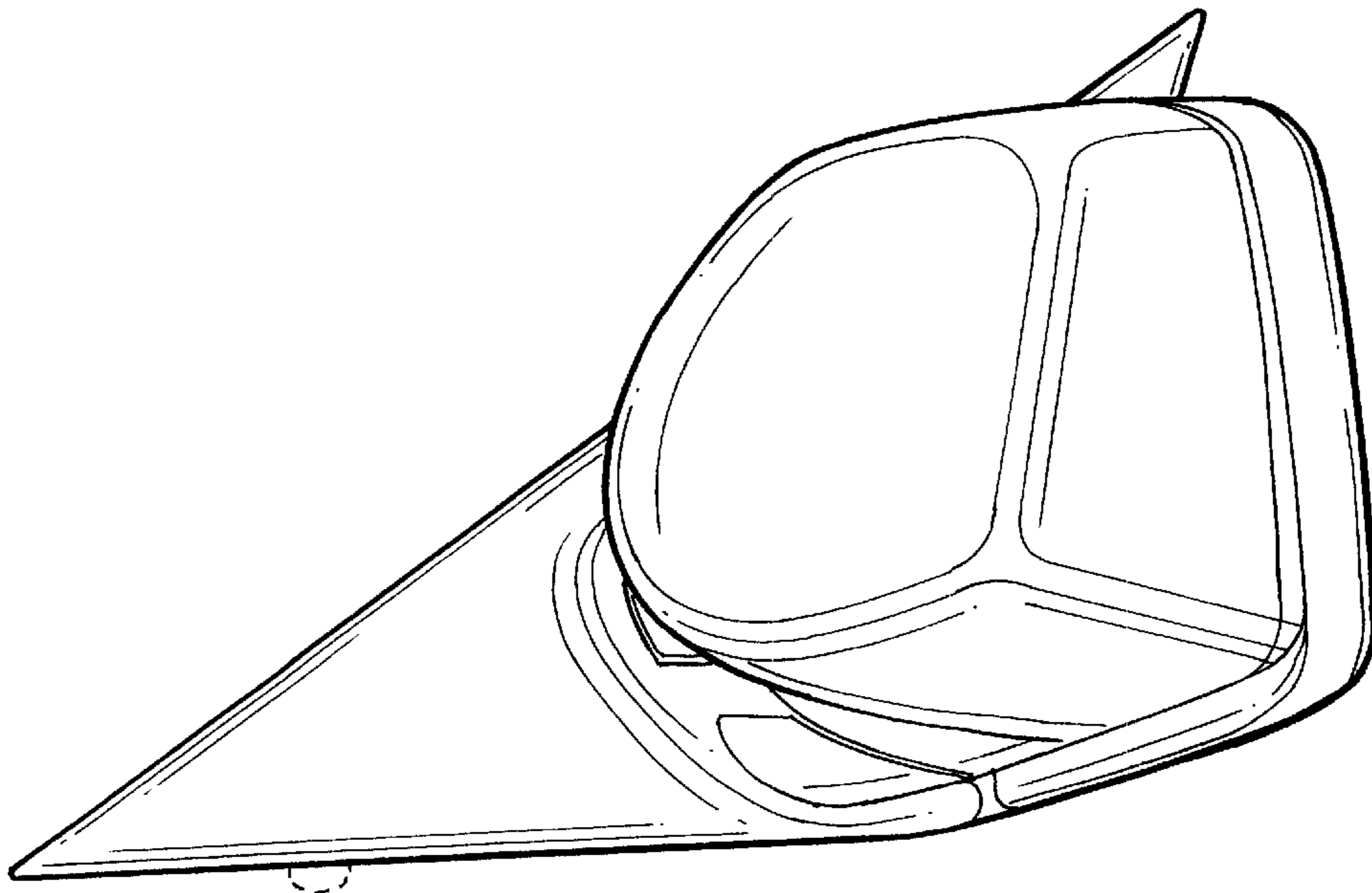


FIG. 4

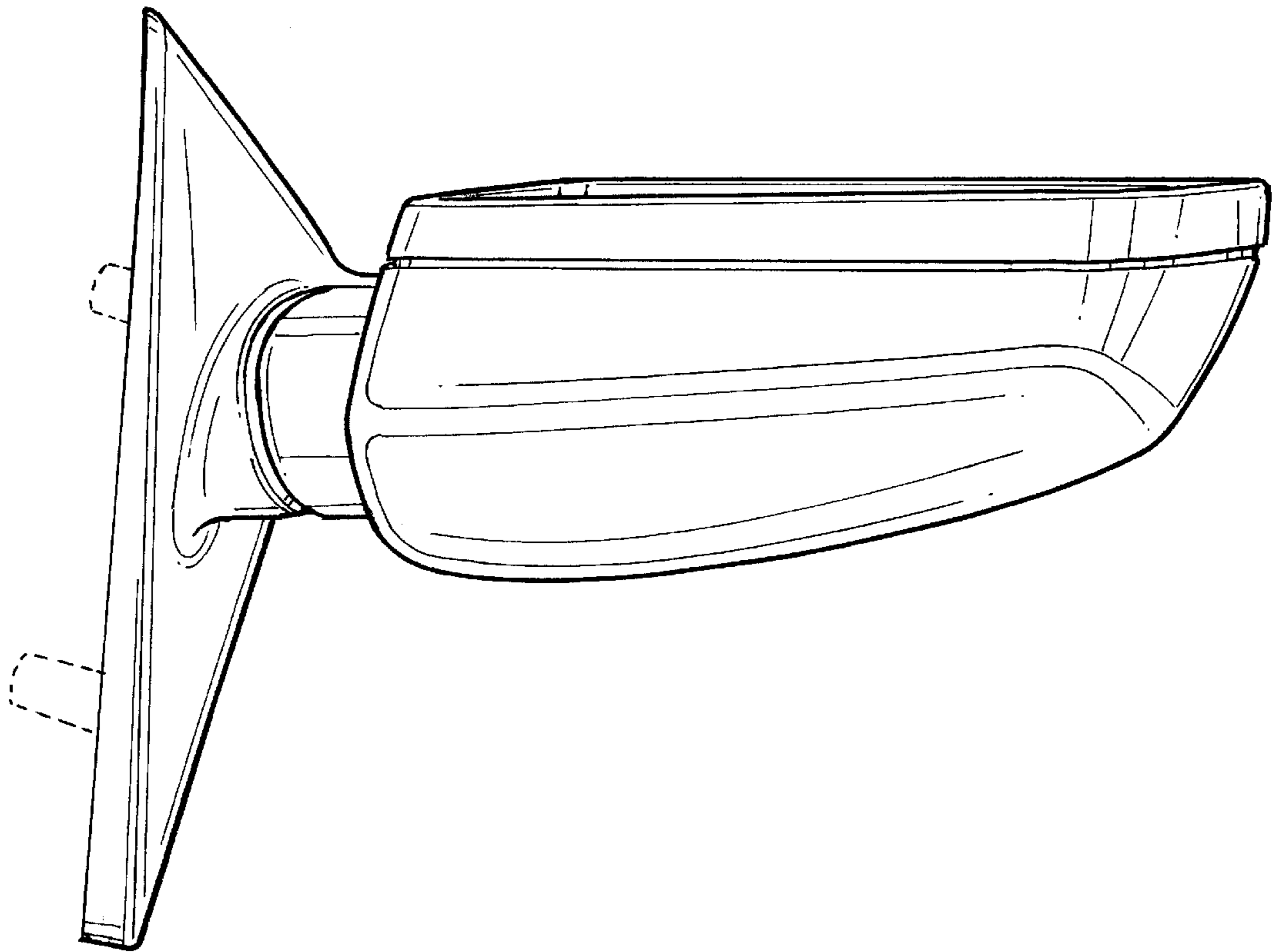


FIG. 5

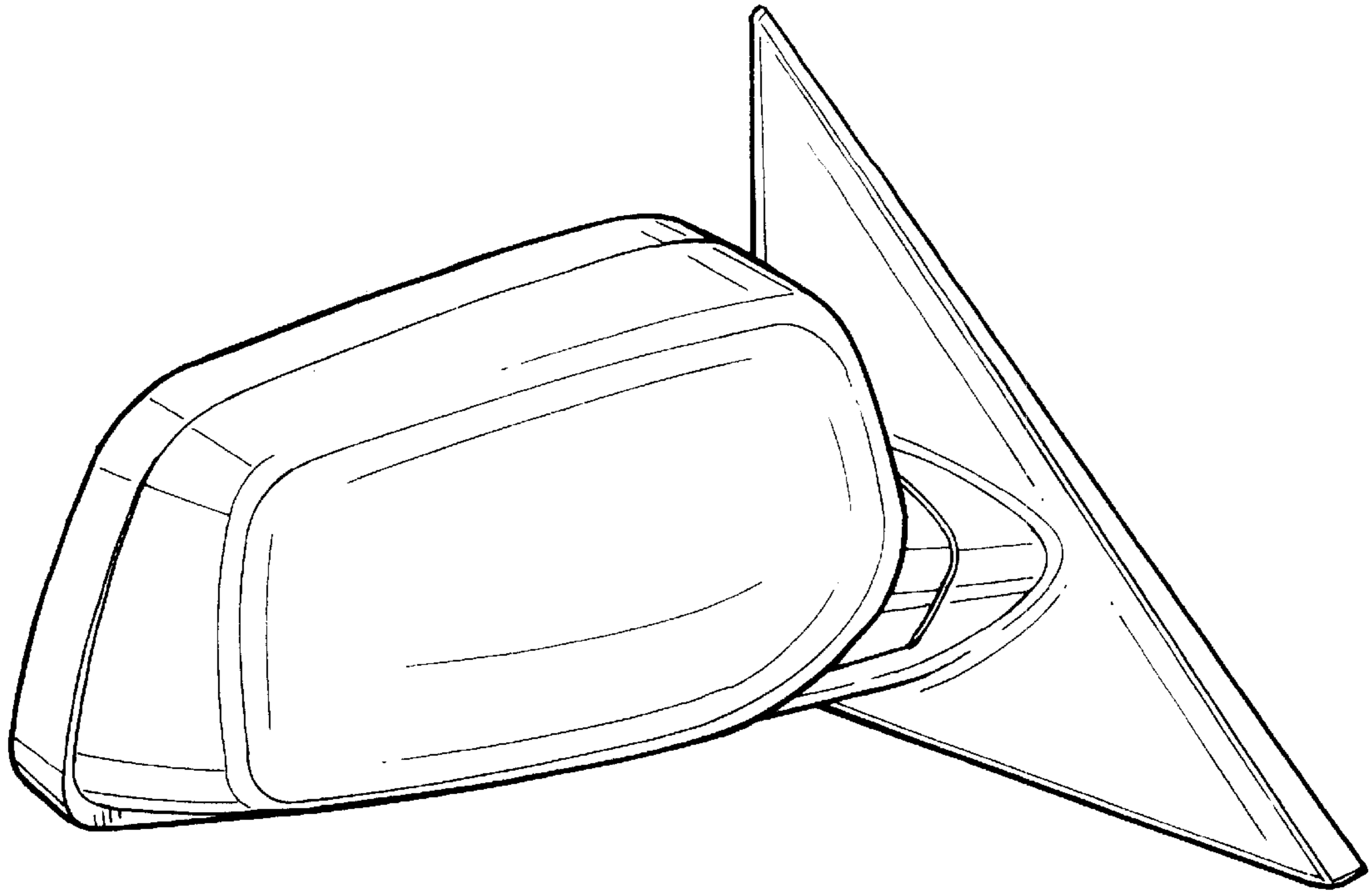


FIG. 6

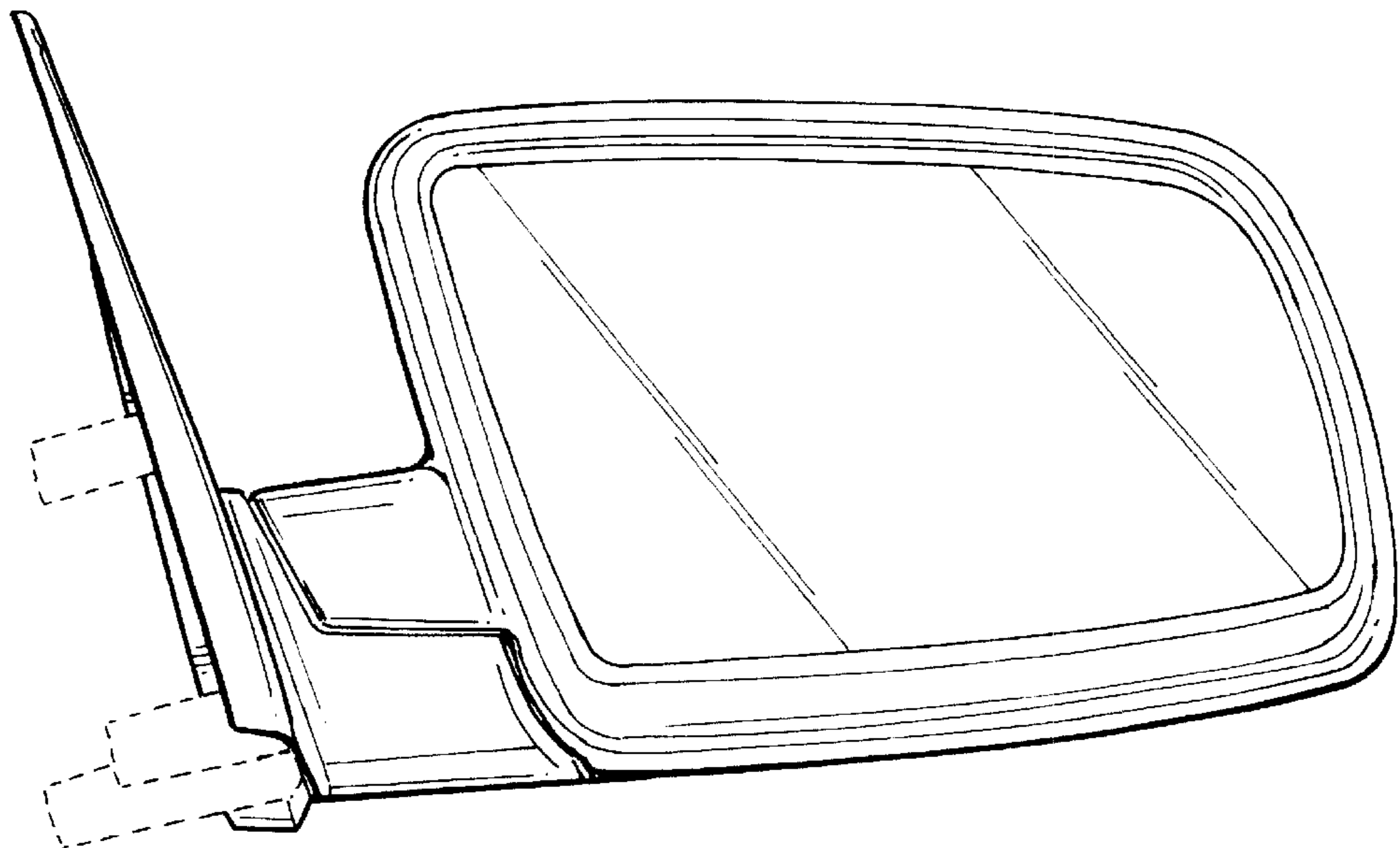


FIG. 7

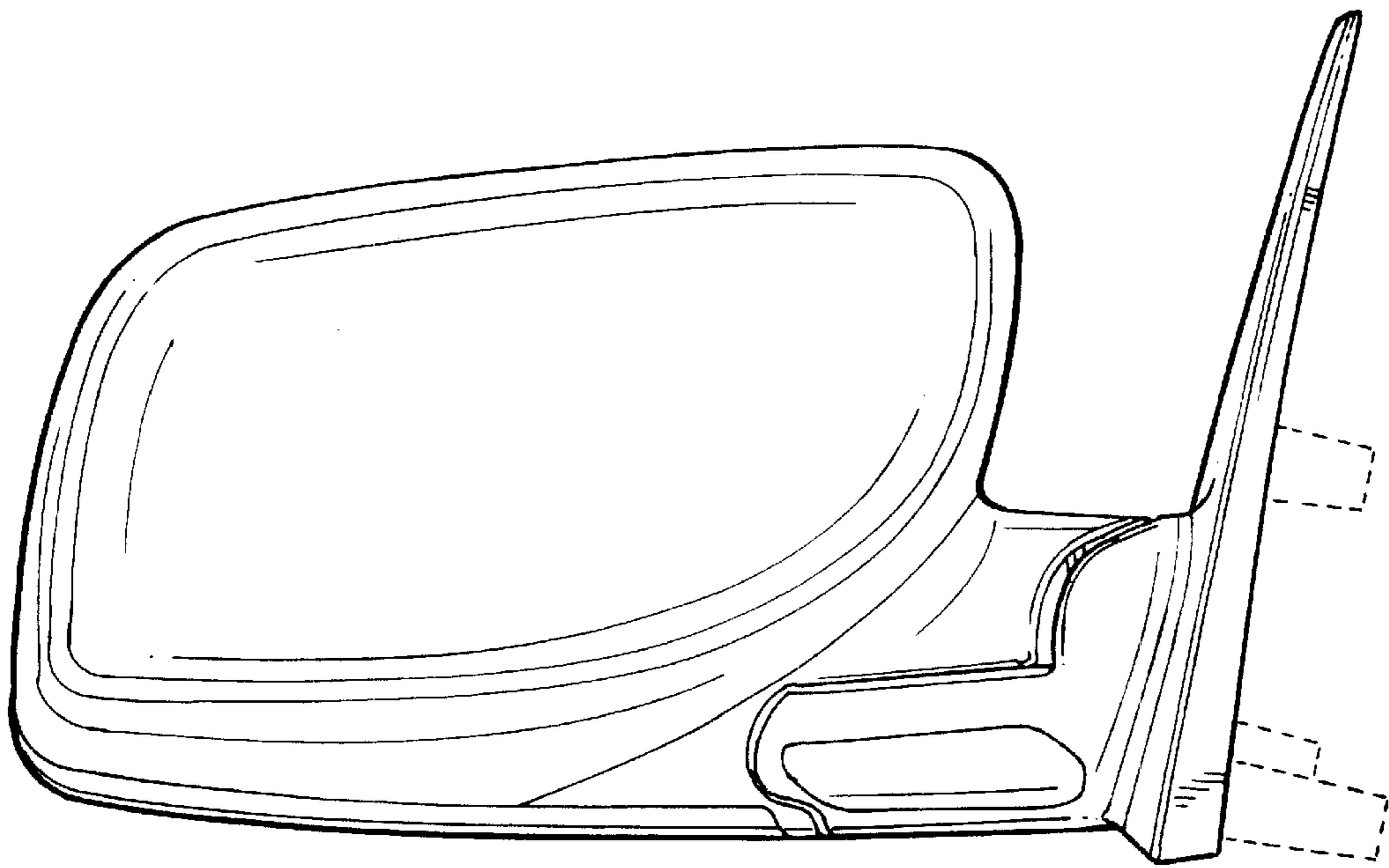


FIG. 8

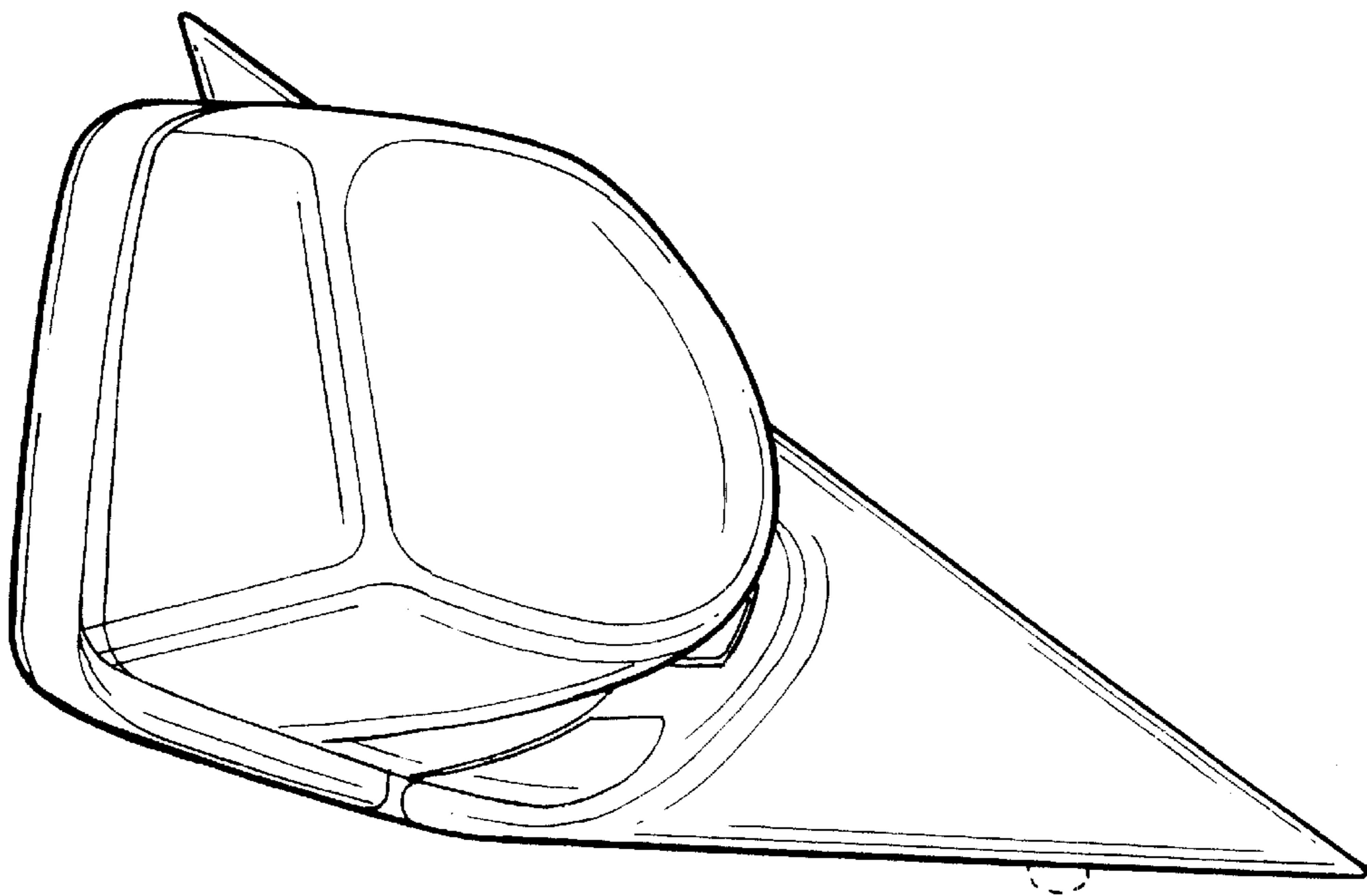


FIG. 9

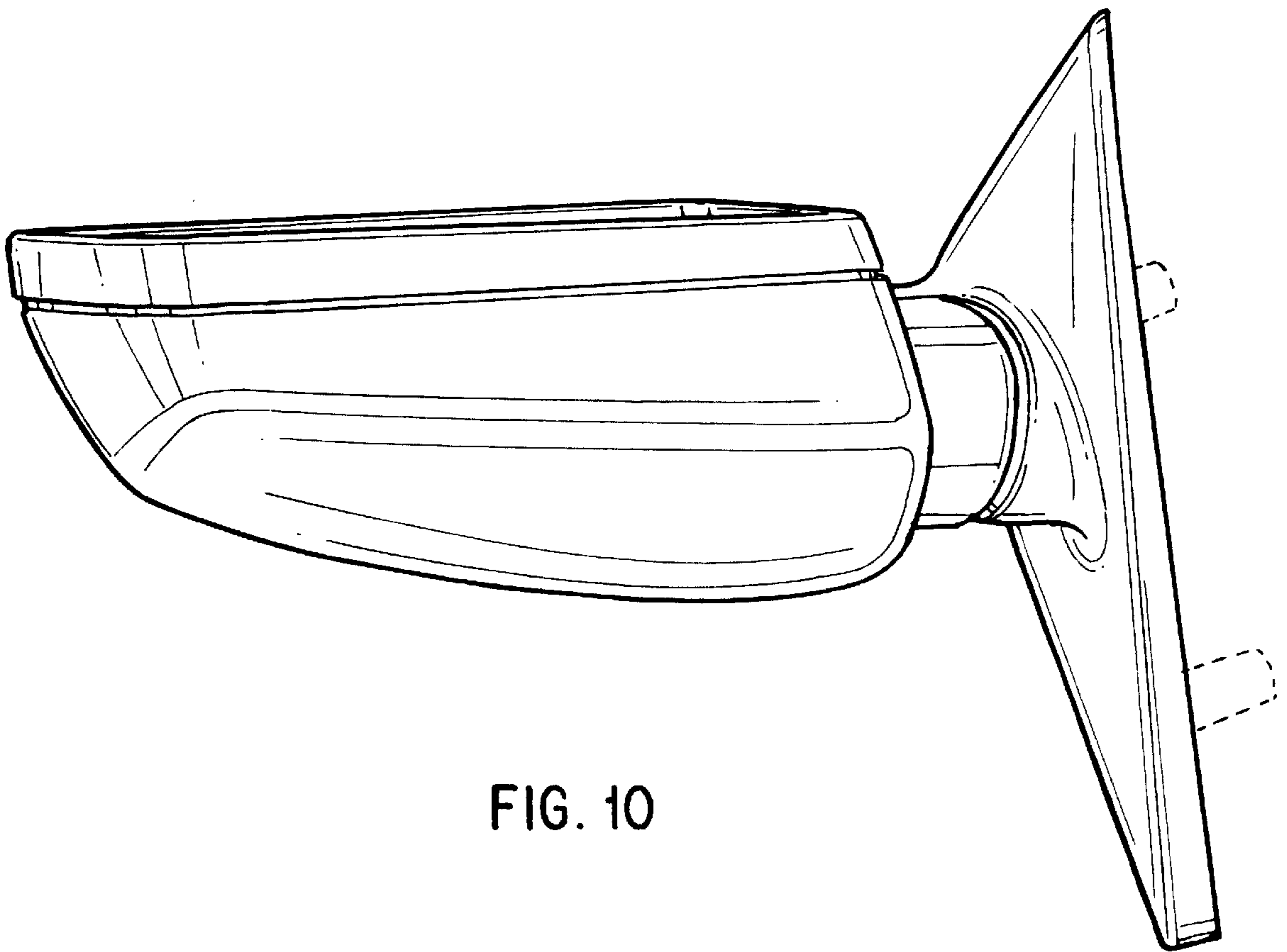


FIG. 10