



US00D478847S

(12) **United States Design Patent**
Ratto

(10) **Patent No.:** **US D478,847 S**

(45) **Date of Patent:** **** Aug. 26, 2003**

(54) **ADAPTER FOR FITTING A MOTOR TO A BICYCLE**

(76) Inventor: **Richard J. Ratto**, 121 Landrum Cir., Folsom, CA (US) 95630

(**) Term: **14 Years**

(21) Appl. No.: **29/157,317**

(22) Filed: **Mar. 12, 2002**

(51) **LOC (7) Cl.** **12-11**

(52) **U.S. Cl.** **D12/114**

(58) **Field of Search** D12/110, 111, D12/114, 117, 223; 180/205, 219, 220, 227, 228, 291, 292, 298, 299; 280/281.1, 284-288, 288.1-288.4; 248/156, 570, 635, 636, 675

(56) **References Cited**

U.S. PATENT DOCUMENTS

4,591,017 A * 5/1986 Enjo et al. 180/205
D375,471 S * 11/1996 Page et al. D12/114
D434,349 S * 11/2000 Currie et al. D12/111

* cited by examiner

Primary Examiner—Alan P. Douglas

Assistant Examiner—Linda Brooks

(74) *Attorney, Agent, or Firm*—Heisler & Associates

(57) **CLAIM**

The ornamental design for an adapter for fitting a motor to a bicycle, as shown and described.

DESCRIPTION

FIG. 1 is a perspective view of the adapter for fitting a motor to a bicycle;

FIG. 2 is a front elevation view of the invention;

FIG. 3 is a left side view of the invention;

FIG. 4 is a top plan view of the invention;

FIG. 5 is a rear elevation view of the invention;

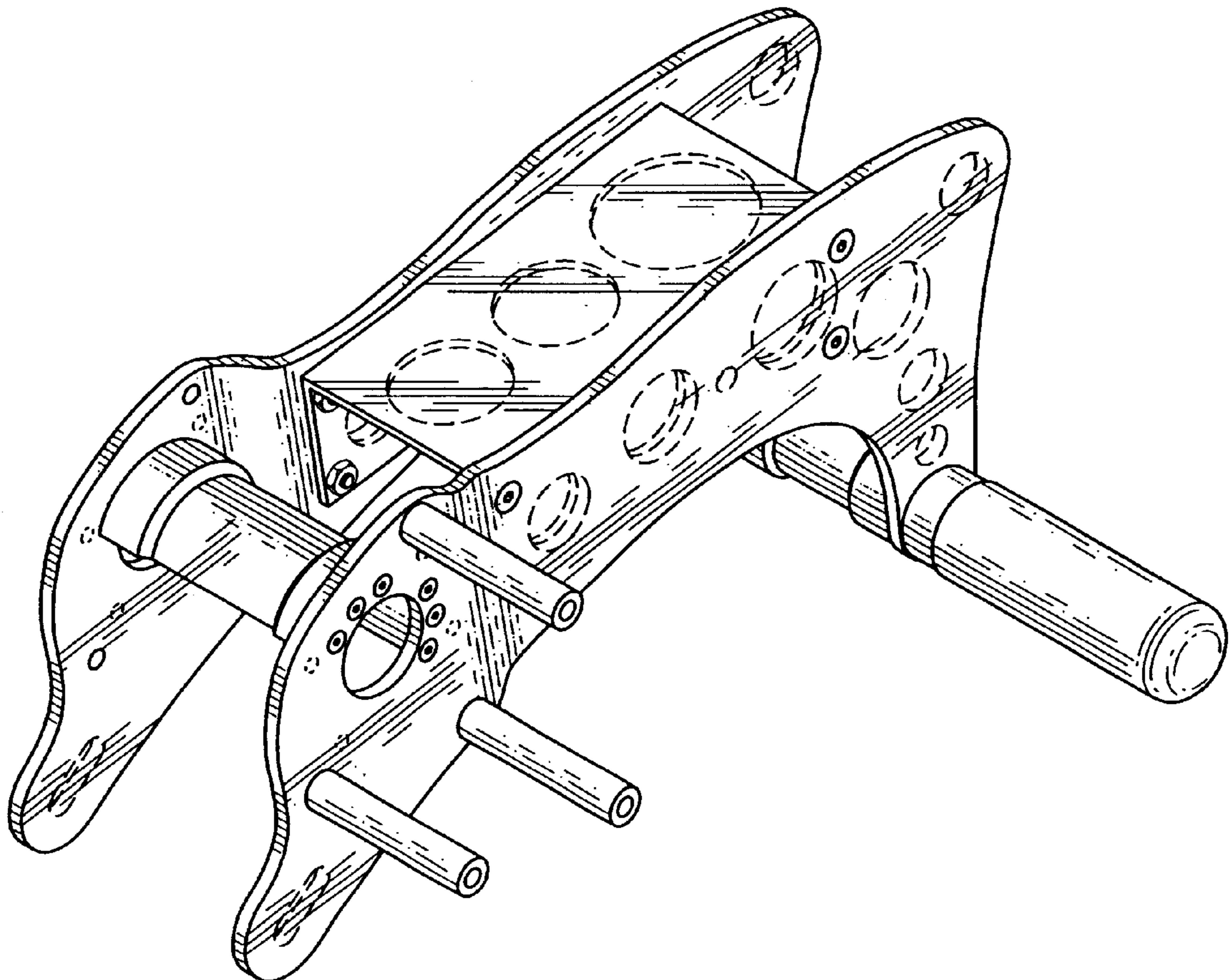
FIG. 6 is a right side view of the invention;

FIG. 7 is a bottom plan view of the invention; and,

FIG. 8 is a perspective view of the invention on a reduced scale in use mounted to a bicycle.

The broken lines in FIGS. 1-8 are for purposes of illustration only and form no part of the claimed design.

1 Claim, 3 Drawing Sheets



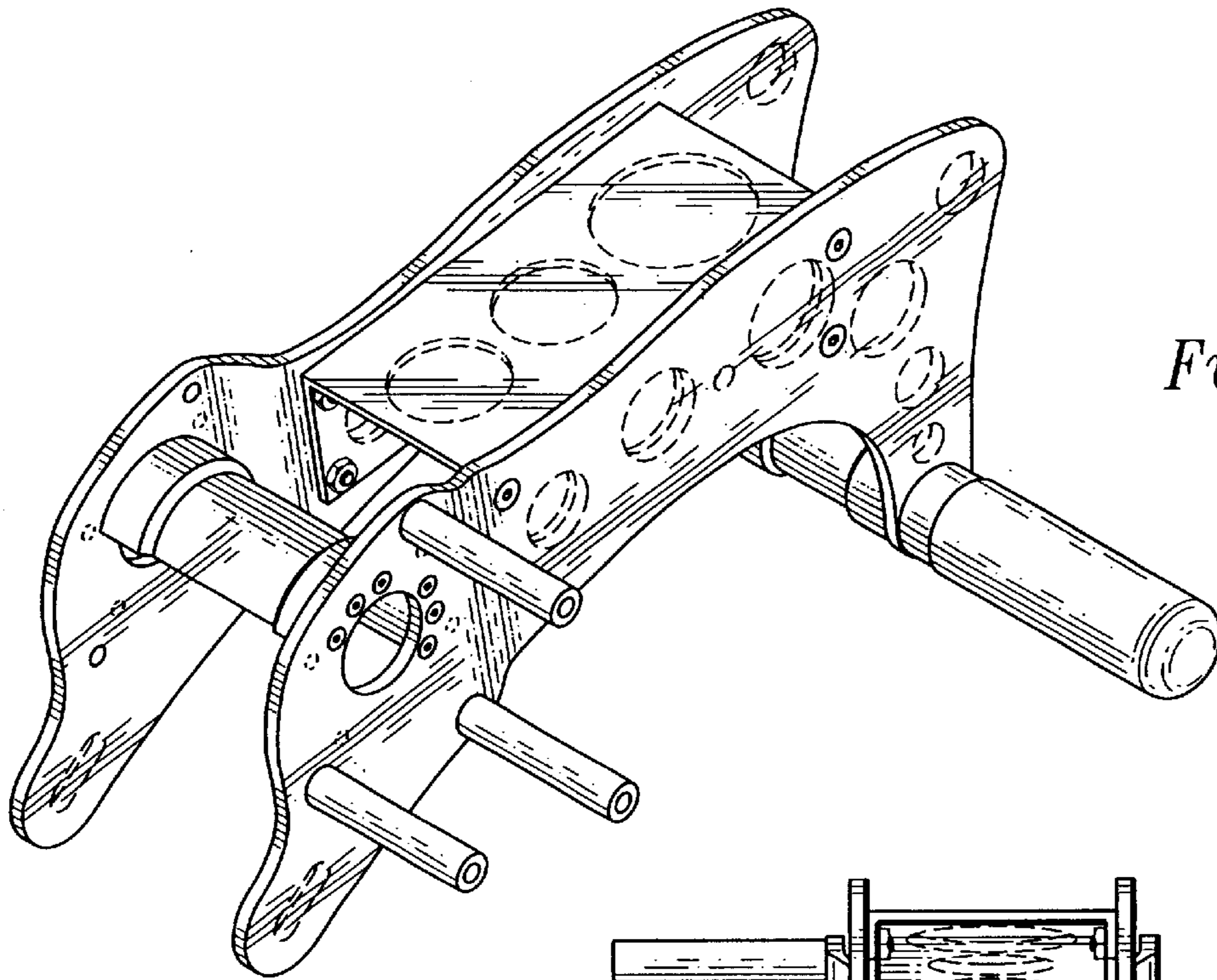


Fig. 1

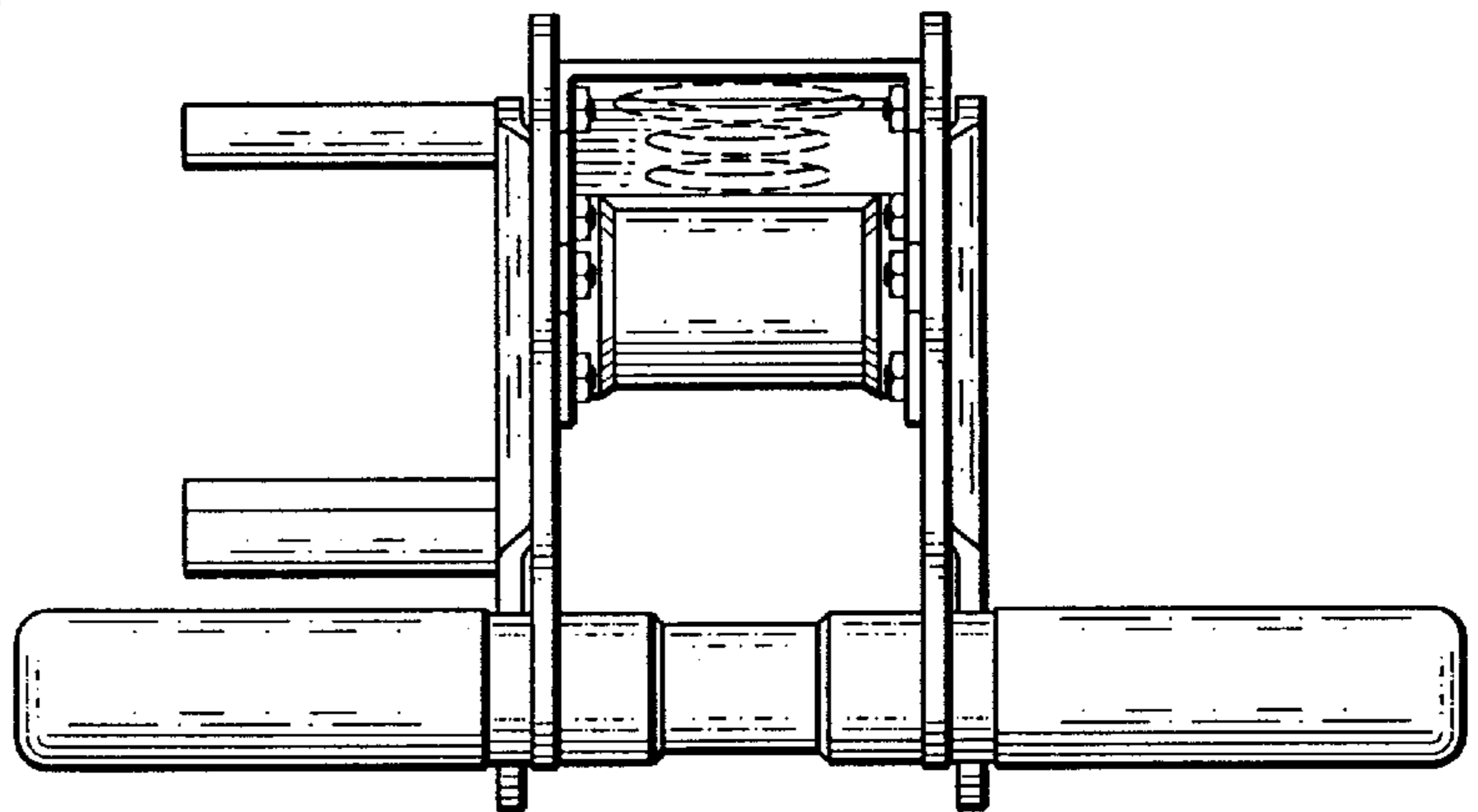


Fig. 2

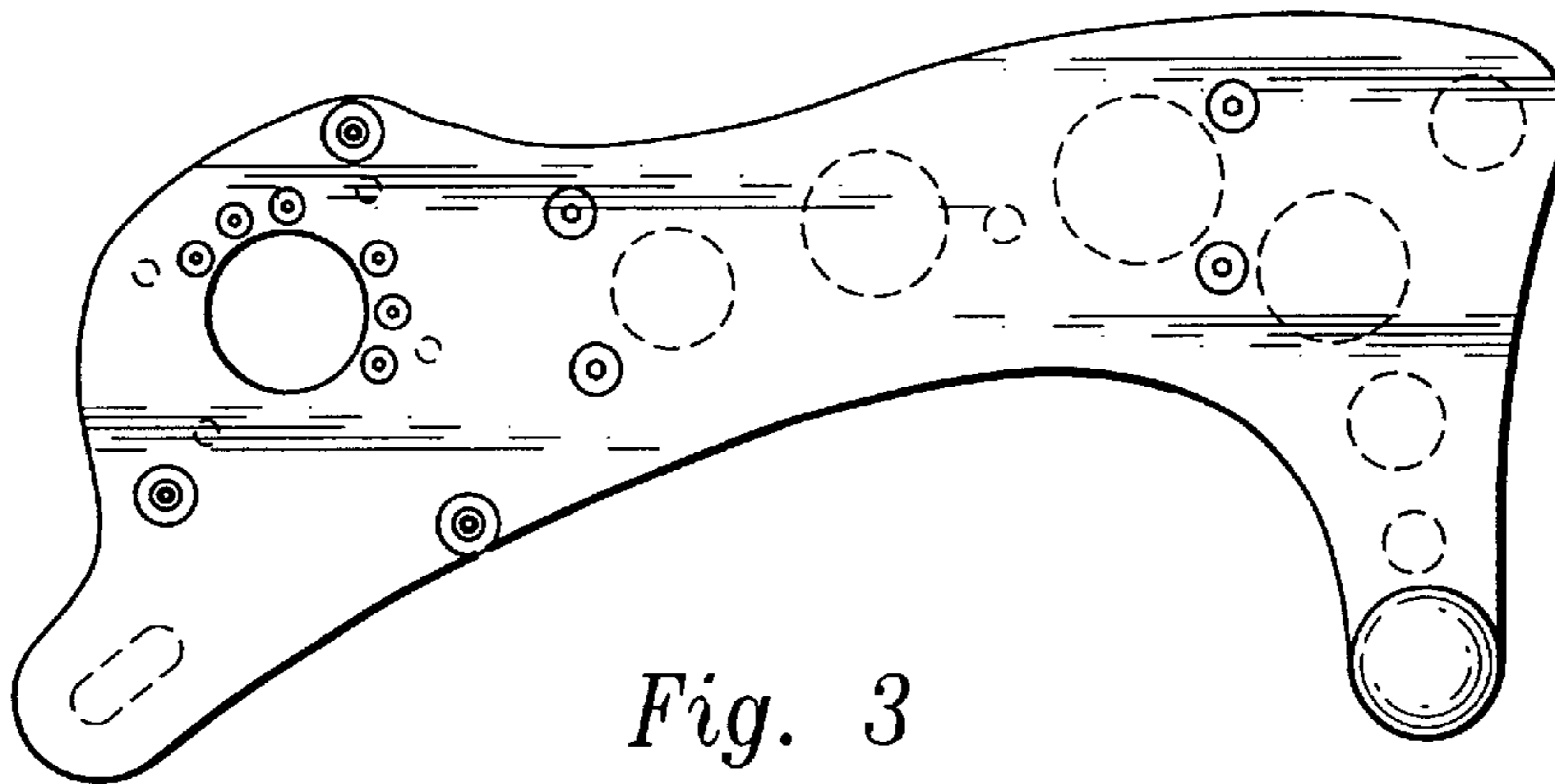


Fig. 3

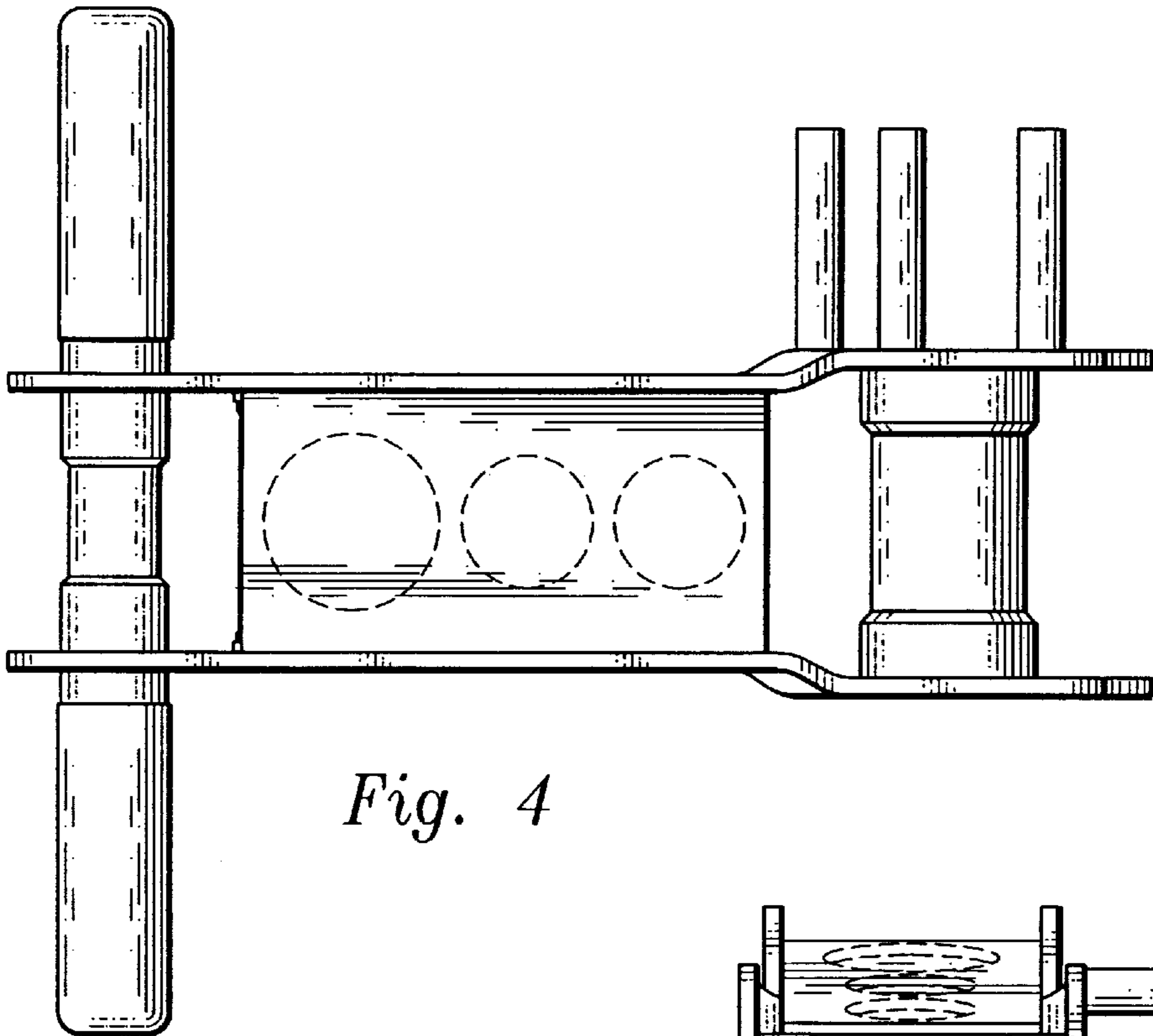


Fig. 4

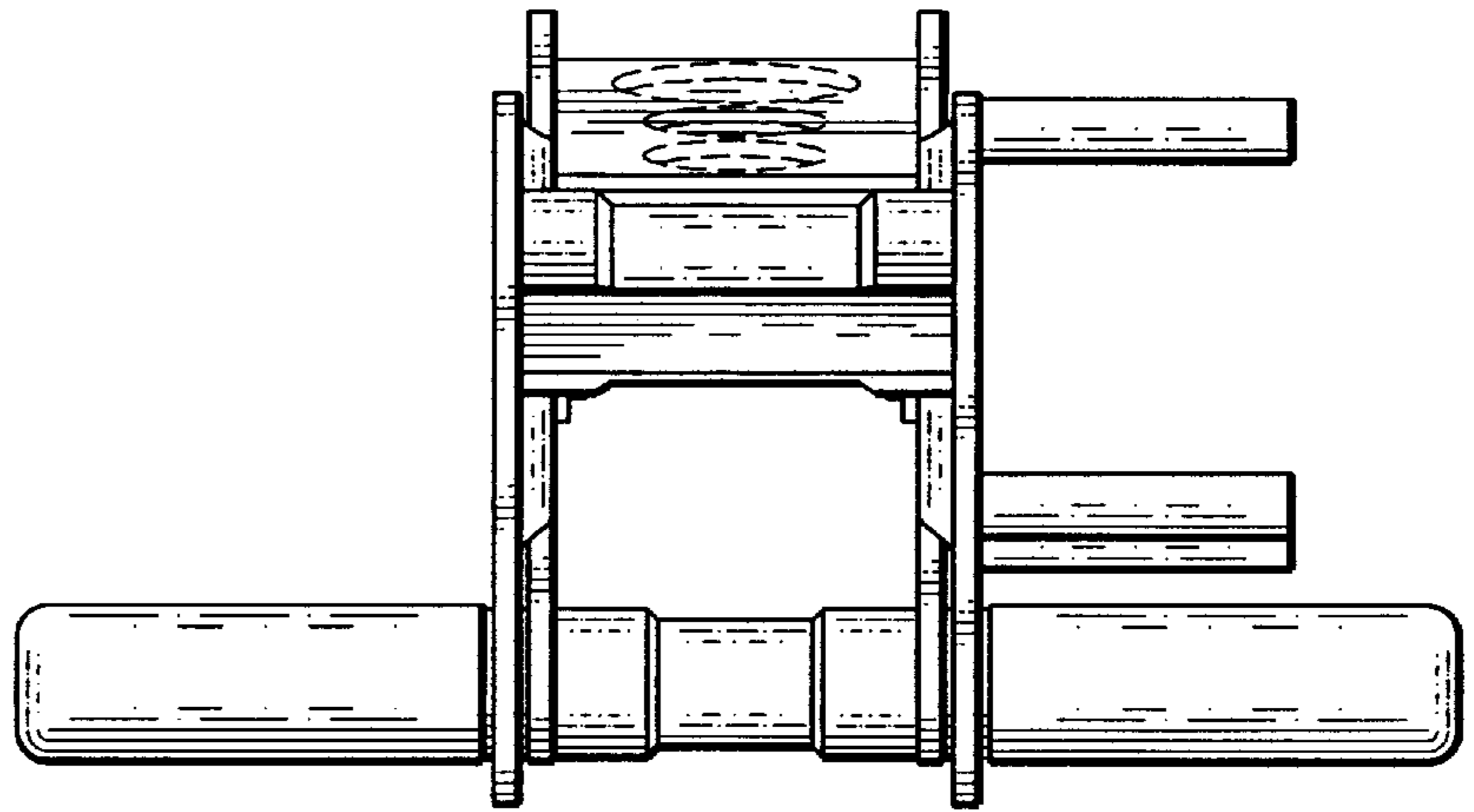


Fig. 5

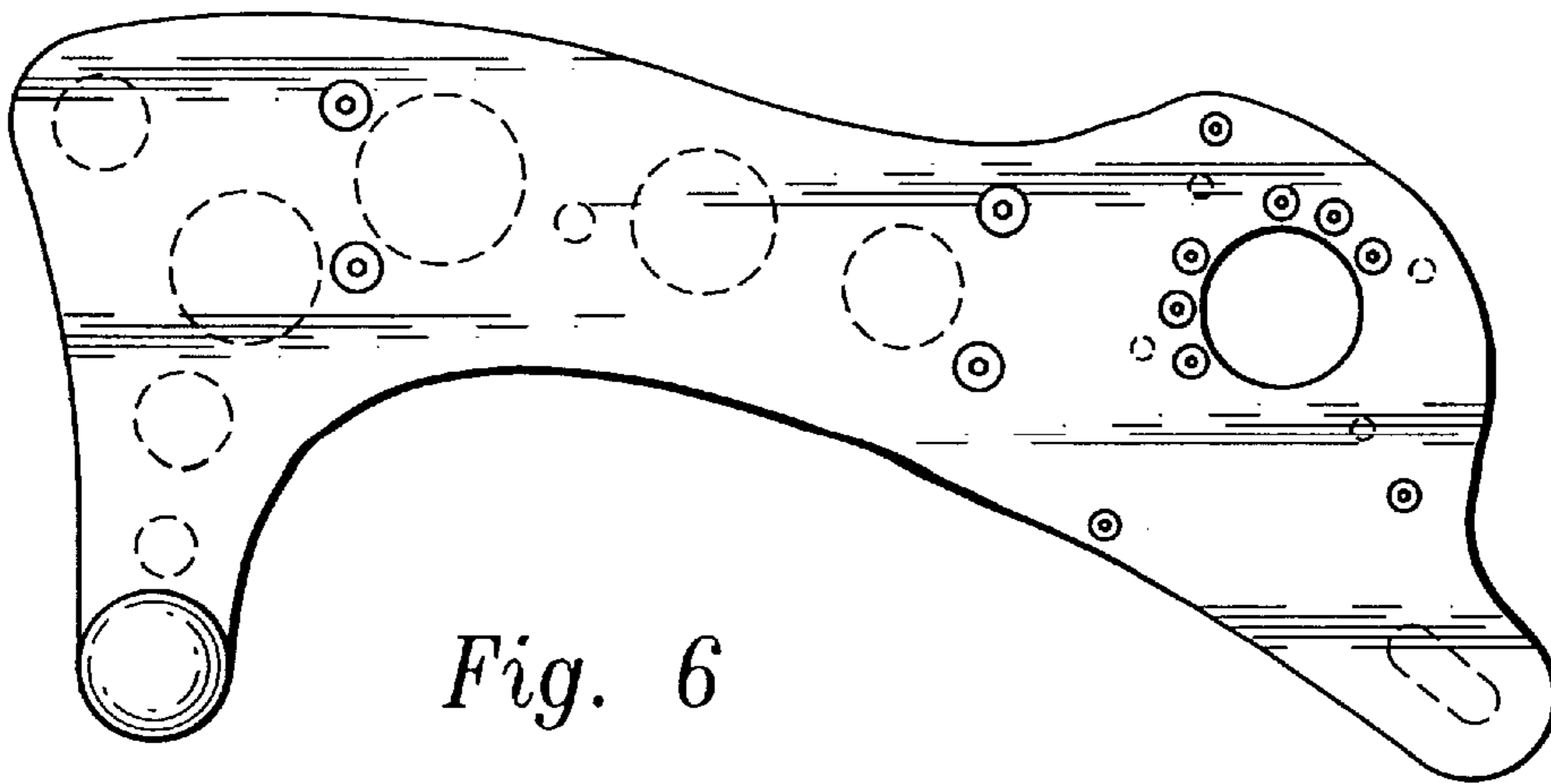


Fig. 6

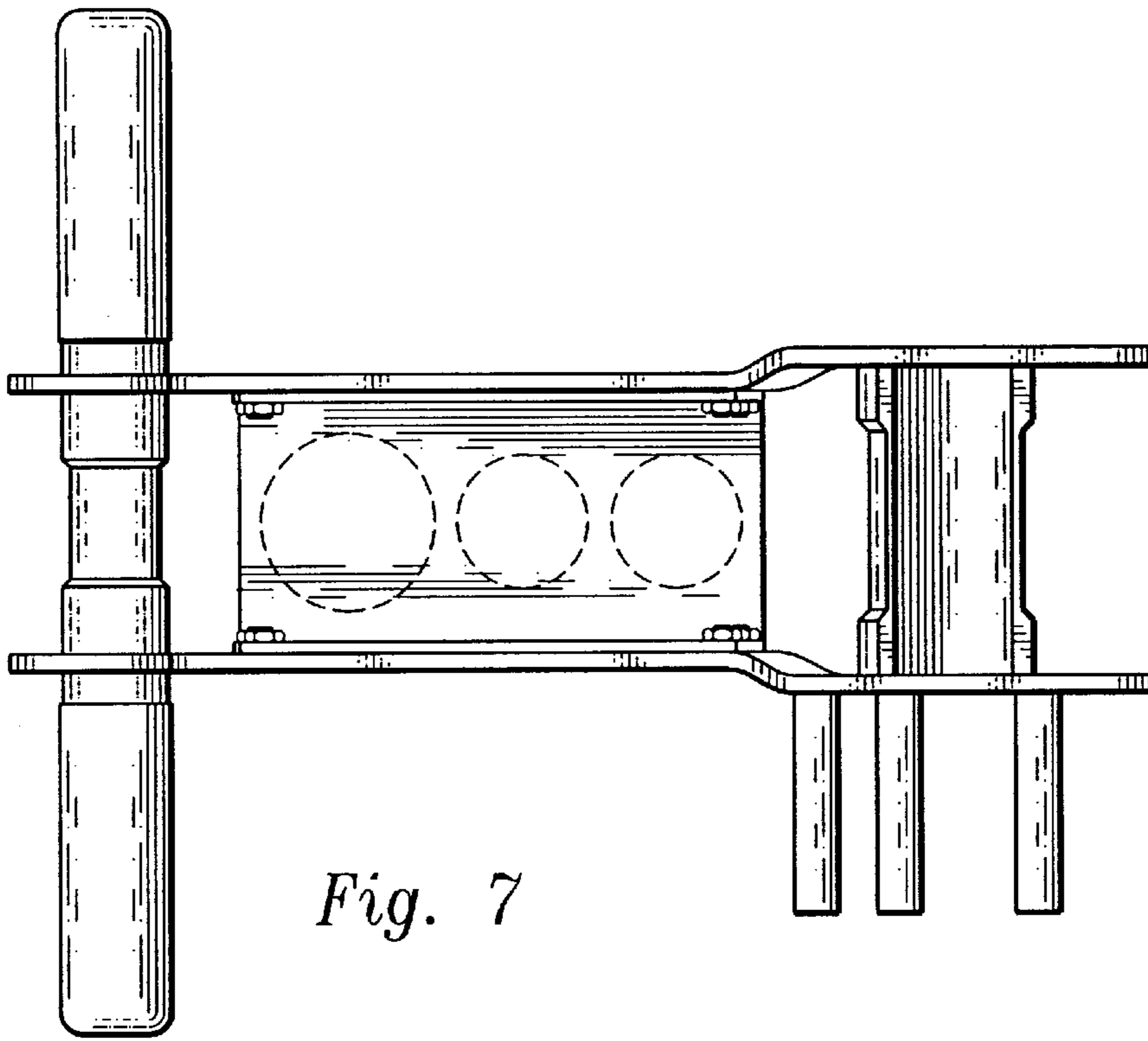


Fig. 7

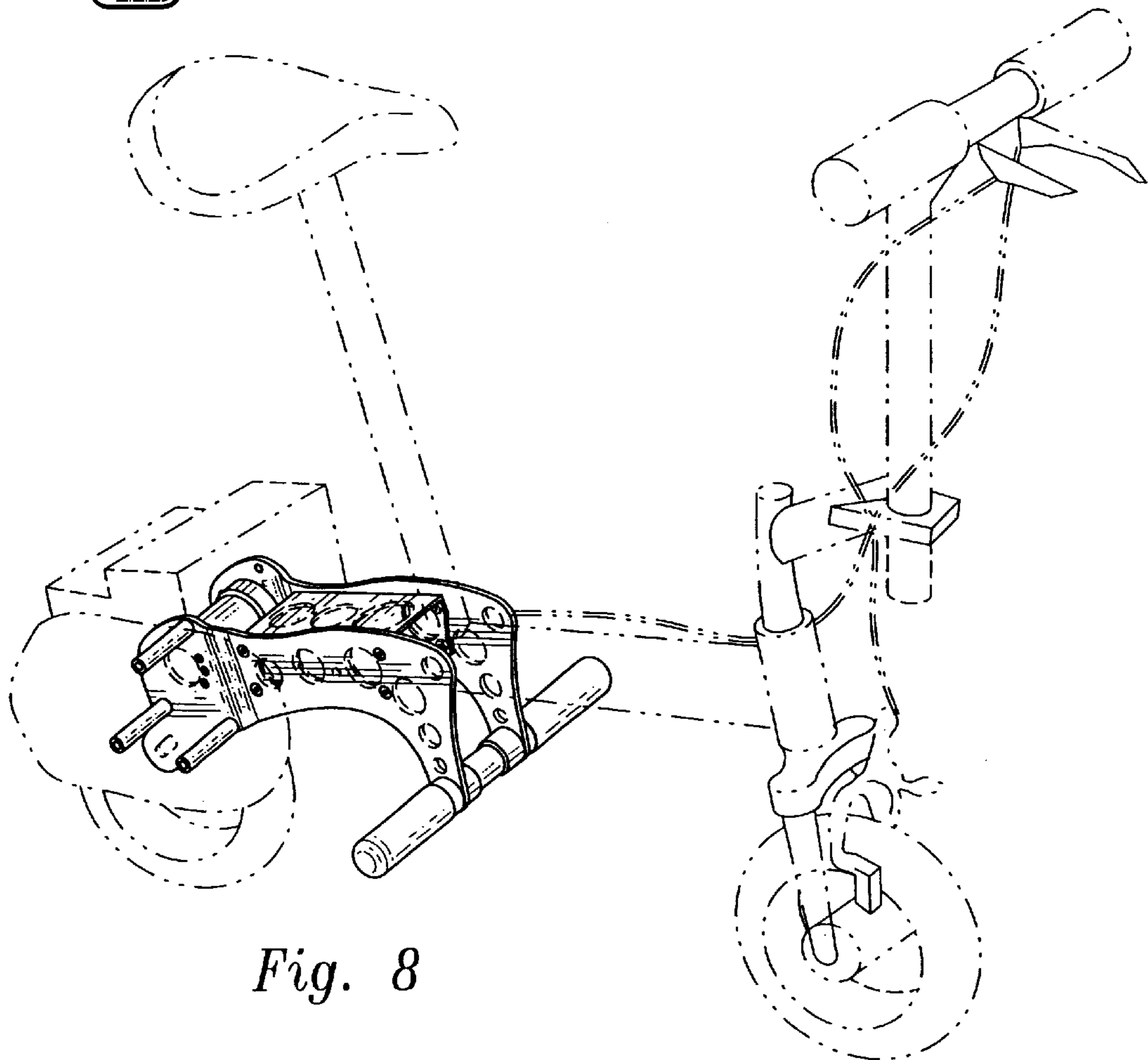


Fig. 8