



US00D478845S

(12) **United States Design Patent**
Hayashi et al.

(10) **Patent No.:** **US D478,845 S**

(45) **Date of Patent:** **** Aug. 26, 2003**

(54) **TRUCK**

(75) Inventors: **Keishi Hayashi**, Kanagawa (JP);
Mitsugu Masuda, Tokyo (JP)

(73) Assignee: **Isuzu Motors Limited**, Tokyo (JP)

(**) Term: **14 Years**

(21) Appl. No.: **29/162,021**

(22) Filed: **Jun. 5, 2002**

(51) **LOC (7) Cl.** **12-08**

(52) **U.S. Cl.** **D12/98**

(58) **Field of Search** D12/98, 93, 96;
296/183, 24.1, 37.6

(56) **References Cited**

U.S. PATENT DOCUMENTS

D419,491 S	*	1/2000	Allen	D12/98
D419,920 S	*	2/2000	Kondo	D12/98
D455,372 S	*	4/2002	Myles	D12/98
D470,436 S	*	2/2003	Lee	D12/98

* cited by examiner

Primary Examiner—Melody N. Brown

(74) *Attorney, Agent, or Firm*—Frommer Lawrence &
Haug LLP; Grace L. Pan

(57) **CLAIM**

The ornamental design for a truck, as shown and described.

DESCRIPTION

FIG. 1 is a left side elevational view of a truck according to the present invention showing the present design, the right side elevational view thereof being a mirror image;

FIG. 2 is a top plan view thereof;

FIG. 3 is a rear elevational view thereof;

FIG. 4 is a front elevational view thereof;

FIG. 5 is a perspective view of the front and left side thereof;

FIG. 6 is a perspective view of the back and left side thereof;

FIG. 7 is an enlarged partial front and left side perspective view thereof;

FIG. 8 is a perspective view of the top, front, and left side of the truck of FIG. 1. In the present design, shown for illustrative purposes and not forming part of the claimed design, transparent parts are shown with oblique lines and translucent parts are shown with crosshatched lines; and,

FIG. 9 is an elevational view of the top, rear, and left side of the truck of FIG. 1. In the present design, shown for illustrative purposes and not forming part of the claimed design, transparent parts are shown with oblique lines and translucent parts are shown with crosshatched lines.

1 Claim, 5 Drawing Sheets



FIG. 1

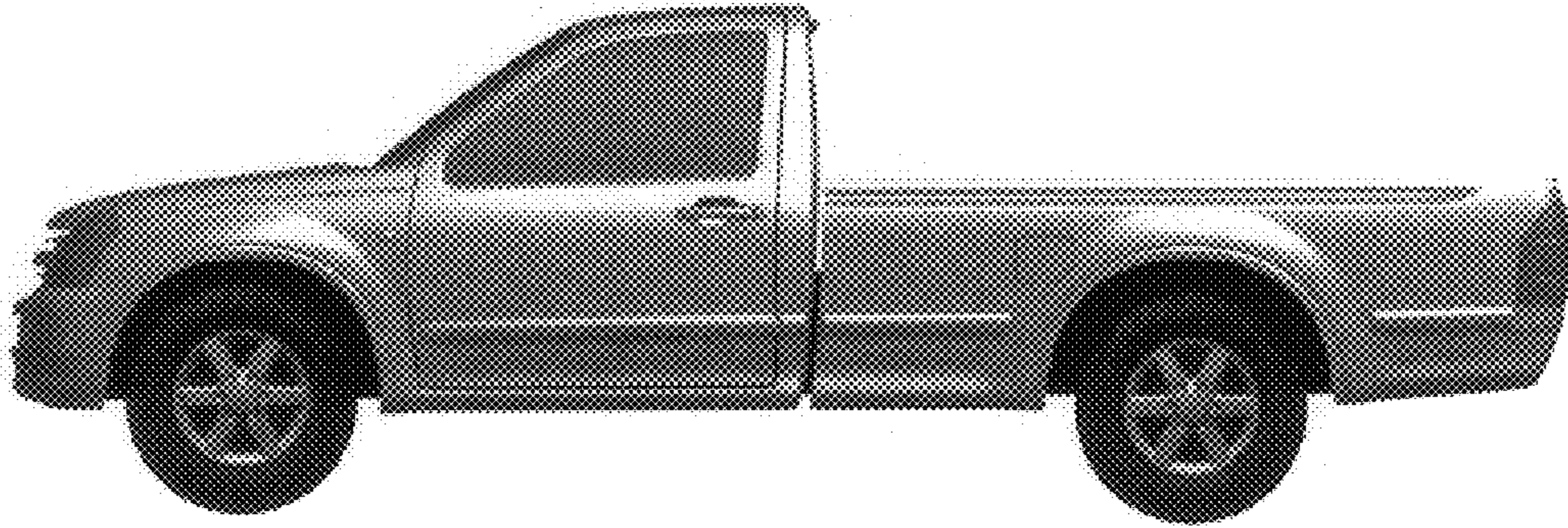


FIG. 2

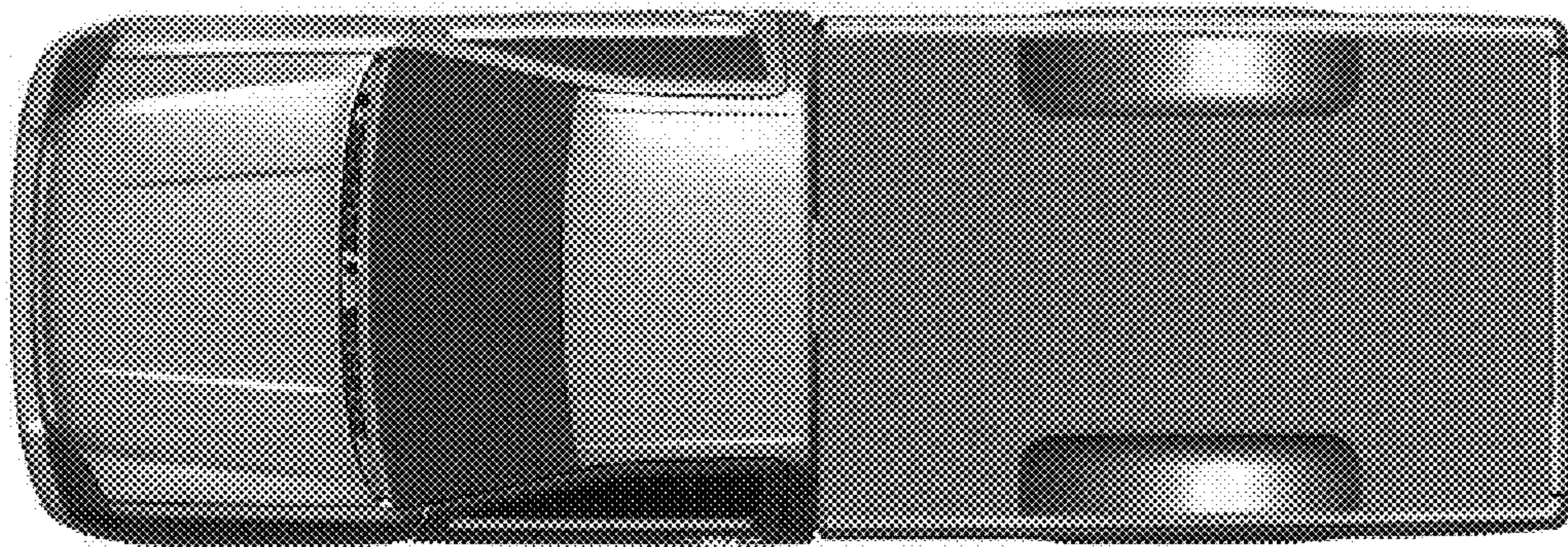


FIG. 3

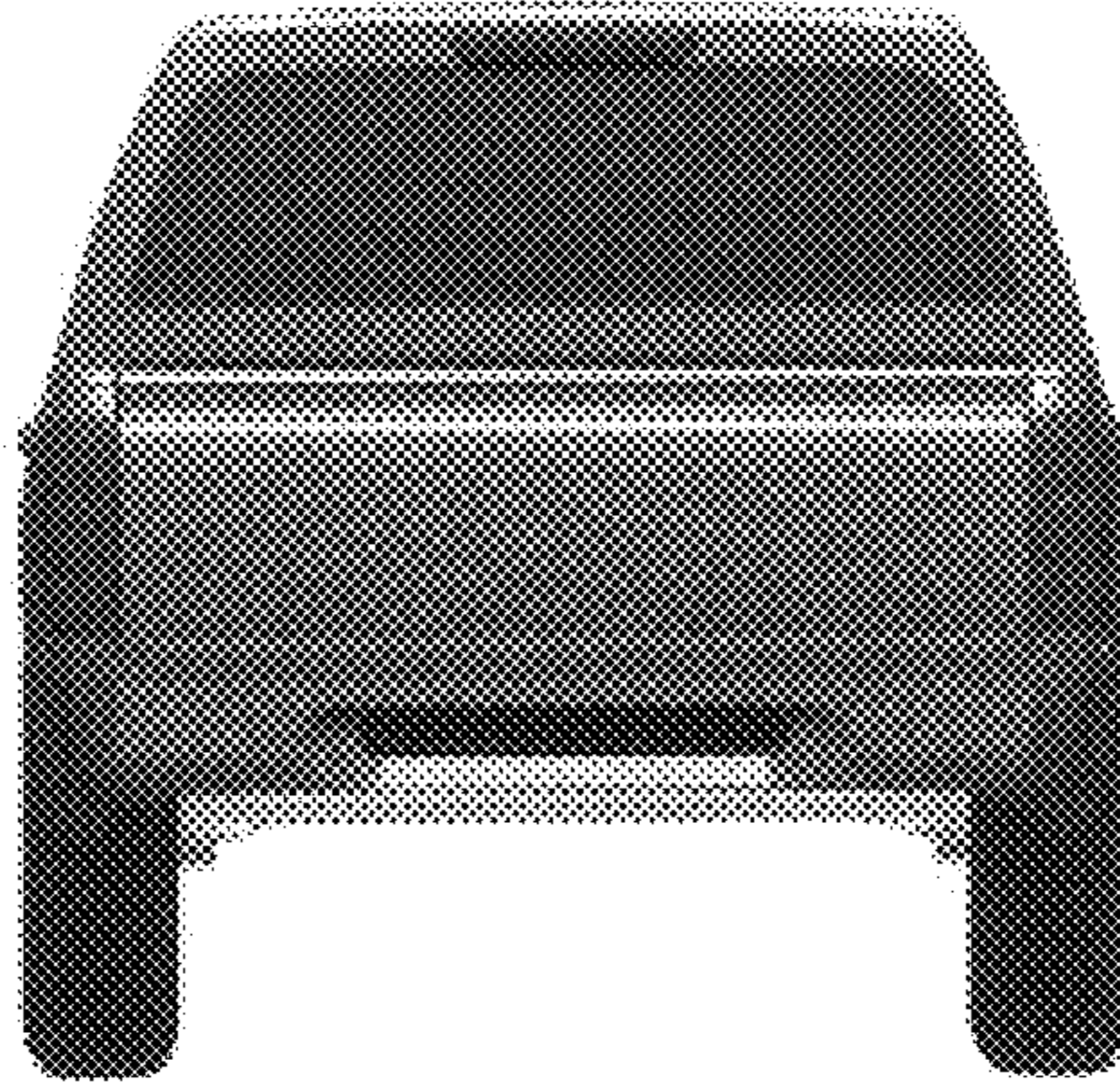


FIG. 4

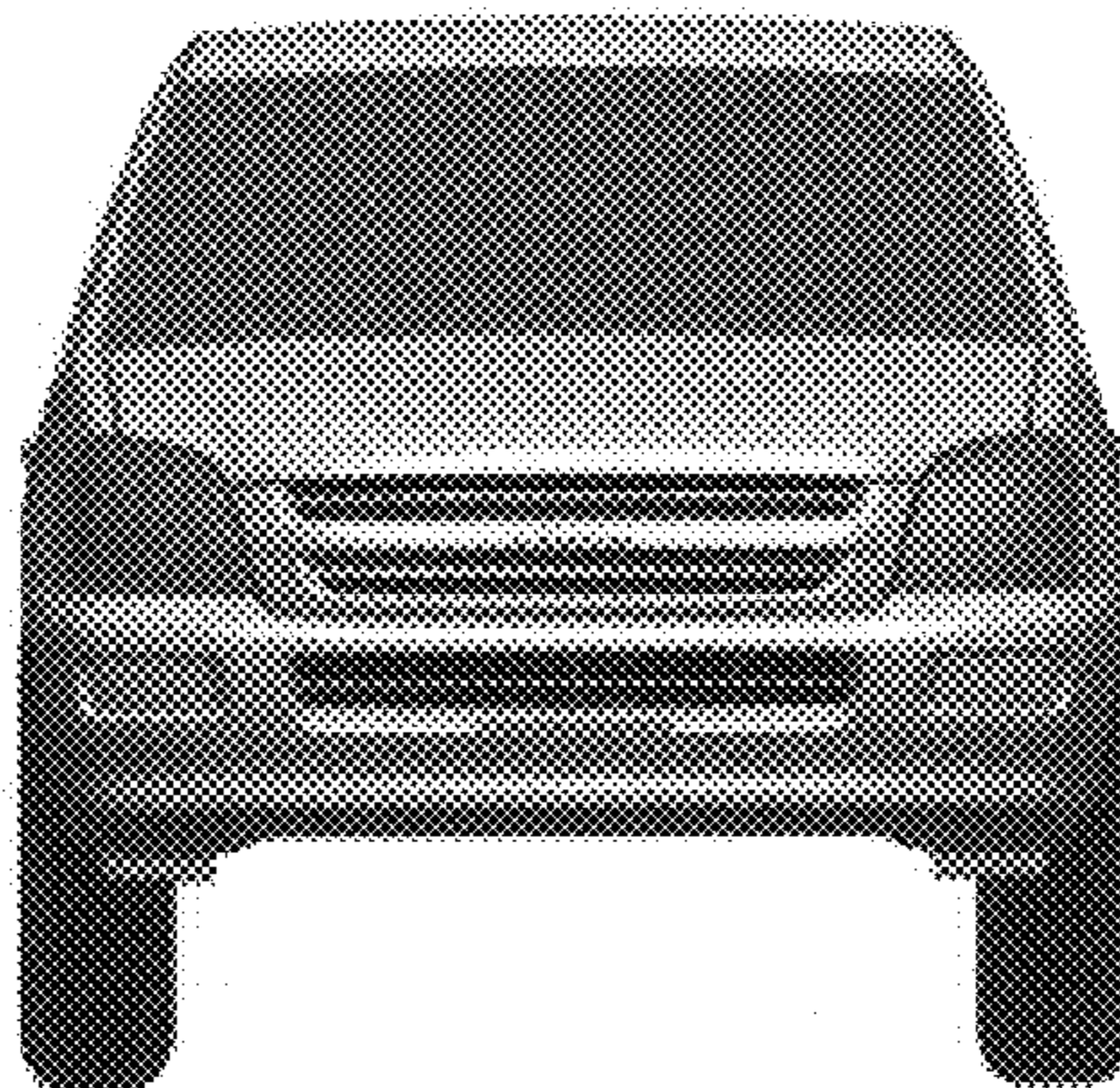


FIG. 5

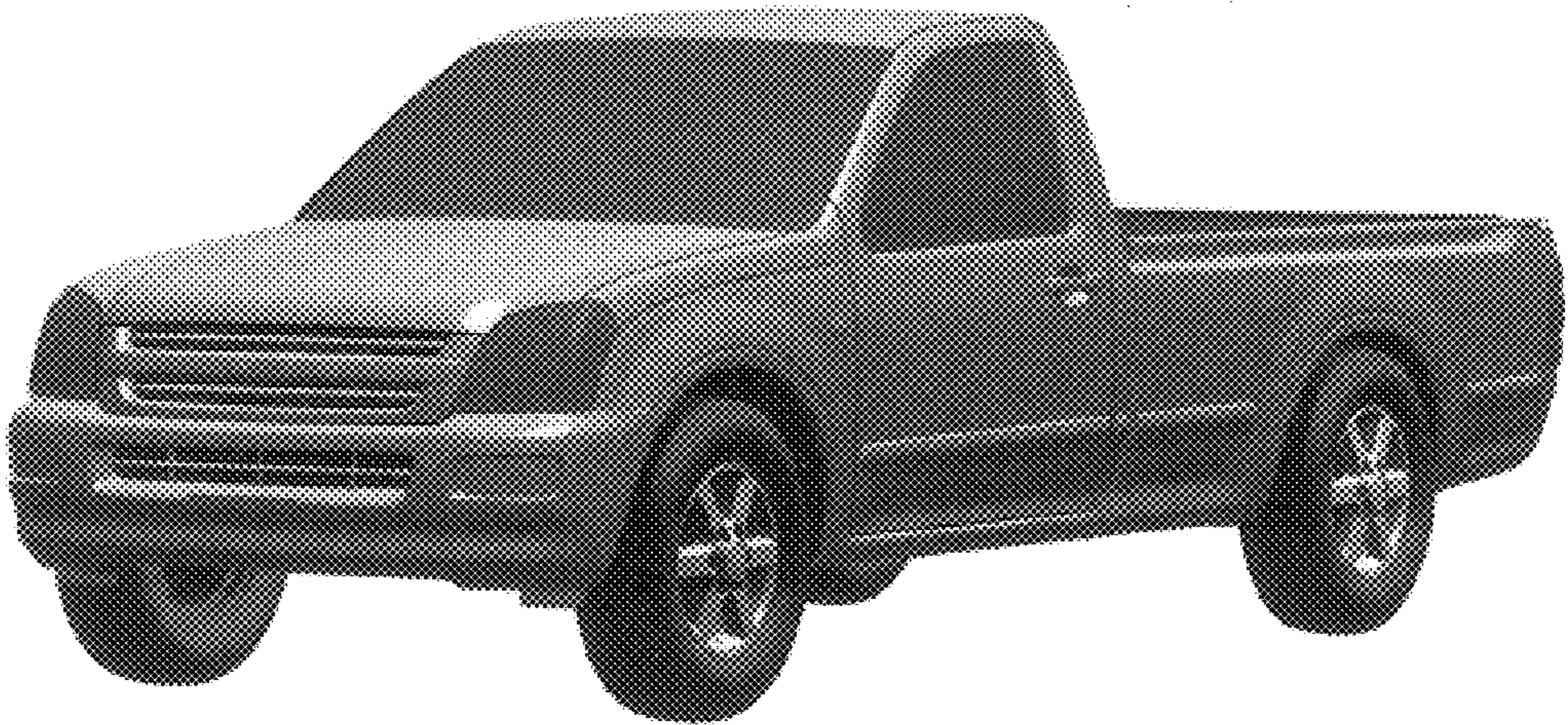


FIG. 6

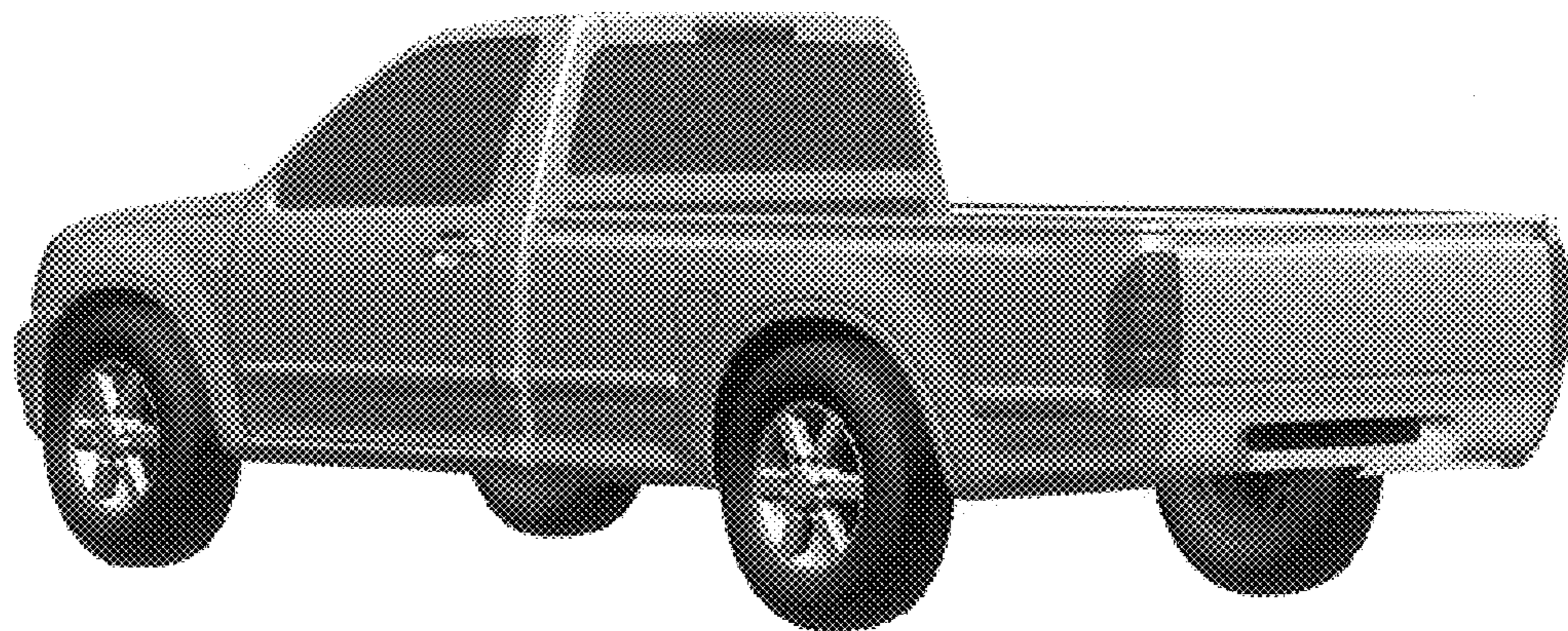


FIG. 7

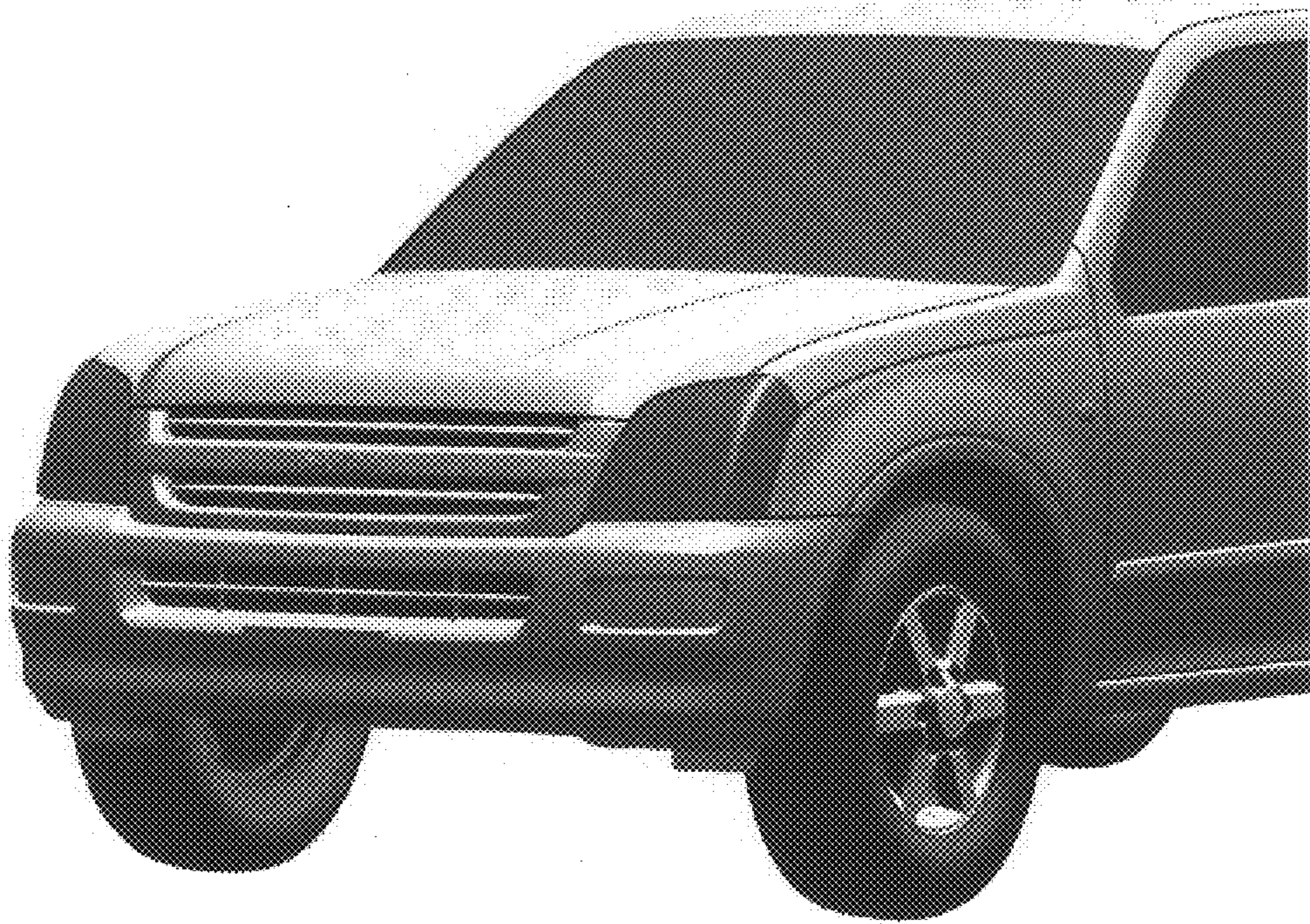


FIG. 8



FIG. 9

