



US00D478841S

(12) **United States Design Patent**
Bruns

(10) **Patent No.:** **US D478,841 S**

(45) **Date of Patent:** **** Aug. 26, 2003**

(54) **COMBINED SNOWMOBILE SKI AND HANDLE**

(76) **Inventor:** **Steven A. Bruns**, 46988 730th Ave., Hector, MN (US) 55342

(**) **Term:** **14 Years**

(21) **Appl. No.:** **29/173,265**

(22) **Filed:** **Dec. 26, 2002**

Related U.S. Application Data

(63) Continuation-in-part of application No. 29/156,098, filed on Feb. 25, 2002, now Pat. No. Des. 467,840.

(51) **LOC (7) Cl.** **12-13**

(52) **U.S. Cl.** **D12/7**

(58) **Field of Search** D12/6-7, 9-11;
D21/760, 766-767, 769; 180/182, 184,
186, 190; 280/25-28, 16, 21.1, 22, 602,
809, 845

(56) **References Cited**

U.S. PATENT DOCUMENTS

3,765,695	A	10/1973	McGregor	280/28
3,817,544	A	6/1974	Labelle	280/28
3,854,541	A	* 12/1974	Hollnagel	280/26
3,967,692	A	* 7/1976	Hoffman	180/182 X
4,382,849	A	* 5/1983	Spicer	204/258
4,595,211	A	* 6/1986	Fitzpatrick	280/28
5,145,201	A	* 9/1992	Metheny	280/609
5,165,709	A	* 11/1992	Jacques	280/28
5,344,168	A	* 9/1994	Olson et al.	280/28
5,360,220	A	11/1994	Simmons	280/28
5,700,020	A	* 12/1997	Noble	280/28
5,836,594	A	11/1998	Simmons	280/28
D403,988	S	* 1/1999	Chapdelaine	D12/7
D408,759	S	* 4/1999	Chapdelaine	D12/7
6,086,101	A	* 7/2000	Cormican	280/809
6,102,413	A	* 8/2000	Khennache et al.	280/28
6,331,008	B2	* 12/2001	Cormican	280/22

6,345,666	B1	* 2/2002	Conrad	165/154
6,378,889	B1	* 4/2002	Moriyama et al.	280/609
6,431,561	B1	* 8/2002	Hedlund	280/28
D467,840	S	12/2002	Bruns et al.	D12/7
2001/0054805	A1	12/2001	Cormican	280/22

* cited by examiner

Primary Examiner—Nelson C. Holtje

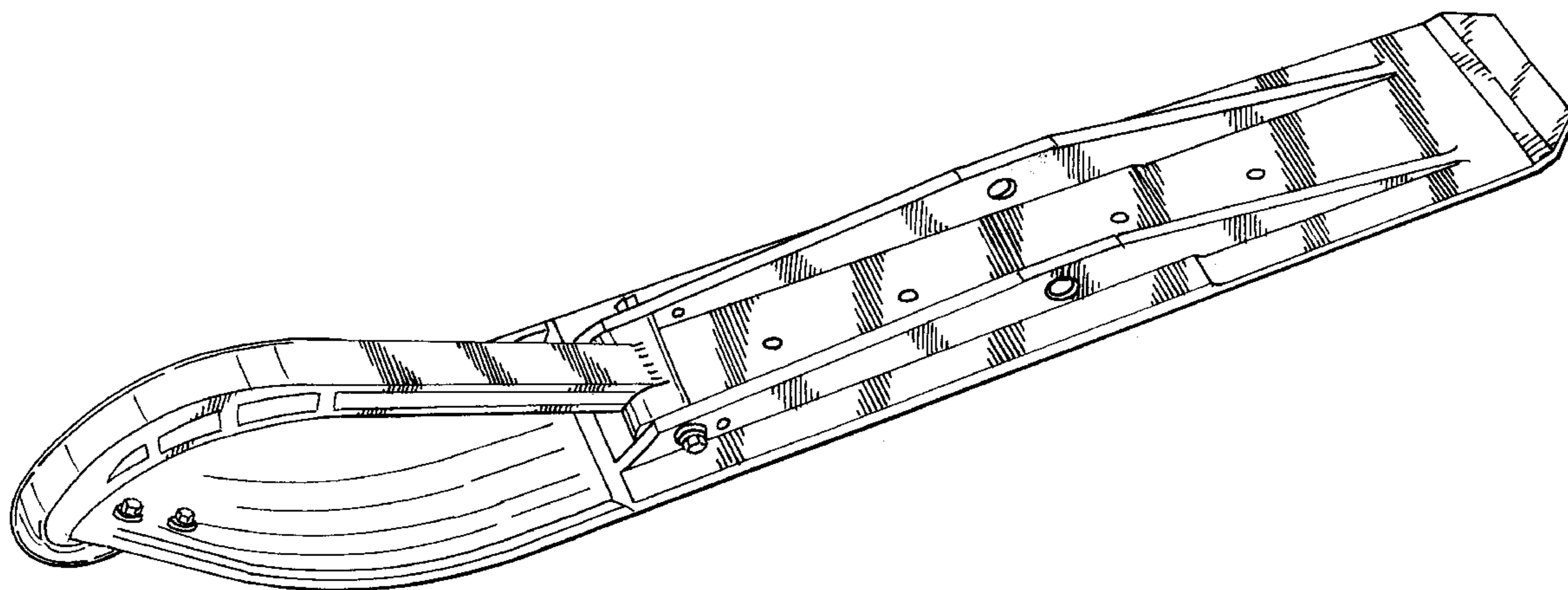
(57) **CLAIM**

The ornamental design of a combined snowmobile ski and handle, as shown and described.

DESCRIPTION

FIG. 1 is a perspective view of a combined snowmobile ski and handle of my new design;
 FIG. 2 is a top plan view thereof;
 FIG. 3 is a side elevational view thereof, the opposite side being a mirror image thereof;
 FIG. 4 is a bottom plan view thereof;
 FIG. 5 is an enlarged front elevational view thereof;
 FIG. 6 is an enlarged rear elevational view thereof;
 FIG. 7 is an enlarged side elevational, partly sectioned, of the front of the snowmobile ski and handle of FIG. 1;
 FIG. 8 is an enlarged sectional view taken along line 8—8 of FIG. 2;
 FIG. 9 is a perspective view of a modification of the combined snowmobile ski and handle of FIG. 1;
 FIG. 10 is a top plan view of FIG. 9;
 FIG. 11 is a side elevational view of FIG. 9, the opposite side being a mirror image thereof;
 FIG. 12 is a bottom plan view of FIG. 9;
 FIG. 13 is a front elevational view of FIG. 9;
 FIG. 14 is a rear elevational view of FIG. 9;
 FIG. 15 is an enlarged side elevational, partly sectioned, of the front of the snowmobile ski and handle of FIG. 9; and,
 FIG. 16 is a sectional view taken along line 16—16 of FIG. 10.

1 Claim, 8 Drawing Sheets



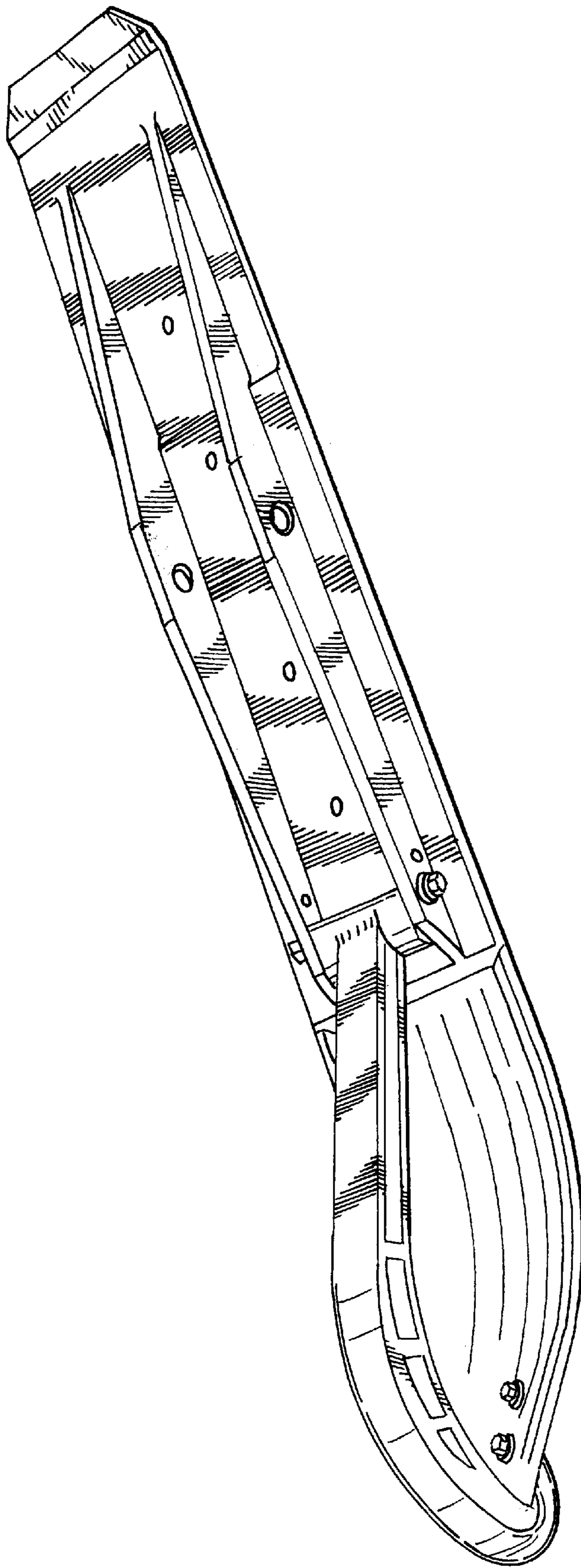
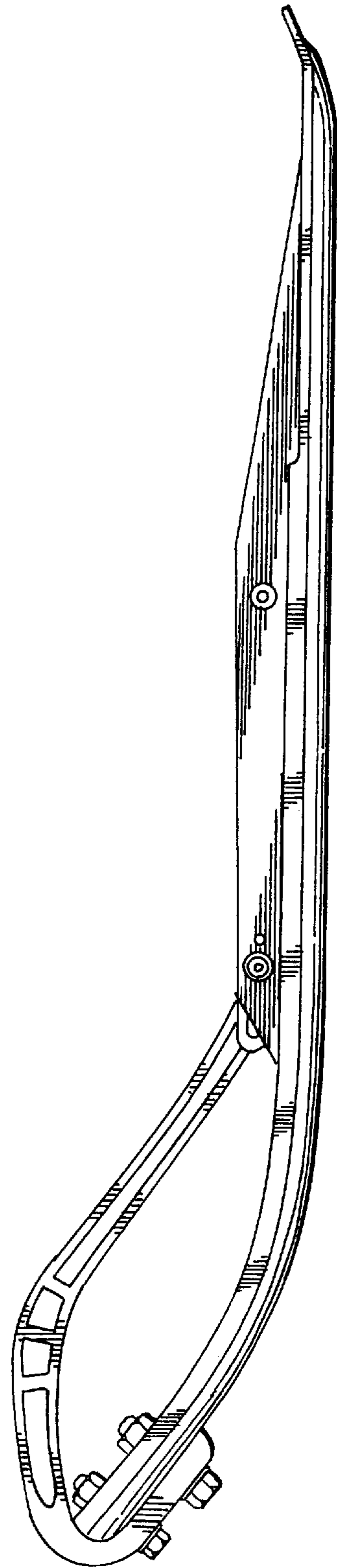
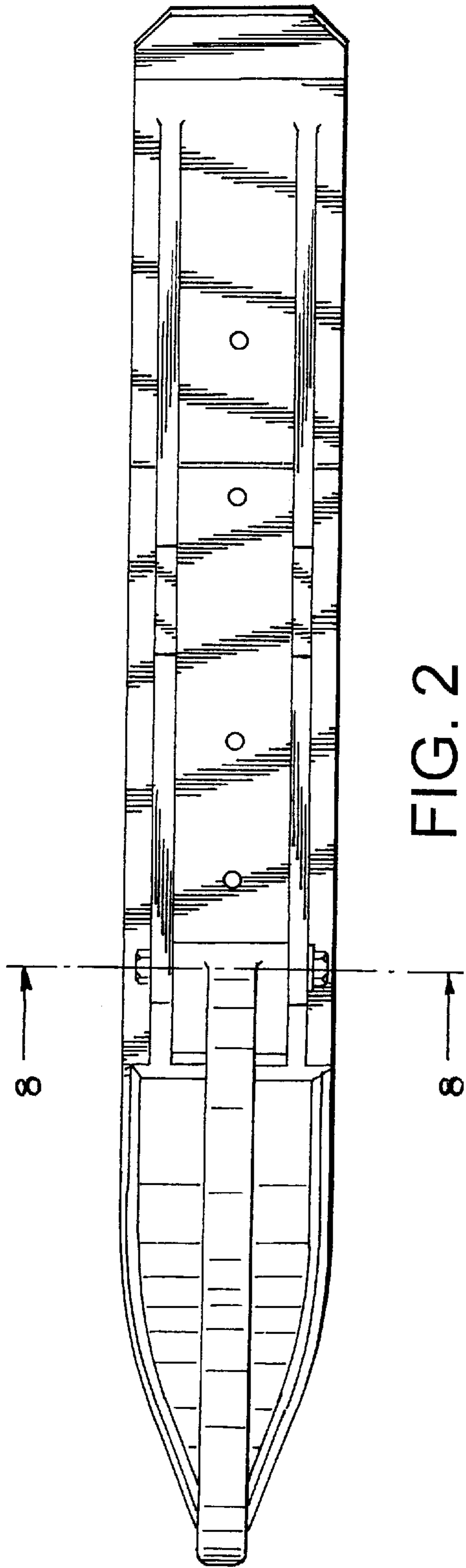


FIG. 1



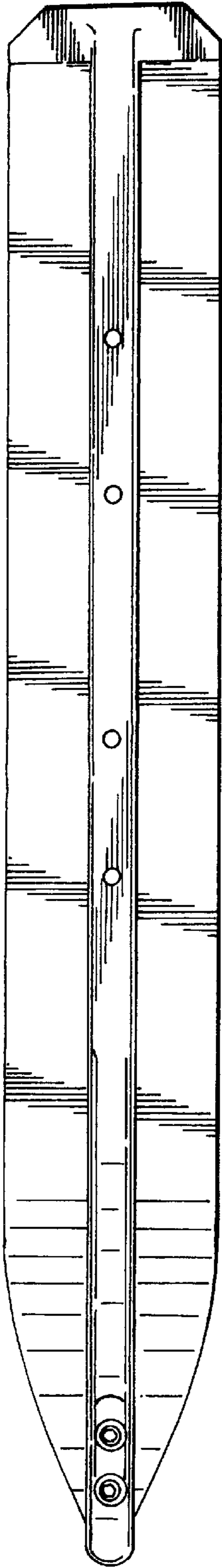


FIG. 4

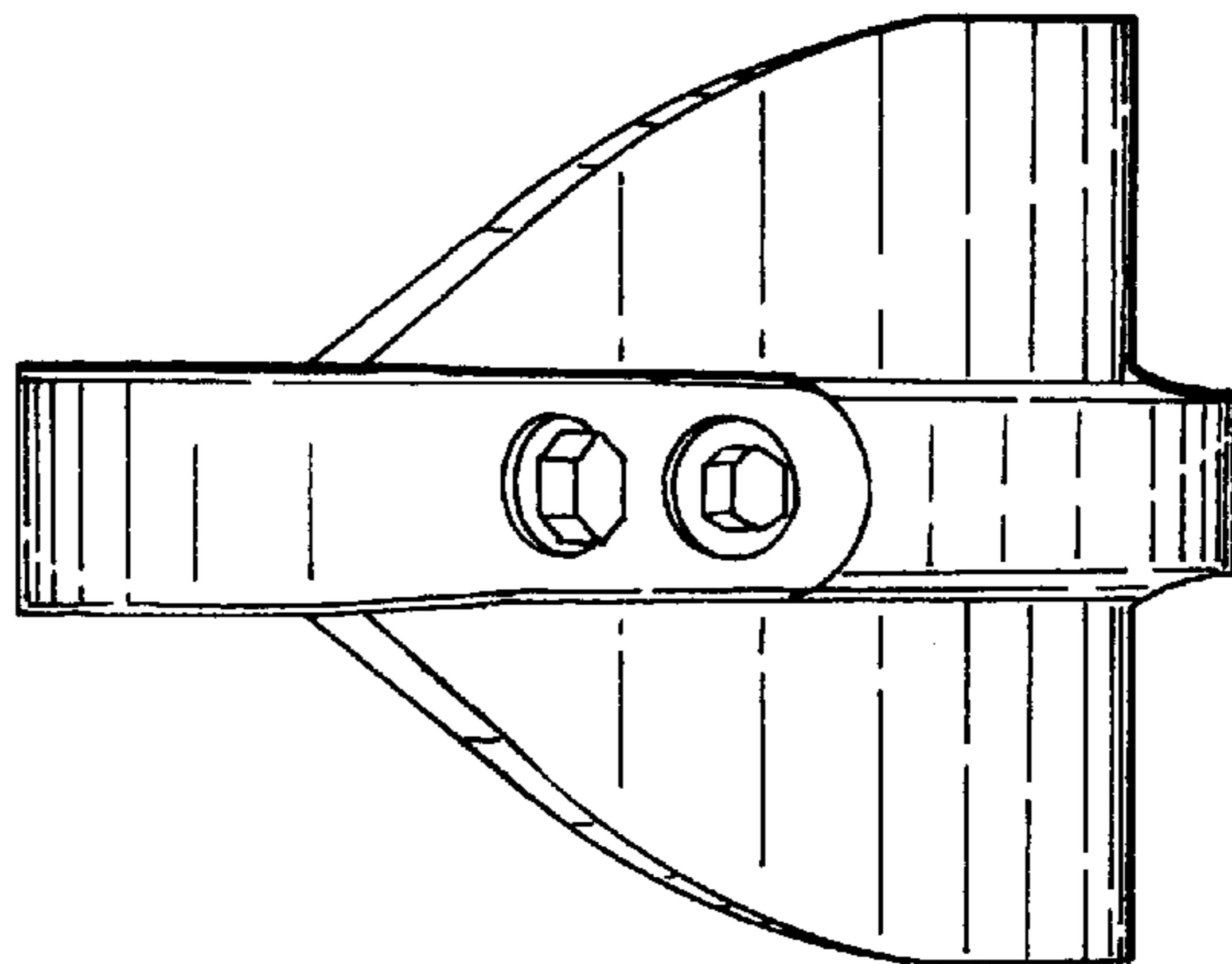


FIG. 5

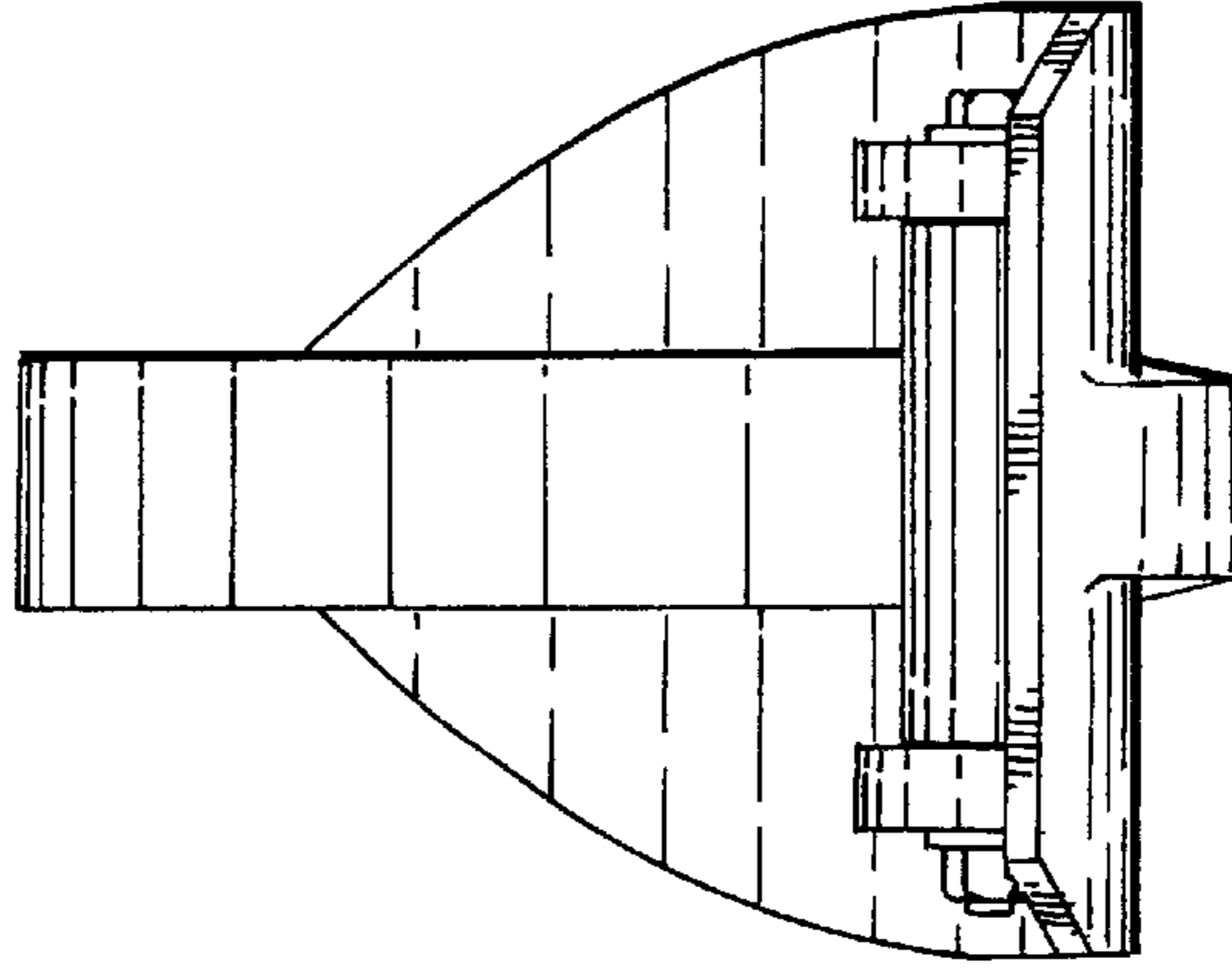


FIG. 6

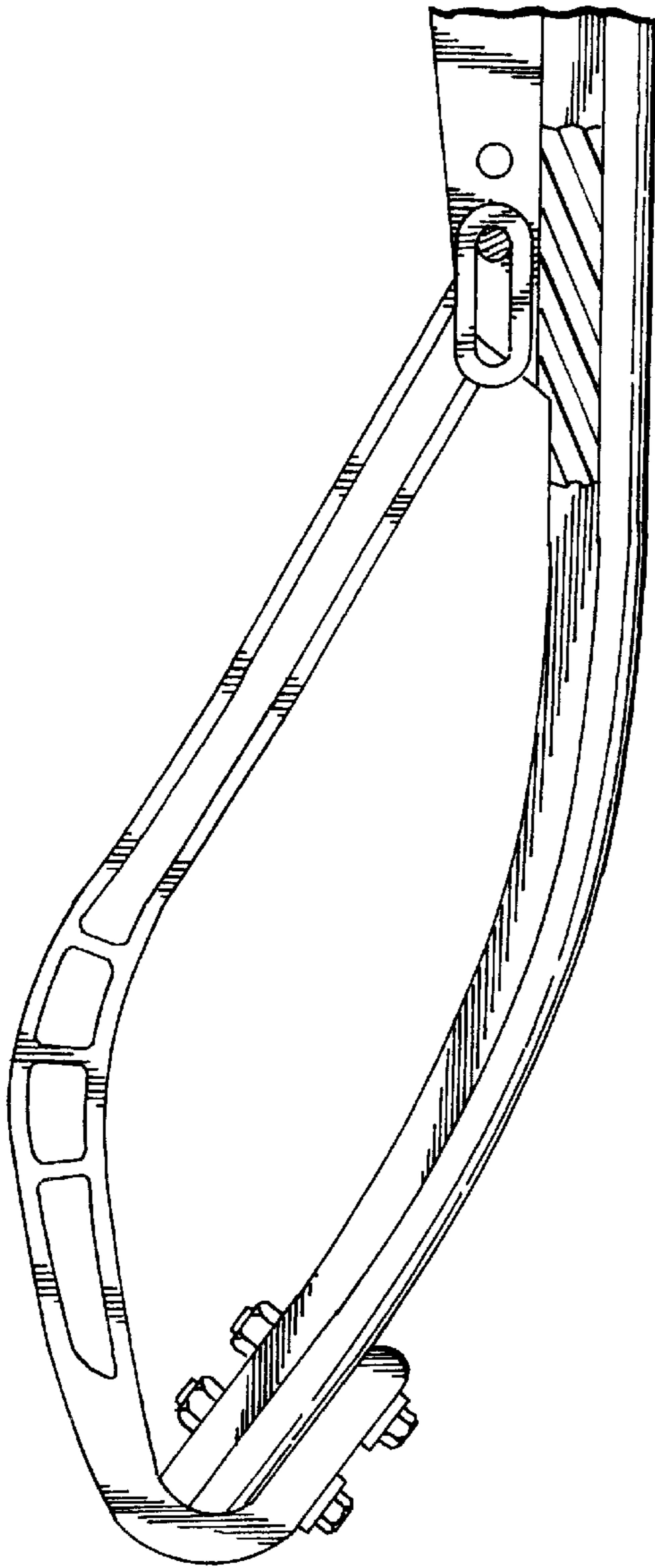


FIG. 7

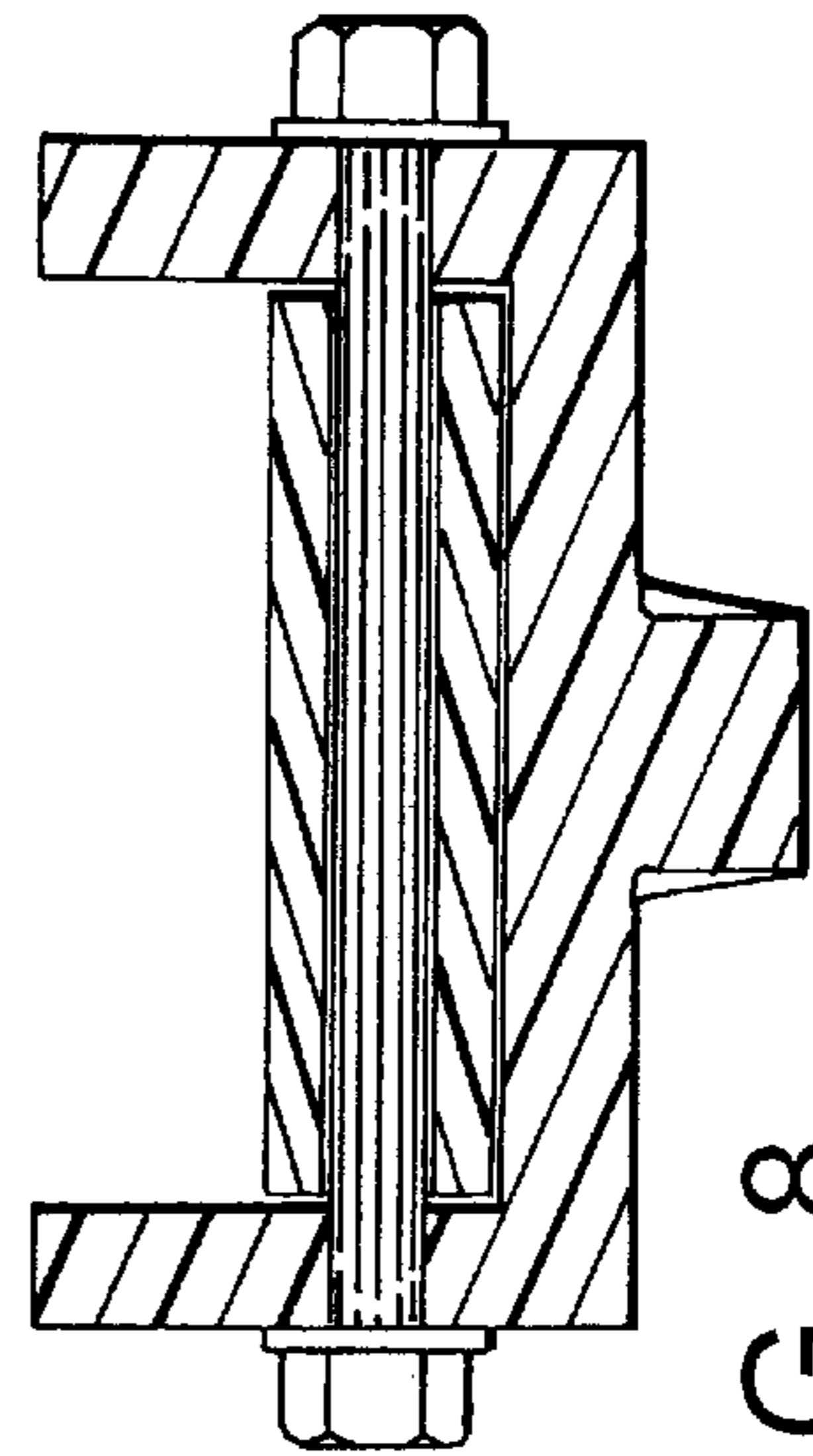


FIG. 8

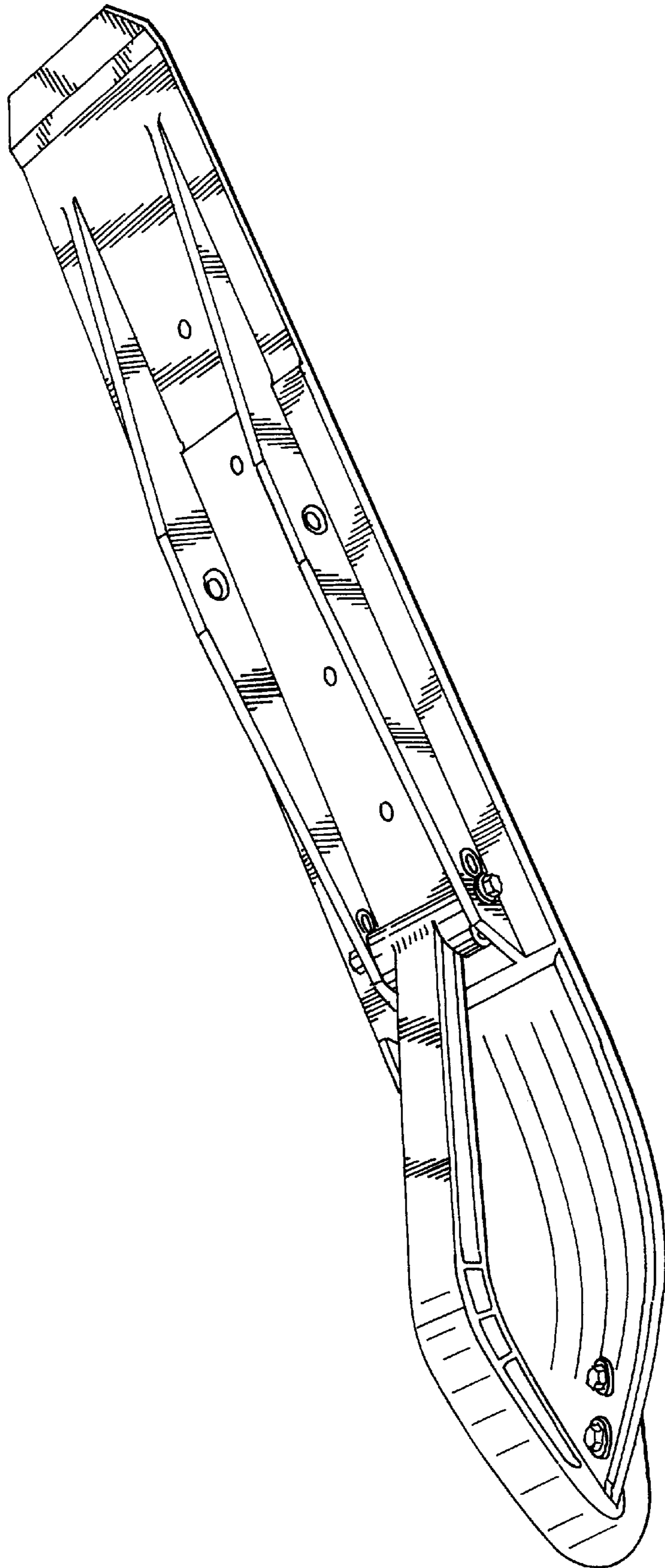
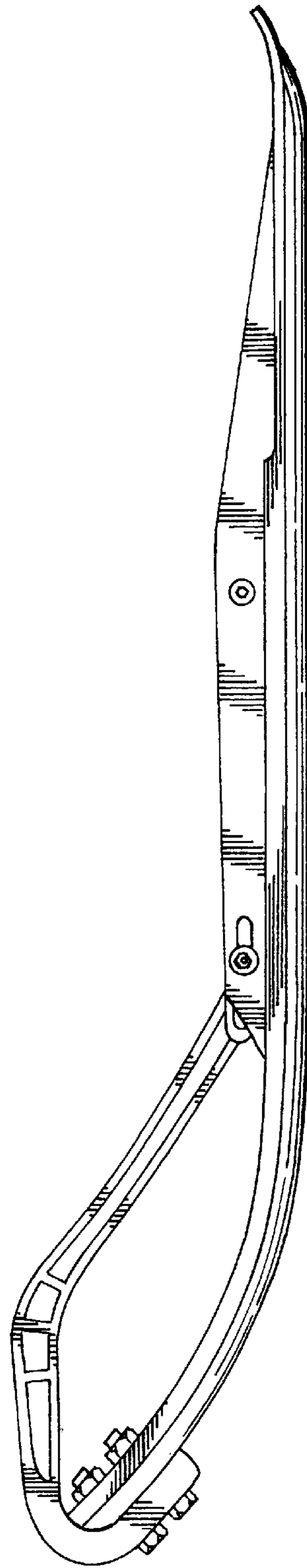
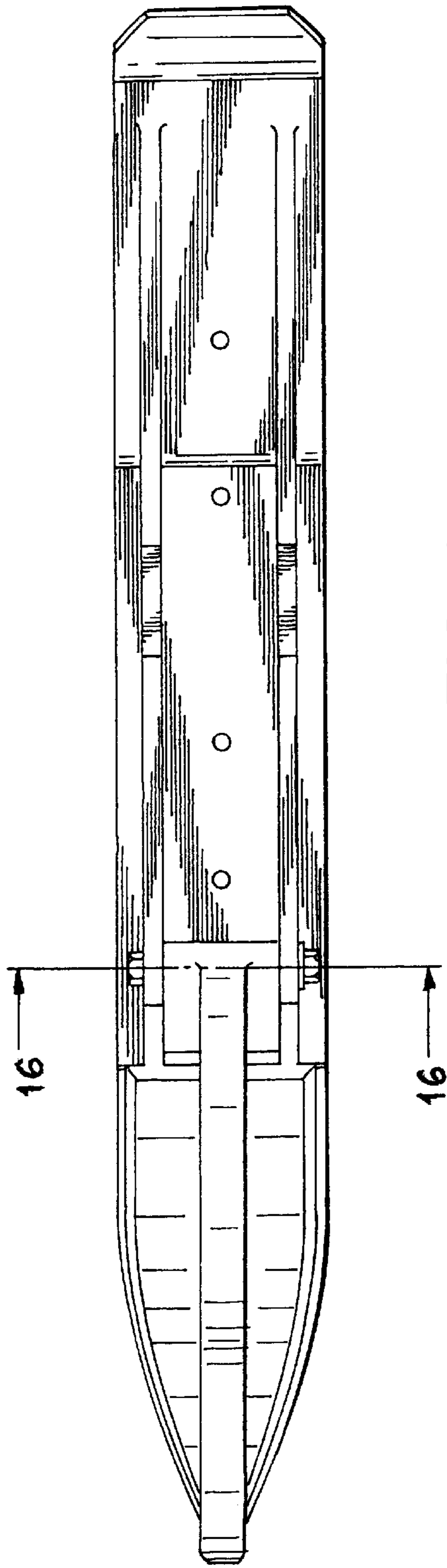


FIG. 9



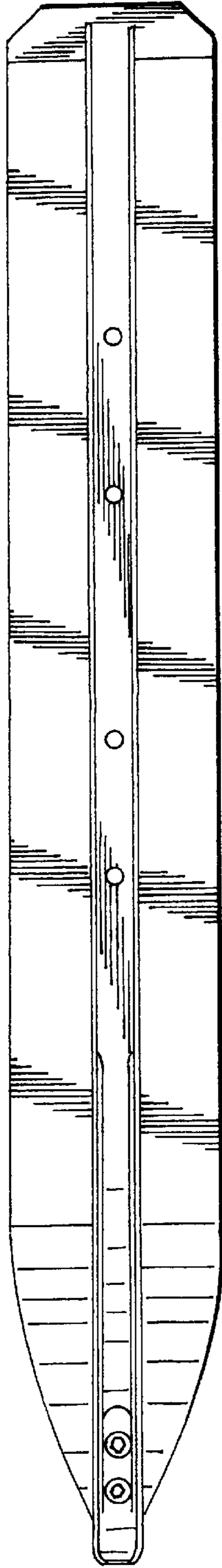


FIG. 12

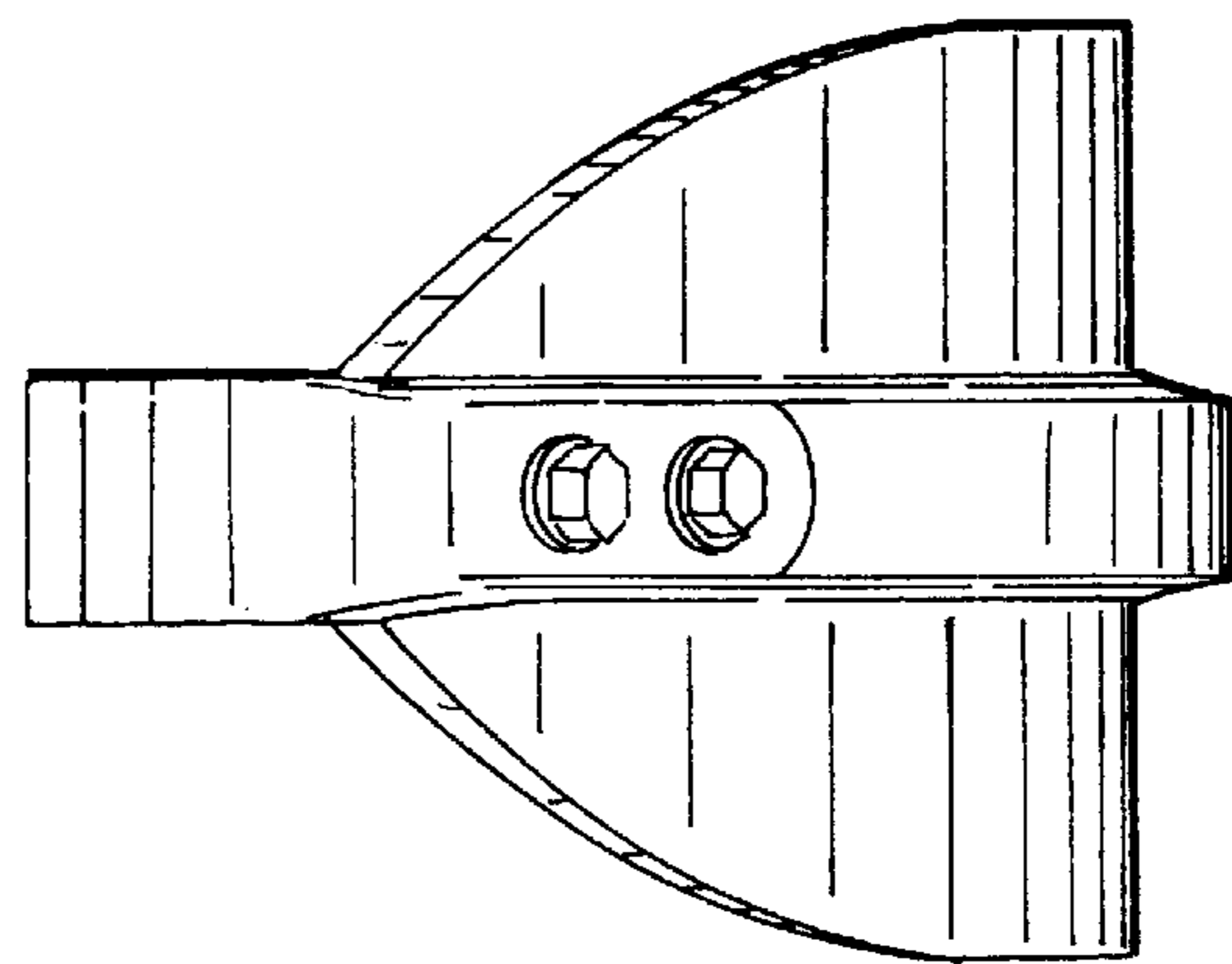


FIG. 13

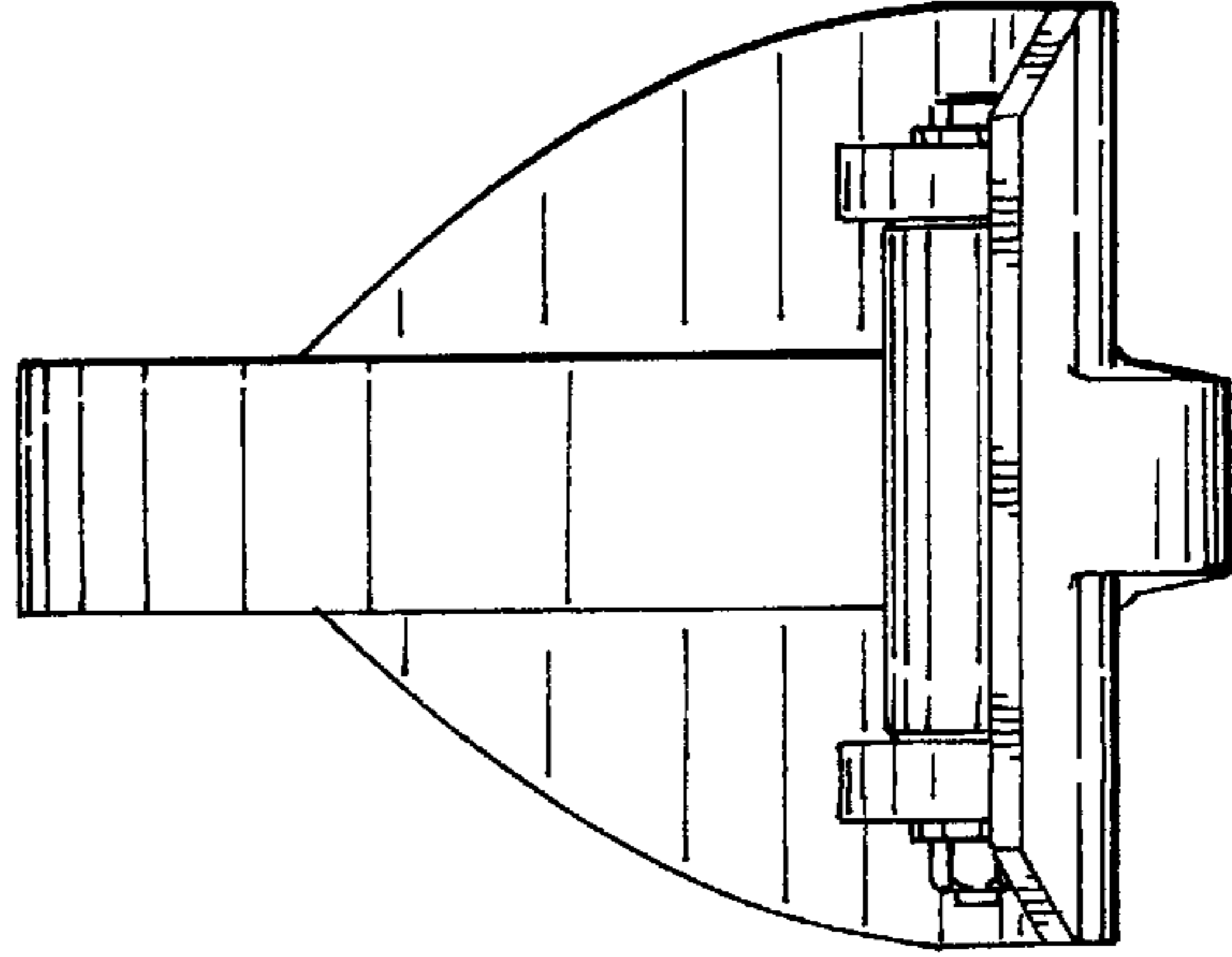


FIG. 14

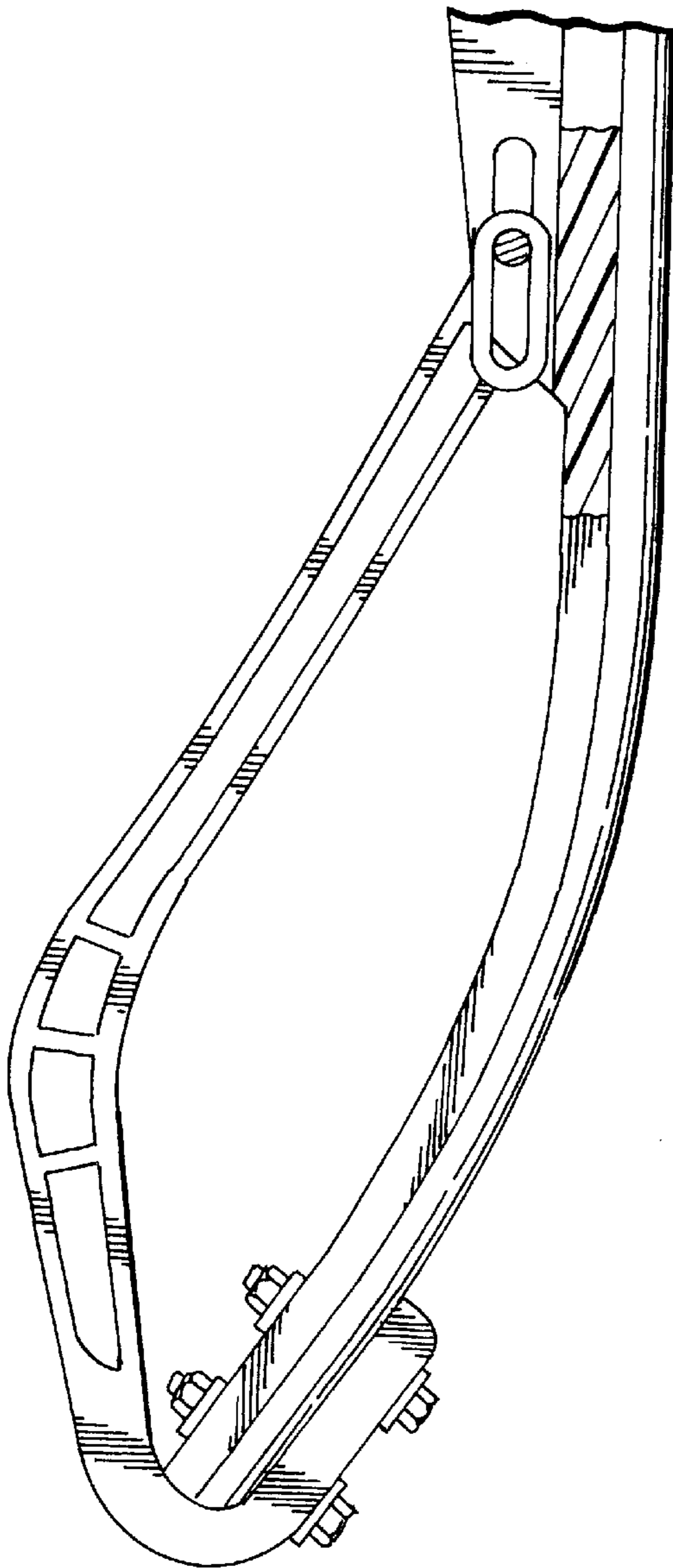


FIG. 15

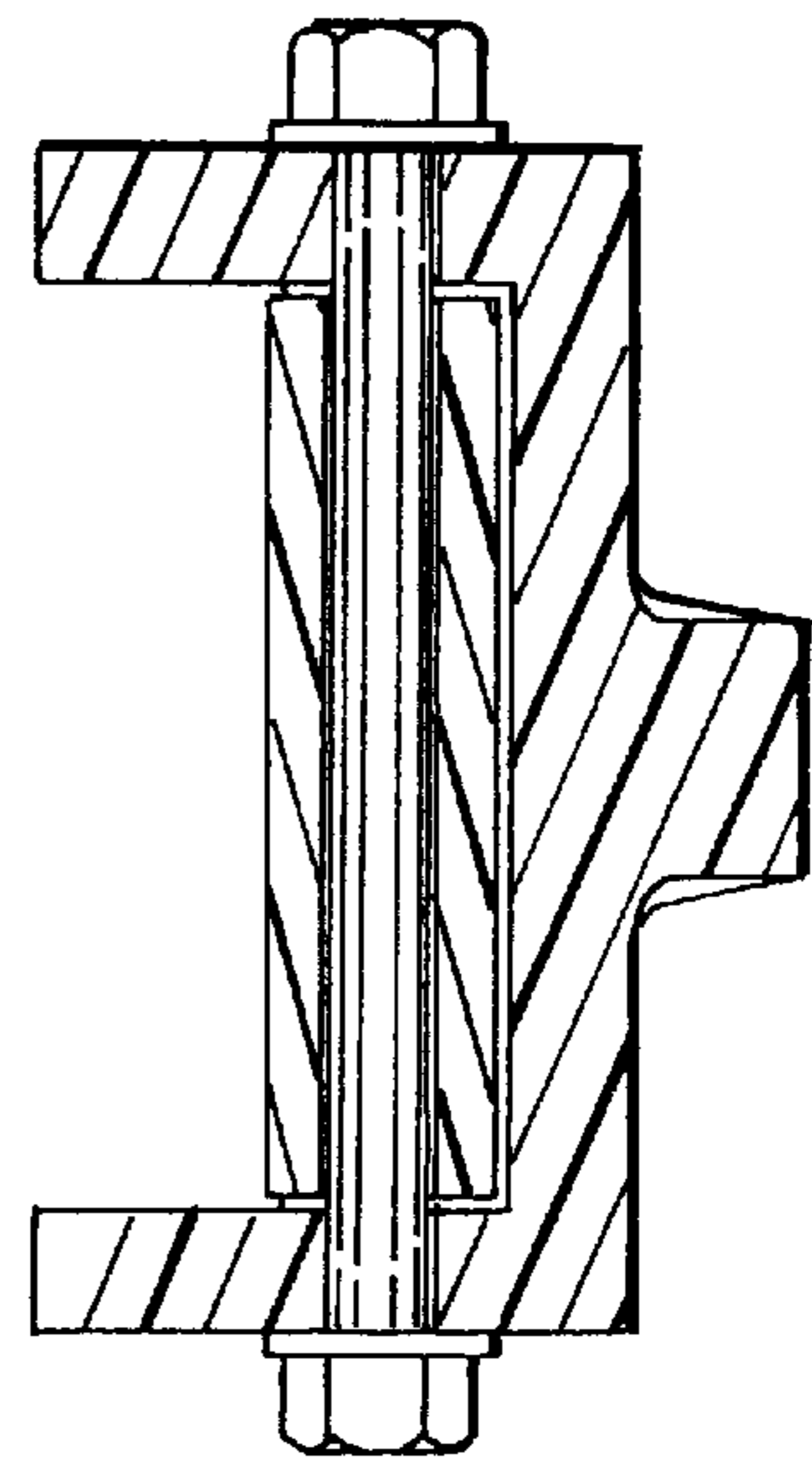


FIG. 16