



US00D478840S

(12) **United States Design Patent**  
**Gregory, Jr. et al.**

(10) **Patent No.:** **US D478,840 S**

(45) **Date of Patent:** **\*\* Aug. 26, 2003**

(54) **MODULAR SENSOR PLATFORM**

6,377,872 B1 \* 4/2002 Struckman ..... 700/258

(75) Inventors: **Richard R. Gregory, Jr.**, Mount Airy, MD (US); **Stuart Young**, Burke, VA (US)

\* cited by examiner

*Primary Examiner*—Nelson C. Holtje

(74) *Attorney, Agent, or Firm*—William V. Adams

(73) Assignee: **The United States of America as represented by the Secretary of the Army**, Washington, DC (US)

(57) **CLAIM**

An ornamental design for a modular sensor platform, as shown.

(\*\*) Term: **14 Years**

**DESCRIPTION**

(21) Appl. No.: **29/154,703**

The invention described herein may be manufactured, used and/or licensed by or for the United States Government.

(22) Filed: **Jan. 30, 2002**

(51) **LOC (7) Cl.** ..... **12-13**

(52) **U.S. Cl.** ..... **D12/1**

(58) **Field of Search** ..... D12/1-3, 12; 180/345, 180/347, 6.5, 6.62, 8.2, 9.32; 280/474; 318/568; 348/47, 144; 324/326, 245; 246/166; 700/245, 258; 250/253, 515.1; D21/580-582, 533, 539

FIG. 1 is as top plan view of the modular sensor platform showing the first embodiment of our new design;

FIG. 2 is a right side elevational view thereof;

FIG. 3 is a rear elevational view thereof;

FIG. 4 is a right side elevational view thereof with the top cover in the open position;

FIG. 5 is a right side elevational view thereof with whole top housing in the raised position;

FIG. 6 is a front elevational view thereof;

FIG. 7 is a bottom plan view thereof;

FIG. 8 is a top plan view of a second embodiment of our new design of FIGS. 1-7;

FIG. 9 is a top and right-front perspective view thereof;

FIG. 10 is a left side elevational view thereof;

FIG. 11 is a front elevational view thereof;

FIG. 12 is a right side elevational view thereof; and,

FIG. 13 is a rear elevational view thereof.

The broken line showings are for illustrative purposes only and form no part of the claimed design.

(56) **References Cited**

**U.S. PATENT DOCUMENTS**

4,729,444	A	*	3/1988	Tubman	.....	180/9.22
5,070,954	A	*	12/1991	Miyashita et al.	.....	180/6.62
5,286,973	A	*	2/1994	Westrom et al.	.....	250/253
5,429,329	A	*	7/1995	Wallace et al.	.....	246/166
5,473,364	A	*	12/1995	Burt	.....	348/47
5,623,244	A	*	4/1997	Cooper	.....	340/425.5
5,862,874	A	*	1/1999	Brienza et al.	.....	180/6.5
5,942,899	A	*	8/1999	Shrekenhamer et al.	....	324/326
6,046,565	A	*	4/2000	Thorne	.....	318/587
6,343,534	B1	*	2/2002	Khanna et al.	.....	89/1.13

**1 Claim, 8 Drawing Sheets**

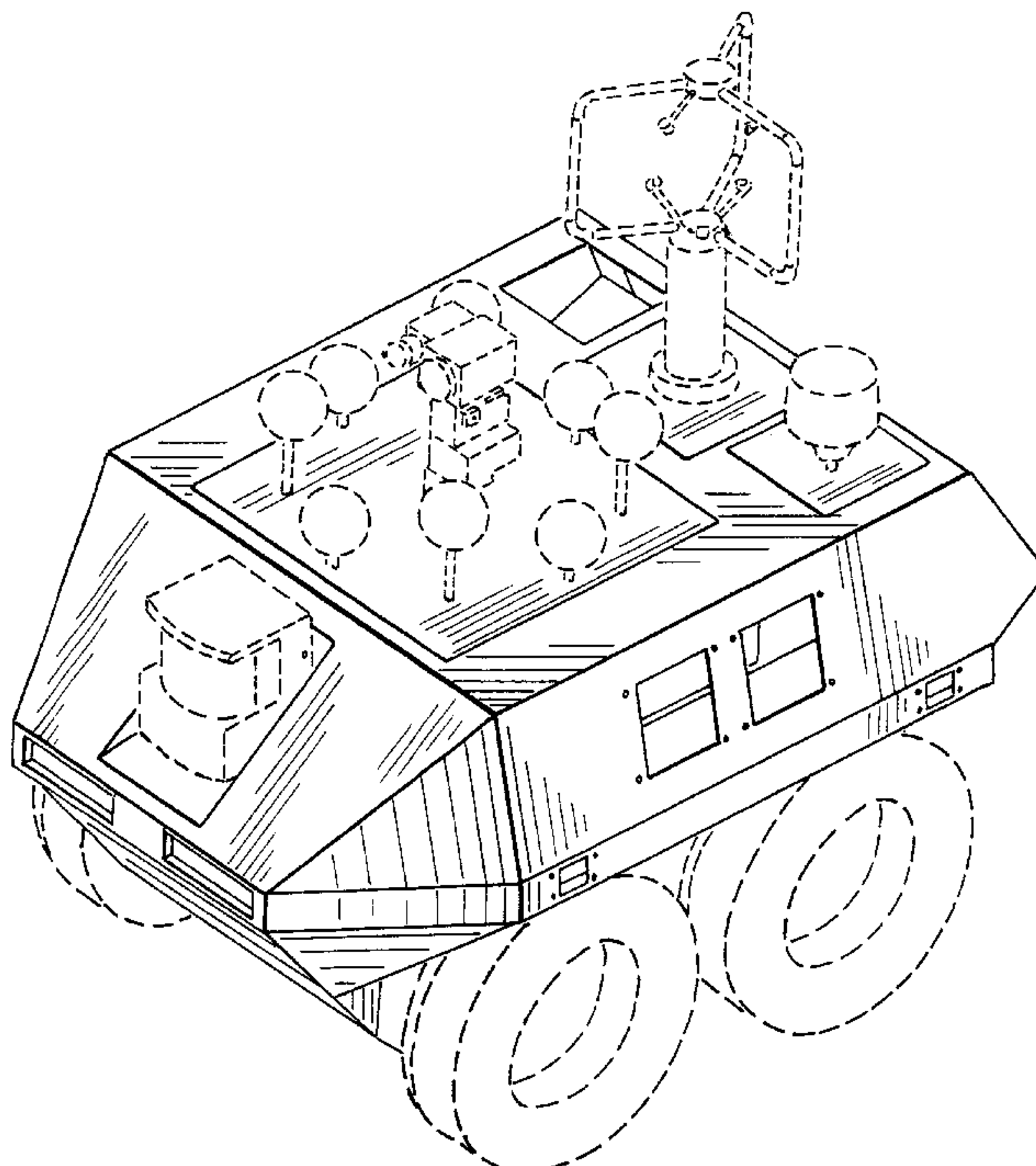
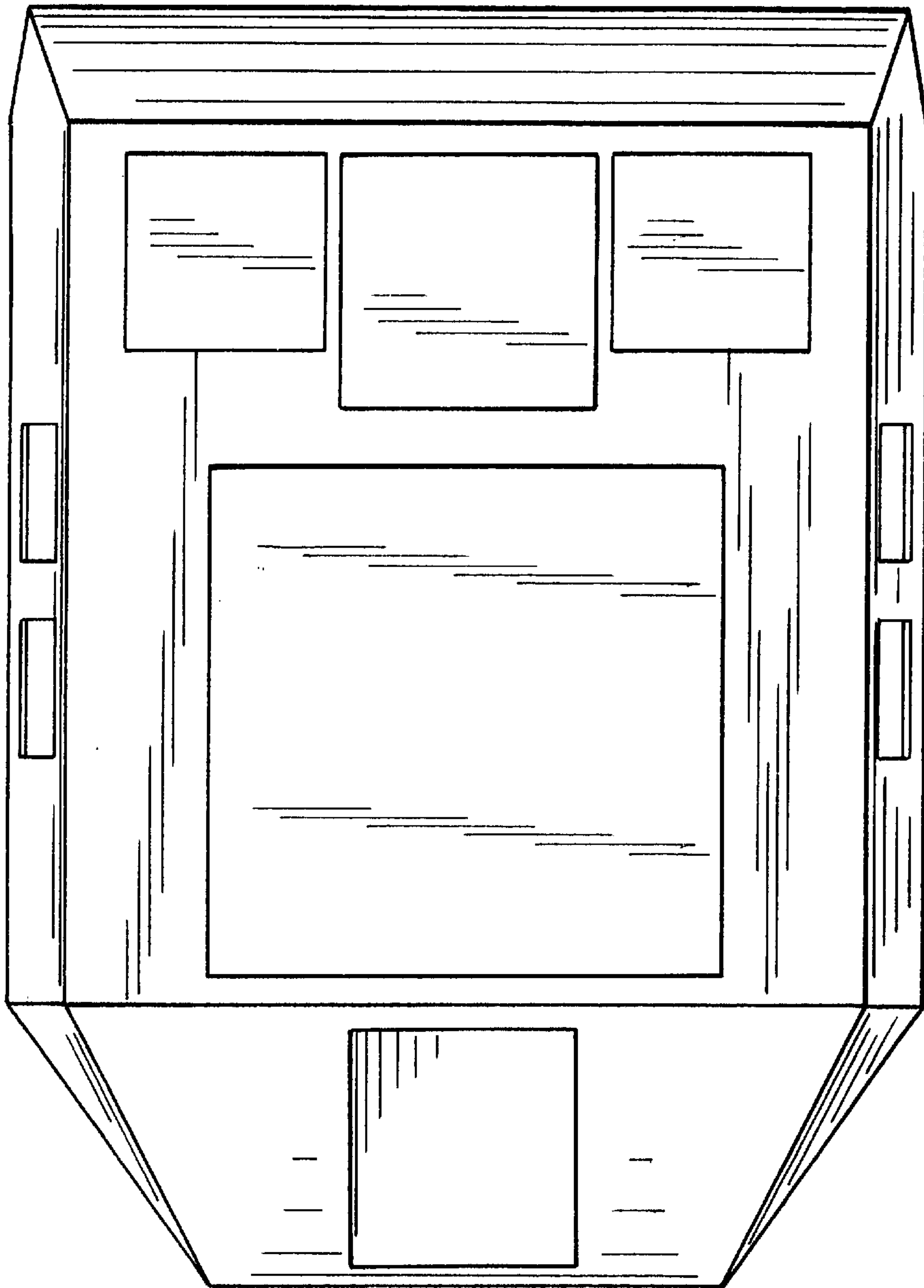


Fig.1



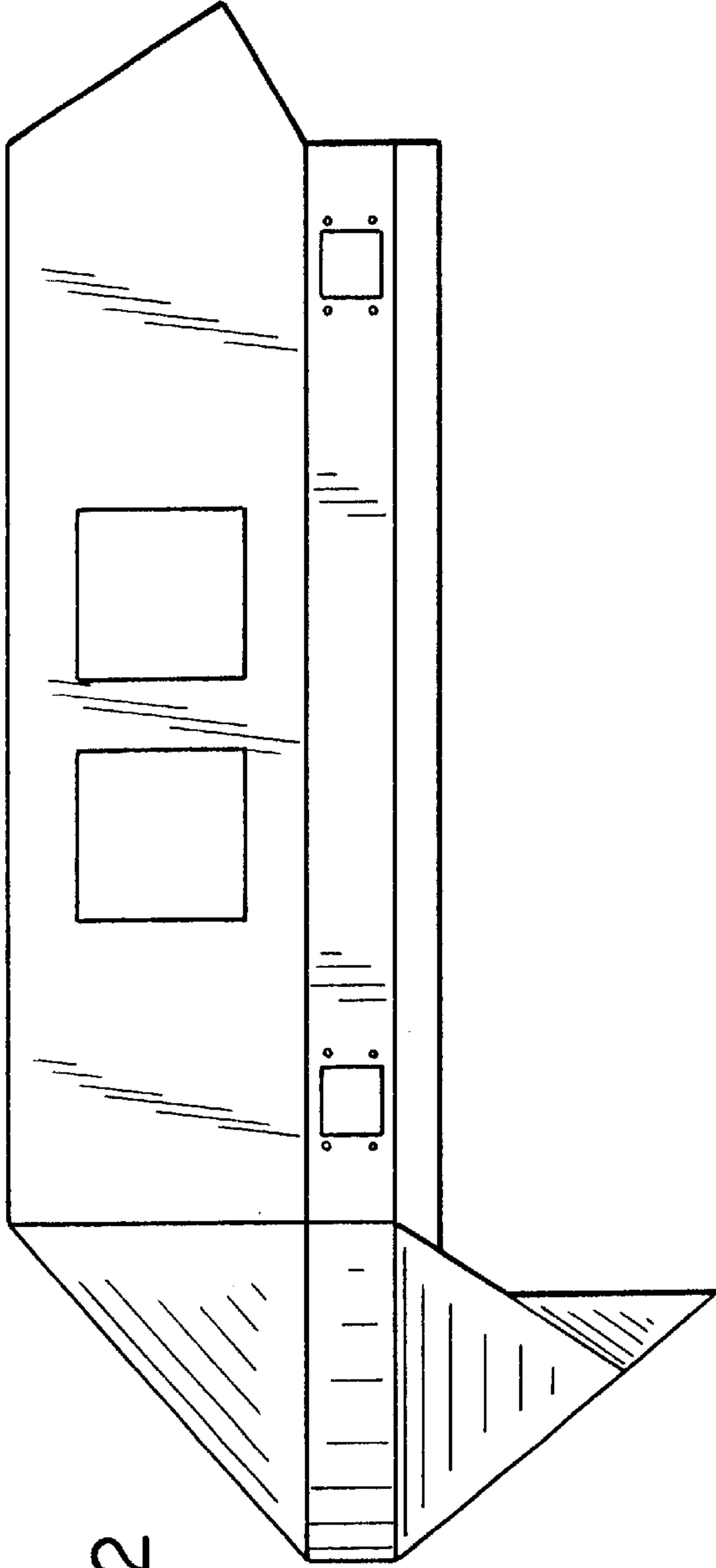


Fig. 2

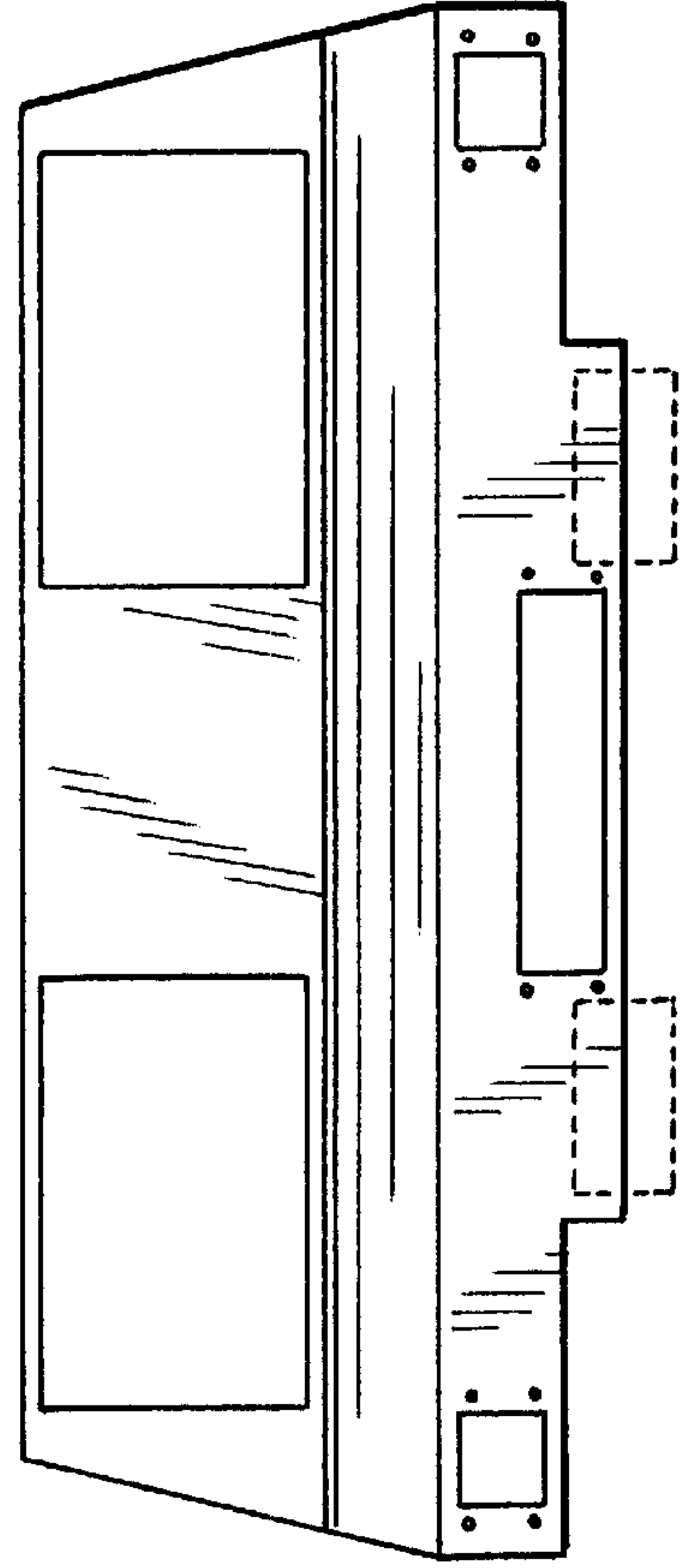


Fig. 3

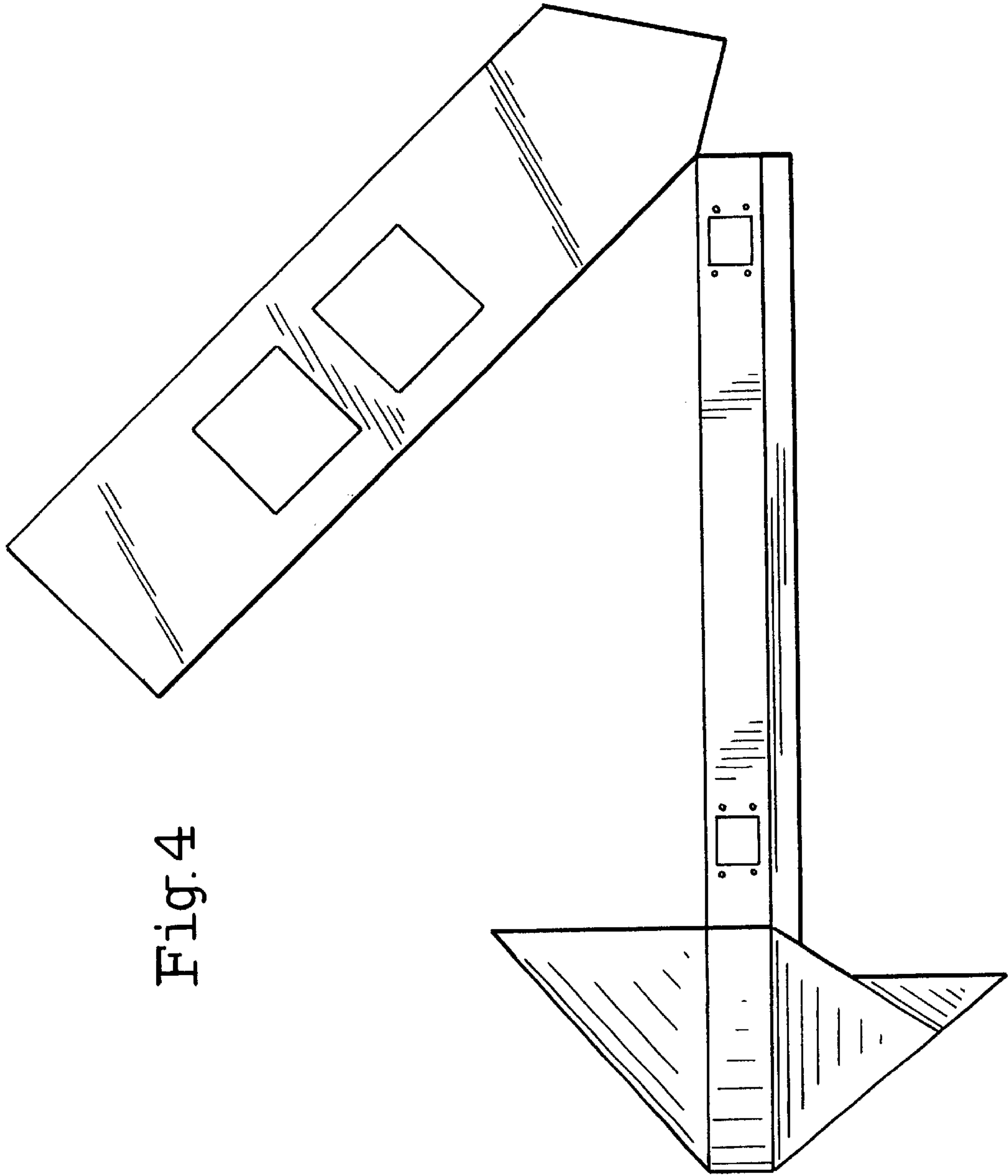


Fig. 4

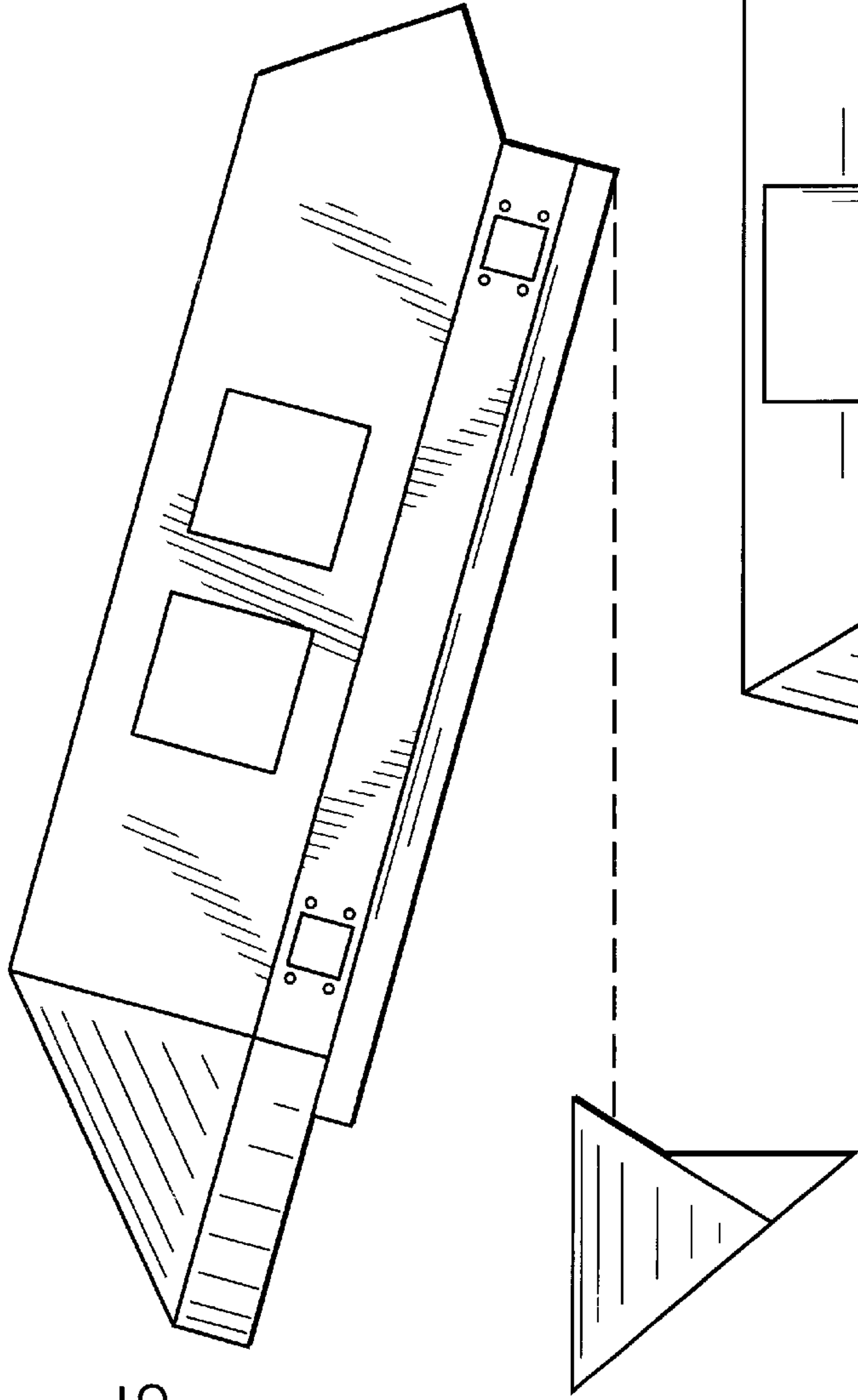


Fig. 5

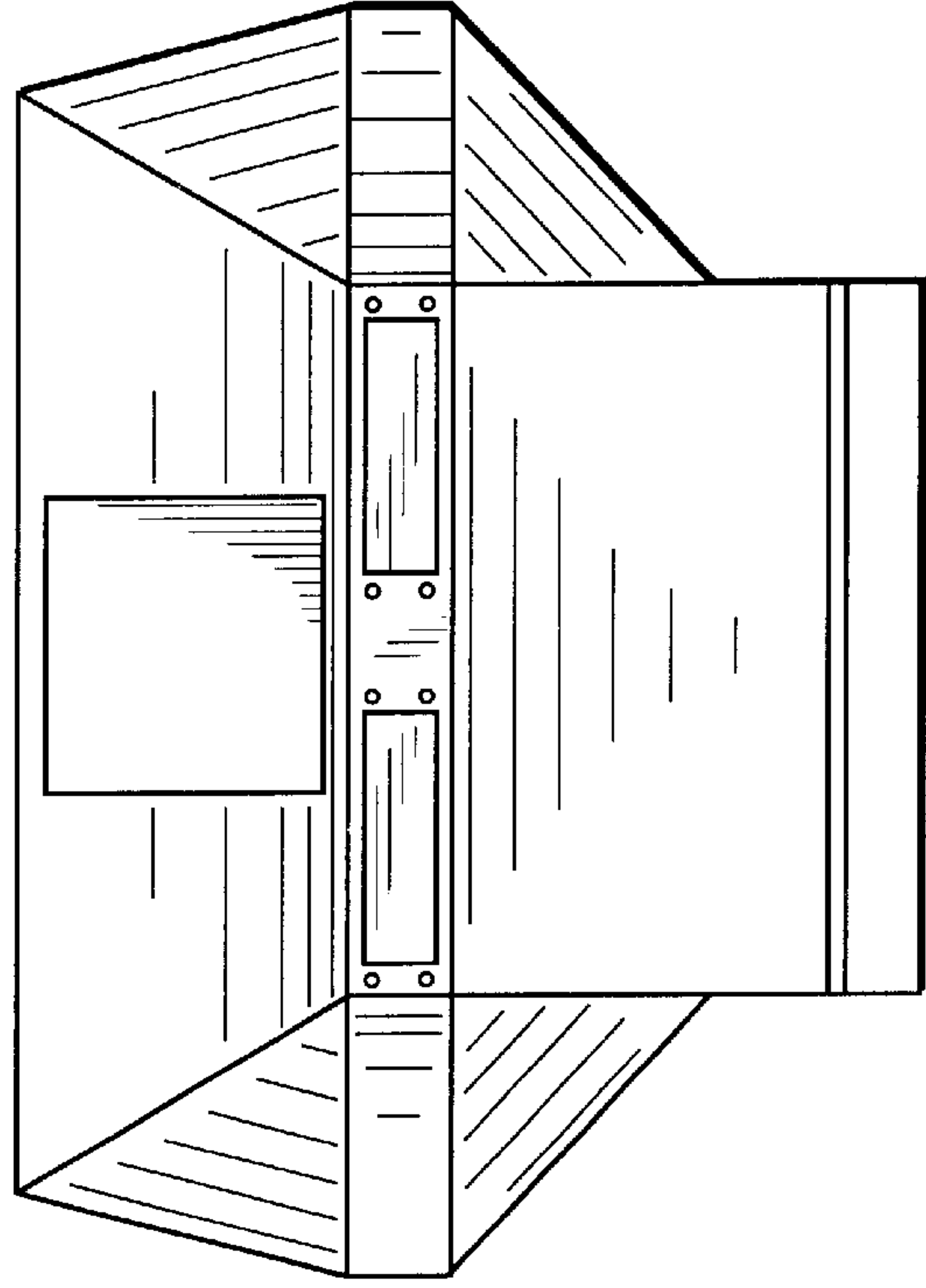


Fig. 6



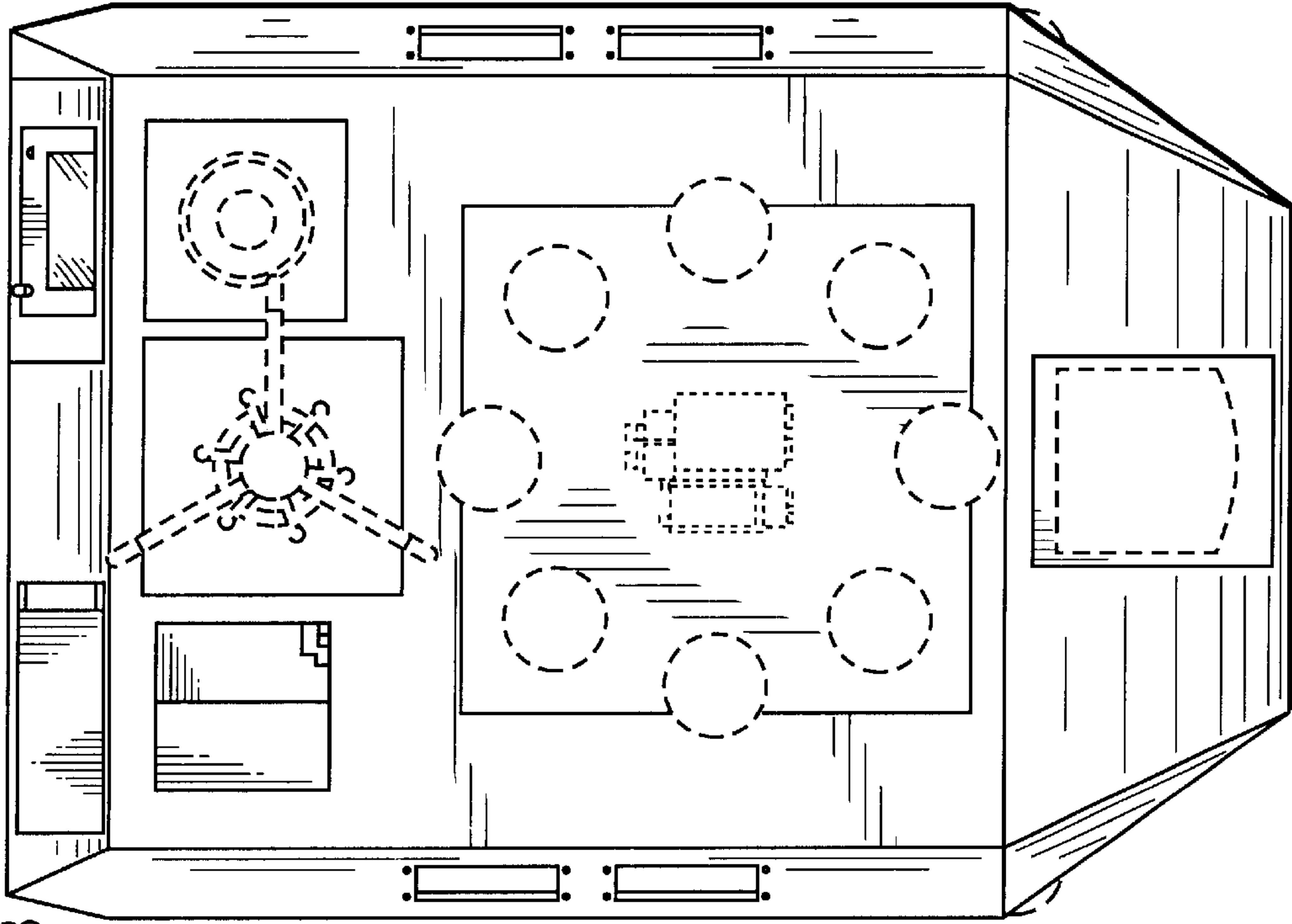


Fig. 8

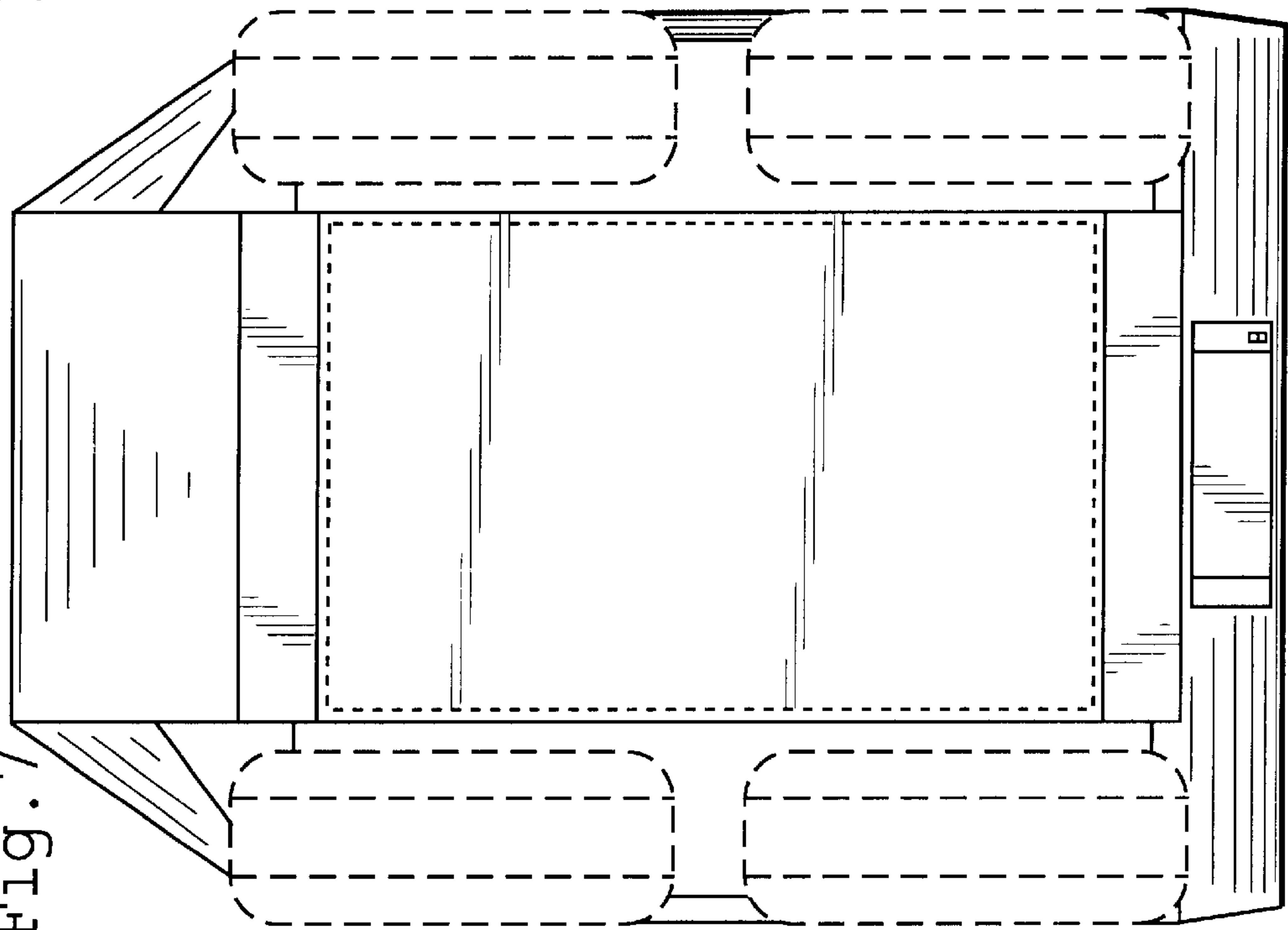


Fig. 7

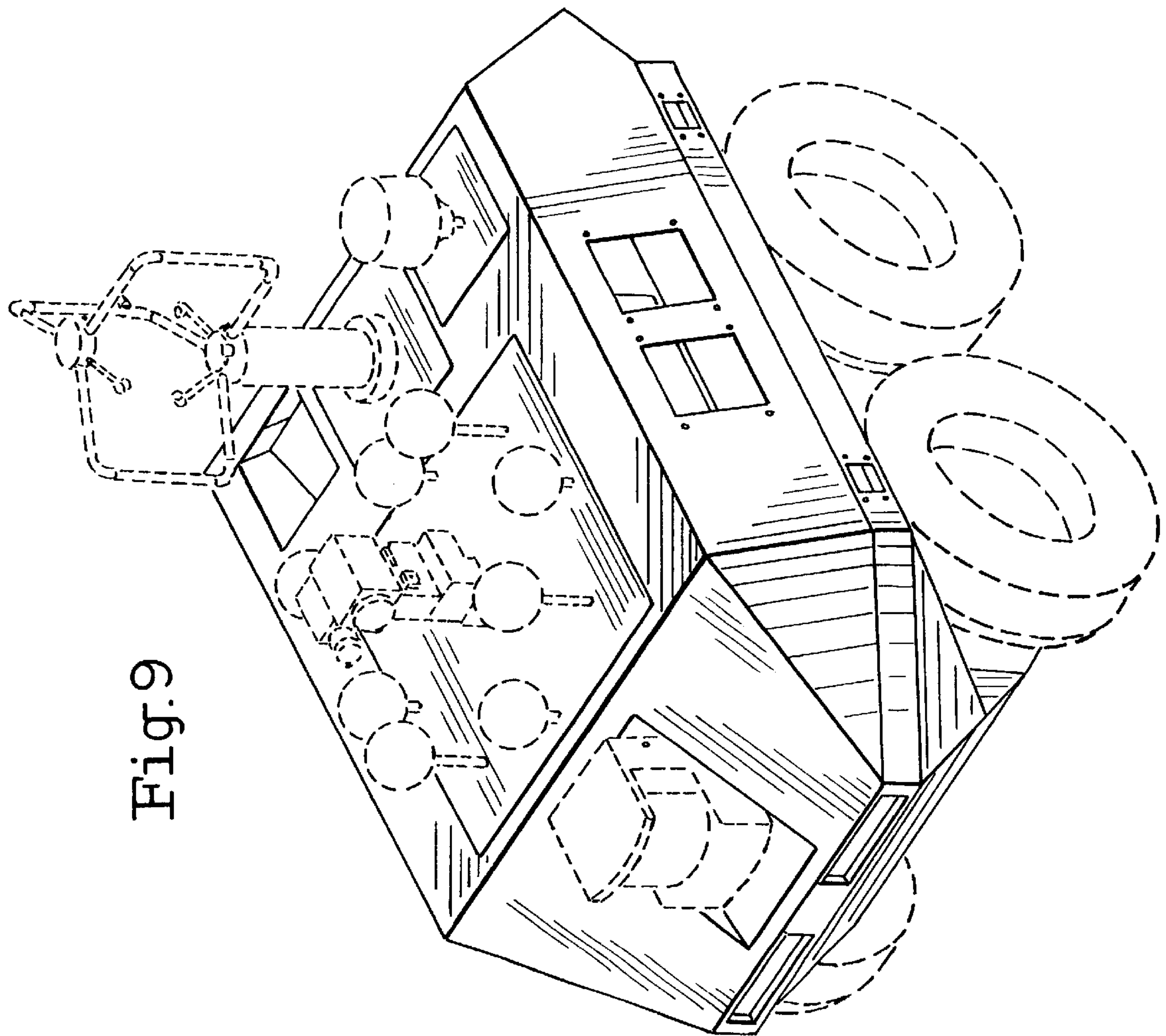


Fig. 9

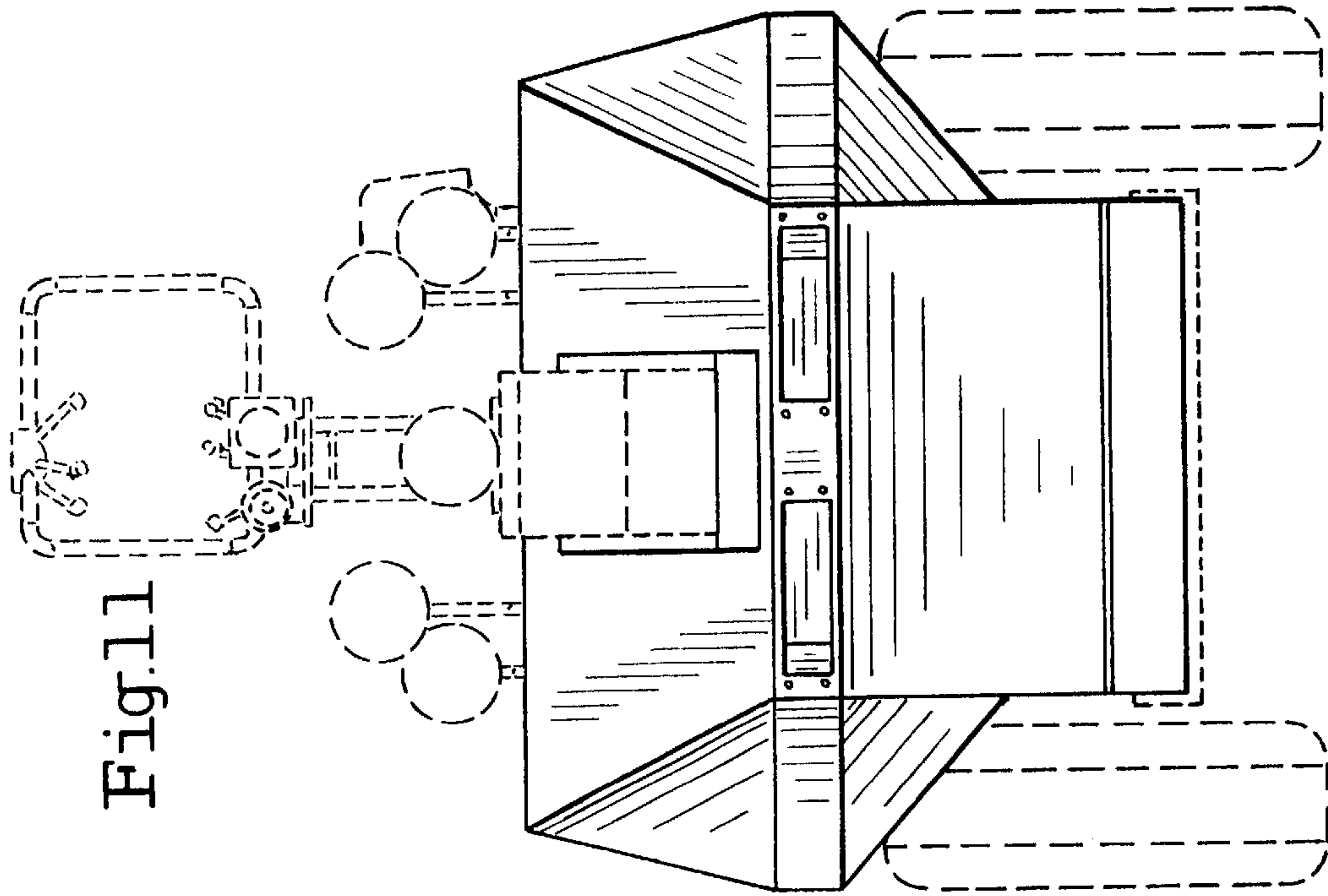


Fig.11

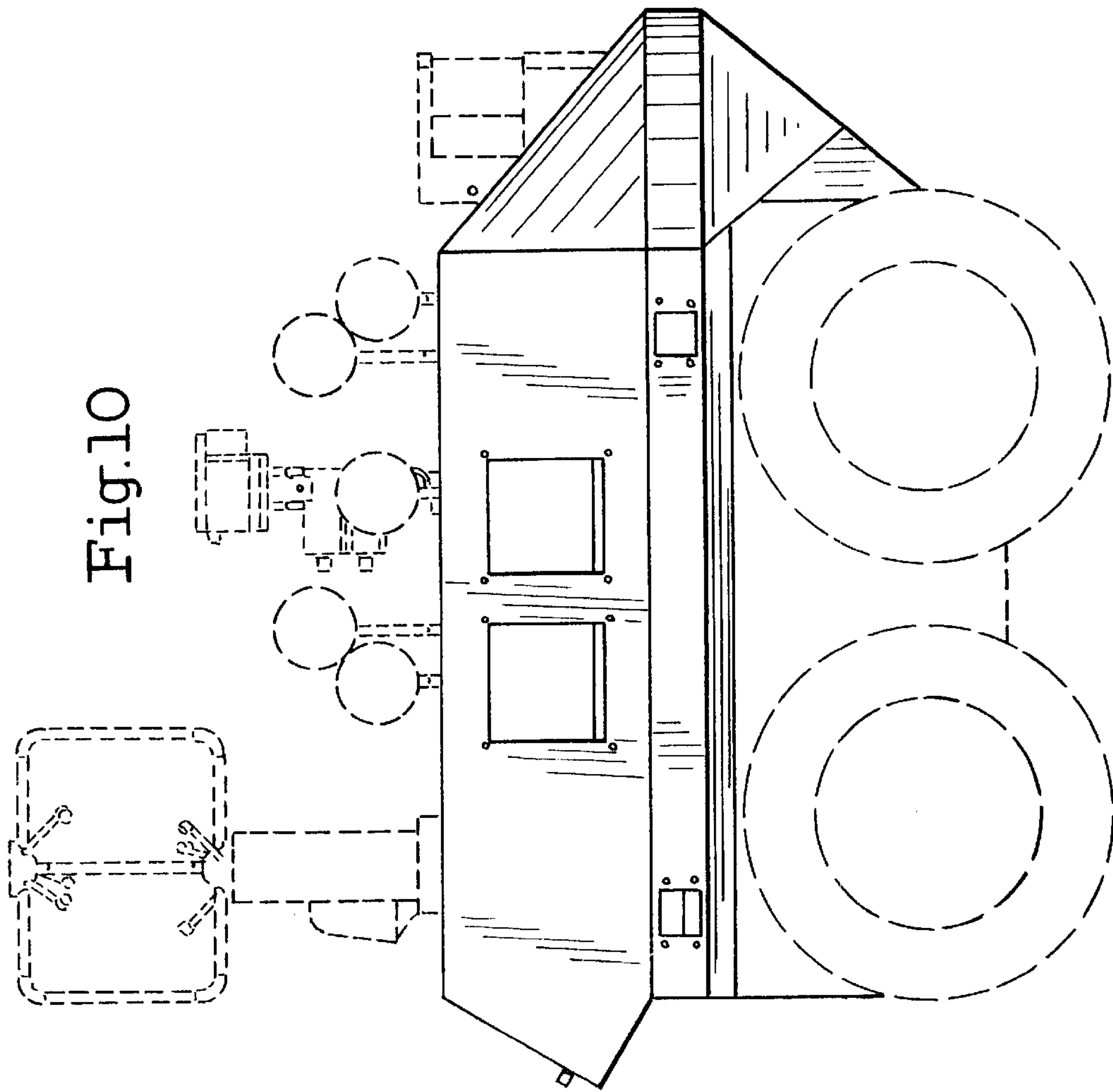


Fig.10



