



US00D478834S

(12) **United States Design Patent**
Baarman et al.

(10) **Patent No.:** **US D478,834 S**

(45) **Date of Patent:** **** Aug. 26, 2003**

(54) **CHIME**

5,744,736 A * 4/1998 Chang 84/402
D404,671 S * 1/1999 Stannard D10/116

(75) Inventors: **David W. Baarman**, Fennville, MI (US); **Stephen J. McPhilliamy**, Chicago, IL (US); **Christopher B. Houghton**, Chicago, IL (US)

* cited by examiner

Primary Examiner—Antoine Duval Davis
(74) *Attorney, Agent, or Firm*—Warner Norcross & Judd LLP

(73) Assignee: **Access Business Group International LLC**, Ada, MI (US)

(57) **CLAIM**

(**) Term: **14 Years**

The ornamental design for chime, as shown and described.

(21) Appl. No.: **29/165,011**

DESCRIPTION

(22) Filed: **Aug. 2, 2002**

FIG. 1 is a perspective view of the chime embodying the new design;

(51) **LOC (7) Cl.** **10-05**

(52) **U.S. Cl.** **D10/116**

FIG. 2 is a front elevational view thereof, the rear elevational view being identical thereto;

(58) **Field of Search** D10/116; 84/402-405, 84/410; 116/141, 148, 150, 155, 156

FIG. 3 is a right side elevational view thereof, the left side elevational view being identical thereto;

(56) **References Cited**

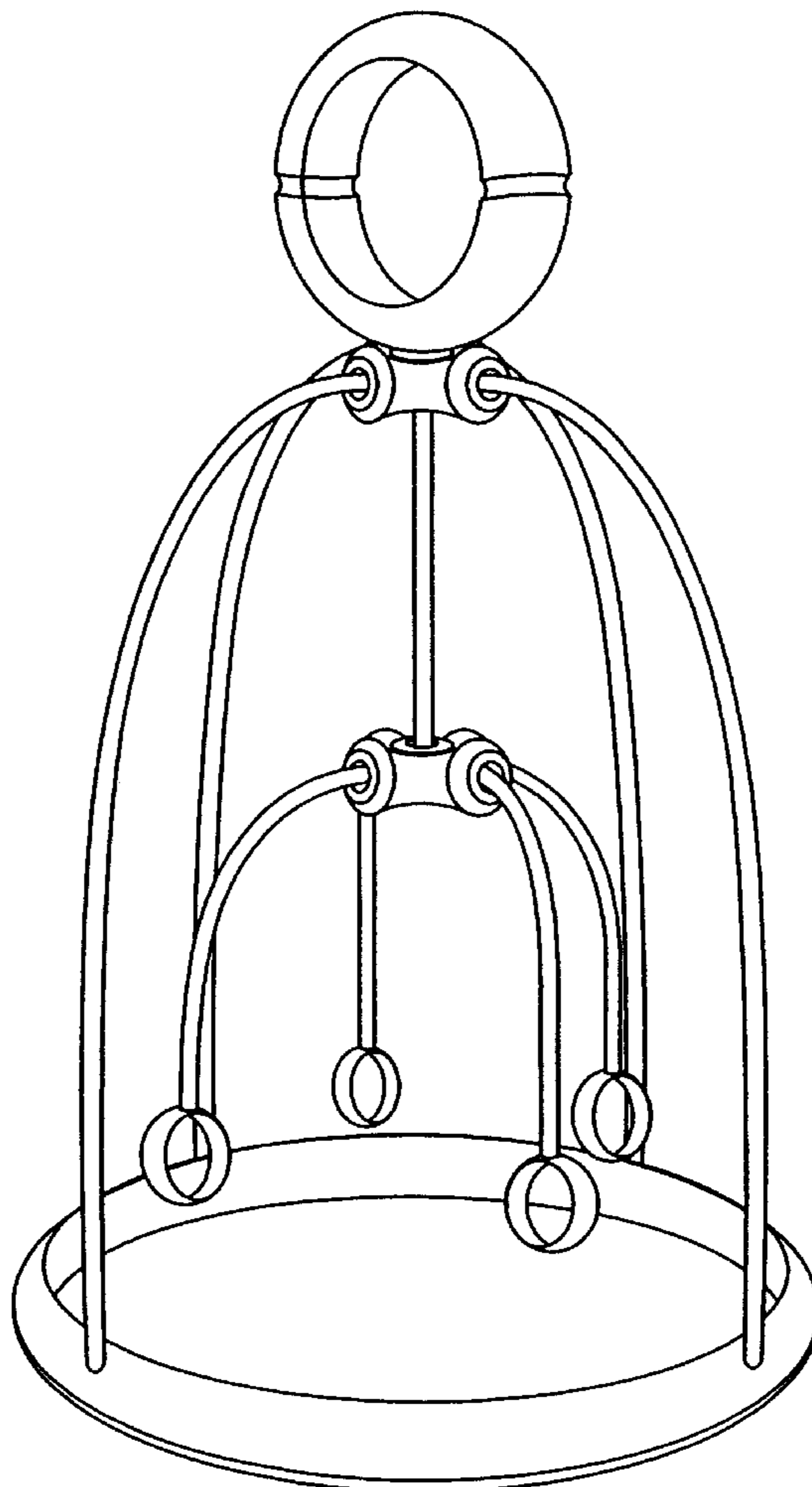
FIG. 4 is a top plan view thereof; and,

FIG. 5 is a bottom plan view thereof.

U.S. PATENT DOCUMENTS

5,402,700 A * 4/1995 Cohen 84/404

1 Claim, 5 Drawing Sheets



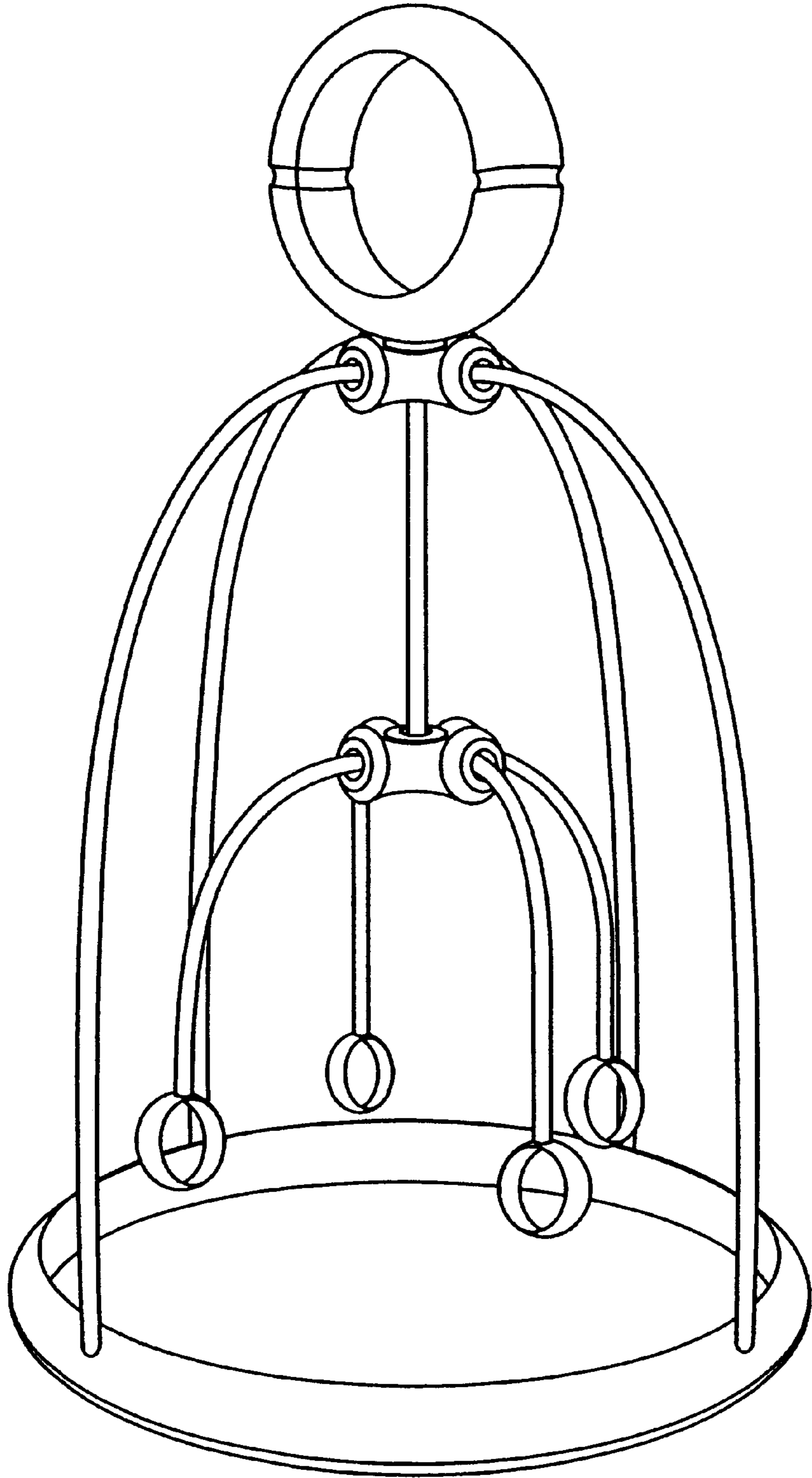


Fig. 1

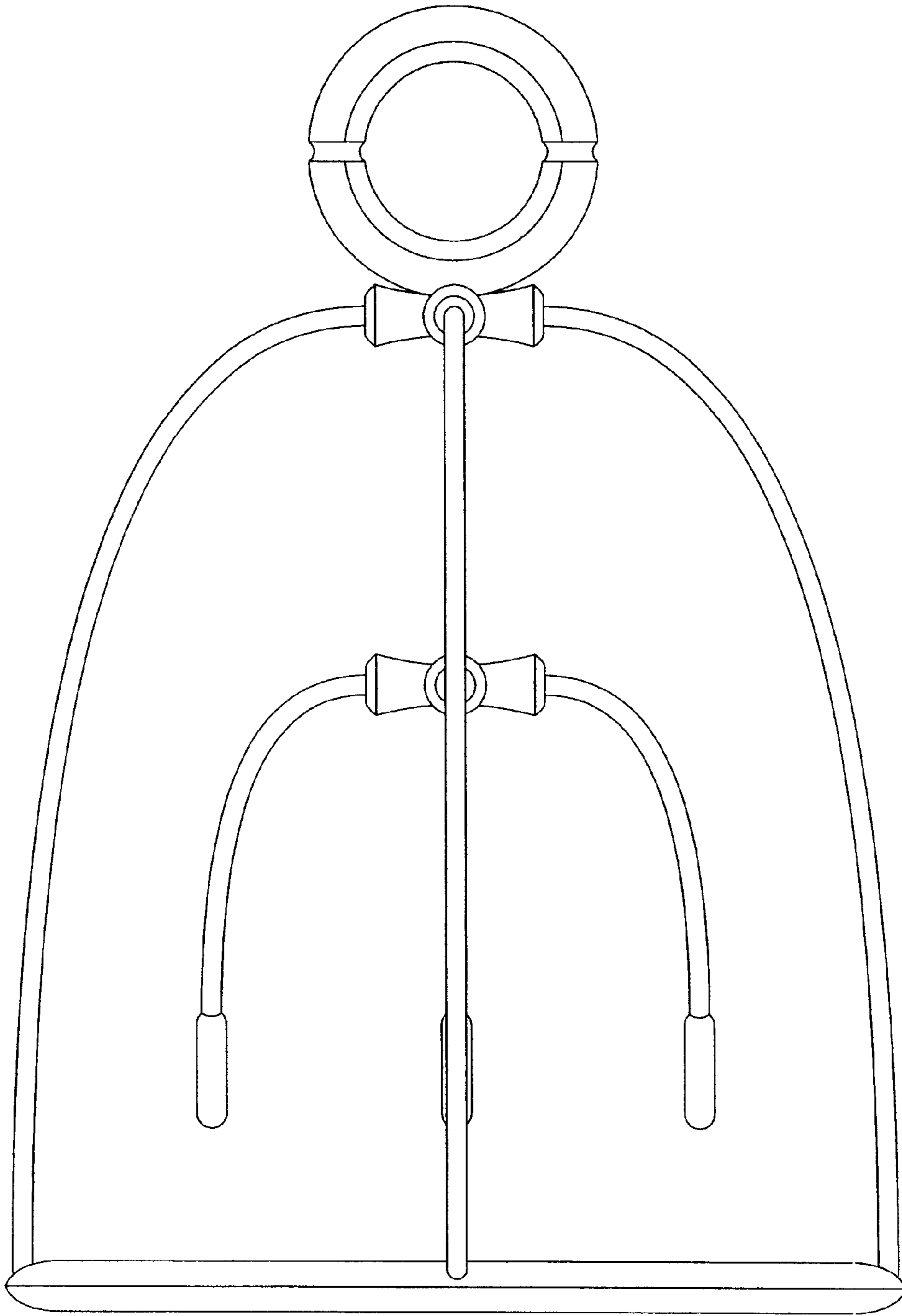


Fig. 2

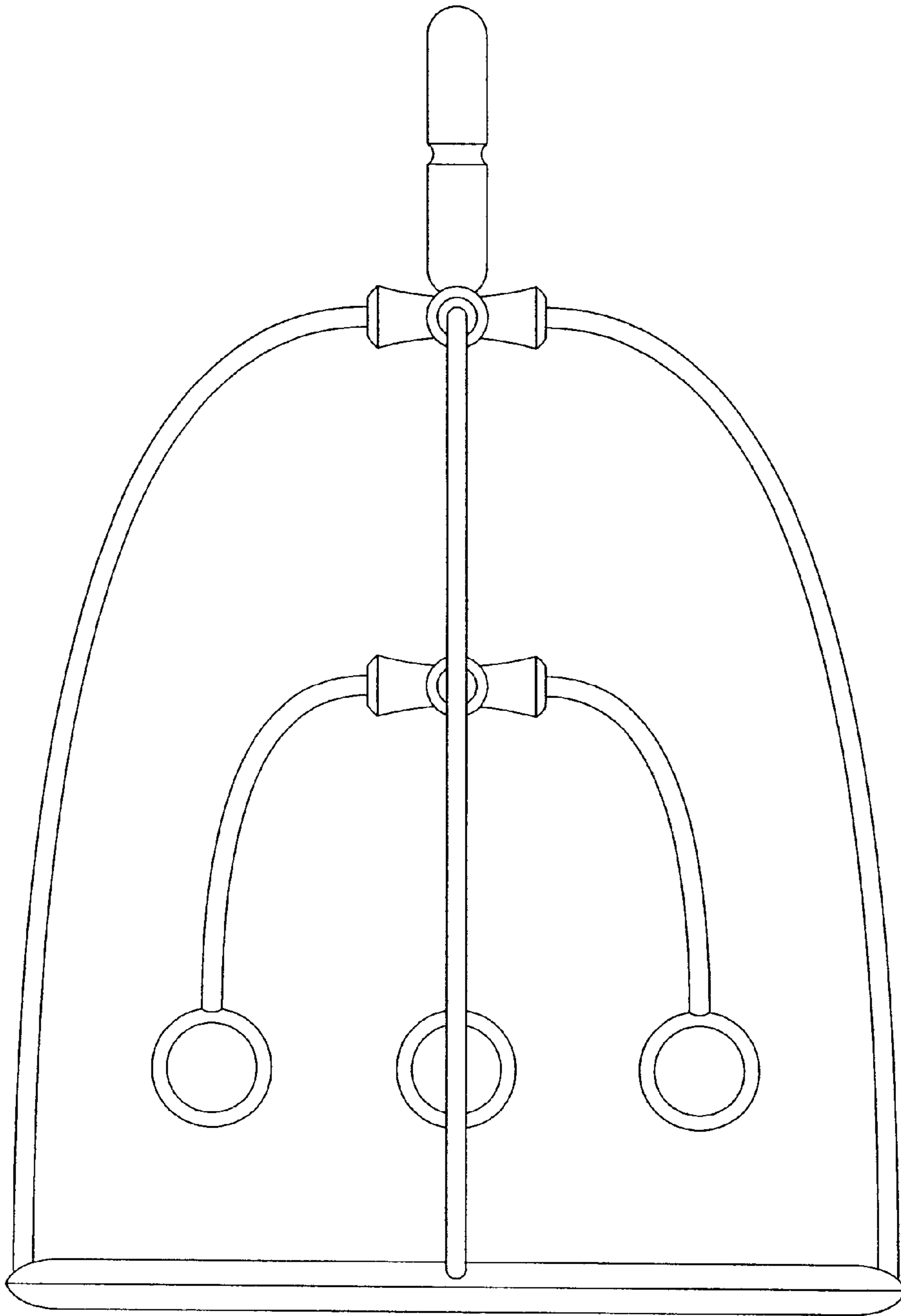


Fig. 3

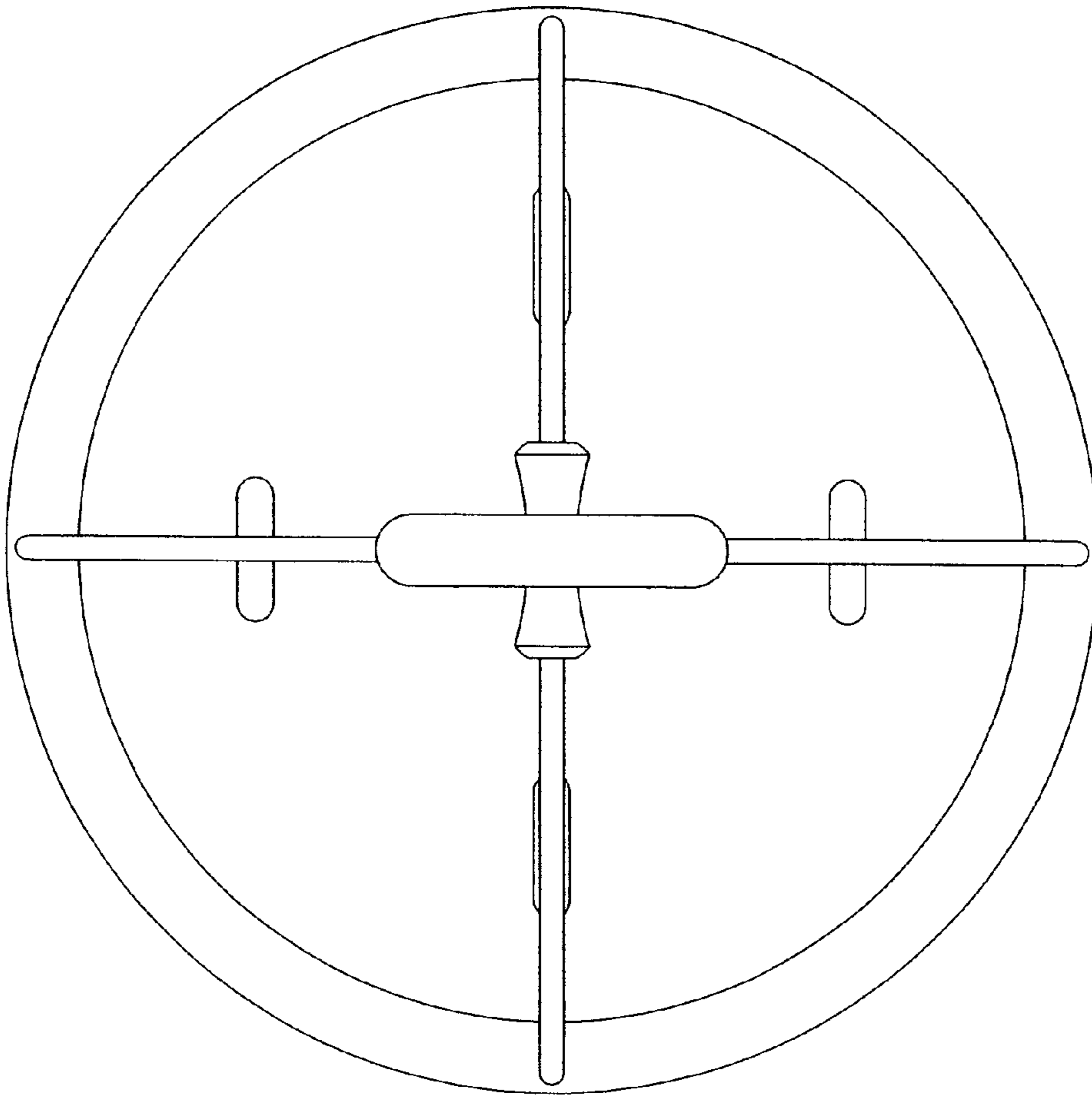


Fig. 4

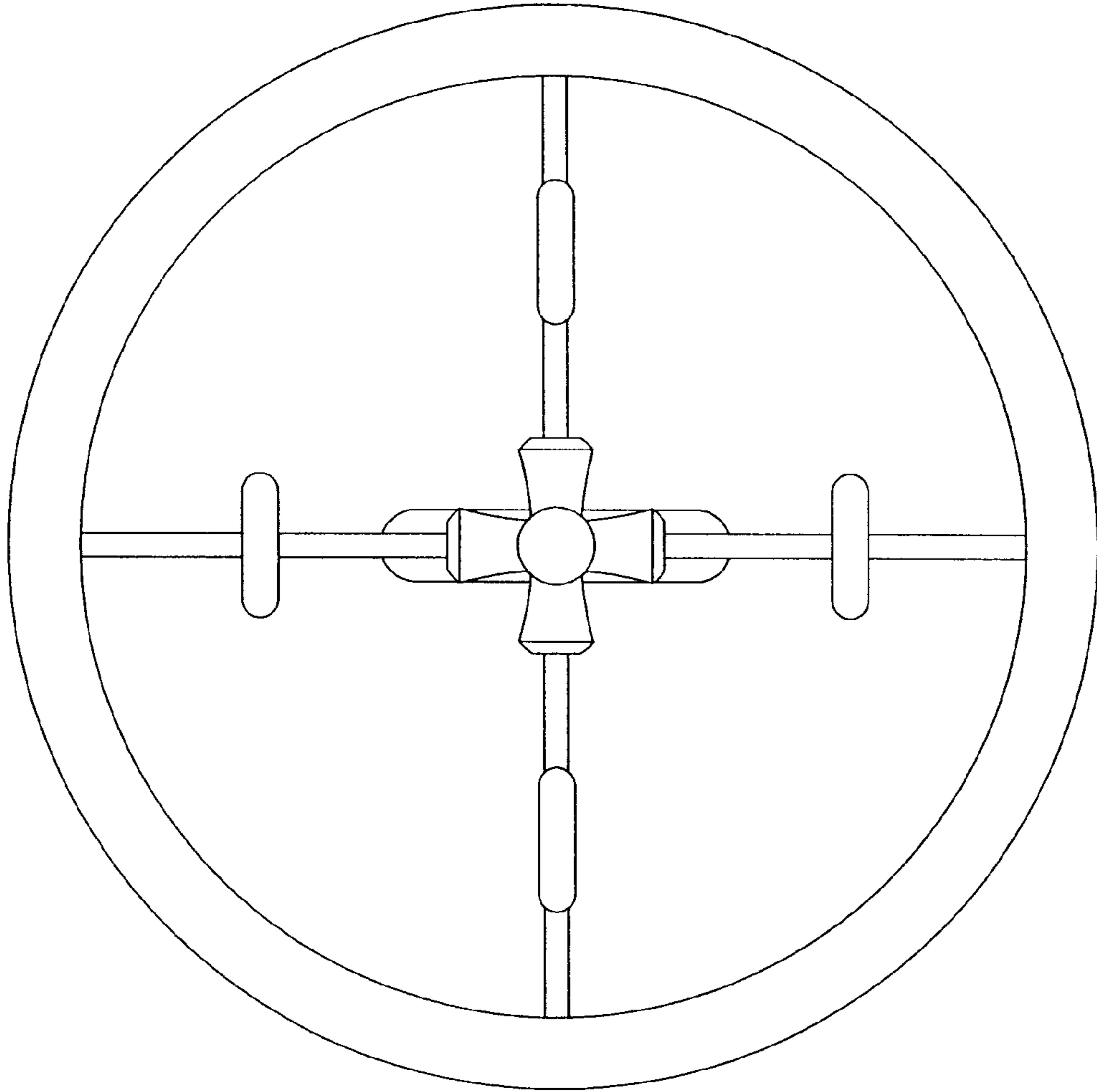


Fig. 5