



US00D478833S

(12) **United States Design Patent**
Belden, Jr. et al.

(10) **Patent No.:** **US D478,833 S**

(45) **Date of Patent:** **** Aug. 26, 2003**

- (54) **THEFT DETERRENT TAG**
- (75) Inventors: **Dennis D. Belden, Jr.**, Canton, OH (US); **Nicholas M. Sedon**, Massillon, OH (US)
- (73) Assignee: **Alpha Security Products, Inc.**, North Canton, OH (US)
- (**) Term: **14 Years**
- (21) Appl. No.: **29/171,023**
- (22) Filed: **Nov. 14, 2002**

- 4,483,049 A 11/1984 Gustavsson et al.
- 4,502,717 A 3/1985 Close
- 4,523,356 A 6/1985 Charlot, Jr.
- 4,531,264 A 7/1985 Minasy
- 4,590,461 A 5/1986 Cooper
- 4,603,453 A 8/1986 Yokoyama
- 4,649,397 A 3/1987 Heaton et al.
- 4,651,136 A 3/1987 Anderson et al.
- 4,670,950 A 6/1987 Wisecup et al.
- 4,685,234 A 8/1987 Anderson et al.
- 4,695,845 A 9/1987 Hildt
- 4,722,119 A 2/1988 Green
- 4,751,500 A 6/1988 Minasy et al.
- 4,774,503 A 9/1988 Bussard
- 4,774,504 A 9/1988 Hartings

Related U.S. Application Data

(List continued on next page.)

- (63) Continuation of application No. 29/161,621, filed on May 31, 2002, now abandoned.
- (51) **LOC (7) Cl.** **10-05**
- (52) **U.S. Cl.** **D10/106**
- (58) **Field of Search** D10/104, 106; 340/540, 572.1, 572.8, 572.9, 568.1, 825.54

Primary Examiner—Antoine Duval Davis
(74) *Attorney, Agent, or Firm*—Sand & Sebolt

(57) **CLAIM**

The ornamental design for a theft deterrent tag, as shown and described.

DESCRIPTION

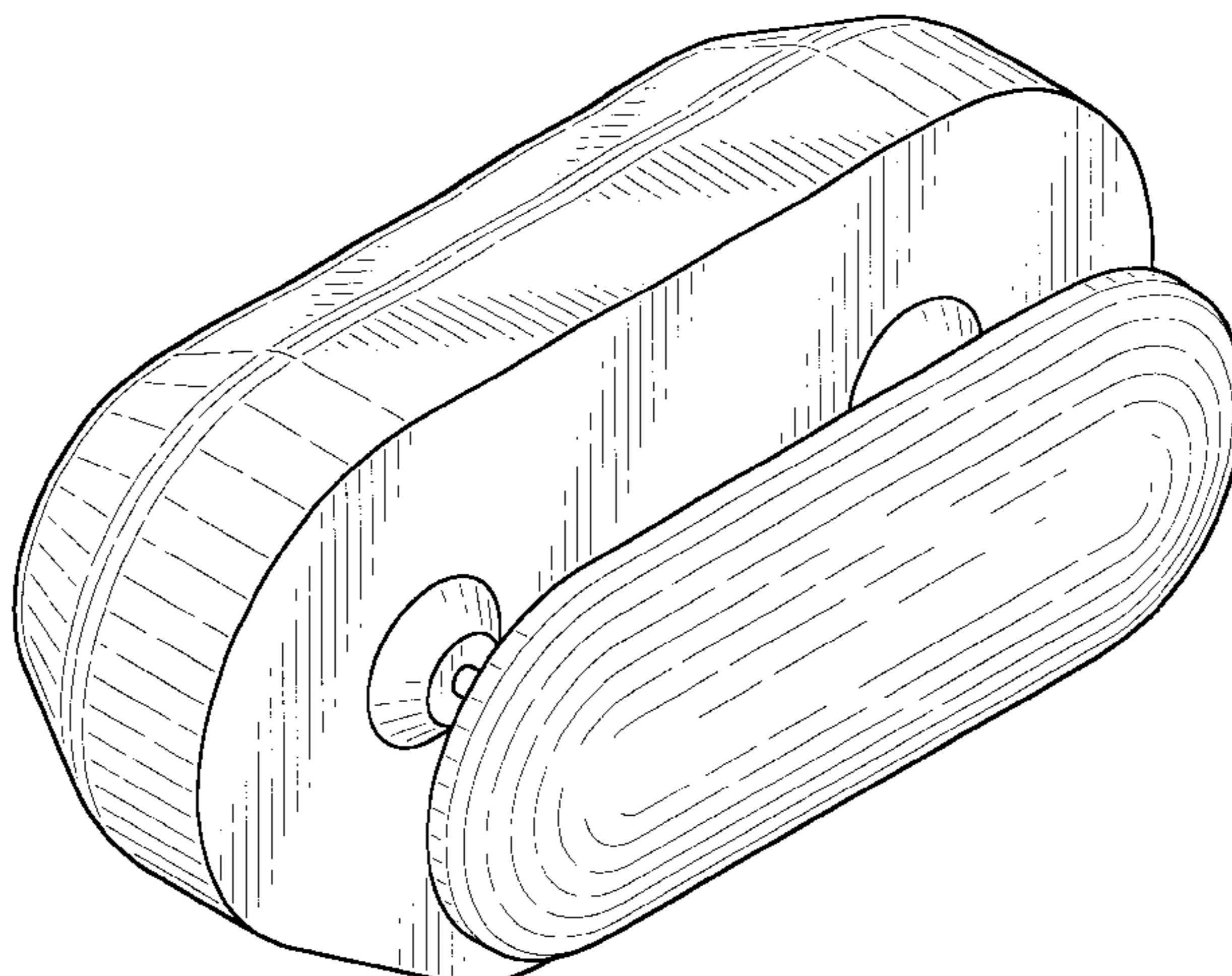
FIG. 1 is a perspective view of a first embodiment of a theft deterrent tag showing our new design.
 FIG. 2 is a top plan view of FIG. 1.
 FIG. 3 is a front elevation view of FIG. 1.
 FIG. 4 is a right side elevation view of FIG. 3; the left side being a mirror image thereof.
 FIG. 5 is a bottom plan view of FIG. 3.
 FIG. 6 is a rear elevation view of FIG. 3.
 FIG. 7 is a perspective view of a second embodiment of a theft deterrent tag showing our new design.
 FIG. 8 is a top plan view of FIG. 7.
 FIG. 9 is a front elevation view of FIG. 7.
 FIG. 10 is a right side elevation view of FIG. 9; the left side being a mirror image thereof.
 FIG. 11 is a bottom plan view of FIG. 9; and,
 FIG. 12 is a rear elevation view of FIG. 9.

(56) **References Cited**

U.S. PATENT DOCUMENTS

- 3,858,280 A 1/1975 Martens
- 3,911,534 A 10/1975 Martens et al.
- 3,914,829 A 10/1975 Paskert
- 3,932,918 A 1/1976 Paskert
- 3,942,829 A 3/1976 Humble et al.
- 3,947,930 A 4/1976 Martens et al.
- 3,974,581 A 8/1976 Martens et al.
- 3,995,900 A 12/1976 Humble et al.
- 4,000,543 A 1/1977 Paskert
- 4,012,813 A 3/1977 Martens et al.
- 4,103,295 A 7/1978 Doerre
- 4,104,622 A 8/1978 Van Niel
- 4,187,509 A 2/1980 Weiner
- 4,196,424 A 4/1980 Williamson
- 4,221,025 A 9/1980 Martens et al.
- 4,299,870 A 11/1981 Humble
- 4,311,992 A 1/1982 DeChant
- 4,380,097 A 4/1983 Keifer

1 Claim, 3 Drawing Sheets



US D478,833 S

Page 2

U.S. PATENT DOCUMENTS

4,847,592 A	7/1989	Hogen Esch et al.	5,438,738 A	8/1995	Stolz et al.
4,903,383 A	2/1990	Gartshore	5,497,639 A	3/1996	Charlot, Jr.
4,940,968 A	7/1990	De Nood	5,524,463 A	6/1996	Schenkel et al.
4,944,075 A	7/1990	Hogan	5,528,914 A	6/1996	Nguyen et al.
4,987,754 A	1/1991	Minasy et al.	5,535,606 A	7/1996	Nguyen et al.
4,991,413 A	2/1991	Arnaldo	RE35,361 E	10/1996	Hogan et al.
4,993,245 A	2/1991	Ott	5,572,191 A	11/1996	Lundberg
5,022,244 A	6/1991	Charlot, Jr.	5,600,977 A	2/1997	Piron
5,031,287 A	7/1991	Charlot, Jr. et al.	5,647,106 A	7/1997	Hogan
5,054,172 A	10/1991	Hogan et al.	5,655,392 A	8/1997	Holmgren
5,068,641 A	11/1991	Hogen Esch	5,680,681 A	10/1997	Fuss
5,069,047 A	12/1991	Lynch et al.	5,745,965 A	5/1998	Stoltz et al.
5,077,872 A	1/1992	Guthammar	5,791,079 A	8/1998	Mazzucchelli
5,079,540 A	1/1992	Narlow et al.	5,841,349 A	11/1998	Holmgren
5,088,165 A	2/1992	Minasy et al.	5,852,856 A	12/1998	Seidel
5,099,228 A	3/1992	Israel et al.	5,942,978 A	8/1999	Shafer
5,140,836 A	8/1992	Hogan et al.	5,953,799 A	9/1999	Seidel
5,144,820 A	9/1992	Holmgren	5,955,951 A	9/1999	Wischerop et al.
5,205,024 A	4/1993	Willard	5,969,614 A	10/1999	Holmgren
5,208,580 A	5/1993	Crossfield	6,023,951 A	2/2000	Maurer et al.
5,275,122 A	1/1994	Stolz et al.	6,029,322 A	2/2000	Belotti et al.
5,309,740 A	5/1994	Hansen	6,052,876 A	4/2000	Hogan et al.
5,367,289 A	11/1994	Baro et al.	D432,442 S *	10/2000	Sayegh D10/106
5,388,433 A	2/1995	Andersson et al.	6,137,413 A	10/2000	Ryan, Jr.
5,392,620 A	2/1995	Stoltz et al.	6,188,320 B1	2/2001	Kolton et al.
5,426,419 A	6/1995	Nguyen et al.	6,226,839 B1	5/2001	Sayegh
5,428,875 A	7/1995	Nguyen et al.	6,373,390 B1 *	4/2002	Hogan et al. 340/572.8
5,437,172 A	8/1995	Lamy et al.			

* cited by examiner

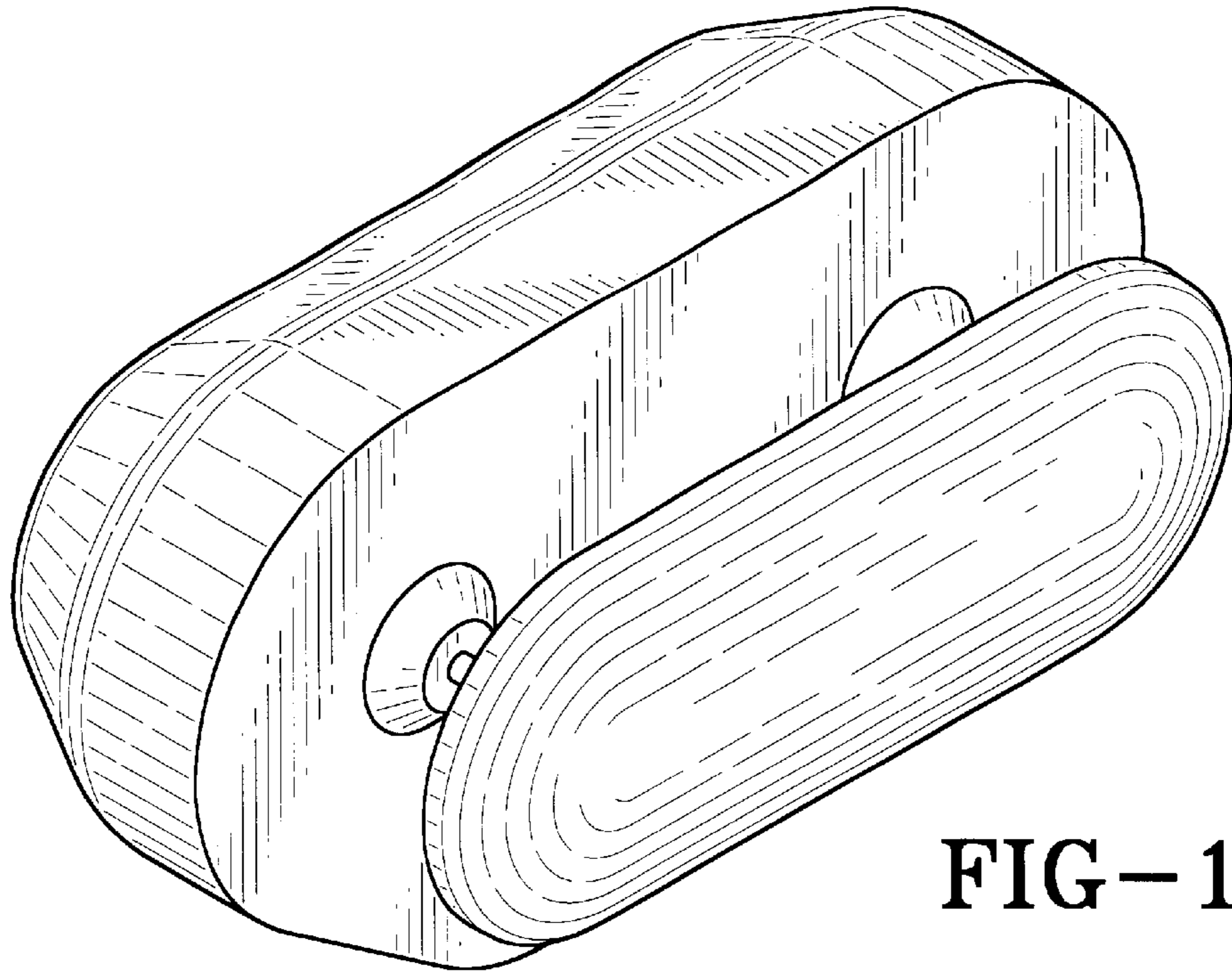


FIG-1

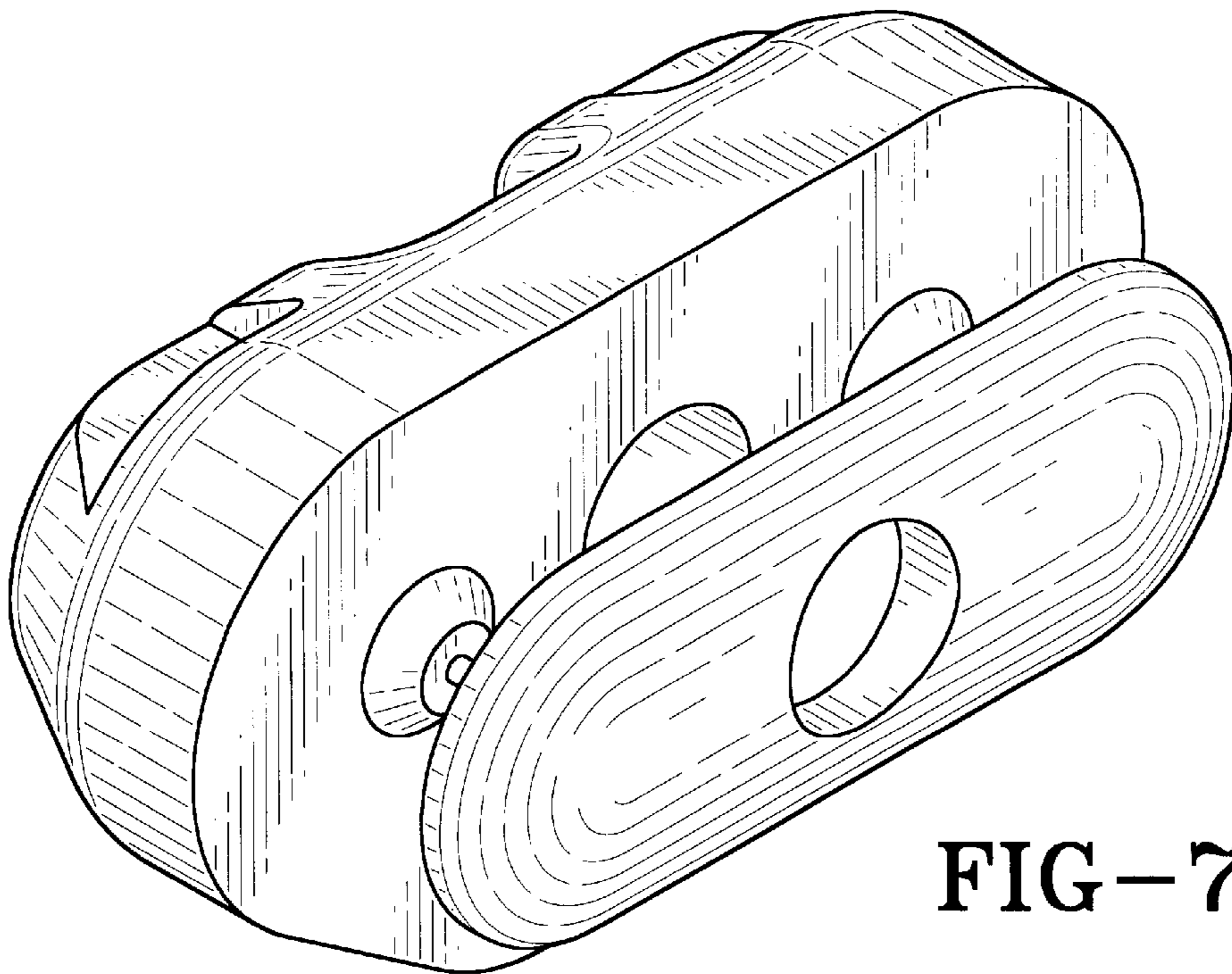


FIG-7

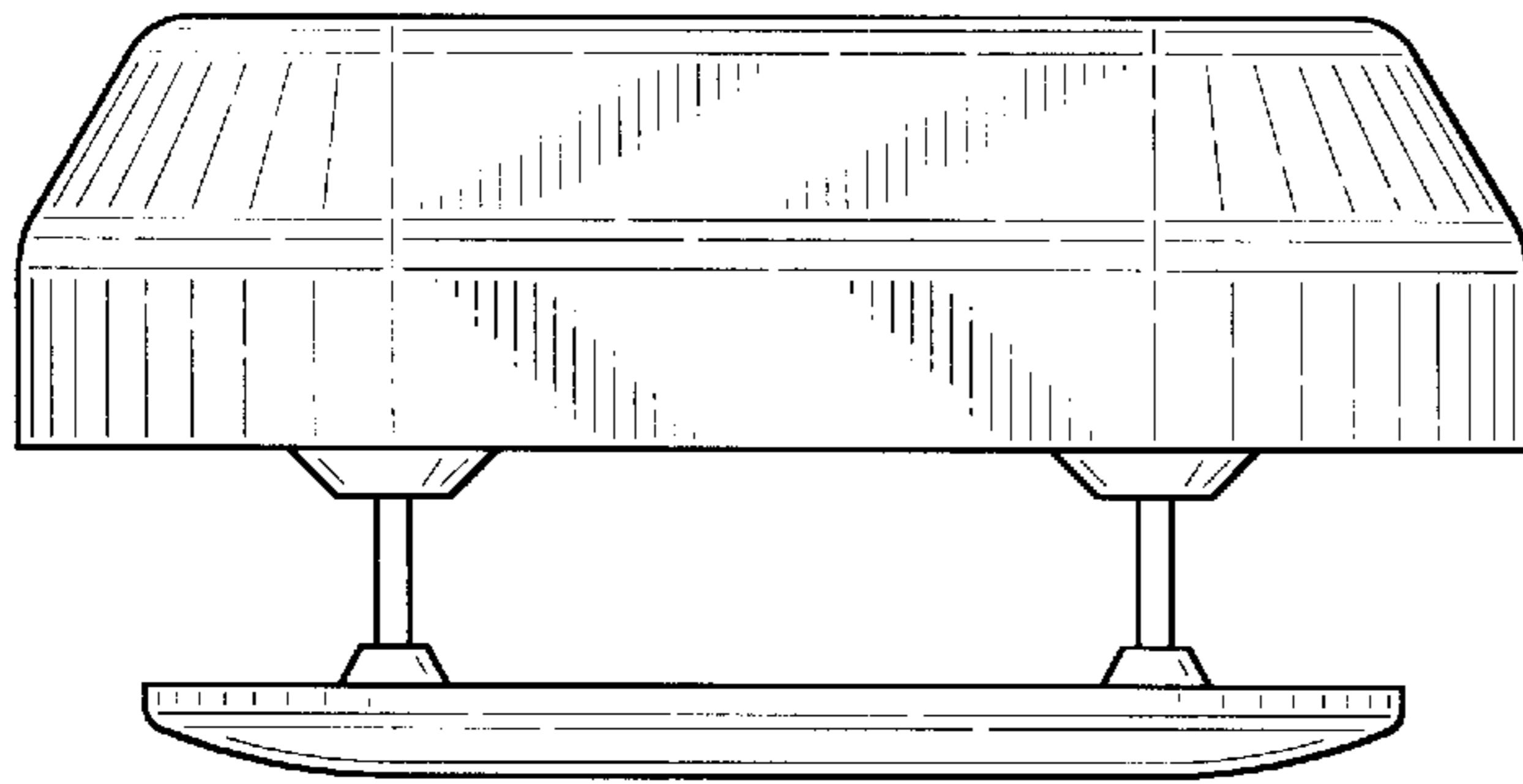


FIG-2

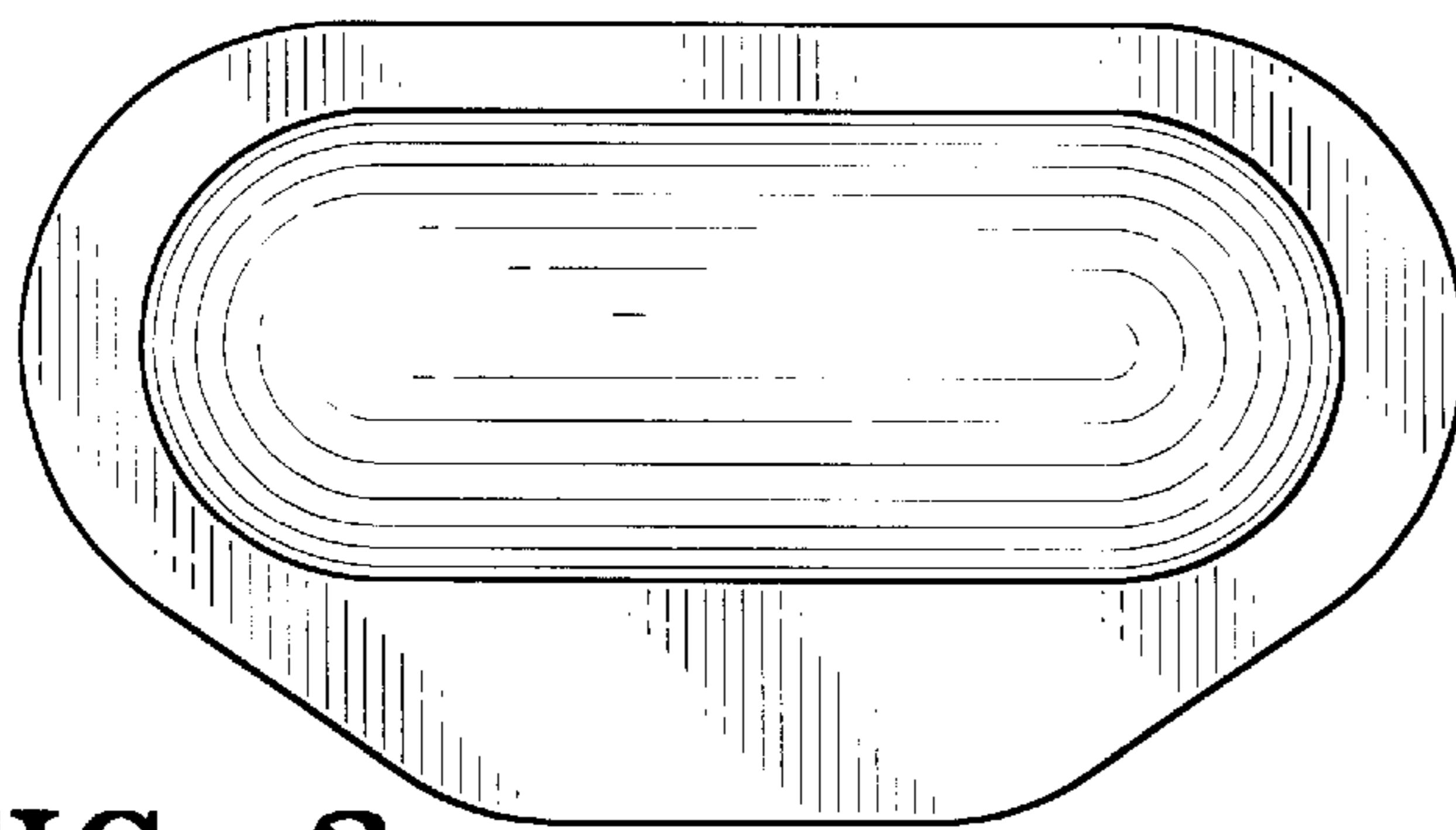


FIG-3

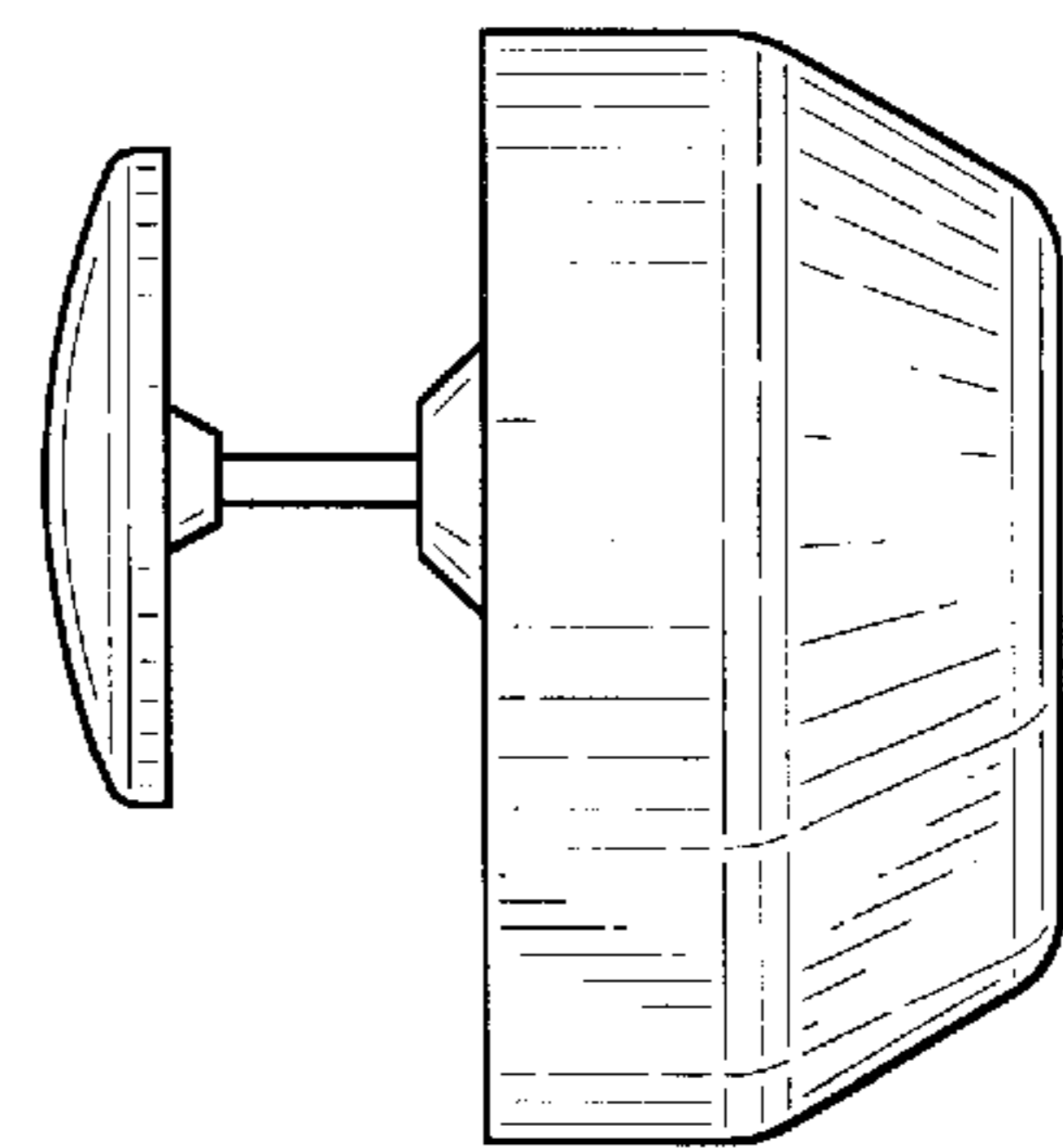


FIG-4

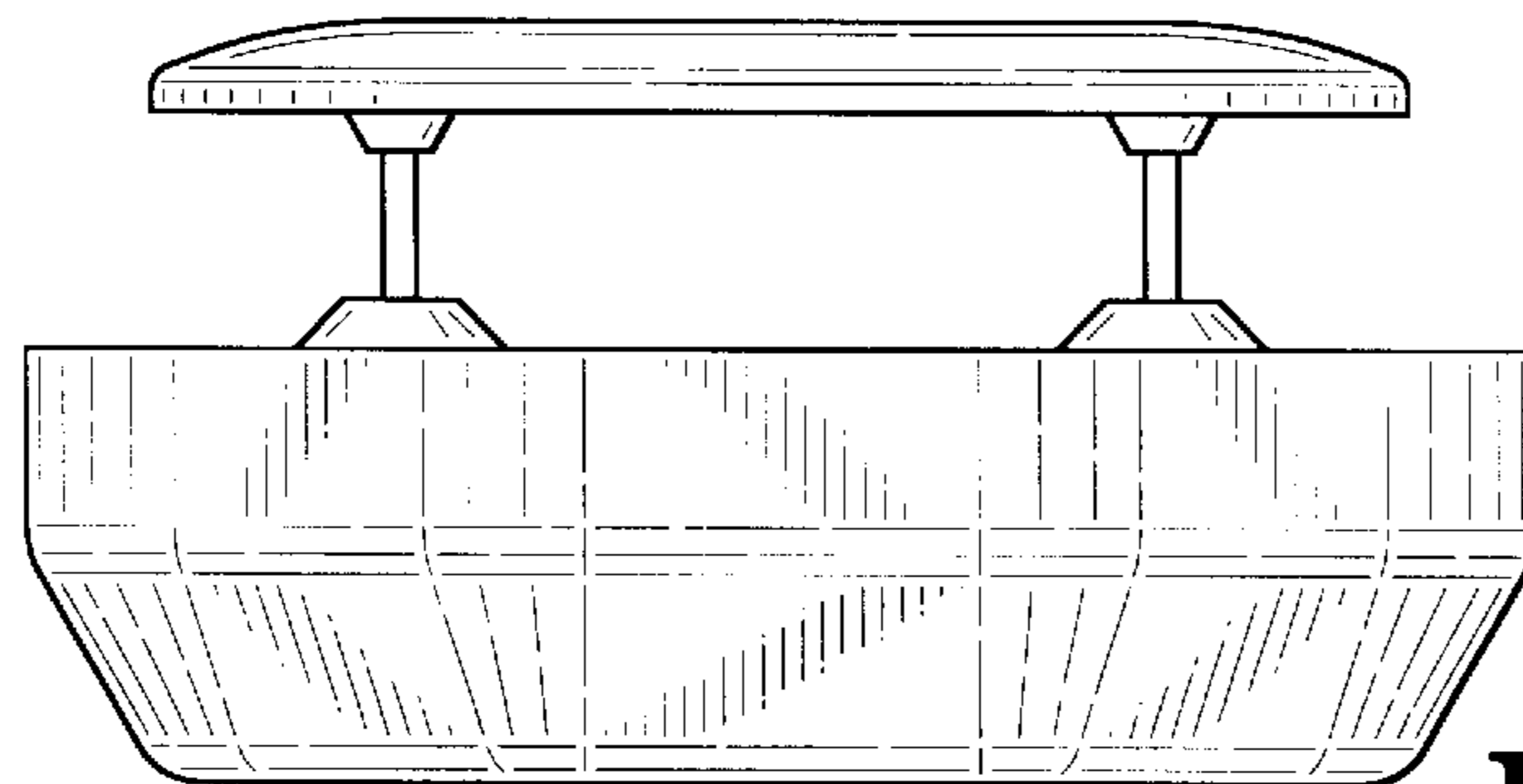


FIG-5

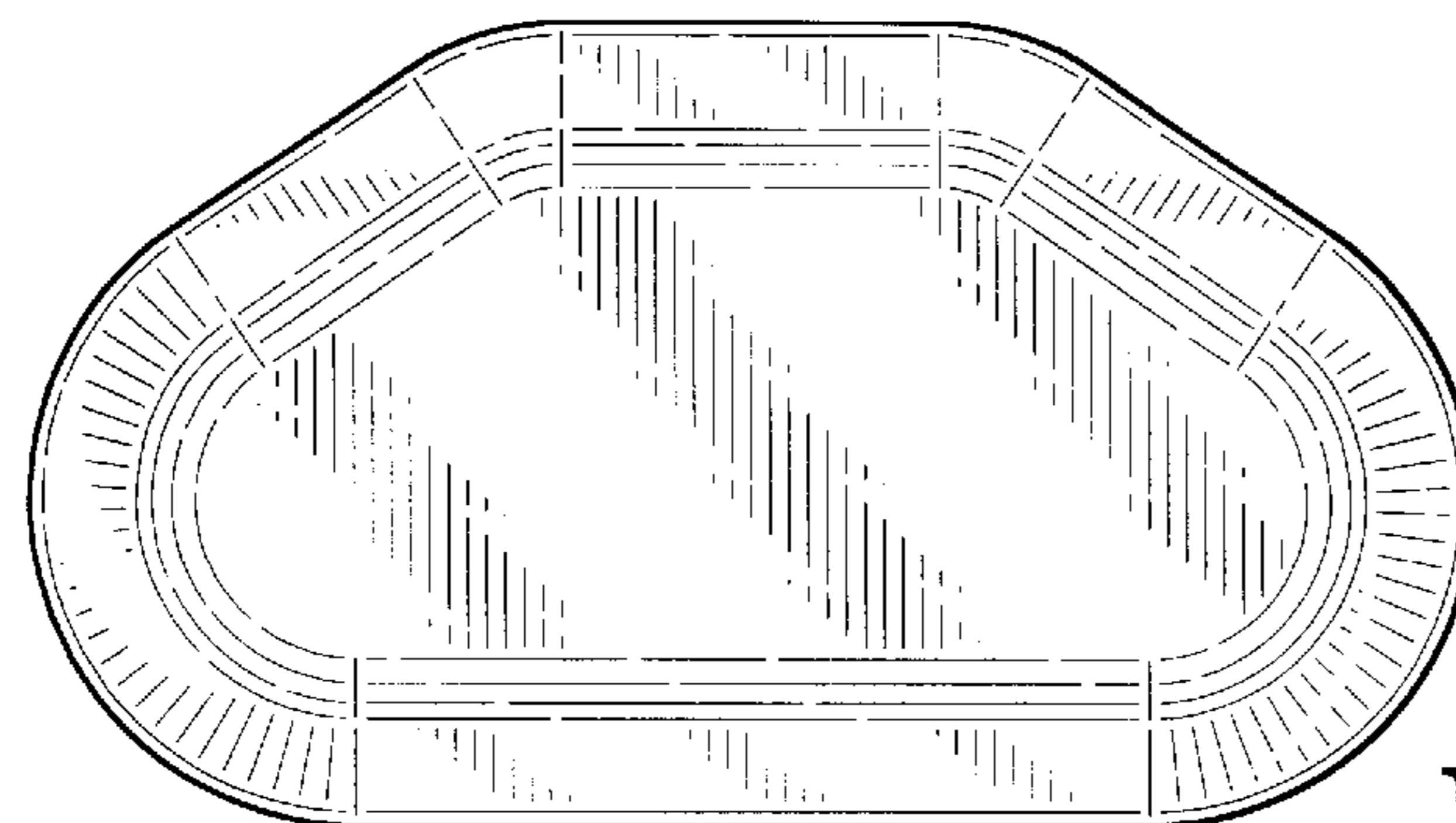


FIG-6

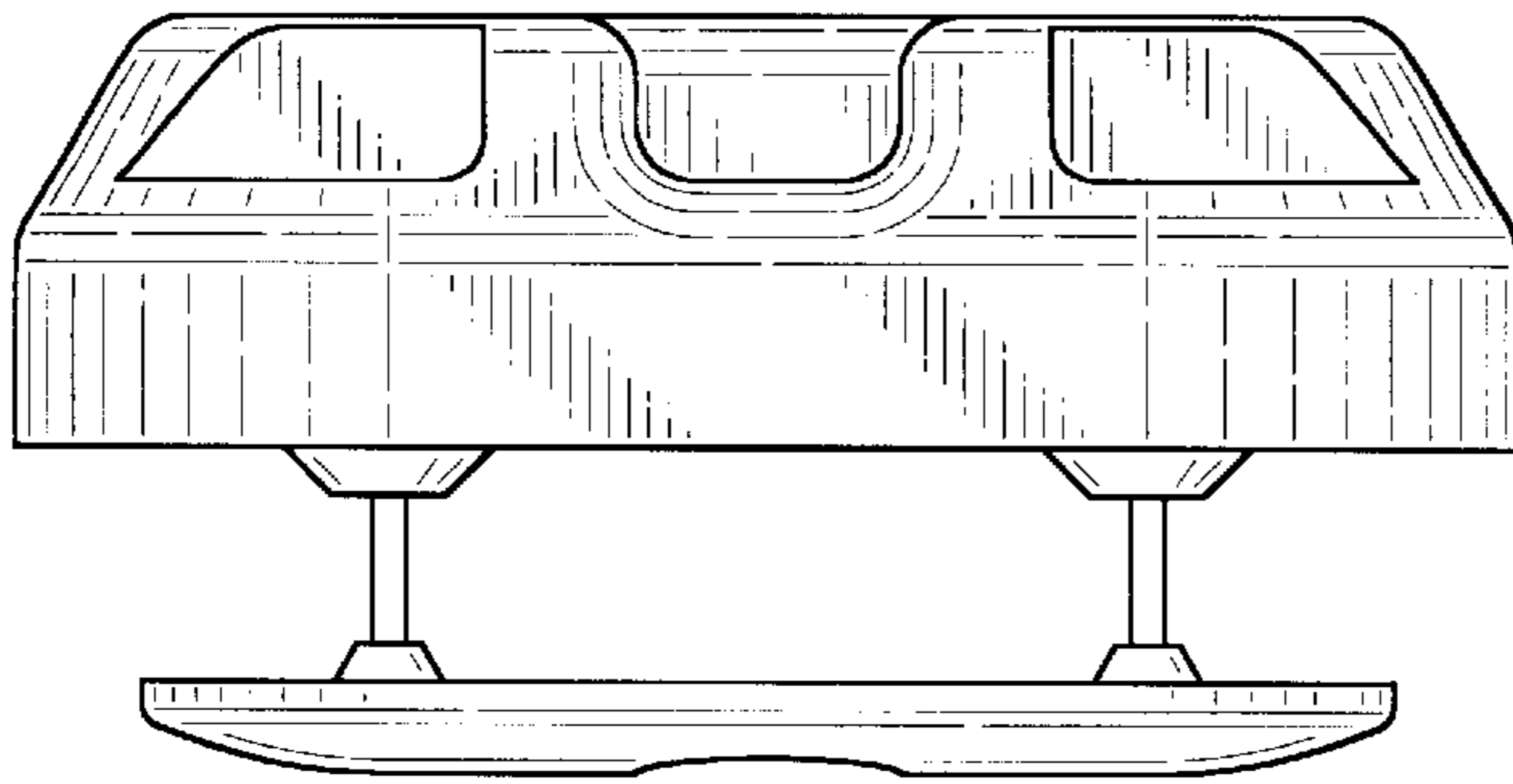


FIG-8

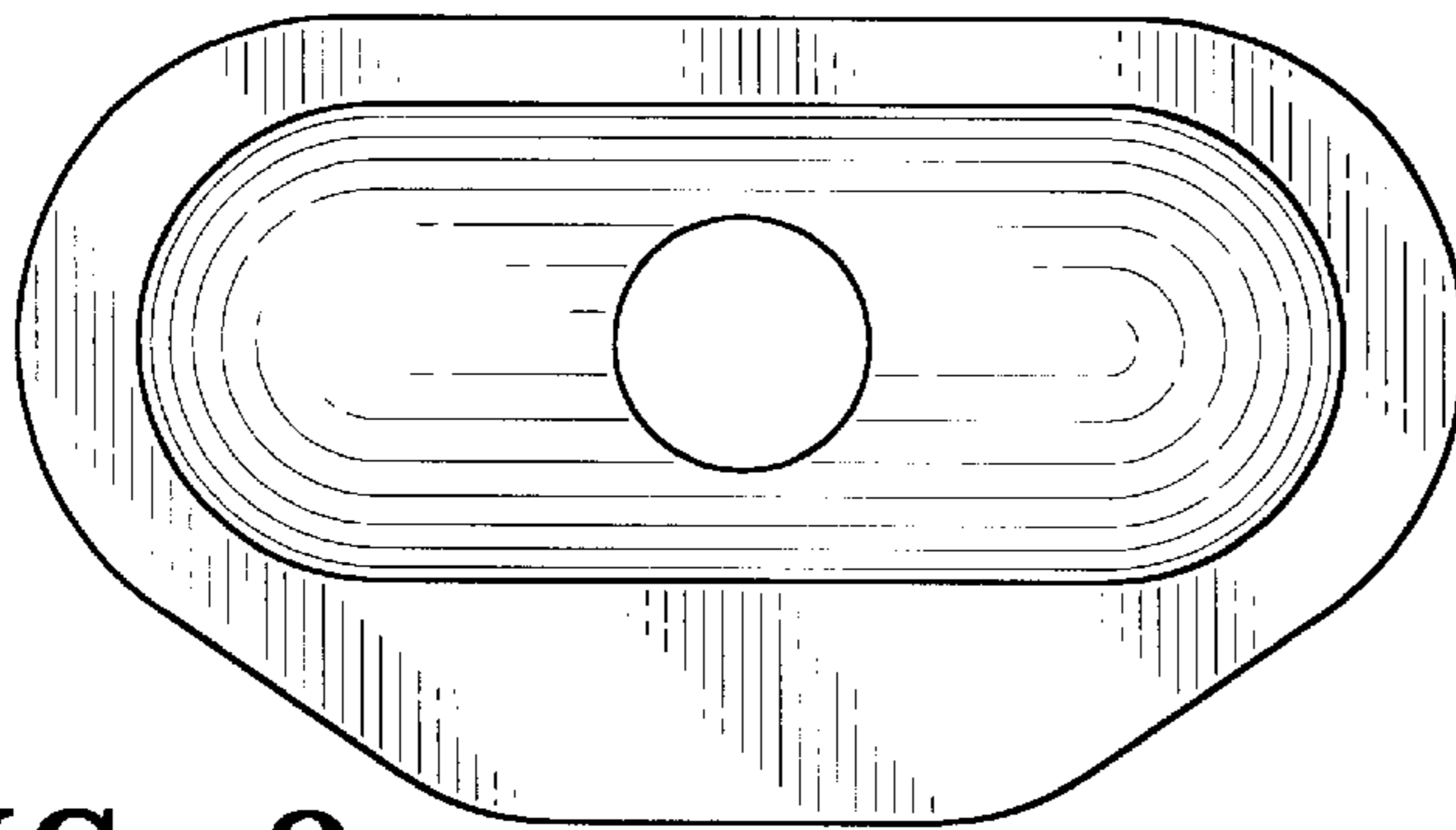


FIG-9

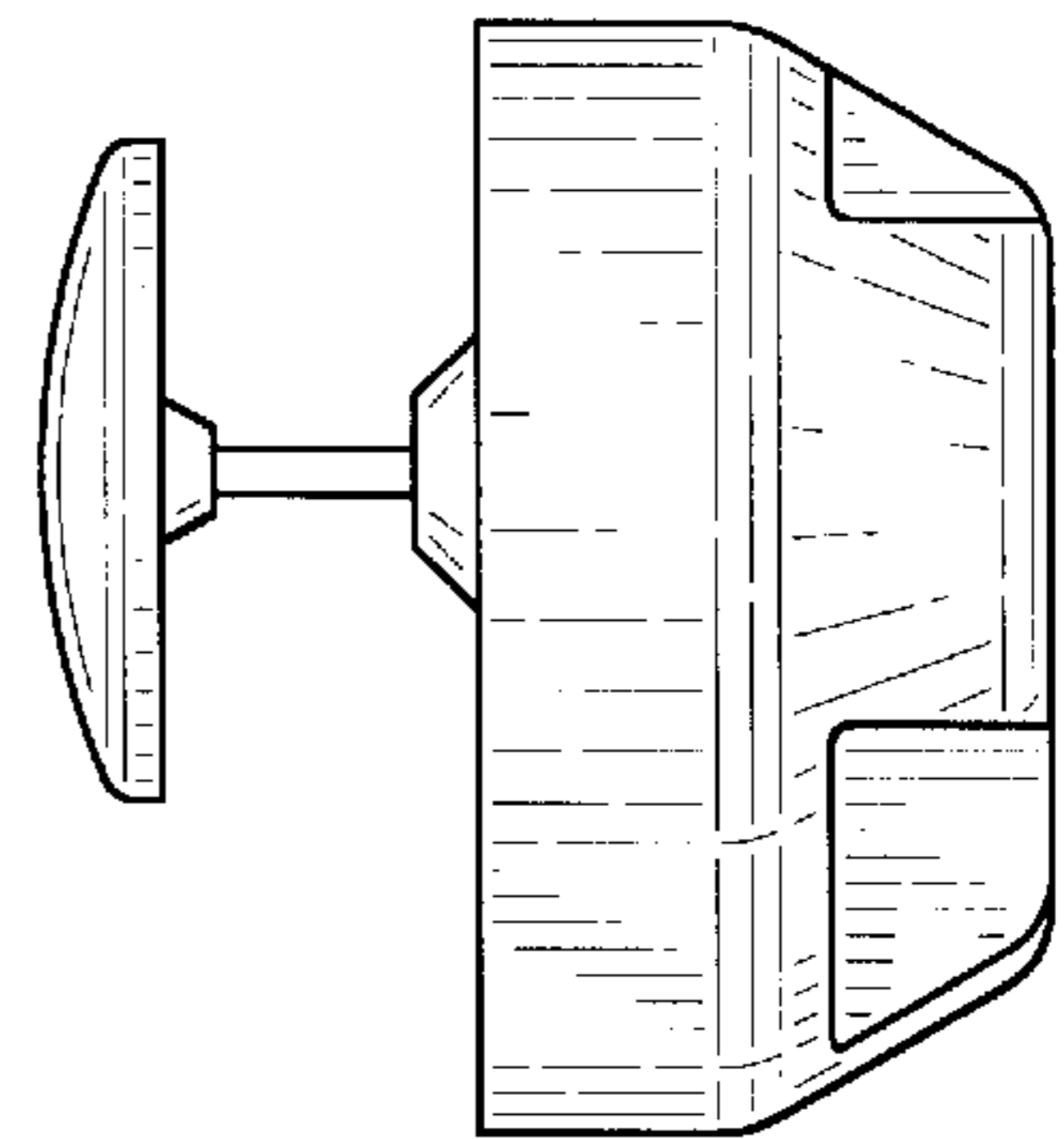


FIG-10

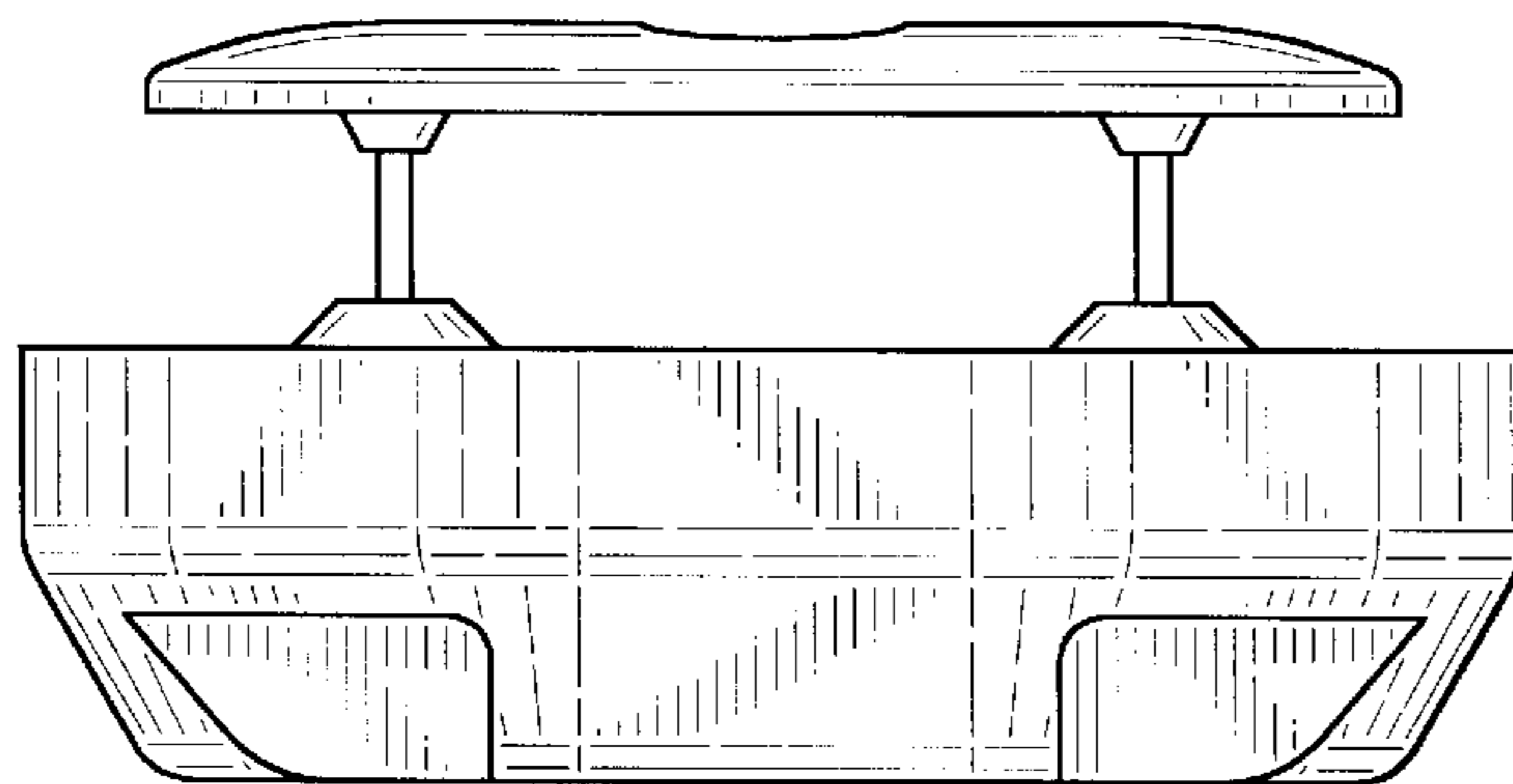


FIG-11

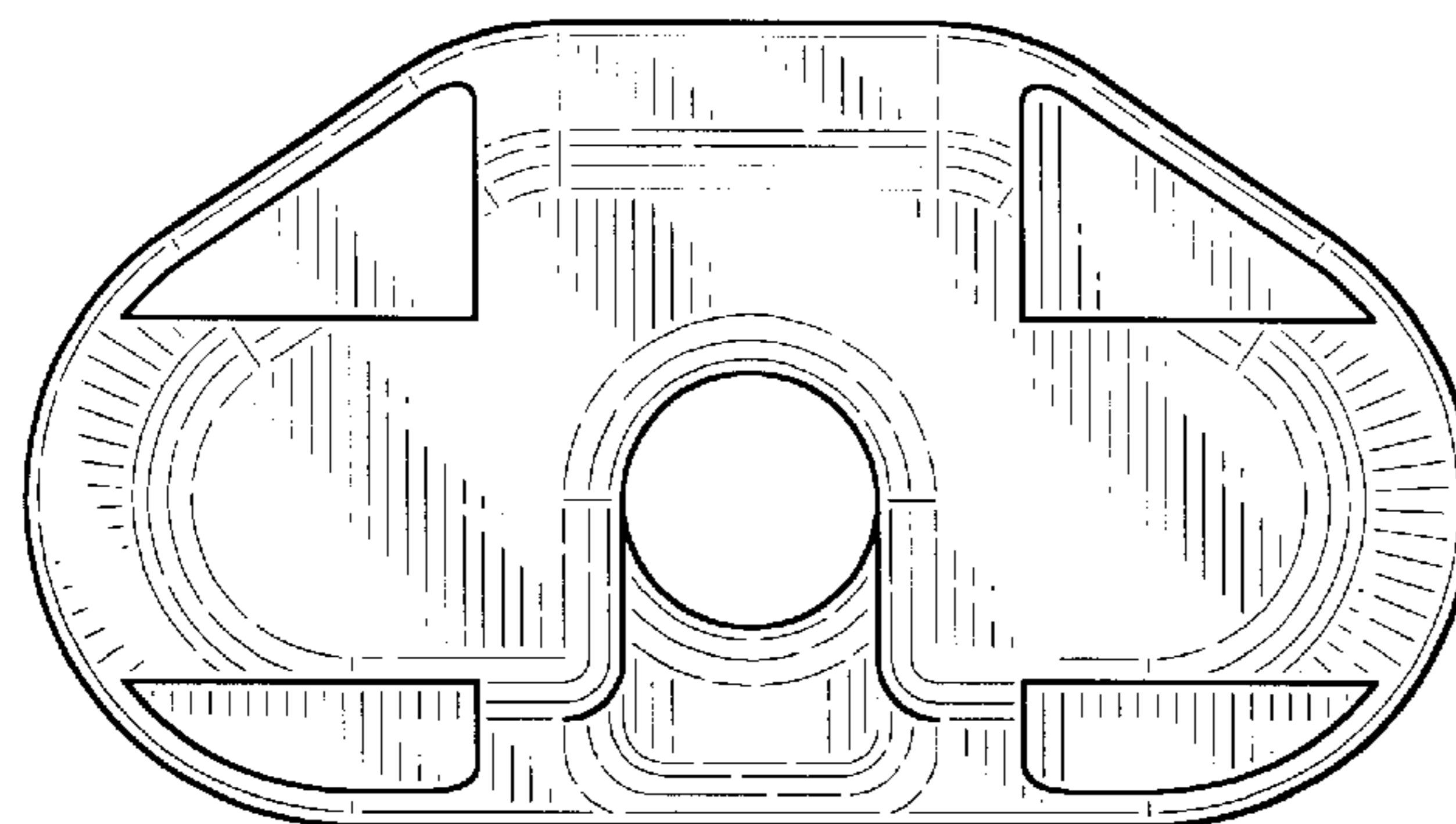


FIG-12