



US00D478830S

(12) **United States Design Patent** (10) **Patent No.:** **US D478,830 S**
So (45) **Date of Patent:** **** Aug. 26, 2003**

(54) **DOG BARKING RESTRAINING DEVICE**
 (76) Inventor: **Ho Yun So**, 8-1006 Kwangjang Apt.,
 28 Youido-dong, Yongdungpo-gu, Seoul
 150-762 (KR)
 (**) Term: **14 Years**
 (21) Appl. No.: **29/175,398**
 (22) Filed: **Feb. 3, 2003**
 (51) **LOC (7) Cl.** **10-01**
 (52) **U.S. Cl.** **D10/104; D30/152**
 (58) **Field of Search** D30/152, 199,
 D30/144; 119/905, 712, 908, 856, 858,
 860, 720, 859; 54/71; 361/232; D10/104

(56) **References Cited**
U.S. PATENT DOCUMENTS
 4,202,293 A 5/1980 Gonda et al. 119/29
 5,193,484 A 3/1993 Gonda 119/29
 D336,055 S * 6/1993 Juliana et al. D10/106
 D376,553 S * 12/1996 Heun D10/104
 D400,458 S * 11/1998 Titus et al. D10/104
 5,857,433 A 1/1999 Files 119/720
 D410,206 S * 5/1999 Slater D10/104
 5,913,284 A 6/1999 Van Curen et al. 119/720
 6,019,066 A 2/2000 Taylor 119/720
 6,079,367 A * 6/2000 Stapelfeld et al. 119/720
 6,327,999 B1 * 12/2001 Gerig 119/712
 D469,029 S 1/2003 So D10/104
 D473,481 S 4/2003 So D10/104
 2002/0139565 A1 10/2002 Bradford 174/188

OTHER PUBLICATIONS
 U.S. patent application Ser. No. 29/175,404, So, filed Feb. 3,
 2003.
 U.S. patent application Ser. No. 29/176,977, So, filed Feb. 3,
 2003.

* cited by examiner

Primary Examiner—Pamela Burgess
 (74) *Attorney, Agent, or Firm*—Sheridan Ross PC

(57) **CLAIM**

The ornamental design for a dog barking restraining device, as shown and described.

DESCRIPTION

FIG. 1 is a perspective view of a dog barking restraining device showing my new design;
 FIG. 2 is a front elevation view of the invention illustrated in FIG. 1;
 FIG. 3 is a rear elevation view of the invention illustrated in FIG. 1;
 FIG. 4 is a left elevation view of the invention illustrated in FIG. 1;
 FIG. 5 is a right elevation view of the invention illustrated in FIG. 1;
 FIG. 6 is a top plan view of the invention illustrated in FIG. 1;
 FIG. 7 is a bottom plan view of the invention illustrated in FIG. 1; and,
 FIG. 8 is a front perspective view of the dog barking restraining device of FIG. 1 shown with an attachment mechanism, the broken lines showing environment for illustrative purposes only and forming no part of the claimed design.

1 Claim, 5 Drawing Sheets

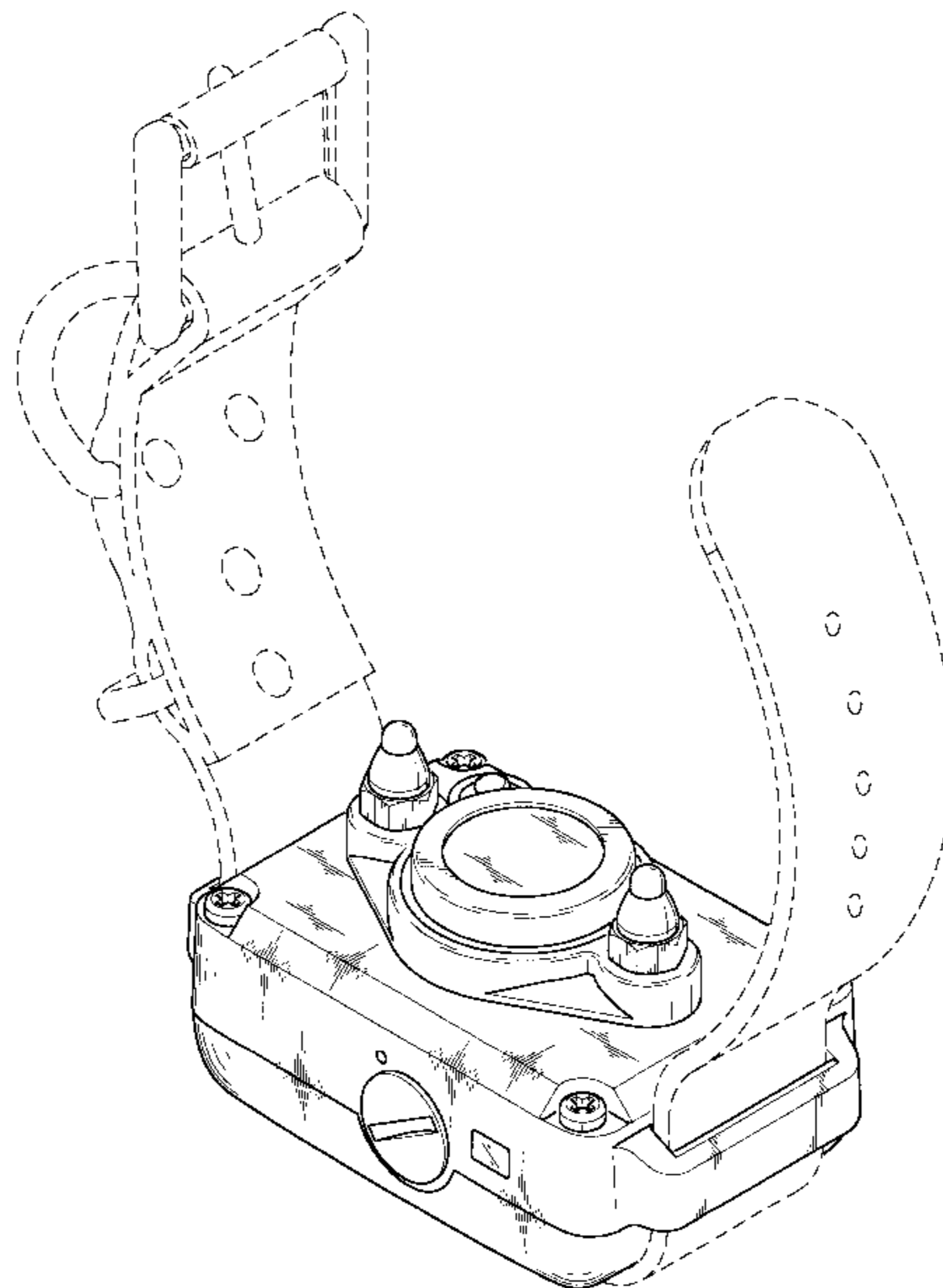


FIG. 1

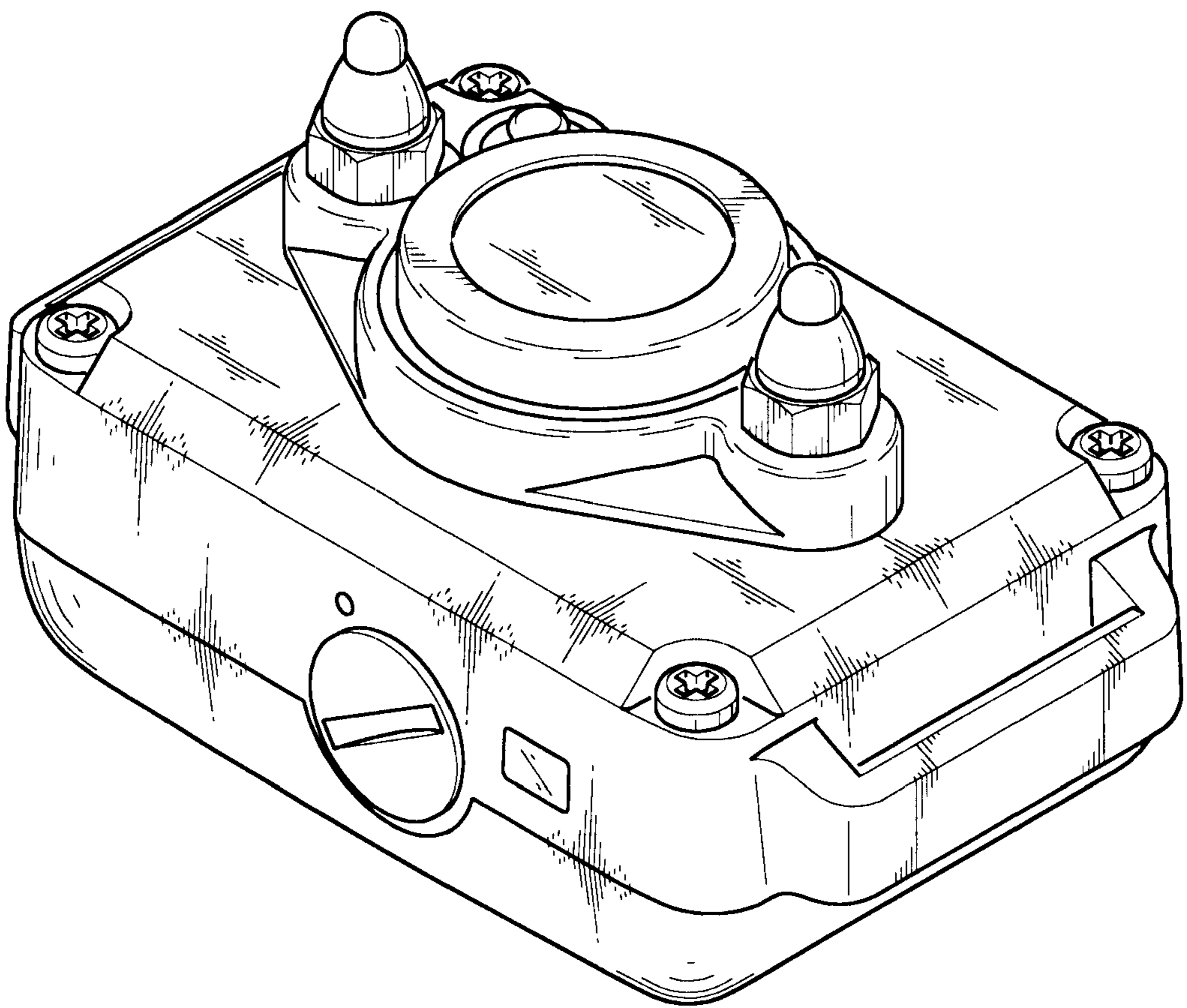


FIG. 2

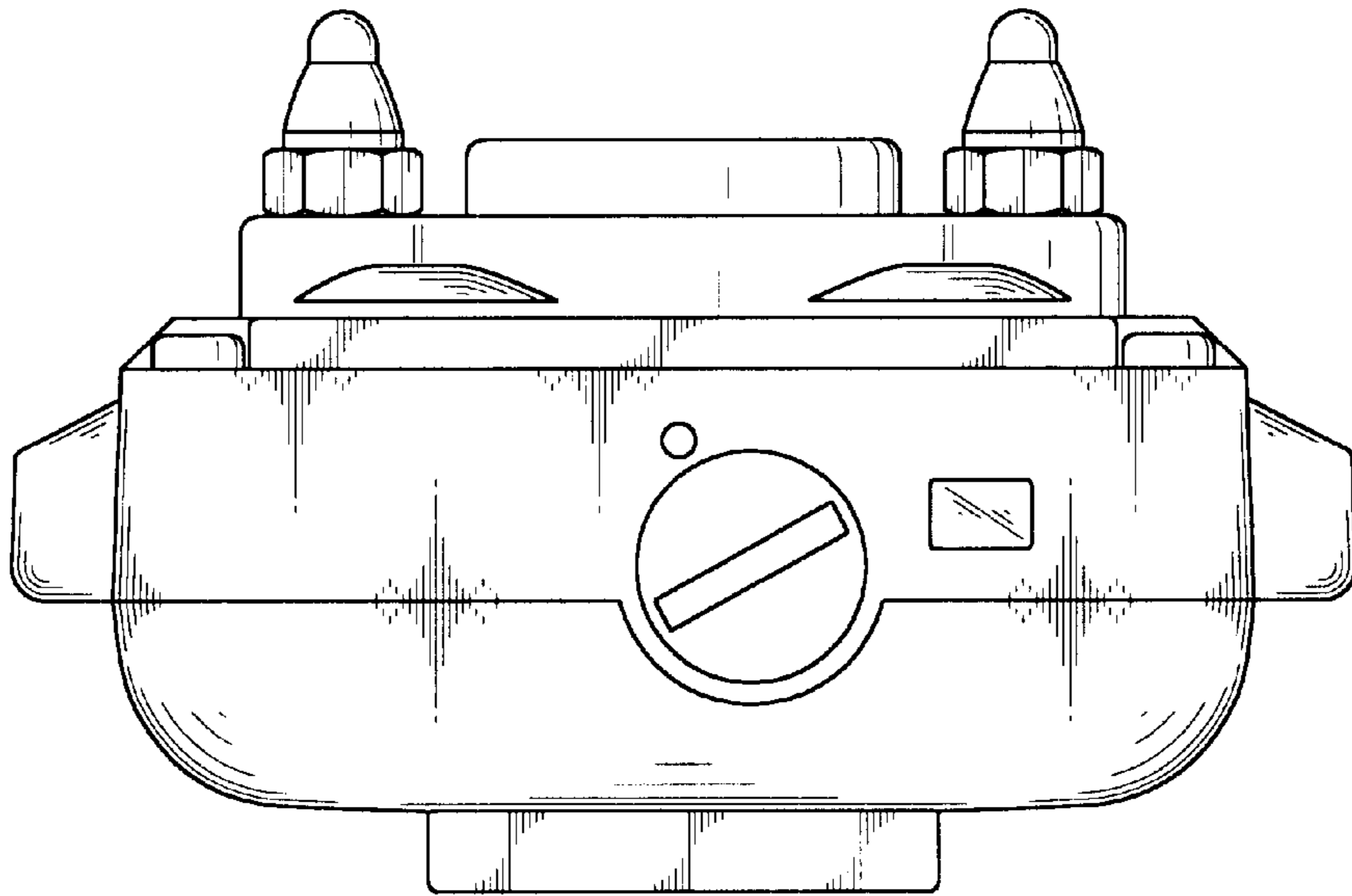


FIG. 3

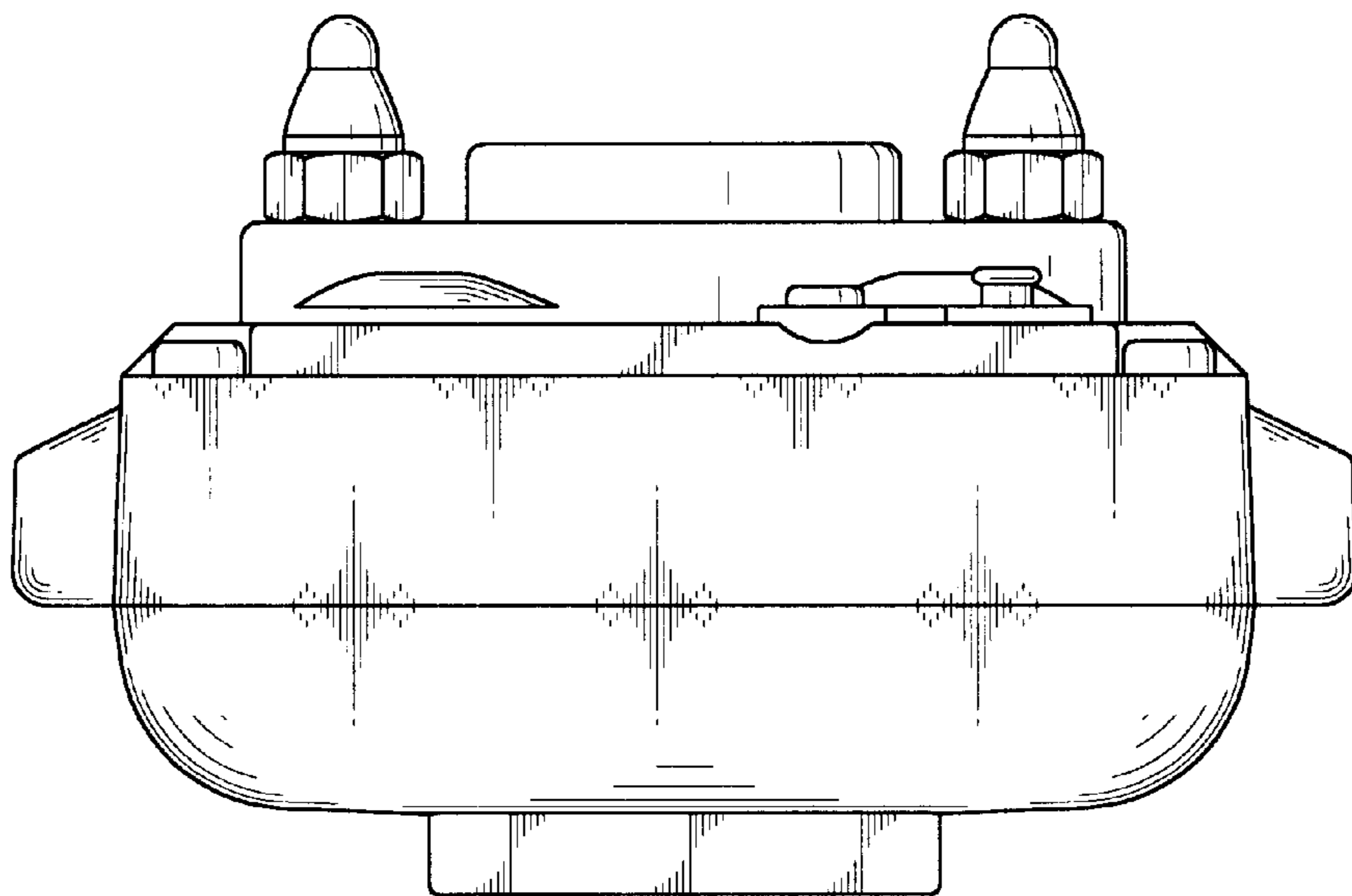


FIG. 4

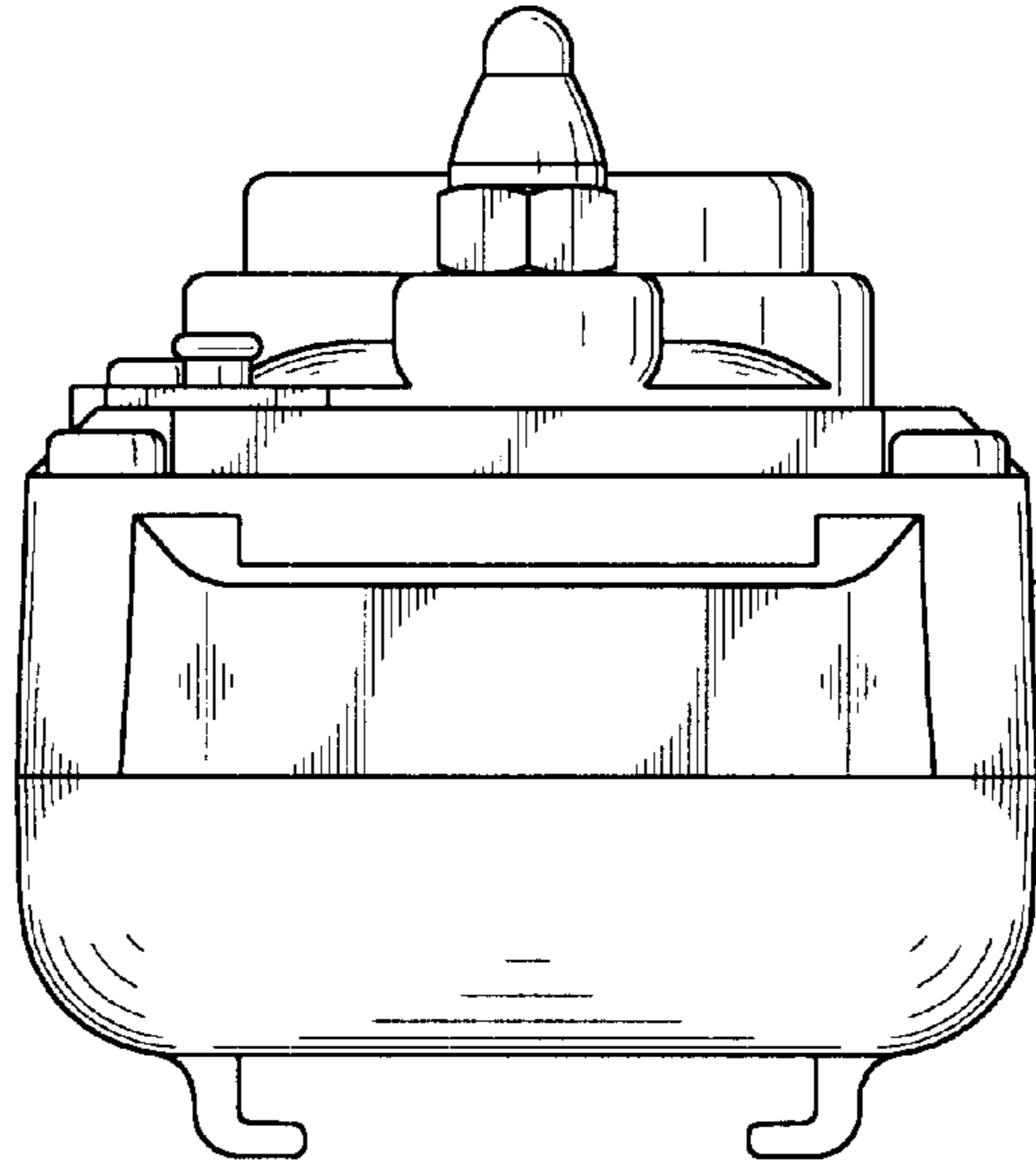


FIG. 5

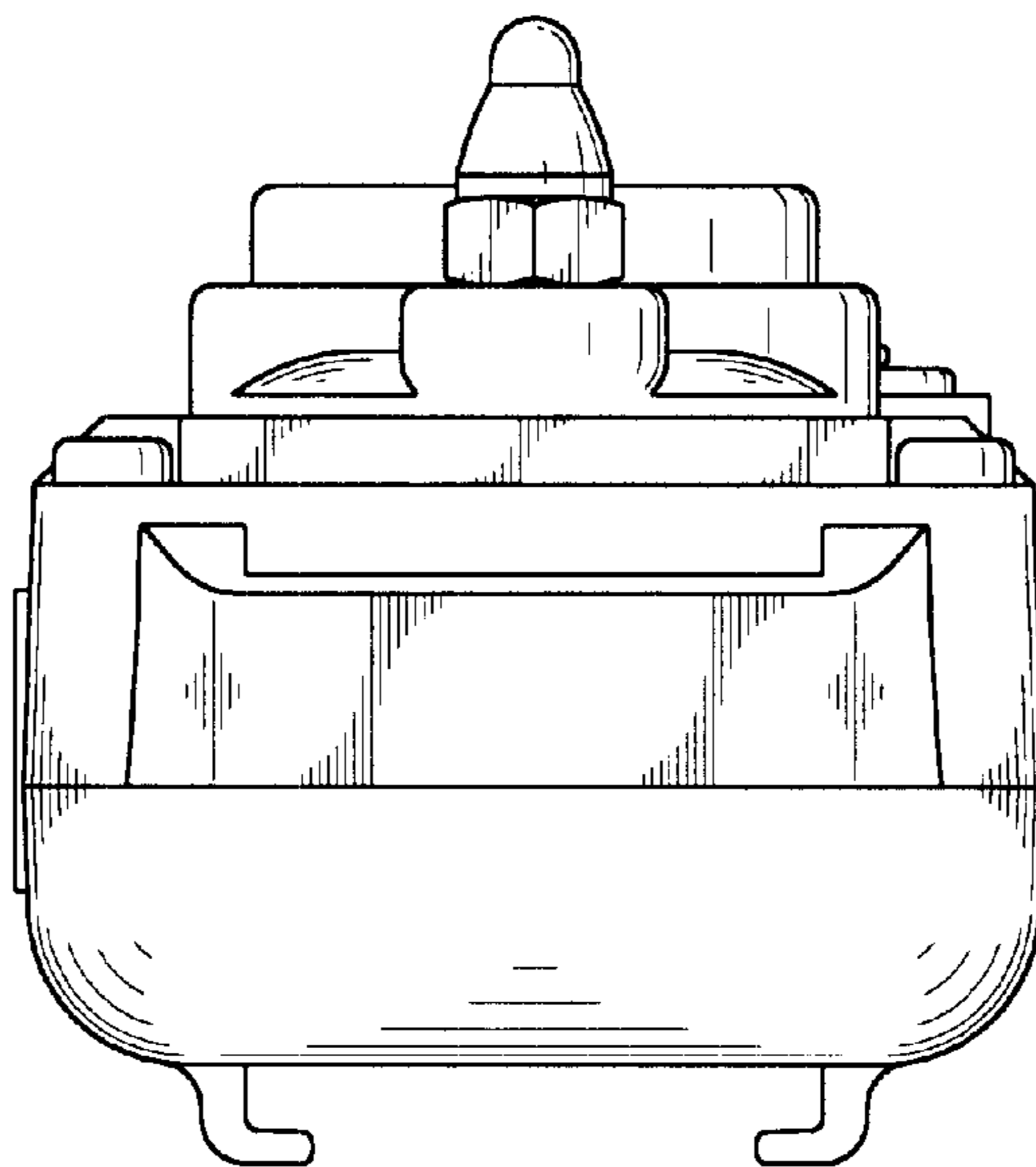


FIG. 6

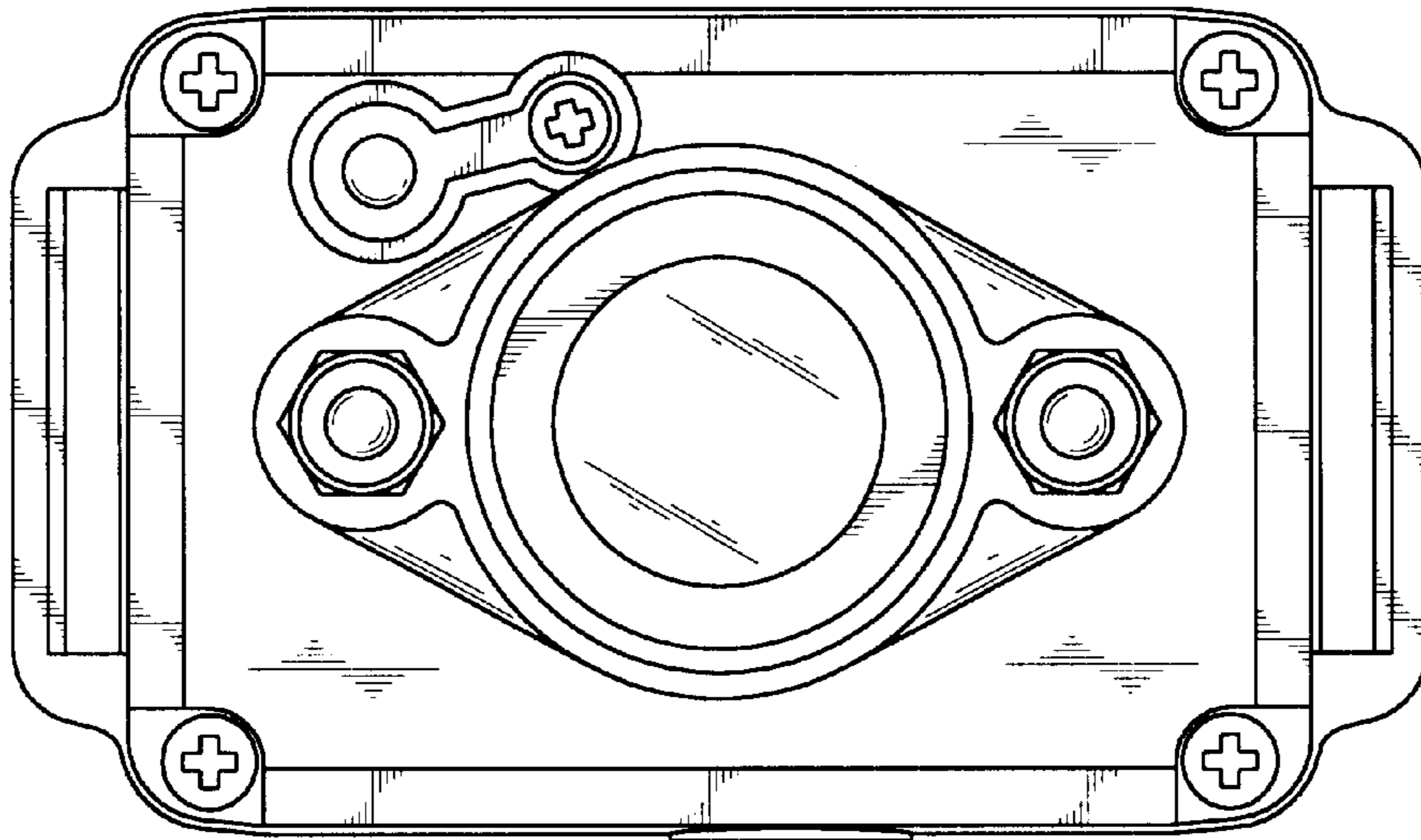


FIG. 7

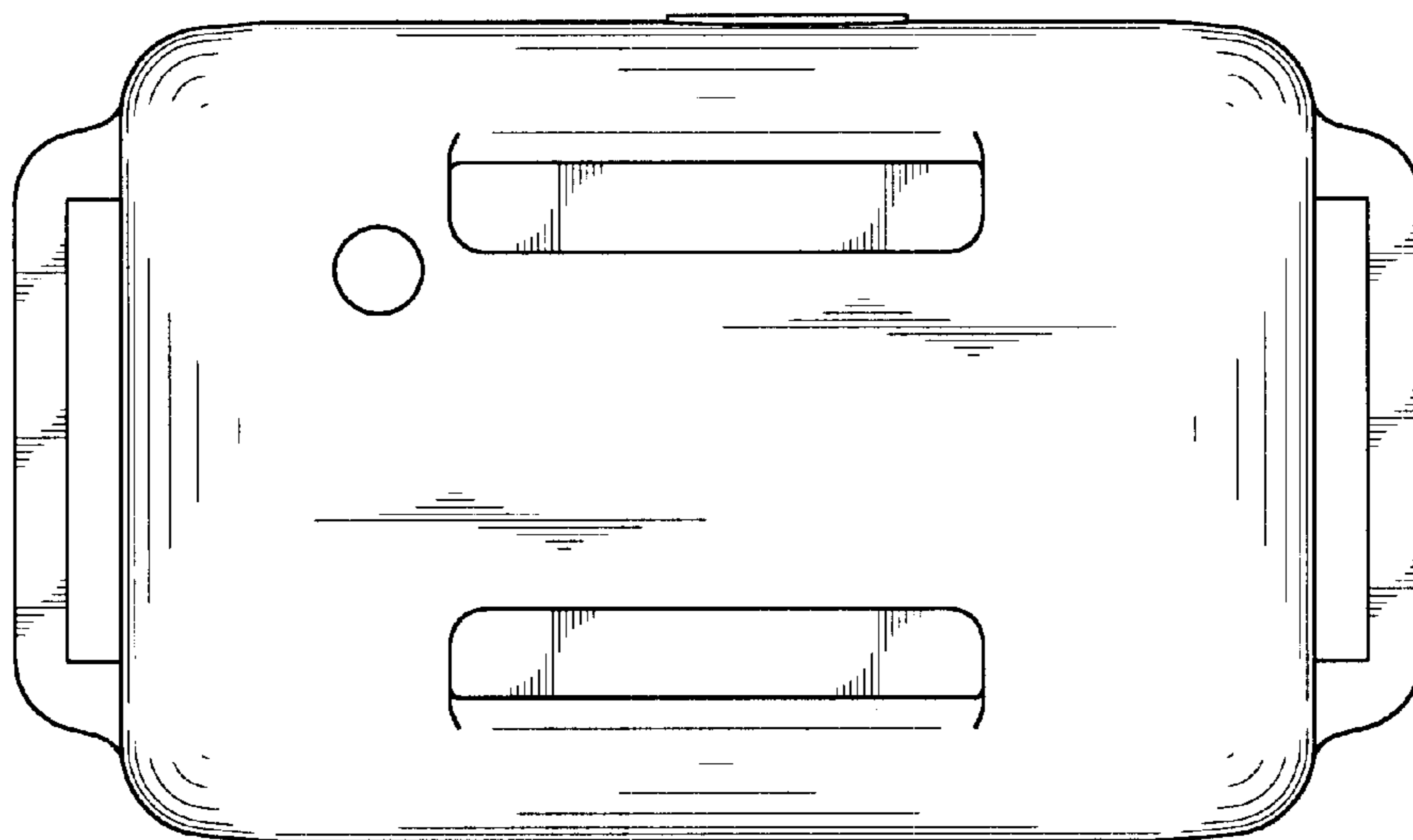


FIG. 8

