



US00D478828S

(12) **United States Design Patent**  
**Yang et al.**

(10) **Patent No.:** **US D478,828 S**

(45) **Date of Patent:** **\*\* Aug. 26, 2003**

(54) **SECURITY TAG**

(75) Inventors: **Xiaohui Yang**, Cupertino, CA (US);  
**Arthur Fuss**, Studio City, CA (US)

(73) Assignees: **WG Security Products, Inc.**, San Jose,  
CA (US); **EAS Sensor Sense**, Van  
Nuys, CA (US)

(\*\*) Term: **14 Years**

(21) Appl. No.: **29/166,866**

(22) Filed: **Sep. 4, 2002**

(51) **LOC (7) Cl.** ..... **10-05**

(52) **U.S. Cl.** ..... **D10/104**

(58) **Field of Search** ..... D10/104, 106;  
340/572.1-572.8, 686.6, 568.2-568.8, 571,  
539

(56) **References Cited**

**U.S. PATENT DOCUMENTS**

5,428,875 A	7/1995	Nguyen et al.	.....	24/704.1
D378,578 S	*	3/1997	Eberhardt	..... D10/104
D410,400 S	6/1999	Skjellerup	.....	D10/106
6,246,328 B1	*	6/2001	Parkinson et al.	..... 340/572.1

**OTHER PUBLICATIONS**

“The Tags”, <http://www.maxtag.com/thetags.htm>, Mar. 26, 2002, pp. 1 of 2.

“Universal Surveillance Systems”, <http://www.universalsurveillance.com/>, Mar. 29, 2002, p. 1 of 1.

\* cited by examiner

*Primary Examiner*—Antoine Duval Davis

(74) *Attorney, Agent, or Firm*—Haverstock & Owens LLP

(57) **CLAIM**

The ornamental design for security tag, as shown and described.

**DESCRIPTION**

FIG. 1 is a top view of a security tag showing of our new design;

FIG. 2 is a bottom view of a security tag thereof;

FIG. 3 is a top perspective view of a top portion of a security tag thereof;

FIG. 4 is a front elevation view of a security tag thereof;

FIG. 5 is a front elevation view of an alternative embodiment of a security tag thereof;

FIG. 6 is an additional front elevation view of a security tag thereof;

FIG. 7 is a left side perspective view of a security tag thereof, the right side being a mirror image of the left side;

FIG. 8 is an additional left side perspective view of a security tag thereof, the right side being a mirror image of the left side;

FIG. 9 is an additional left side perspective view of a security tag thereof, the right side being a mirror image of the left side;

FIG. 10 is a bottom view of a top portion of a security tag thereof;

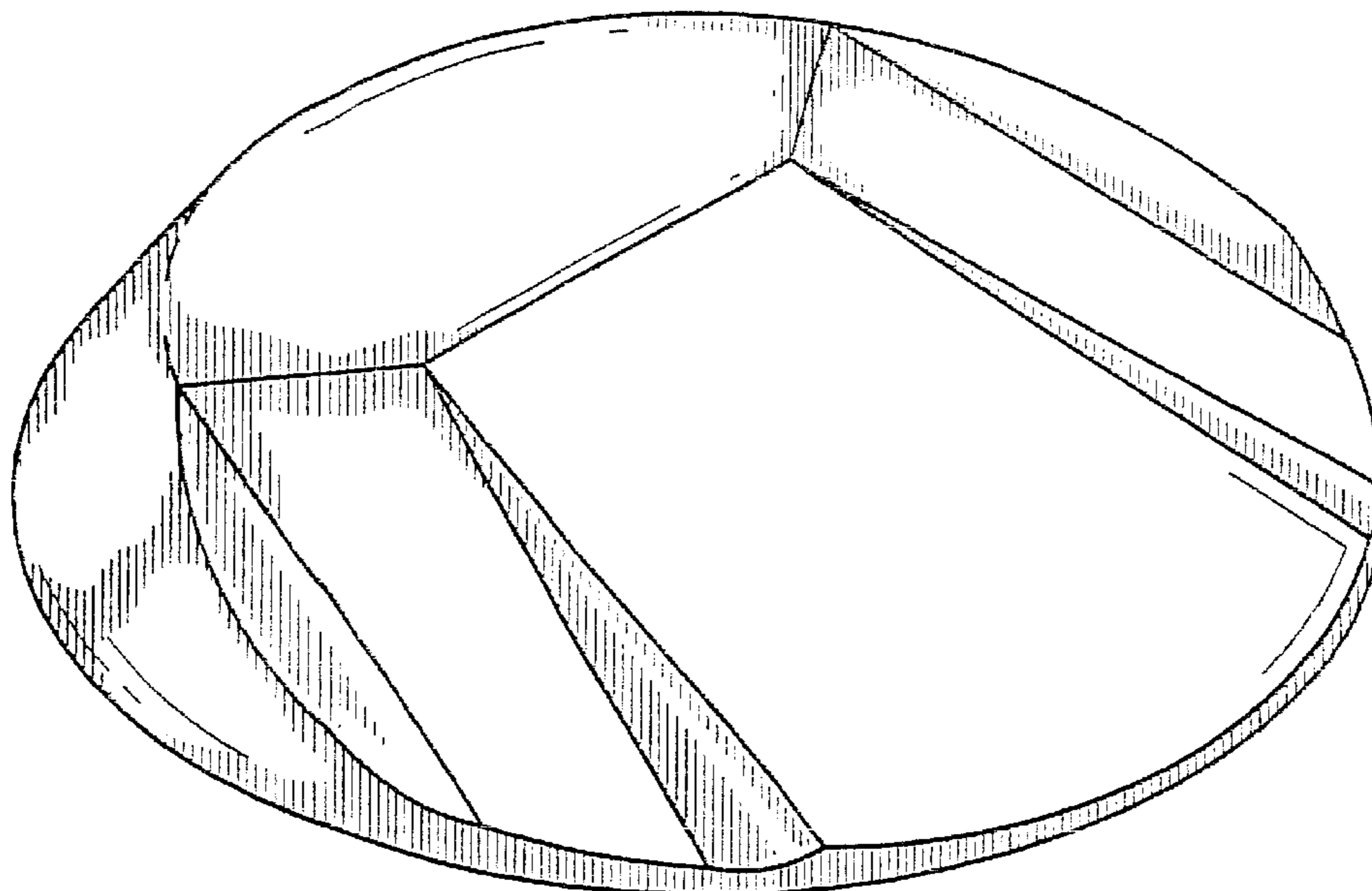
FIG. 11 is a bottom view of an alternative embodiment of a top portion of a security tag thereof;

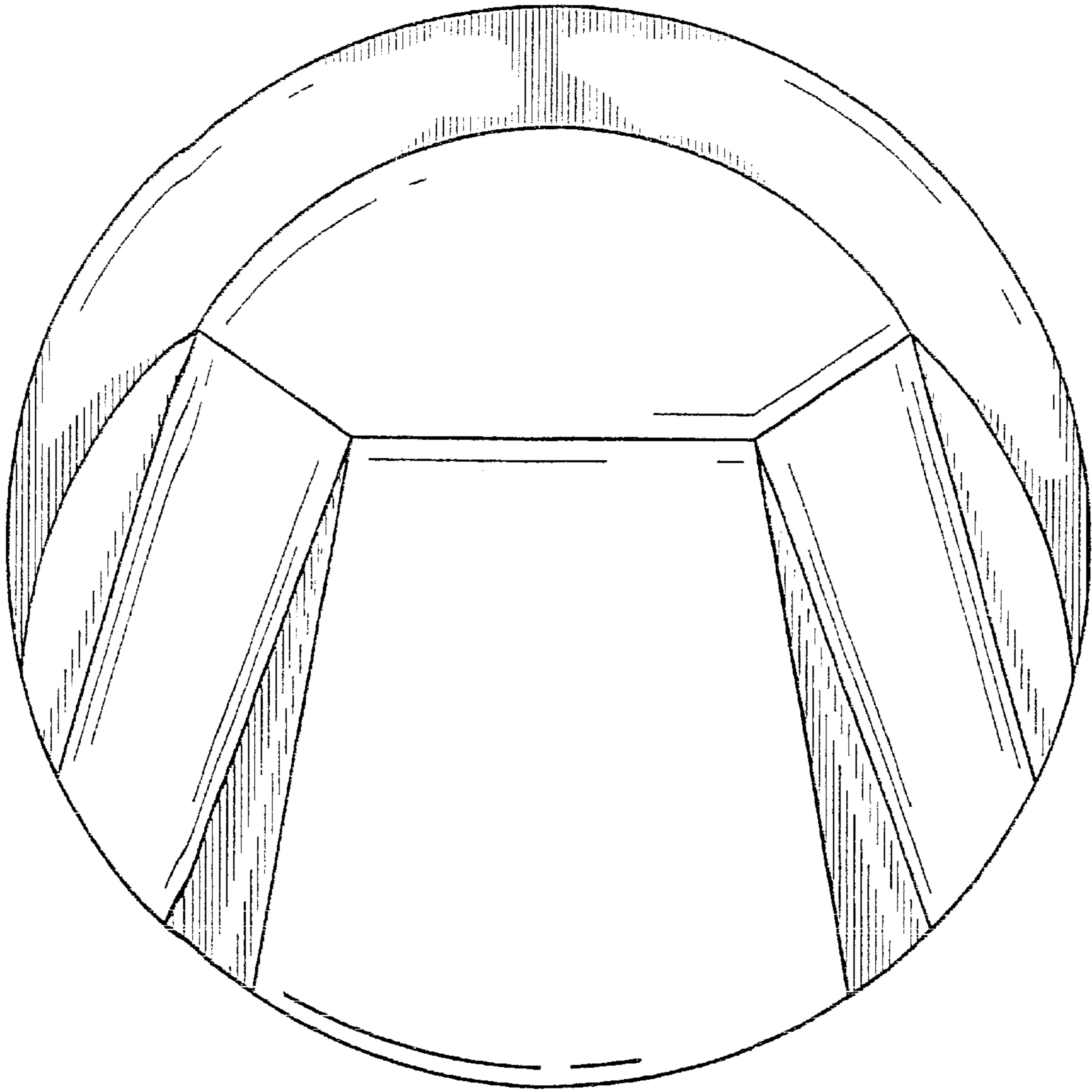
FIG. 12 is a left side elevation view of a security tag thereof, the right side being a mirror image of the left side;

FIG. 13 is a left side elevation view of an alternative embodiment of a security tag thereof, the right side being a mirror image of the left side;

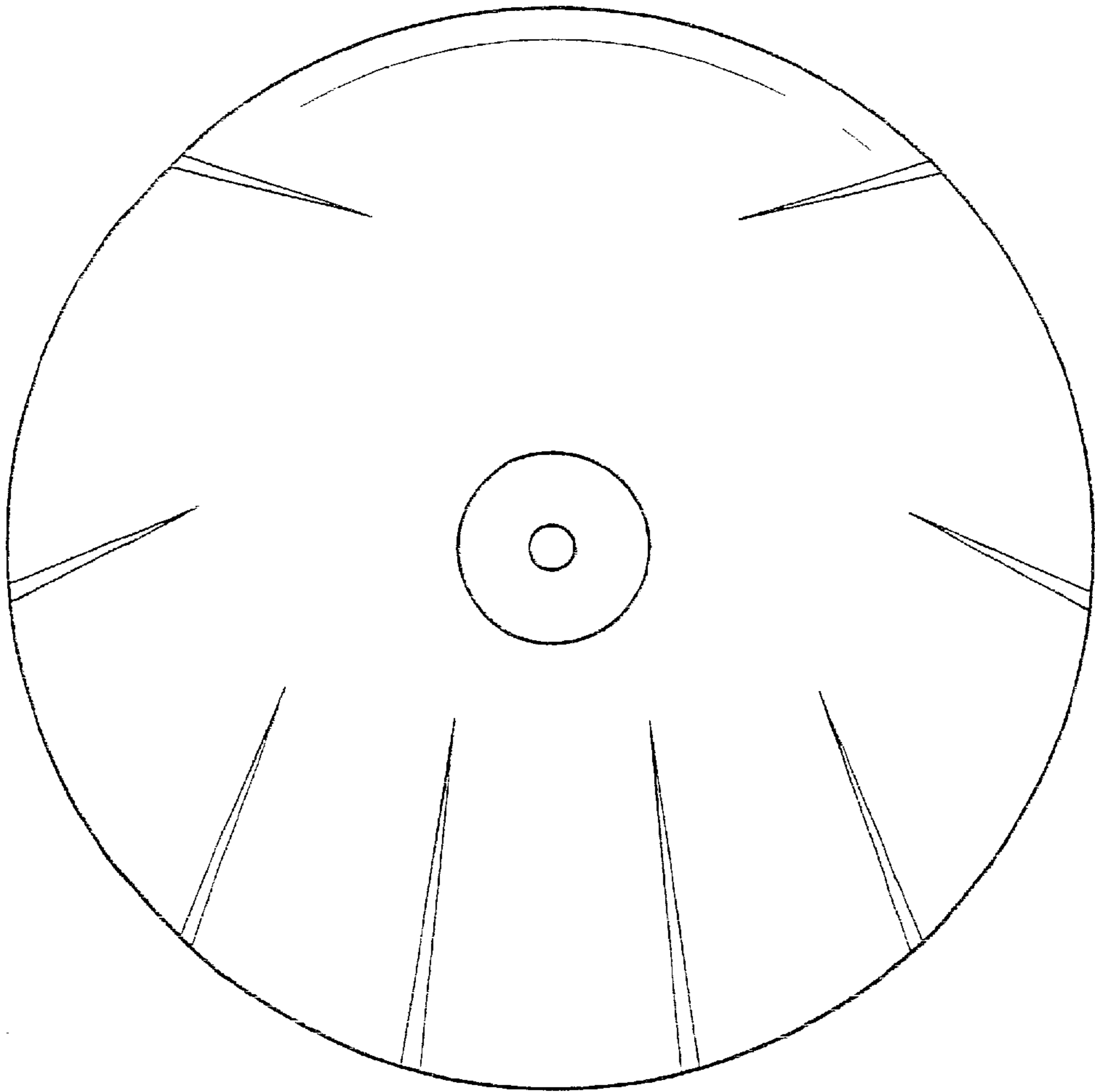
FIG. 14 is a rear elevation view of a security tag thereof; and, FIG. 15 is a rear elevation view of an alternative embodiment of a security tag thereof.

**1 Claim, 15 Drawing Sheets**

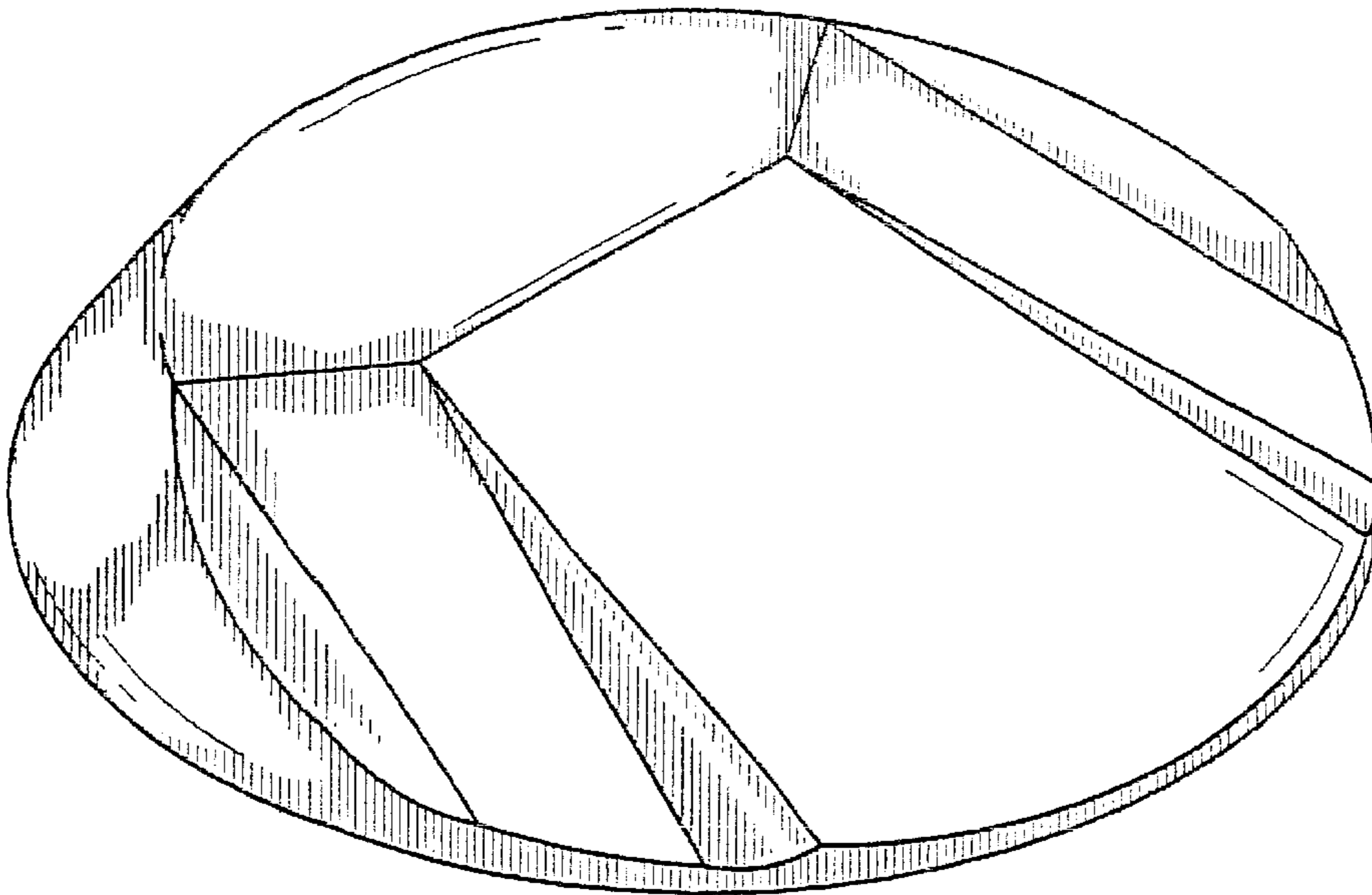




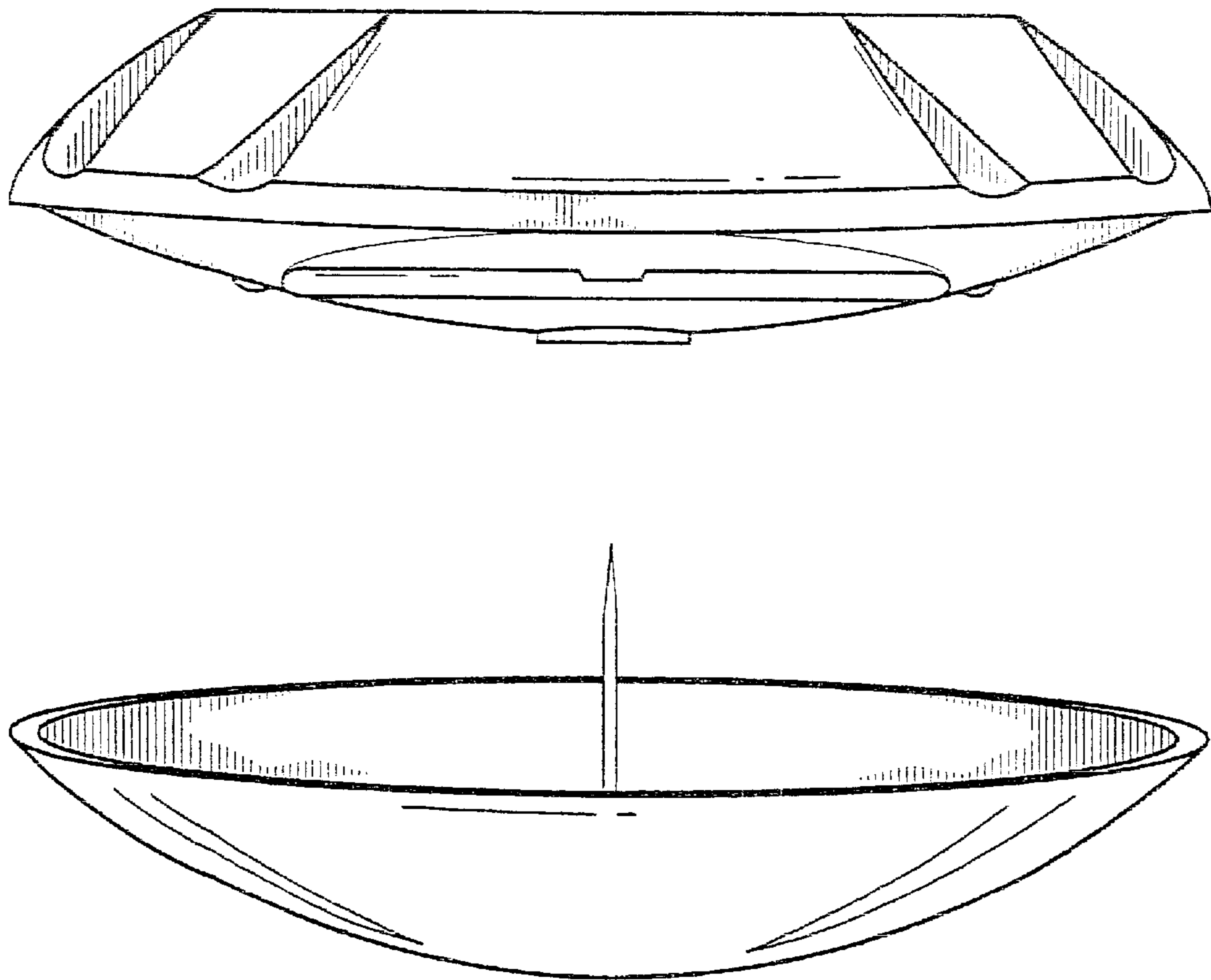
*Fig. 1*



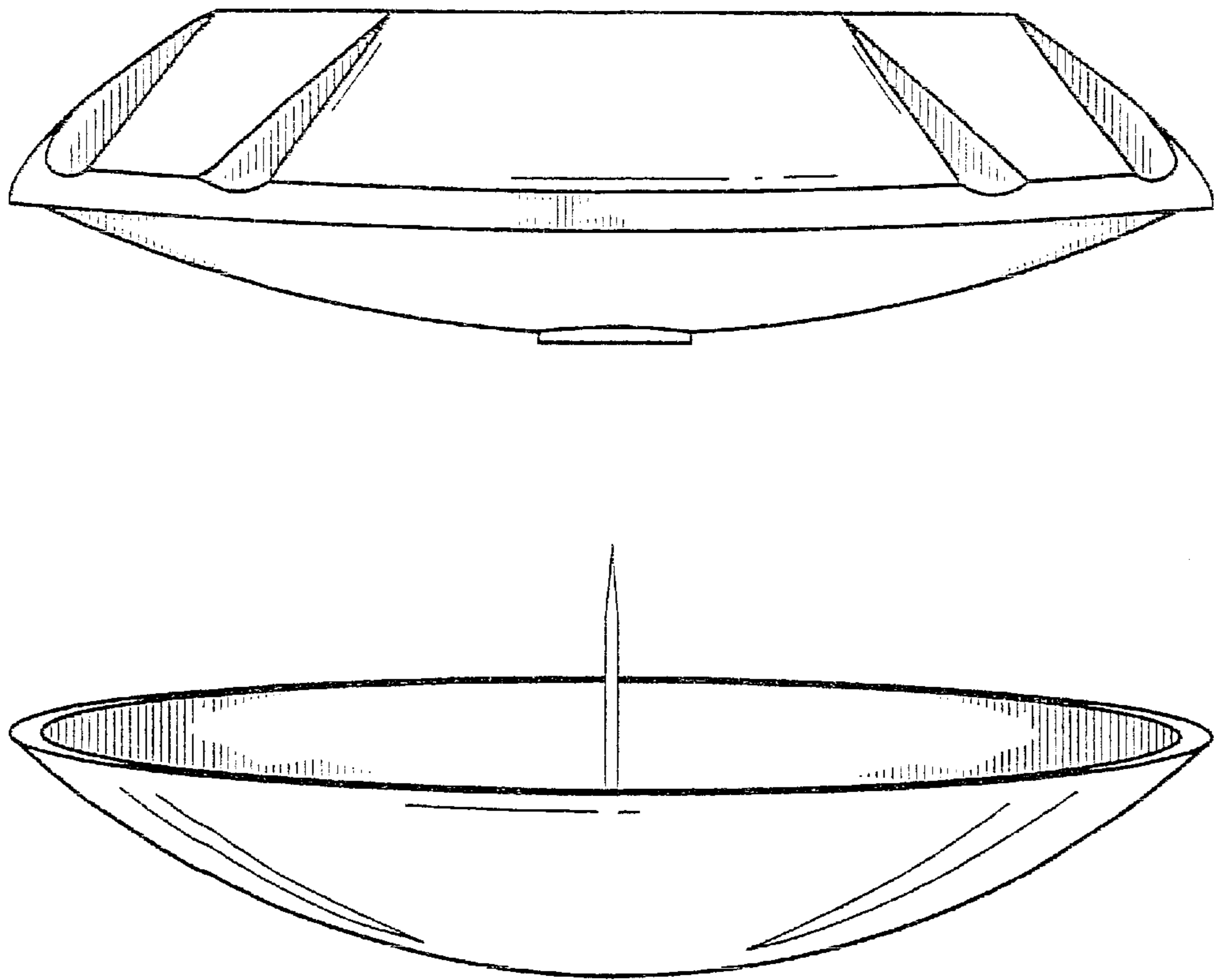
*Fig. 2*



*Fig. 3*

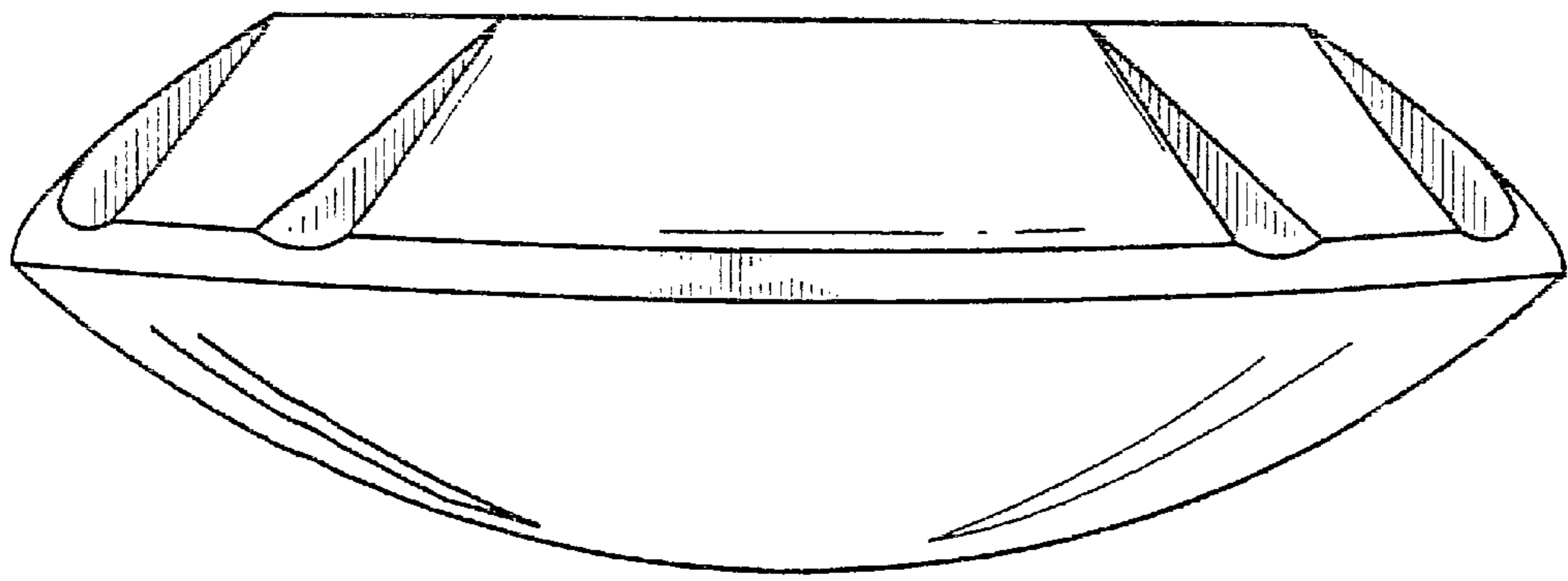


*Fig. 4*

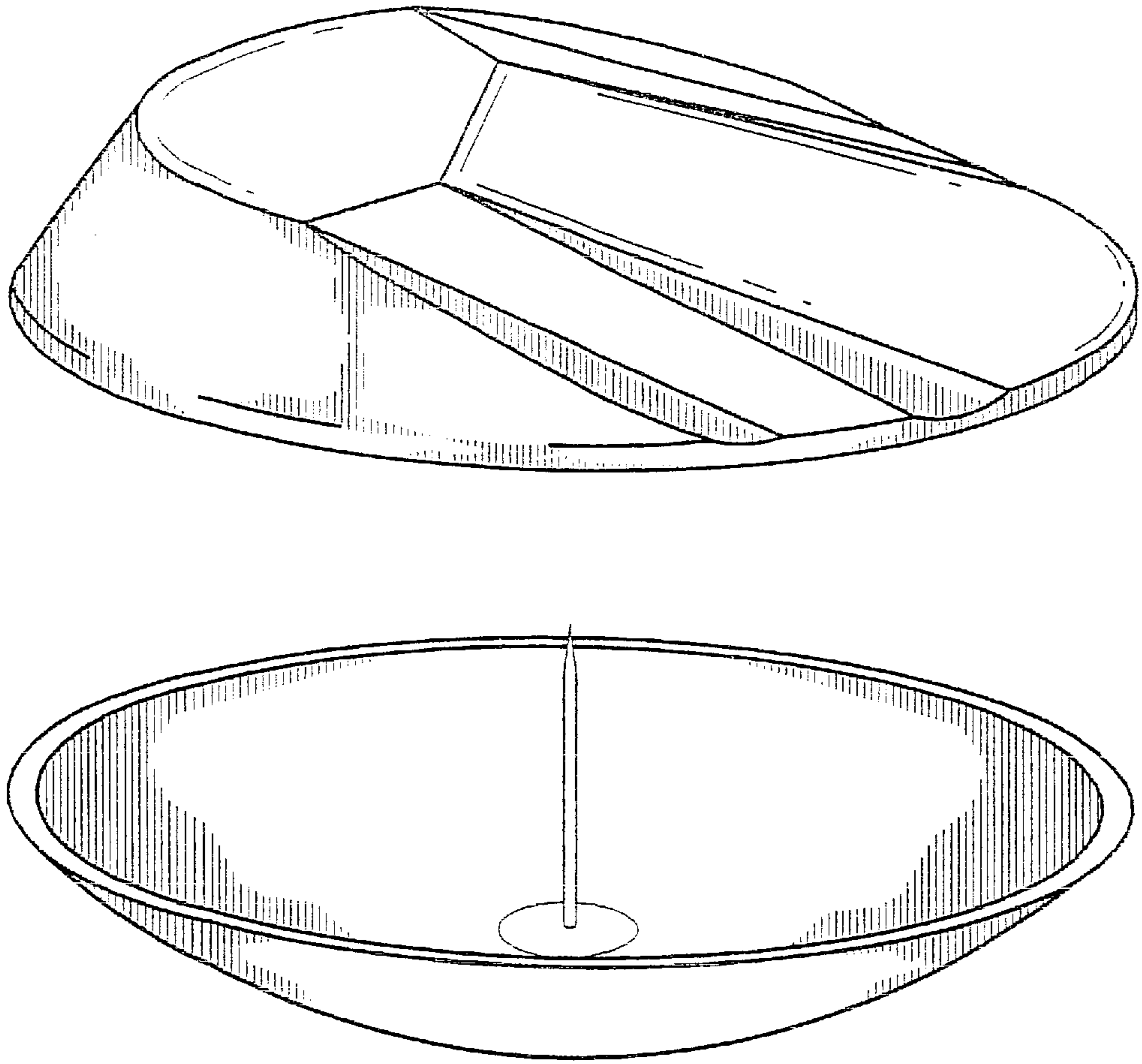


*Fig. 5*



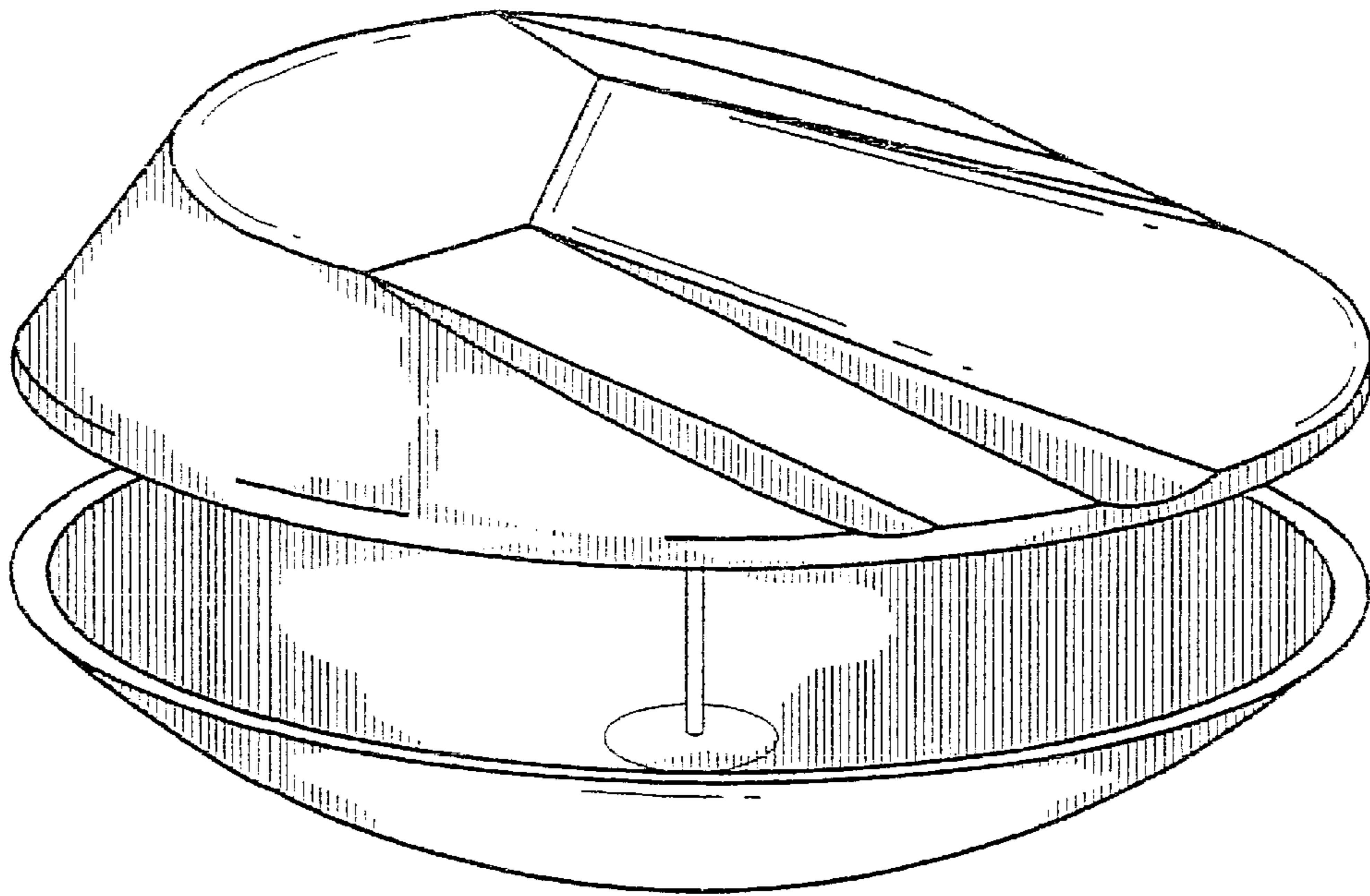


*Fig. 6*

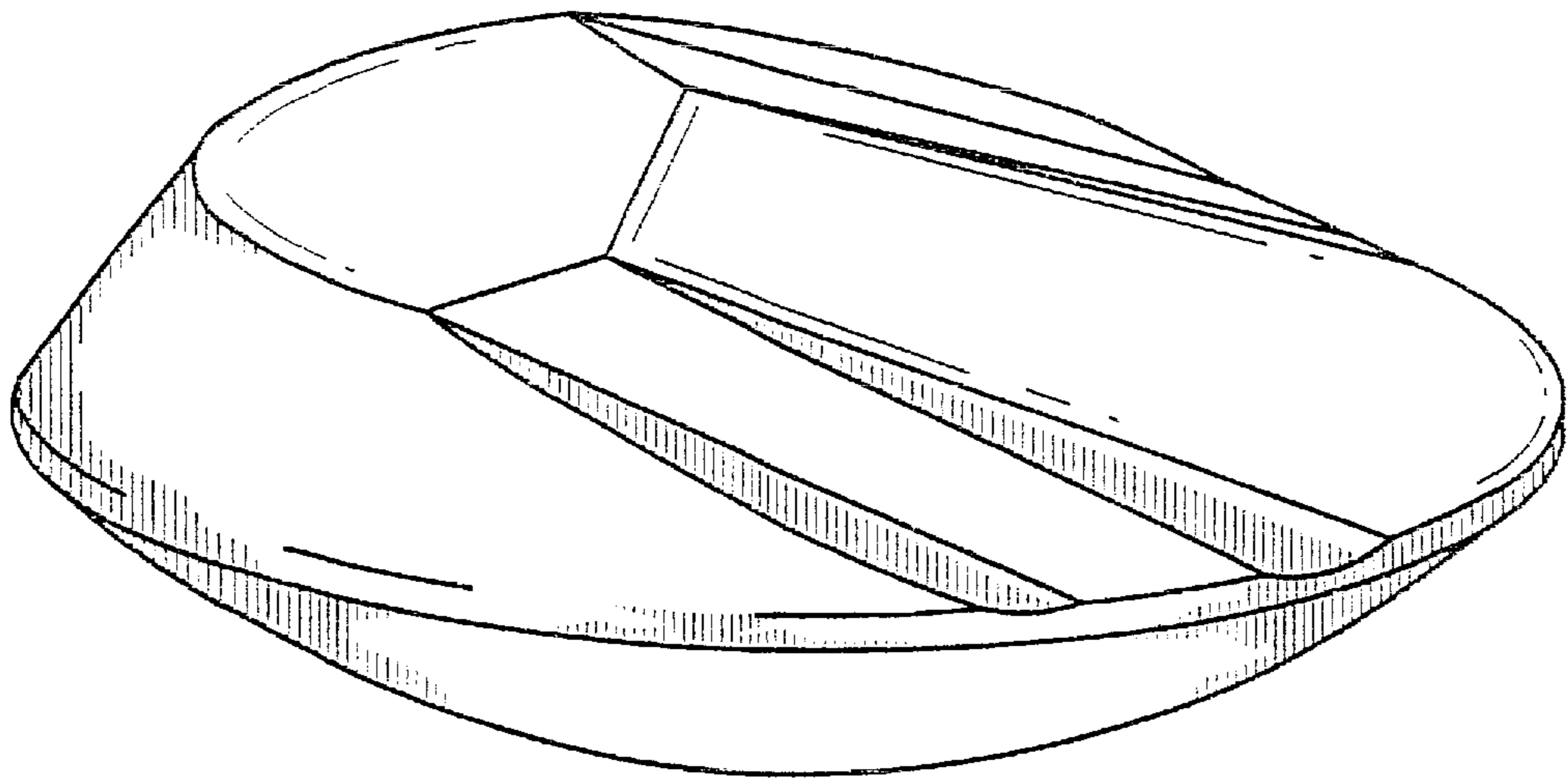


*Fig. 7*

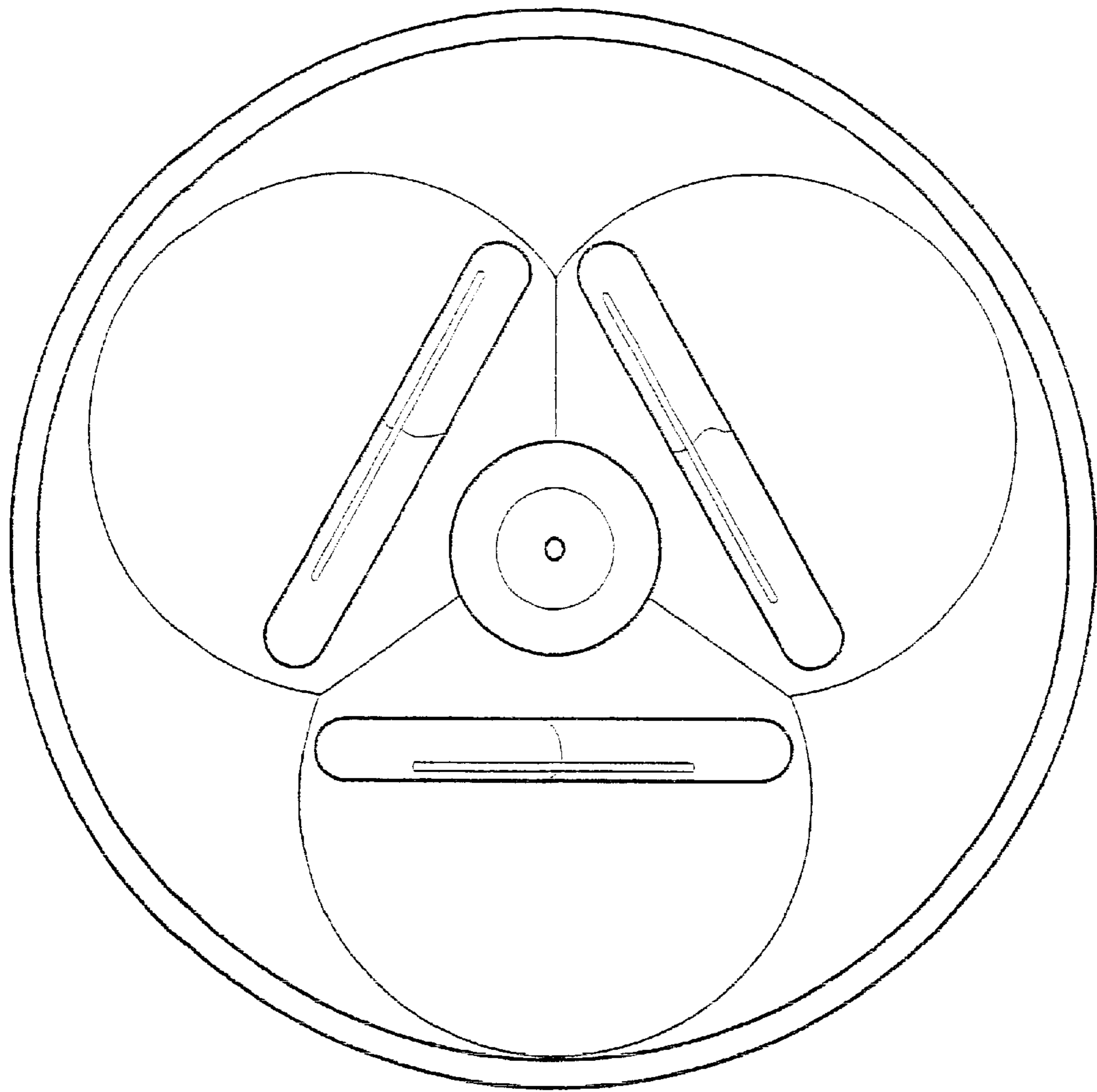




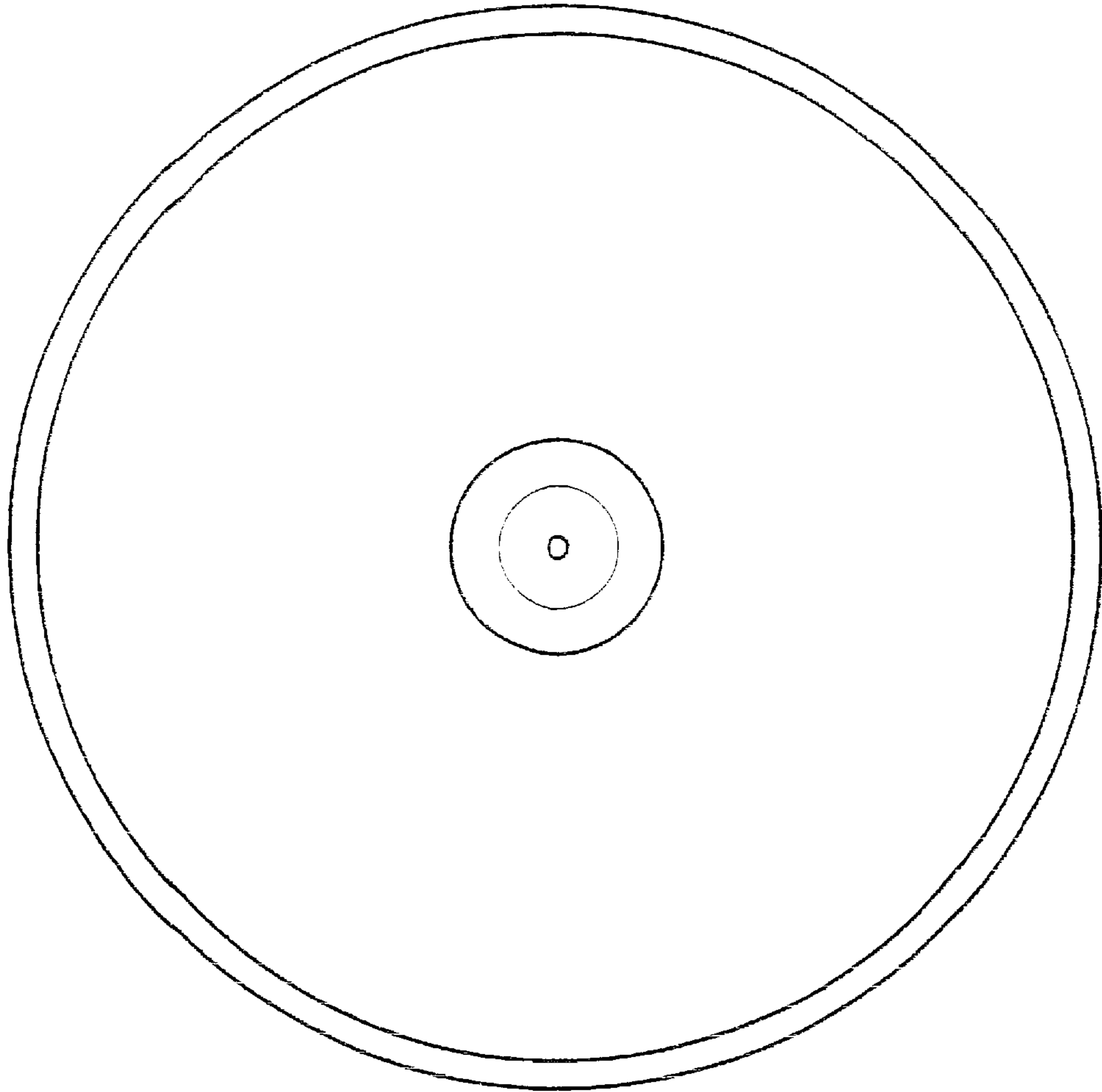
*Fig. 8*



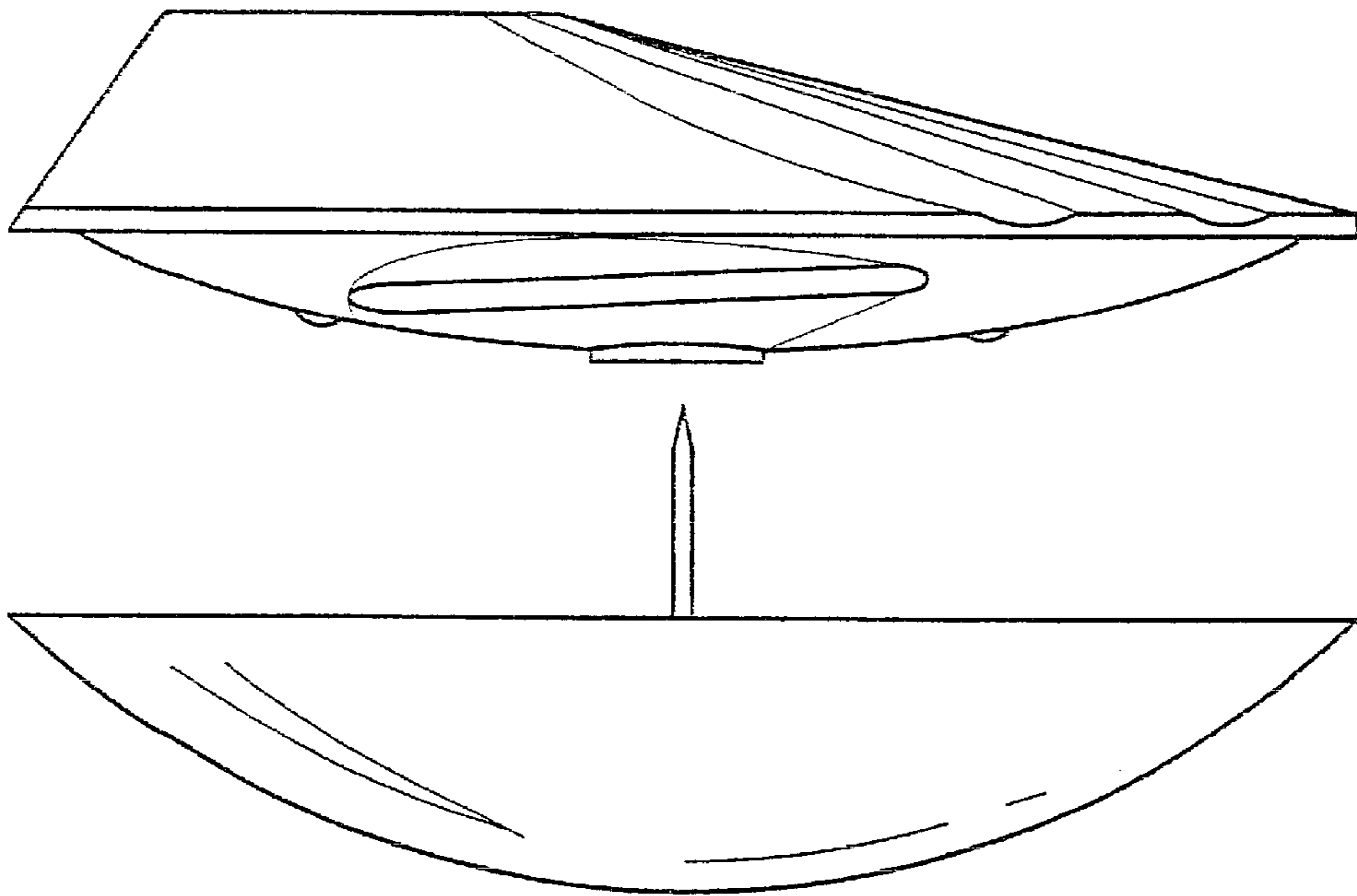
*Fig. 9*



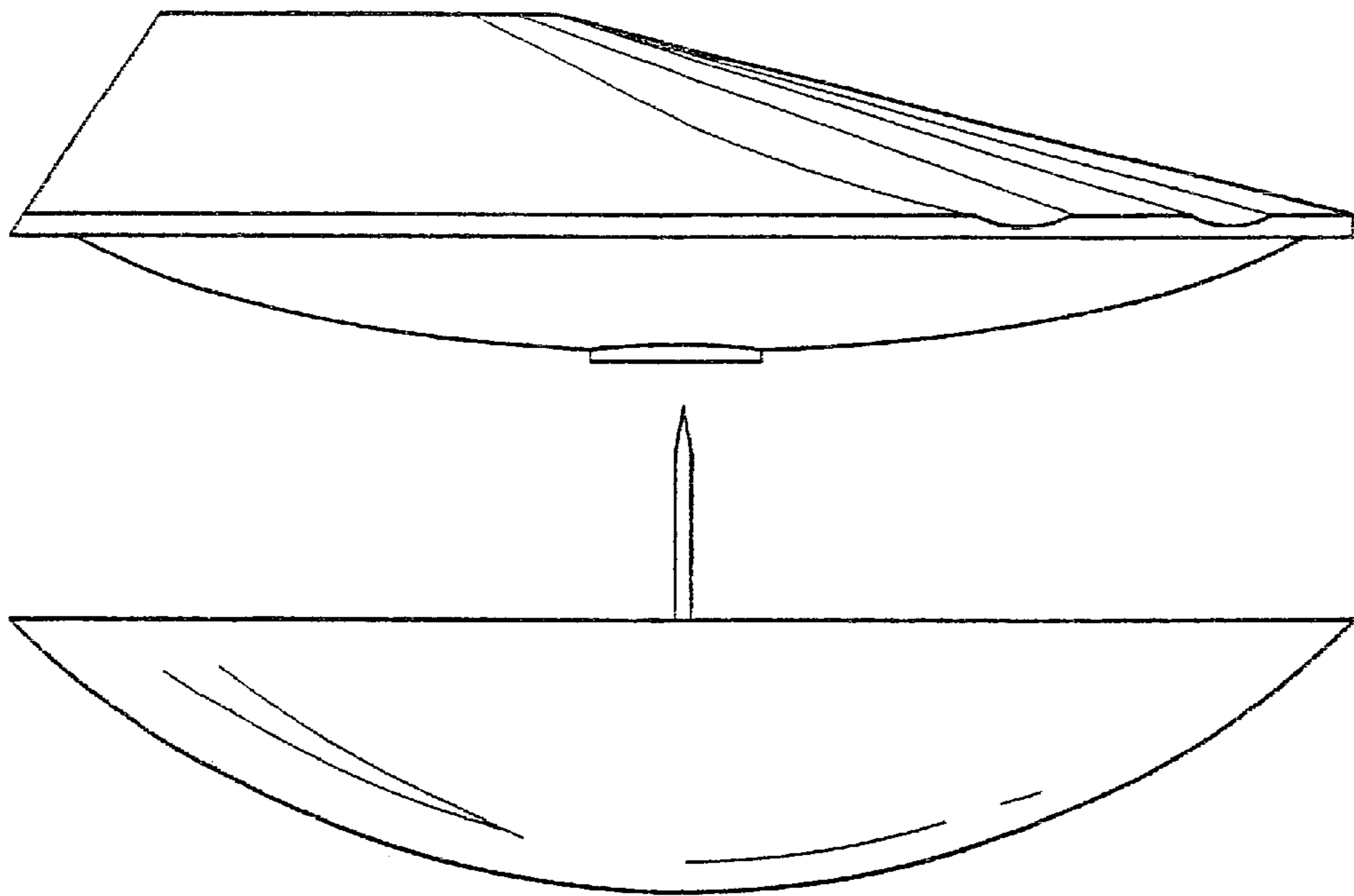
*Fig. 10*



*Fig. 11*

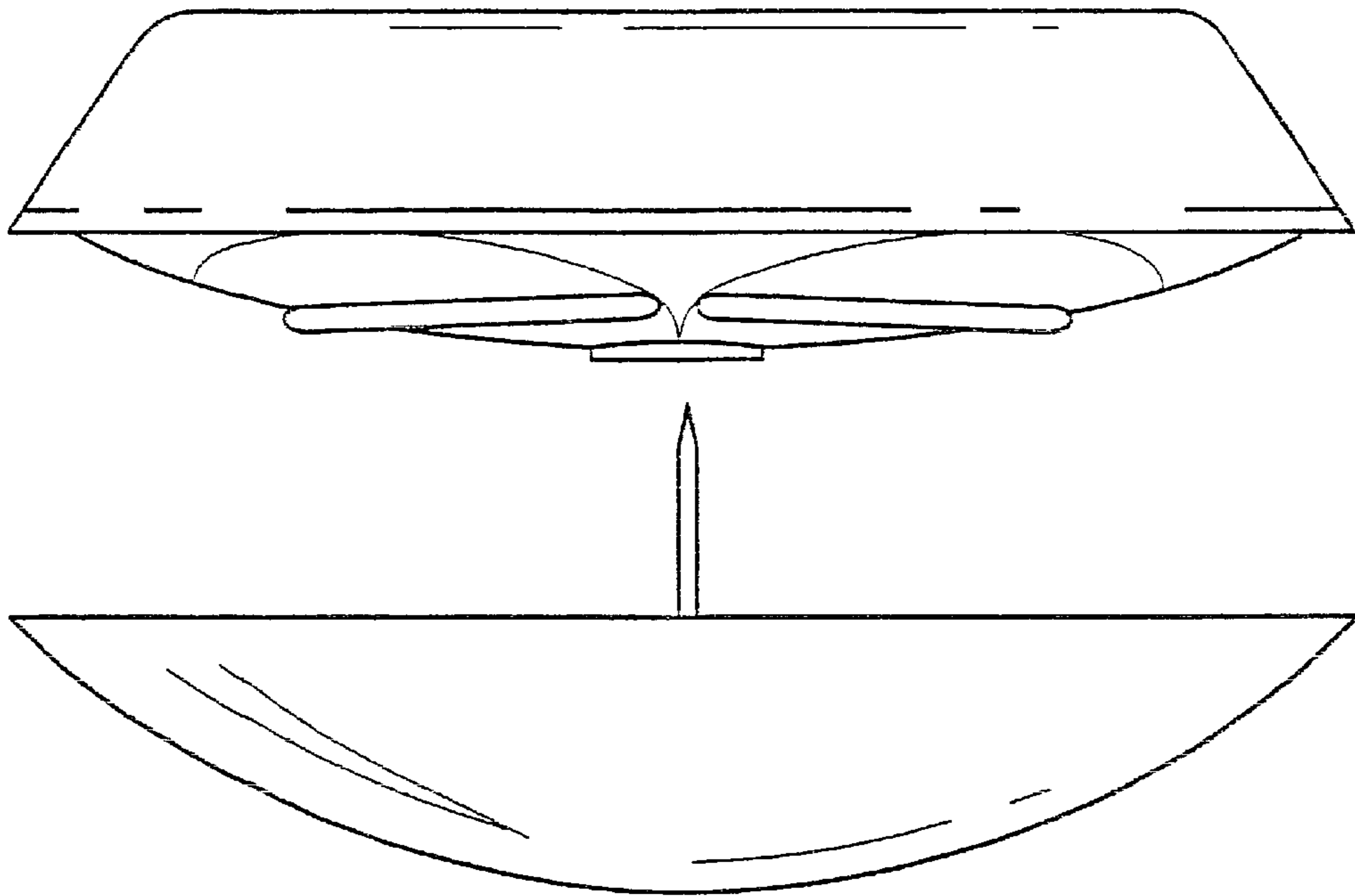


*Fig. 12*

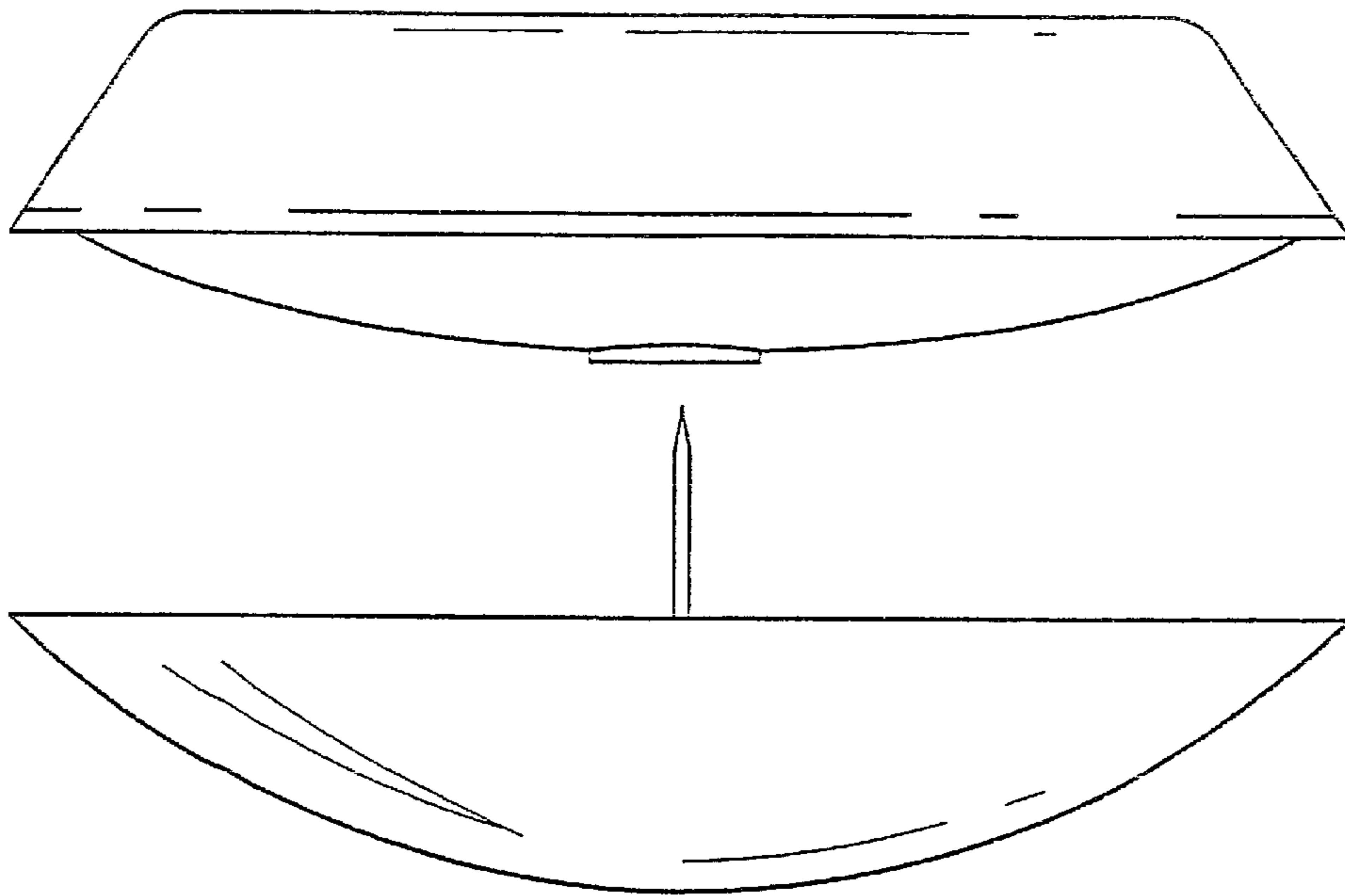


*Fig. 13*





*Fig. 14*



*Fig. 15*