



US00D478827S

(12) **United States Design Patent**
Ayer

(10) **Patent No.:** **US D478,827 S**

(45) **Date of Patent:** **** Aug. 26, 2003**

(54) **LAMINAR FLOW DEVICE**

(75) Inventor: **George Ayer**, Concord (CA)

(73) Assignee: **Crystal Fountains Inc.**, Concord (CA)

(**) Term: **14 Years**

(21) Appl. No.: **29/165,562**

(22) Filed: **Aug. 14, 2002**

(51) **LOC (7) Cl.** **10-04**

(52) **U.S. Cl.** **D10/96**

(58) **Field of Search** D10/96; 73/202;
138/40, 42, 44, 38, 39; 239/590, 590.3

(56) **References Cited**

U.S. PATENT DOCUMENTS

3,566,922 A *	3/1971	Legg et al.	138/39
3,642,213 A *	2/1972	Parkison et al.	239/590
3,851,825 A *	12/1974	Parkison et al.	239/590.3
5,672,821 A *	9/1997	Suzuki	73/202

* cited by examiner

Primary Examiner—Antoine Duval Davis

(74) *Attorney, Agent, or Firm*—Bereskin & Parr

(57) **CLAIM**

The ornamental design for a laminar flow device, as shown and described.

DESCRIPTION

FIG. 1 is perspective view from the front and one side of the laminar flow device;

FIG. 2 is a first side view of the laminar flow device of FIG. 1;

FIG. 3 is a top view of the laminar flow device of FIG. 1;

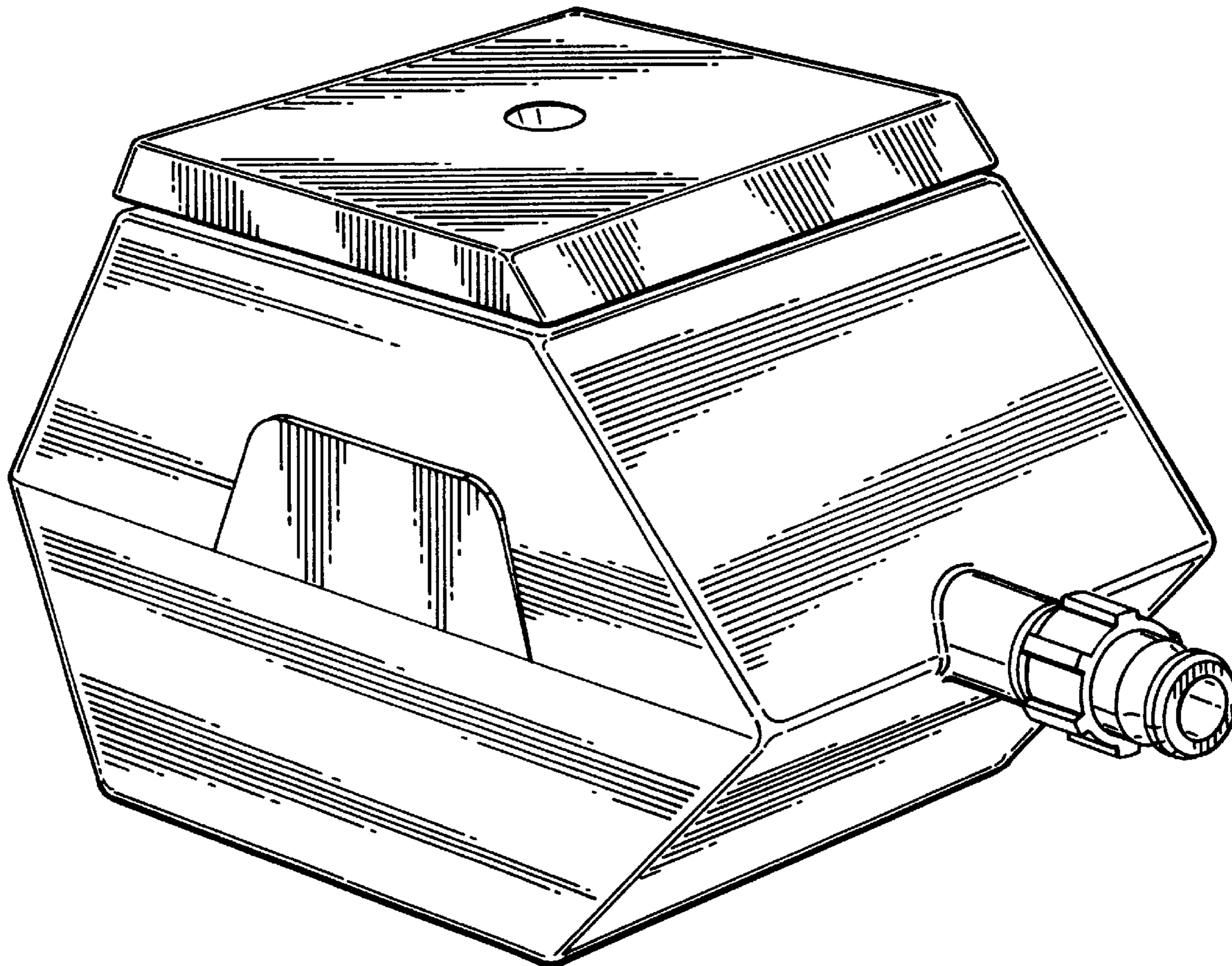
FIG. 4 is a front view of the laminar flow device of FIG. 1;

FIG. 5 is a back view of the laminar flow device of FIG. 1;

FIG. 6 is a second side view of the laminar flow device of FIG. 1; and,

FIG. 7 is a bottom view of the laminar flow device of FIG. 1.

1 Claim, 4 Drawing Sheets



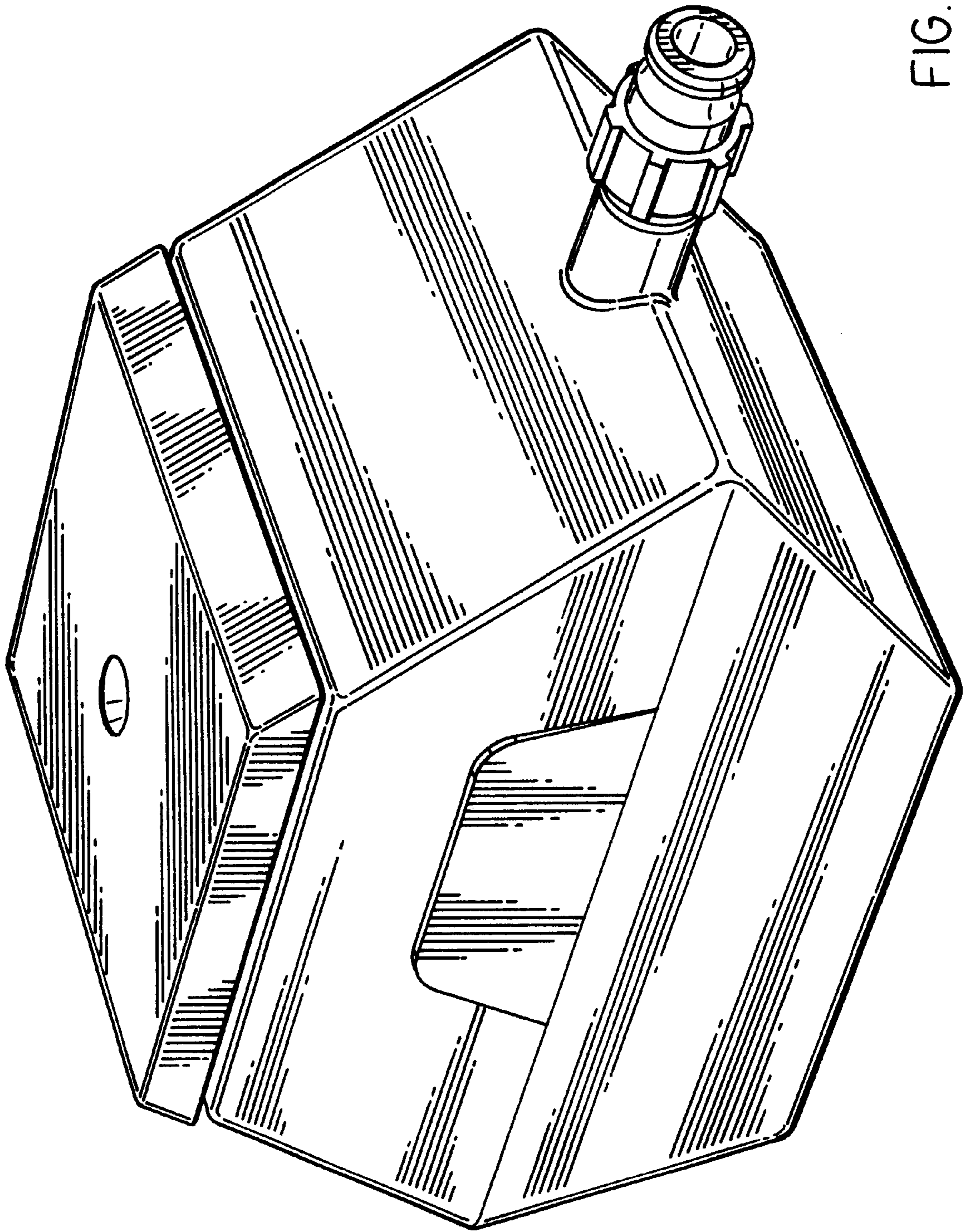


FIG. 1.

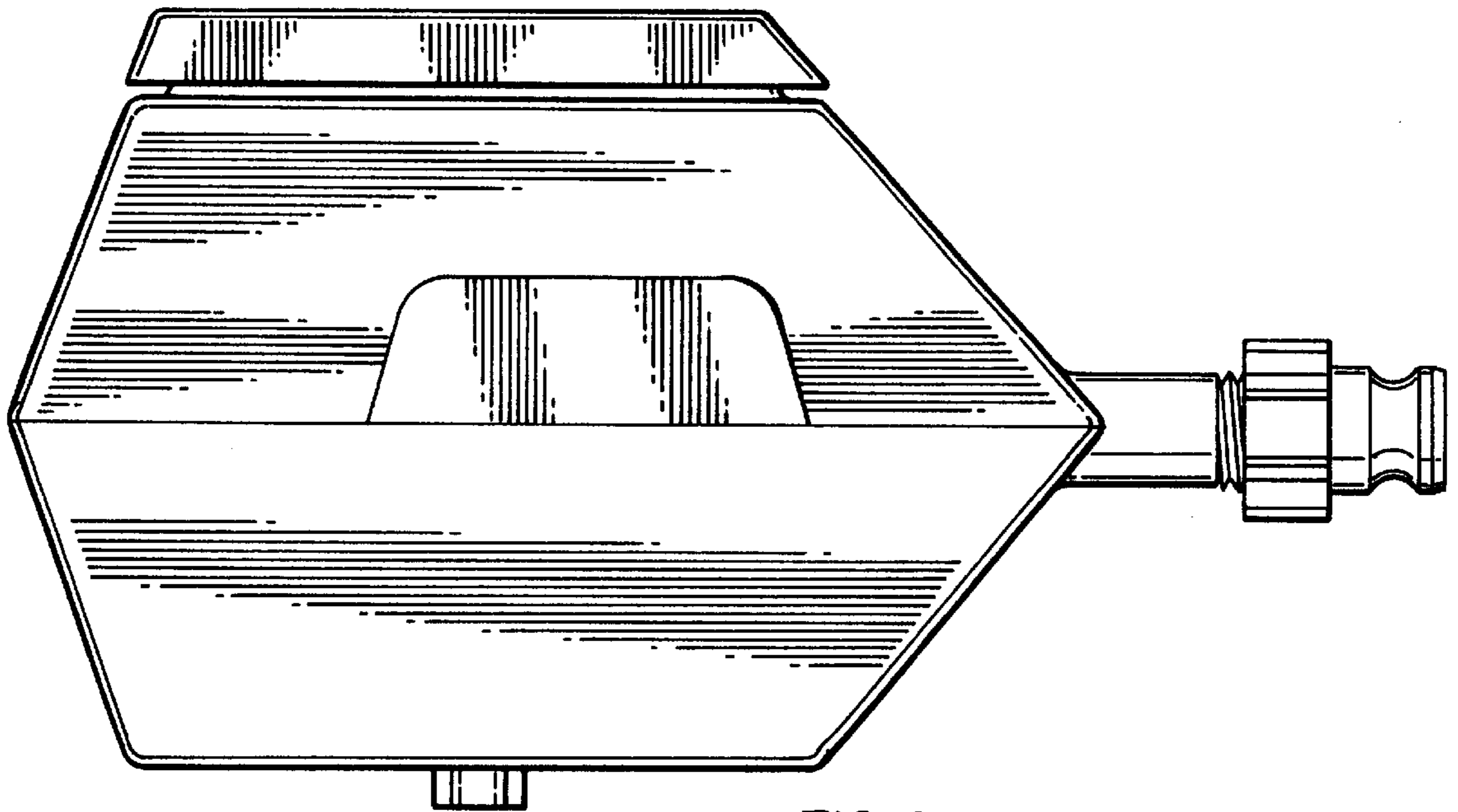


FIG. 2.

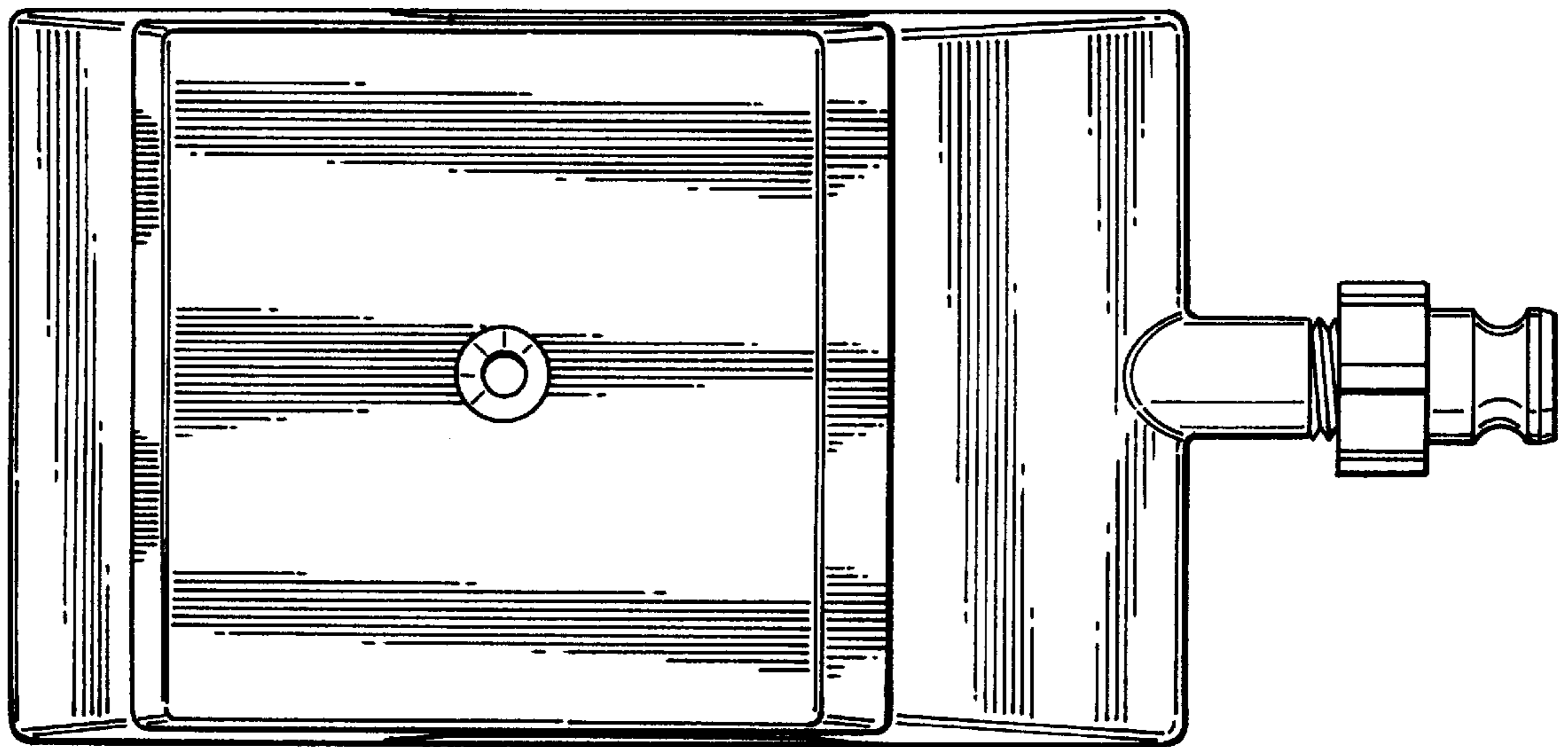


FIG. 3.

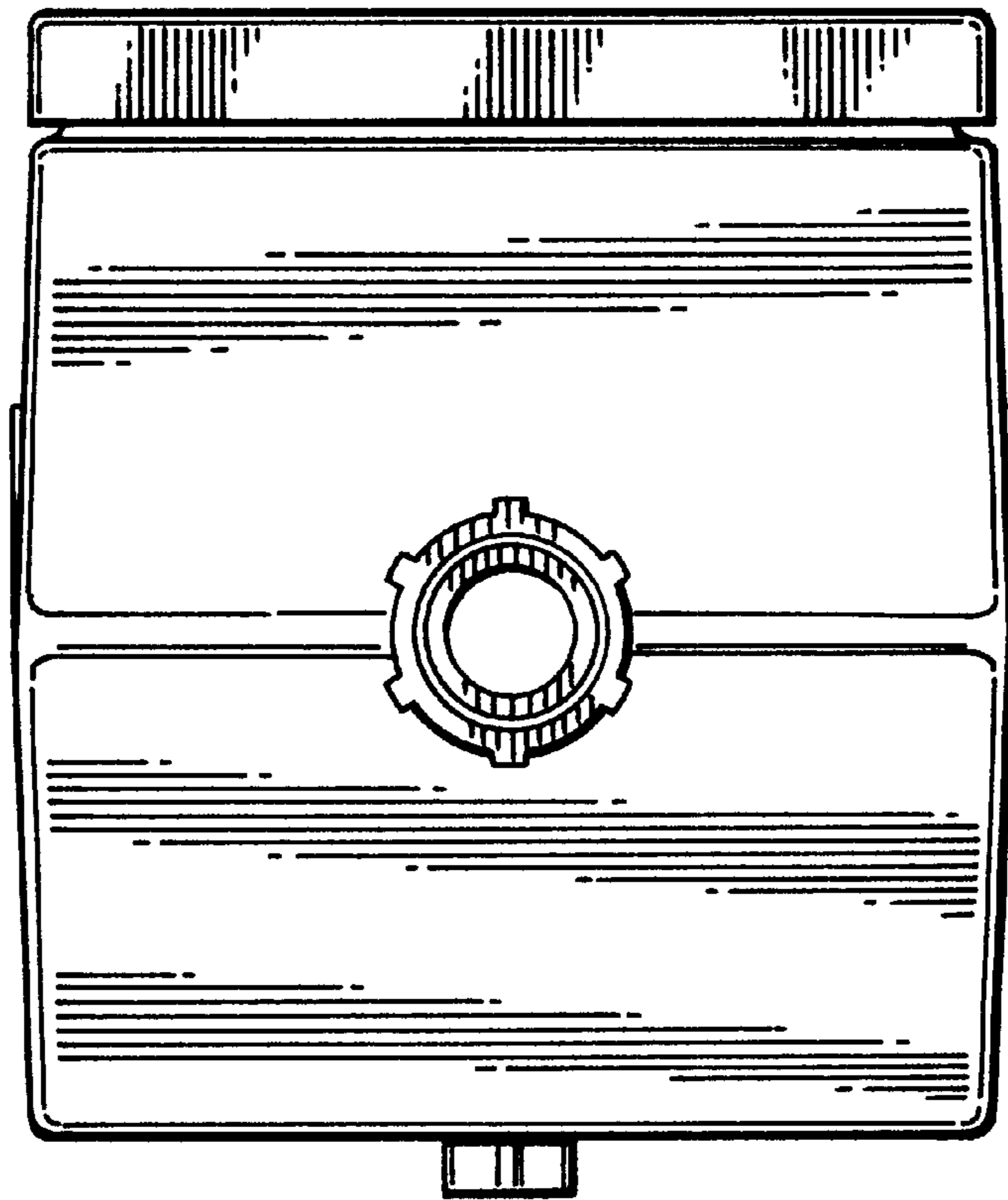


FIG. 4.

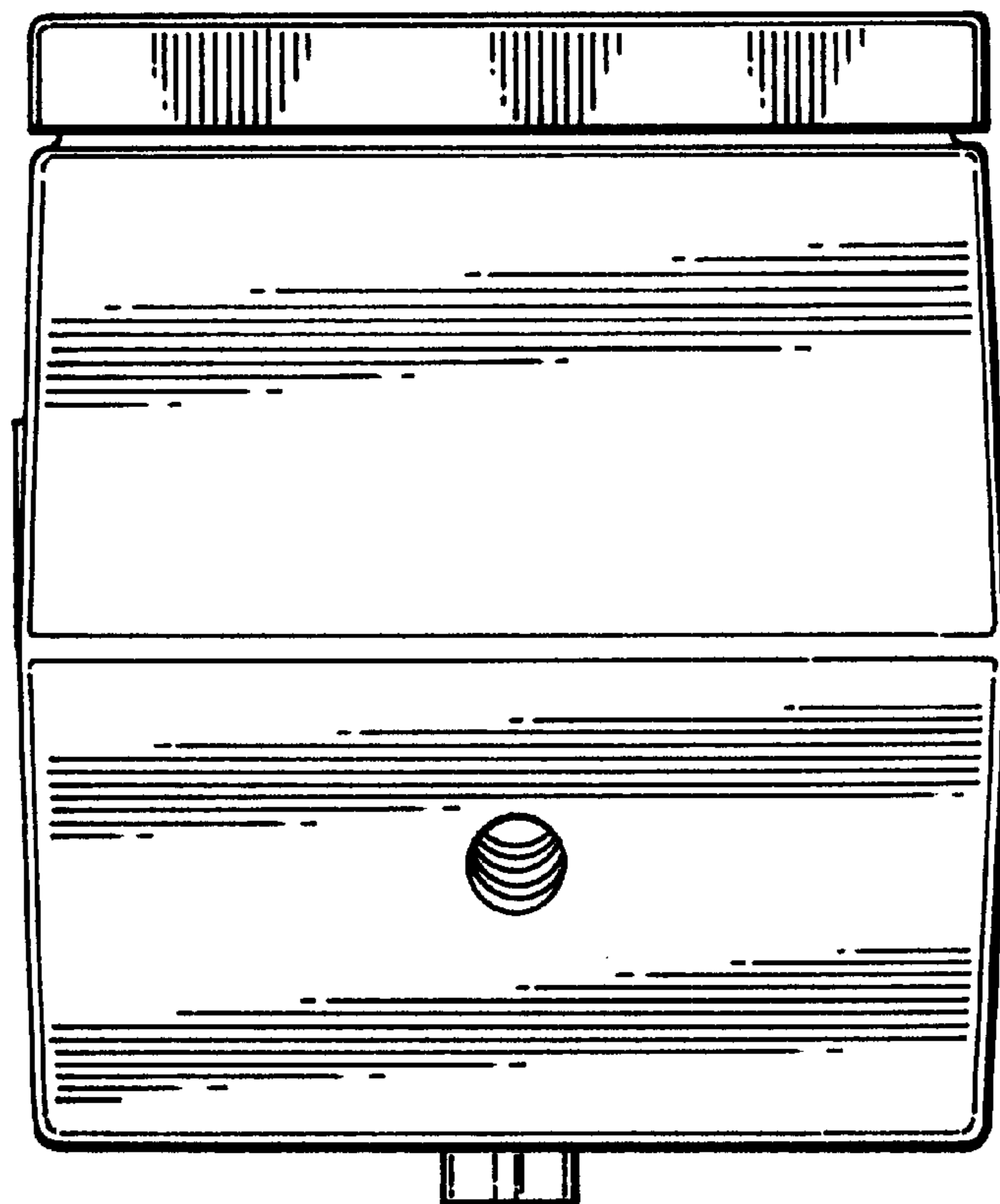


FIG. 5.

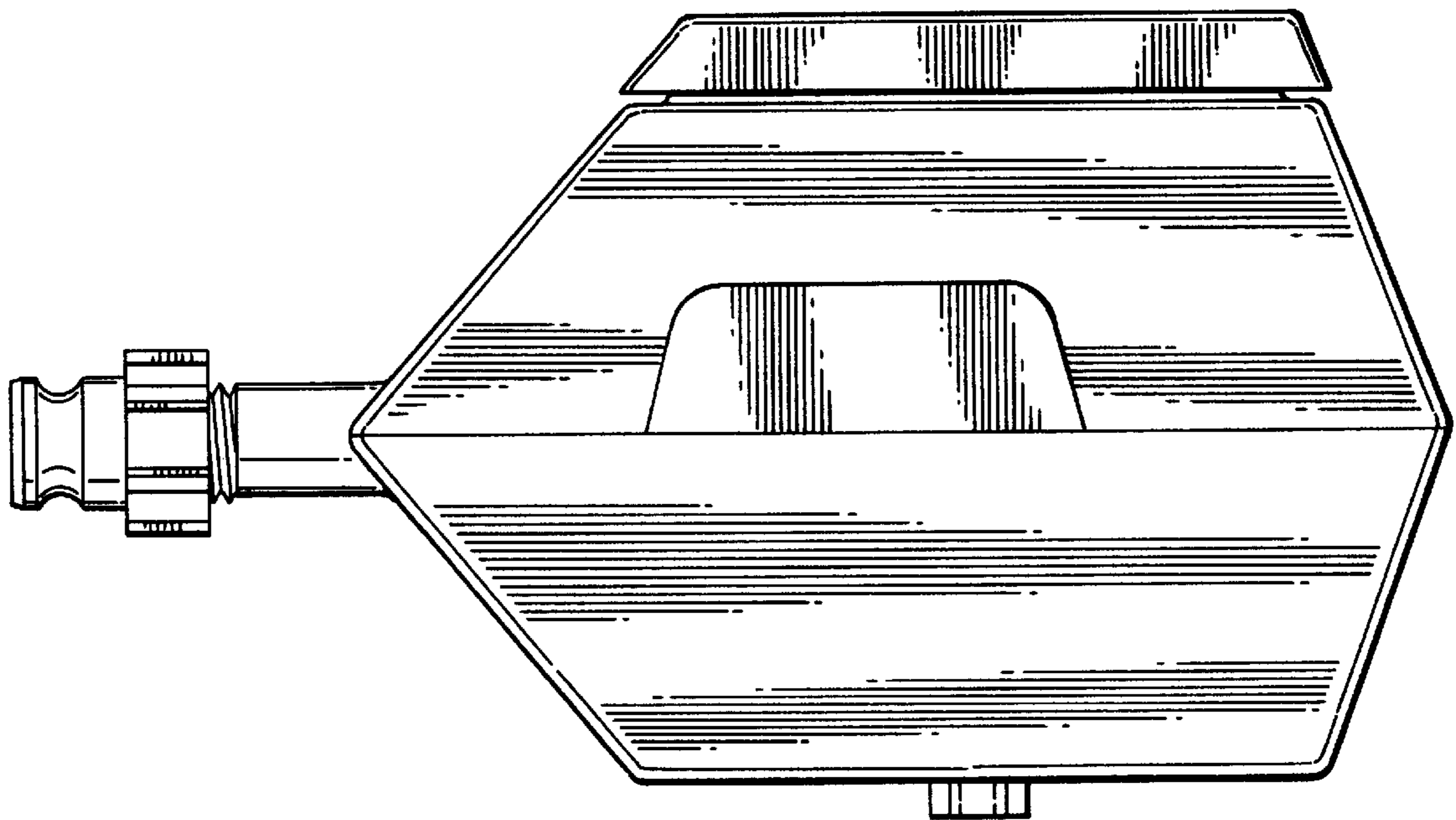


FIG. 6.

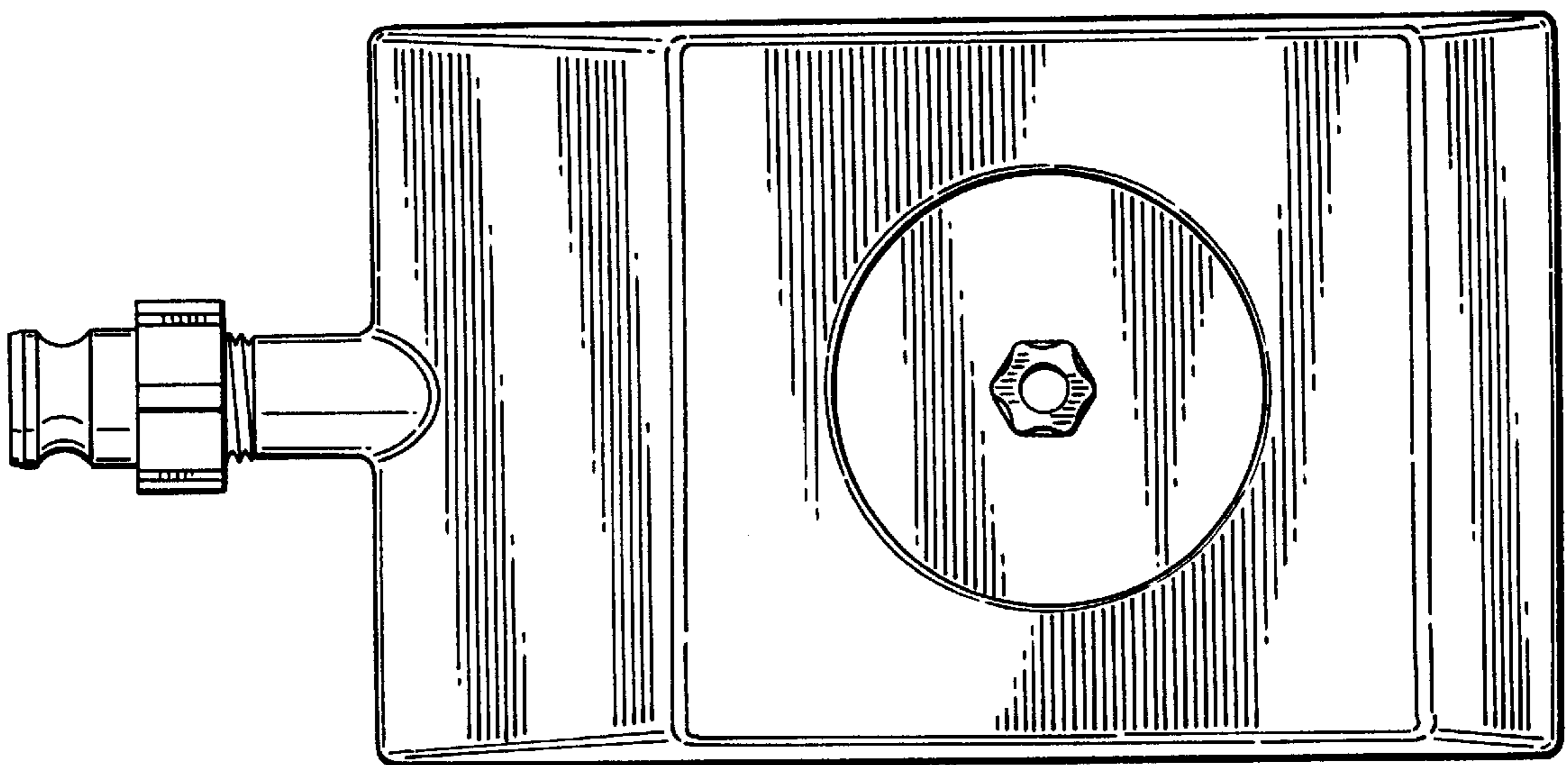


FIG. 7.