



US00D478826S

(12) **United States Design Patent**  
**Barmes**

(10) **Patent No.:** **US D478,826 S**

(45) **Date of Patent:** **\*\* Aug. 26, 2003**

(54) **POCKET SCALE**

(75) Inventor: **Gregory P. Barmes**, Vincennes, IN (US)

(73) Assignee: **Dutch Pipe Ltd.**, Nassau (BS)

(\*\*) Term: **14 Years**

(21) Appl. No.: **29/172,409**

(22) Filed: **Dec. 11, 2002**

(51) **LOC (7) Cl.** ..... **10-04**

(52) **U.S. Cl.** ..... **D10/91**

(58) **Field of Search** ..... D10/91; 177/210 C, 177/238-241, DIG. 3, 25, 30, 210 R, 229

(56) **References Cited**

**U.S. PATENT DOCUMENTS**

D308,345 S	*	6/1990	Nakagawa et al.	.....	D10/91
D325,539 S		4/1992	Storsberg		
D328,715 S		8/1992	Storsberg		
D329,392 S		9/1992	Kurata		
D359,921 S		7/1995	Robertson et al.		
D410,397 S		6/1999	Kurata et al.		
D422,231 S		4/2000	Chiu		
D448,316 S		9/2001	Kesselman		
D448,690 S		10/2001	Day		
D455,092 S		4/2002	Kesselman		
D470,782 S		2/2003	Motomizu		

\* cited by examiner

*Primary Examiner*—Antoine Duval Davis

(74) *Attorney, Agent, or Firm*—Brinks Hofer Gilson & Lione

(57) **CLAIM**

The ornamental design for a pocket scale, as shown and described.

**DESCRIPTION**

FIG. 1 is a top plan view of a pocket scale illustrating the present invention.

FIG. 2 is a side elevation view of the pocket scale of FIG. 1, the opposite side being identical, the portions shown in phantom forming no part of the ornamental design.

FIG. 3 is a bottom plan view of the pocket scale of FIGS. 1 and 2, the portions shown in phantom forming no part of the ornamental design.

FIG. 4 is an end elevation view of the left end of FIGS. 1-3, the portions shown in phantom forming no part of the ornamental design.

FIG. 5 is an end elevation view of the right end of FIGS. 1-3, the portions shown in phantom forming no part of the ornamental design.

FIG. 6 is a top plan view of the pocket scale shown in FIGS. 1-5, a top cover portion thereof being pivoted to an "open" position.

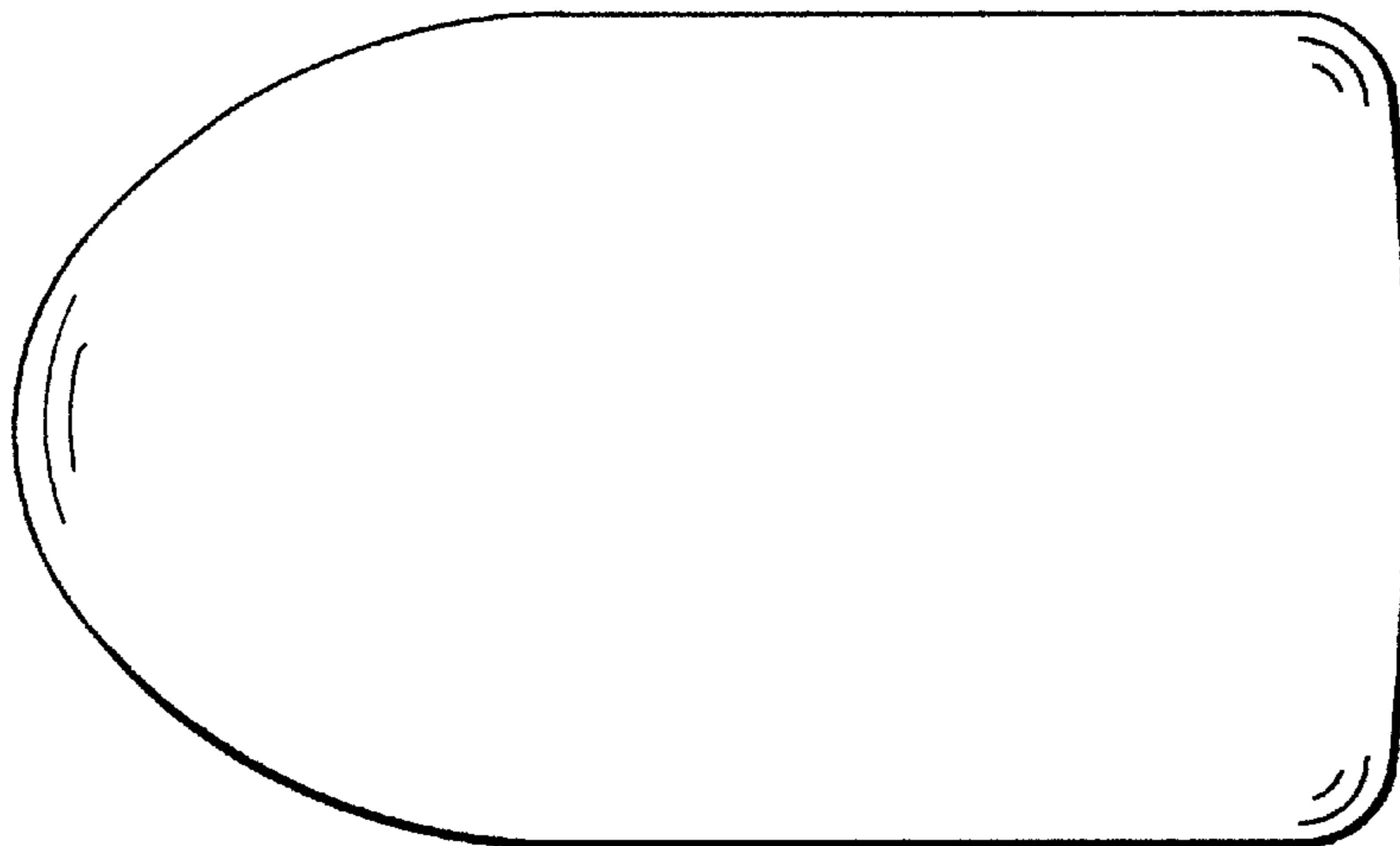
FIG. 7 is a side elevation view of the pocket scale as shown in FIG. 6, the opposite side being identical, the portions shown in phantom forming no part of the ornamental design.

FIG. 8 is a bottom plan view of the pocket scale as shown in FIGS. 6 and 7, the portions shown in phantom forming no part of the ornamental design.

FIG. 9 is an end elevation view of the left end of FIGS. 6-8, the portions shown in phantom forming no part of the ornamental design; and,

FIG. 10 is an end elevation view of the right end of FIGS. 6-8, the portions shown in phantom forming no part of the ornamental design.

**1 Claim, 4 Drawing Sheets**



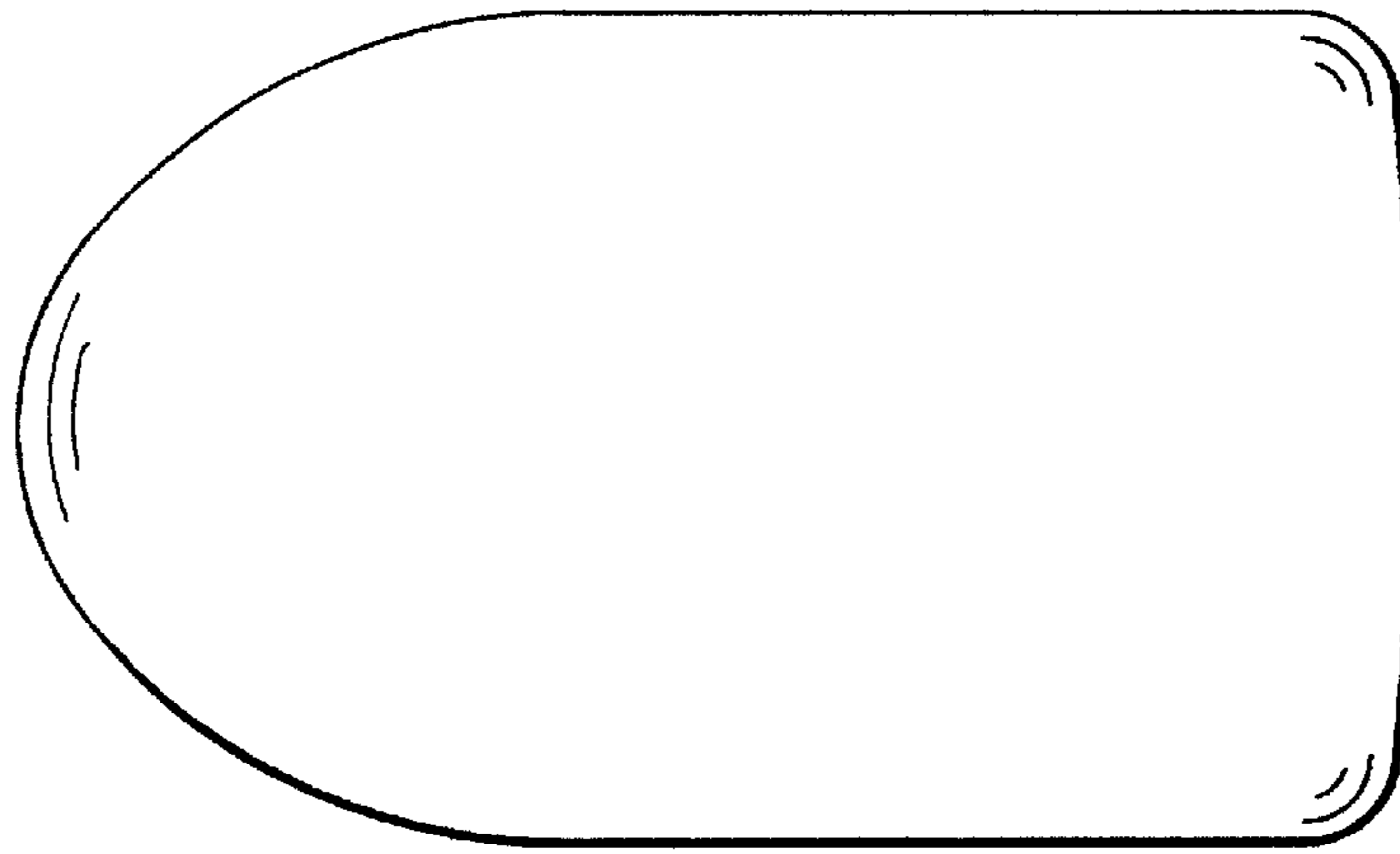


Fig. 1

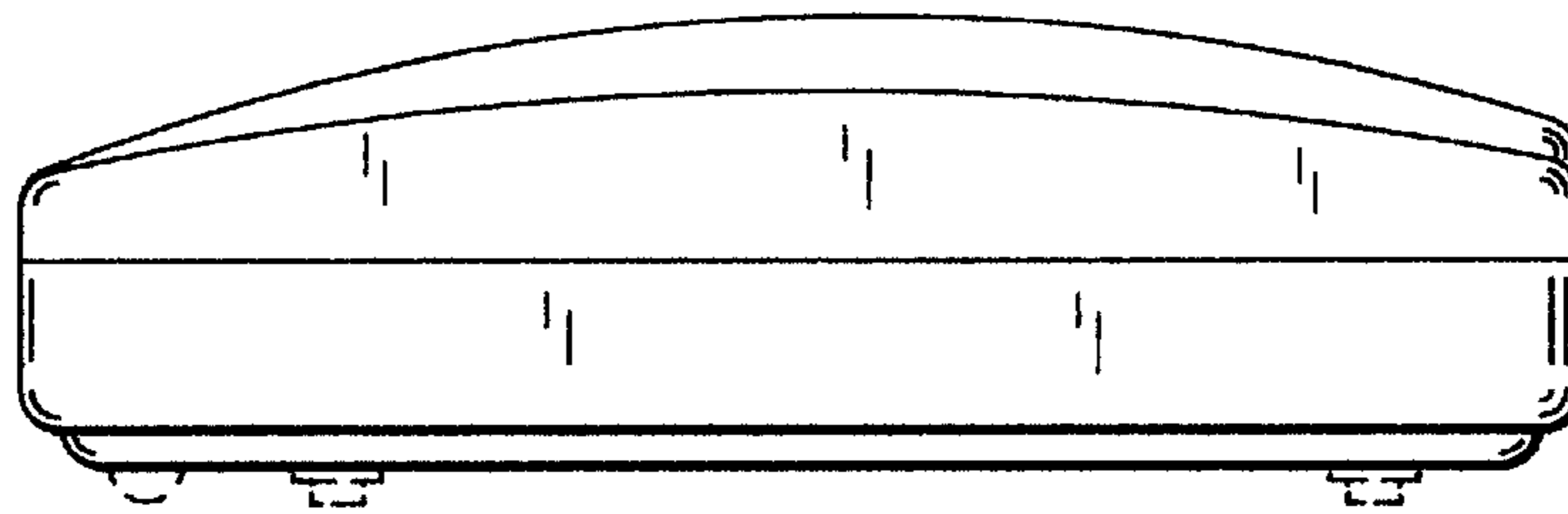


FIG. 2

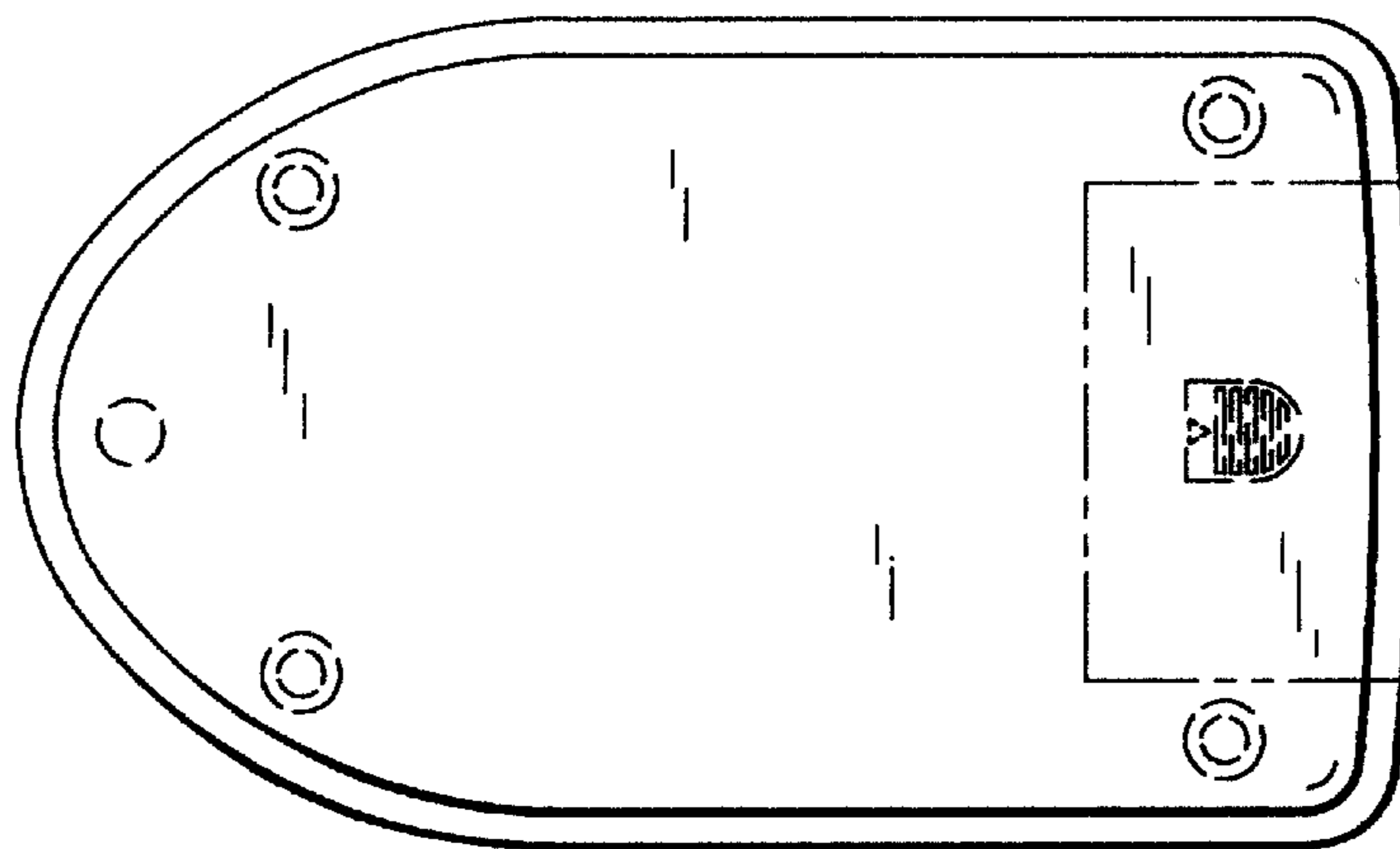


Fig. 3

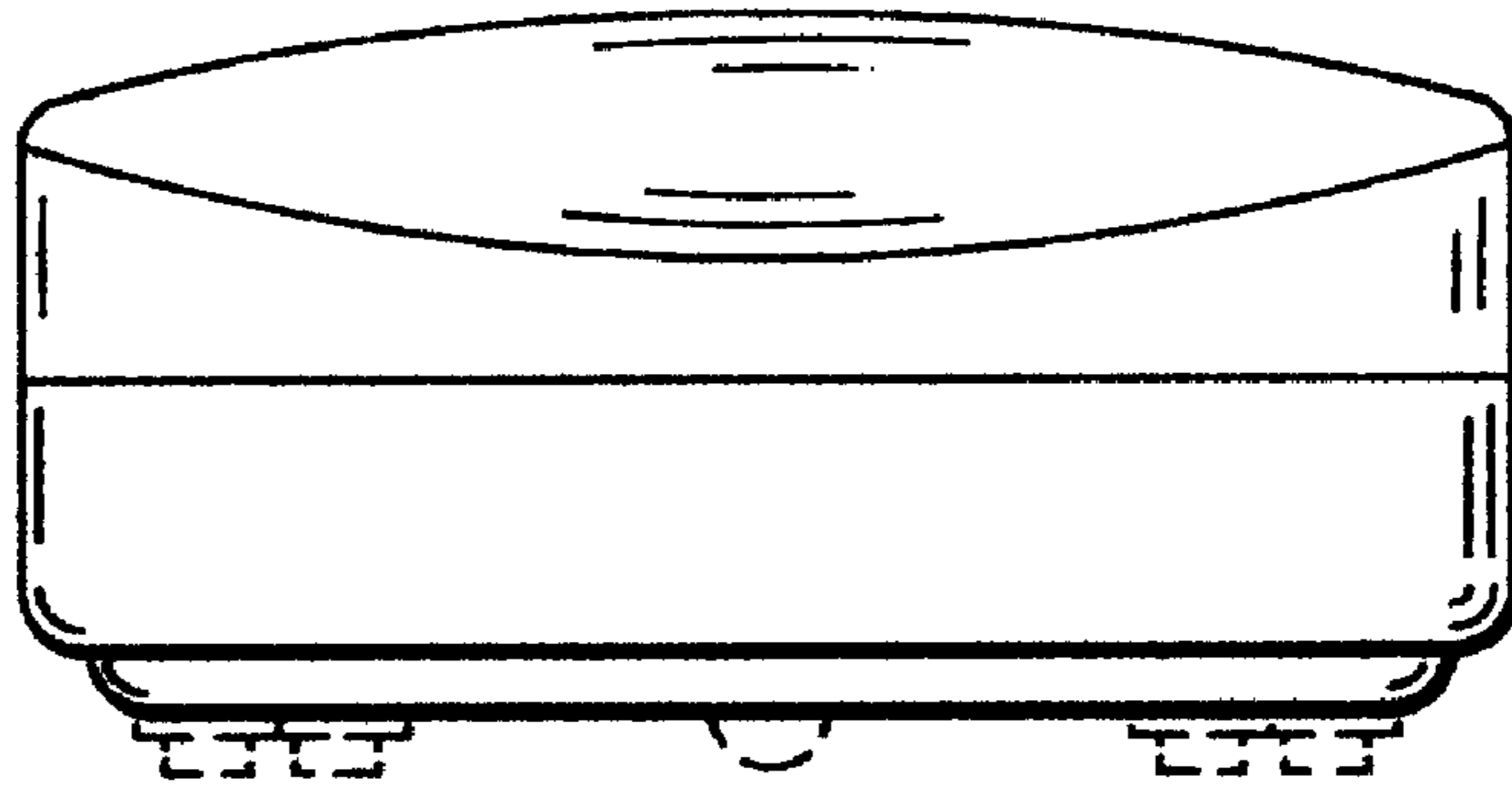


Fig. 4

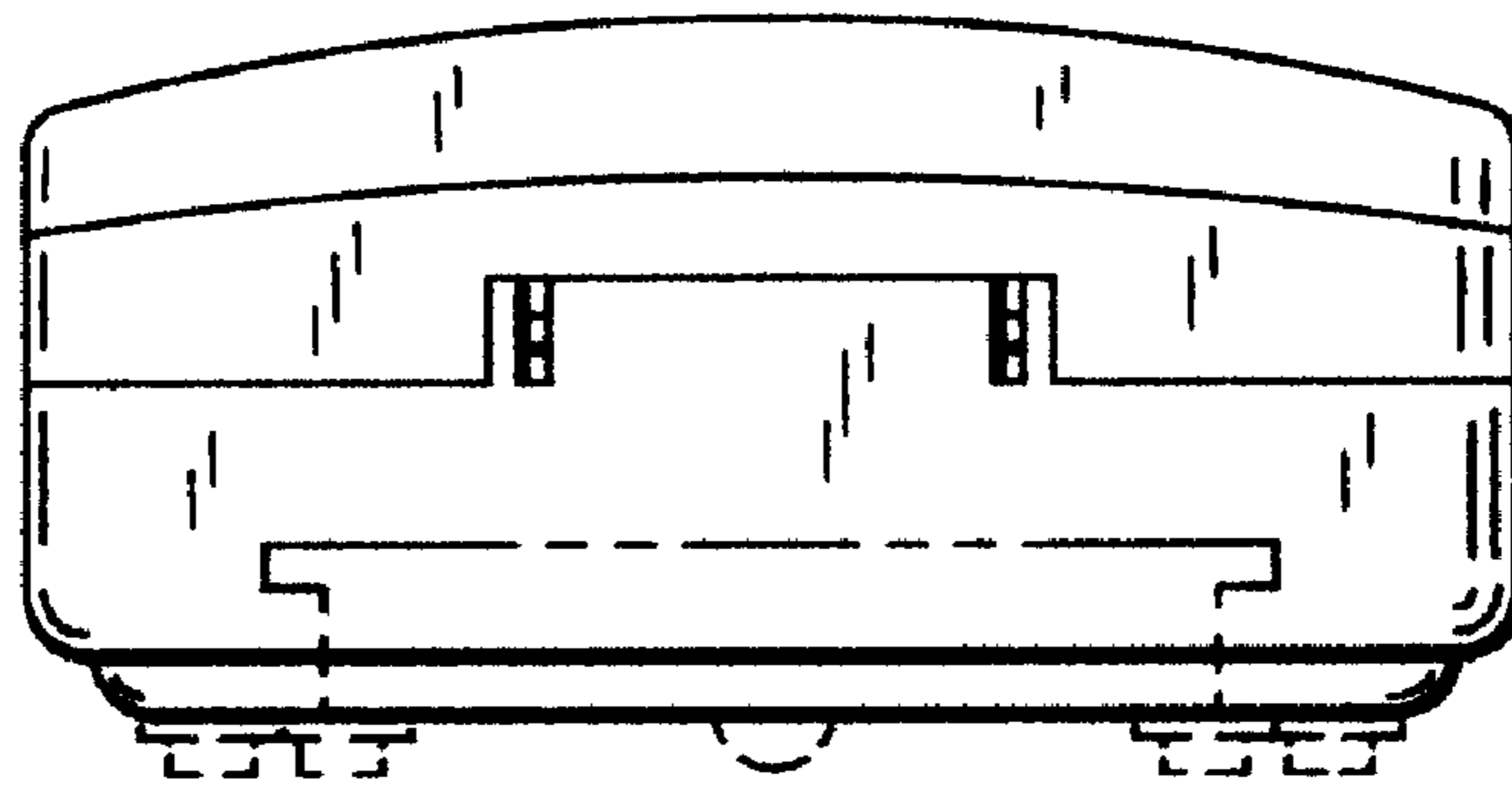


Fig. 5

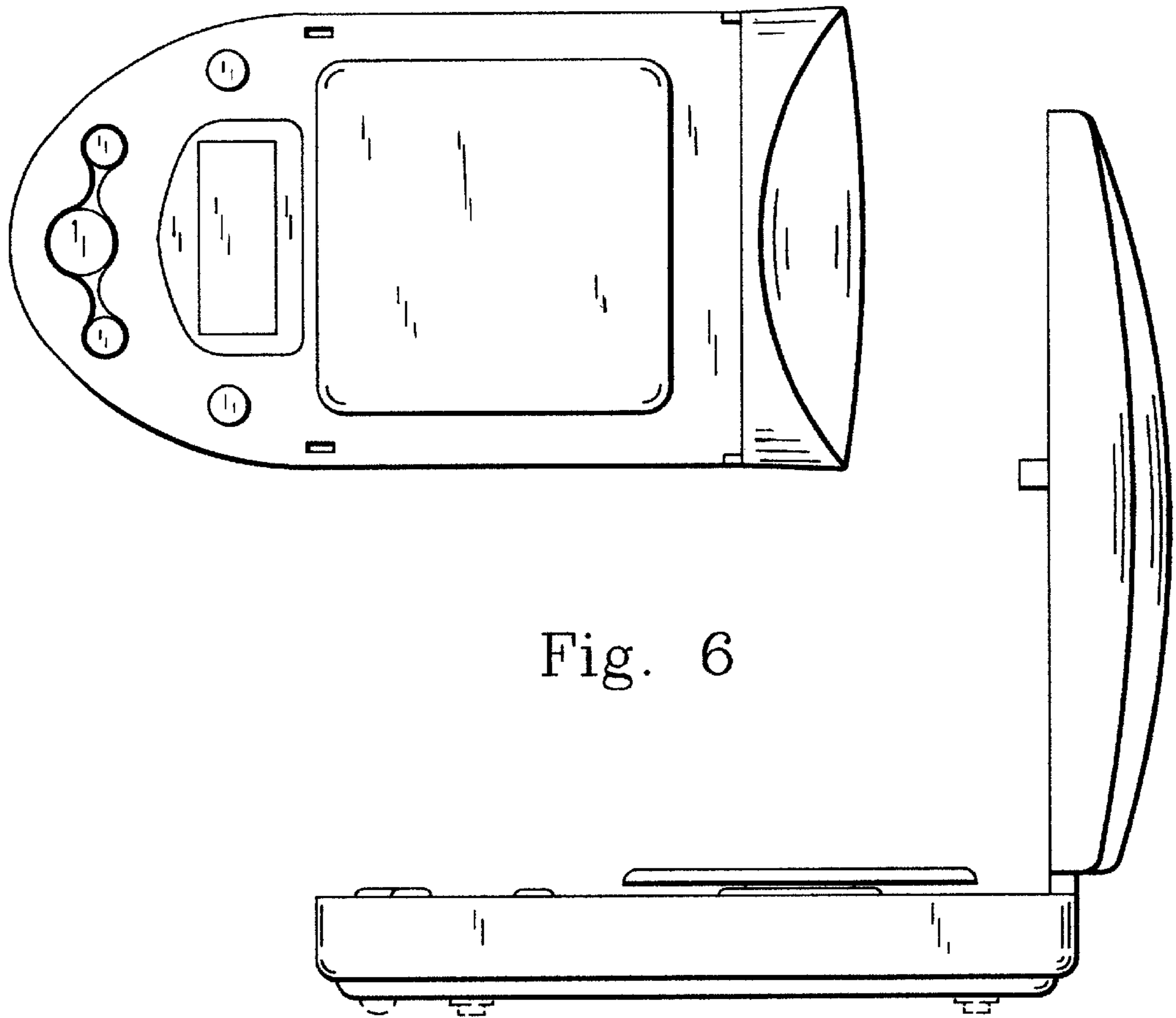
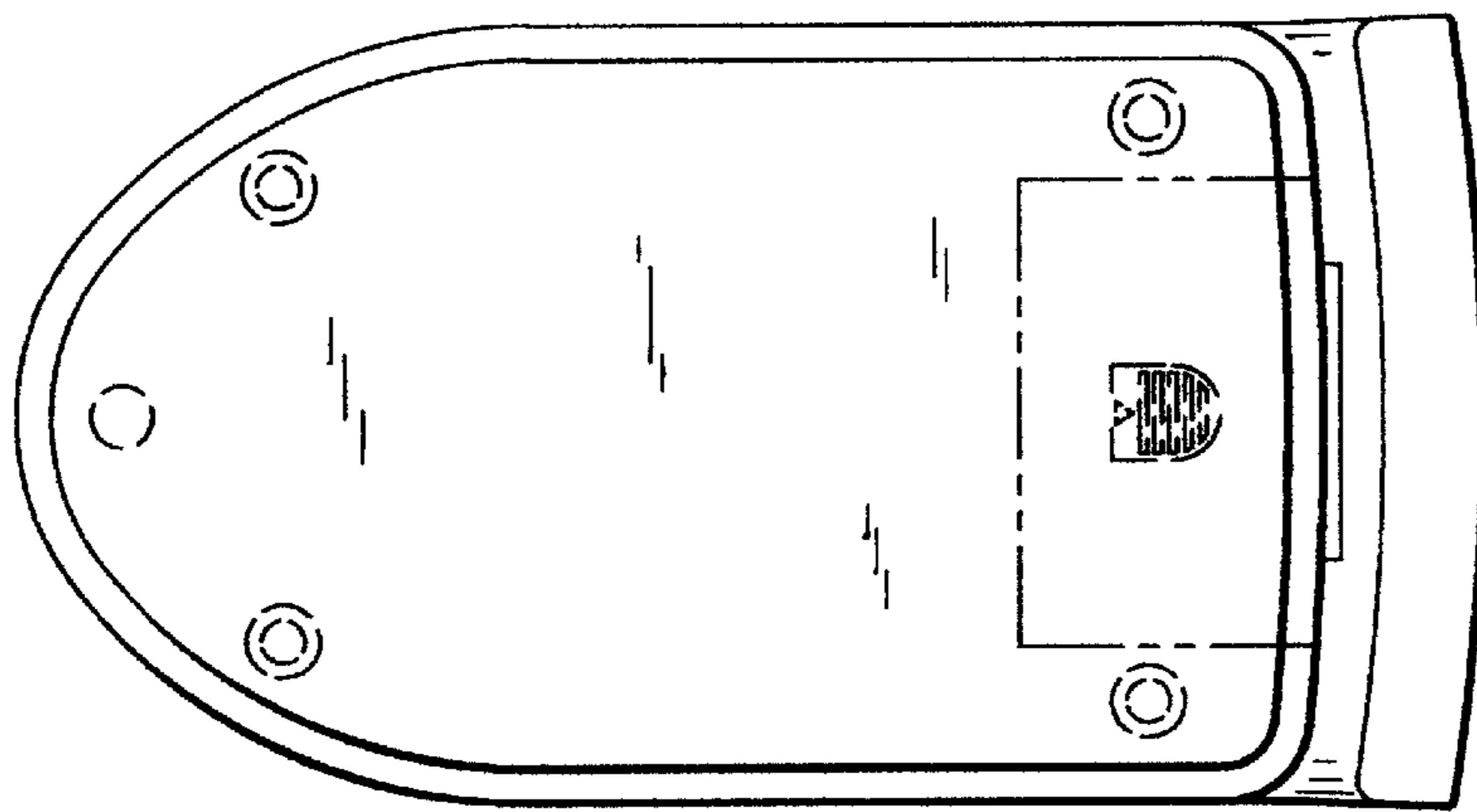


FIG. 7



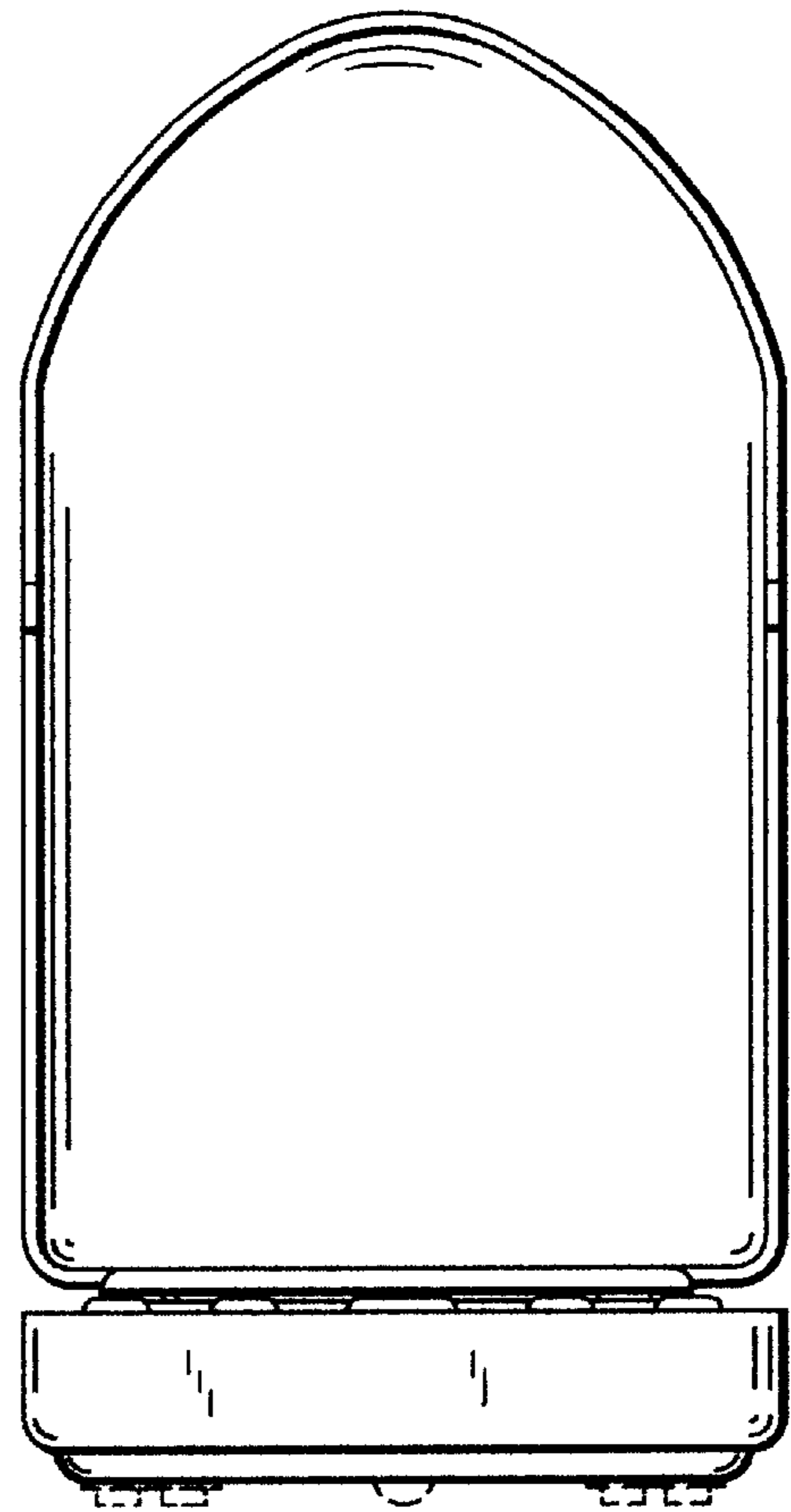


Fig. 9

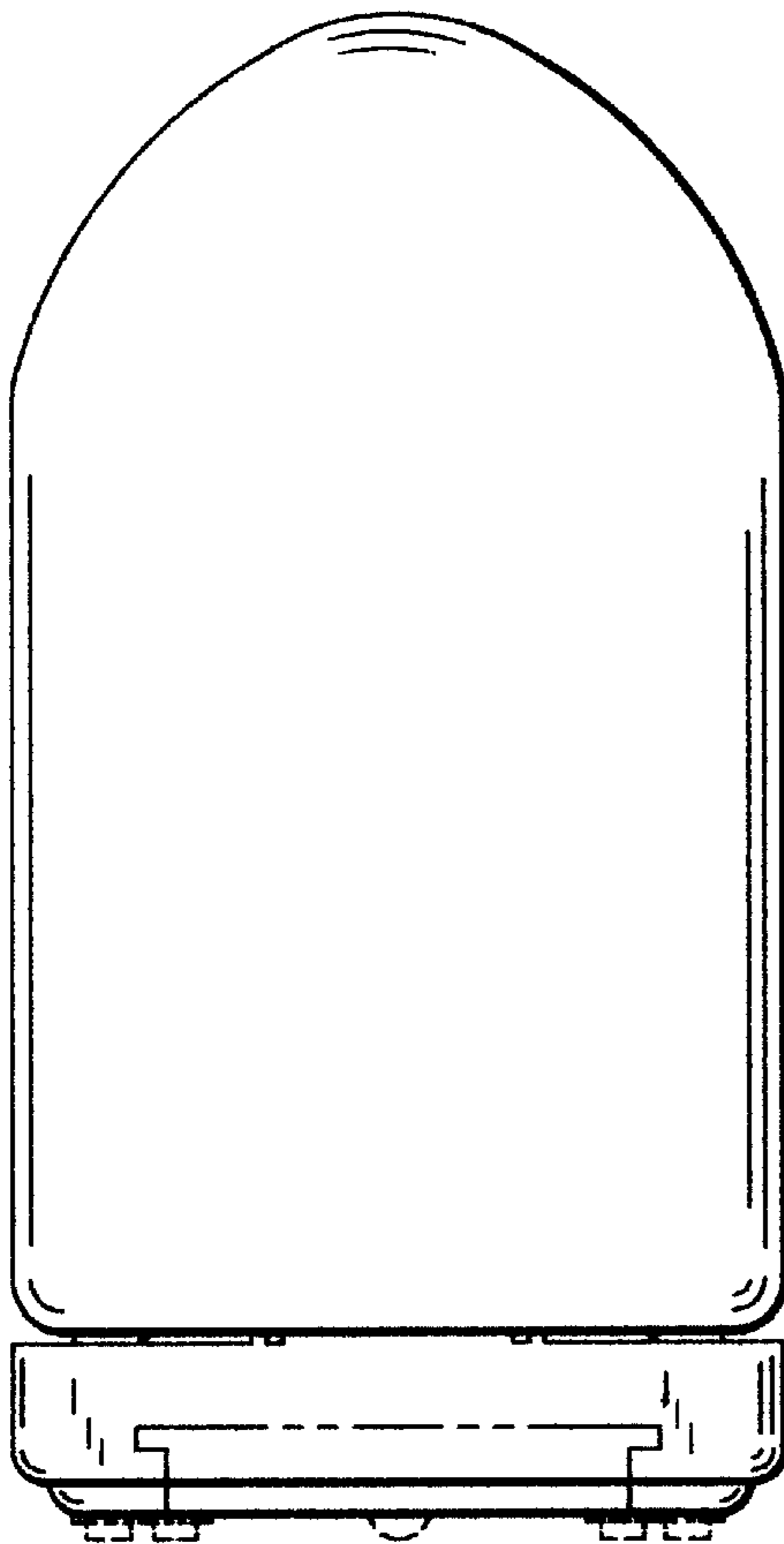


Fig. 10