



US00D478825S

(12) **United States Design Patent**  
**Geist**

(10) **Patent No.:** **US D478,825 S**

(45) **Date of Patent:** **\*\* Aug. 26, 2003**

(54) **CARBON DIOXIDE INDICATING APPARATUS**

*Primary Examiner*—Antoine Duval Davis  
(74) *Attorney, Agent, or Firm*—R. Gale Rhodes, Jr.

(75) **Inventor:** **Leroy D. Geist**, Parker, CO (US)

(57) **CLAIM**

(73) **Assignee:** **Vital Signs, Inc.**, Totawa, NJ (US)

The ornamental design for the carbon dioxide indicating apparatus, as shown and described.

(\*\*) **Term:** **14 Years**

**DESCRIPTION**

(21) **Appl. No.:** **29/168,771**

FIG. 1 is a side view of carbon dioxide indicating apparatus showing my new design;

(22) **Filed:** **Oct. 8, 2002**

FIG. 2 is a top view thereof;

(51) **LOC (7) Cl.** ..... **10-04**

FIG. 3 is a bottom view thereof;

(52) **U.S. Cl.** ..... **D10/81**

FIG. 4 is a left end view thereof;

(58) **Field of Search** ..... D10/81; 128/207.14,  
128/203.11, 205.13, 205.23

FIG. 5 is a right end view thereof;

(56) **References Cited**

FIG. 6 is a first perspective view thereof taken from the right end as viewed in FIG. 1; and,

**U.S. PATENT DOCUMENTS**

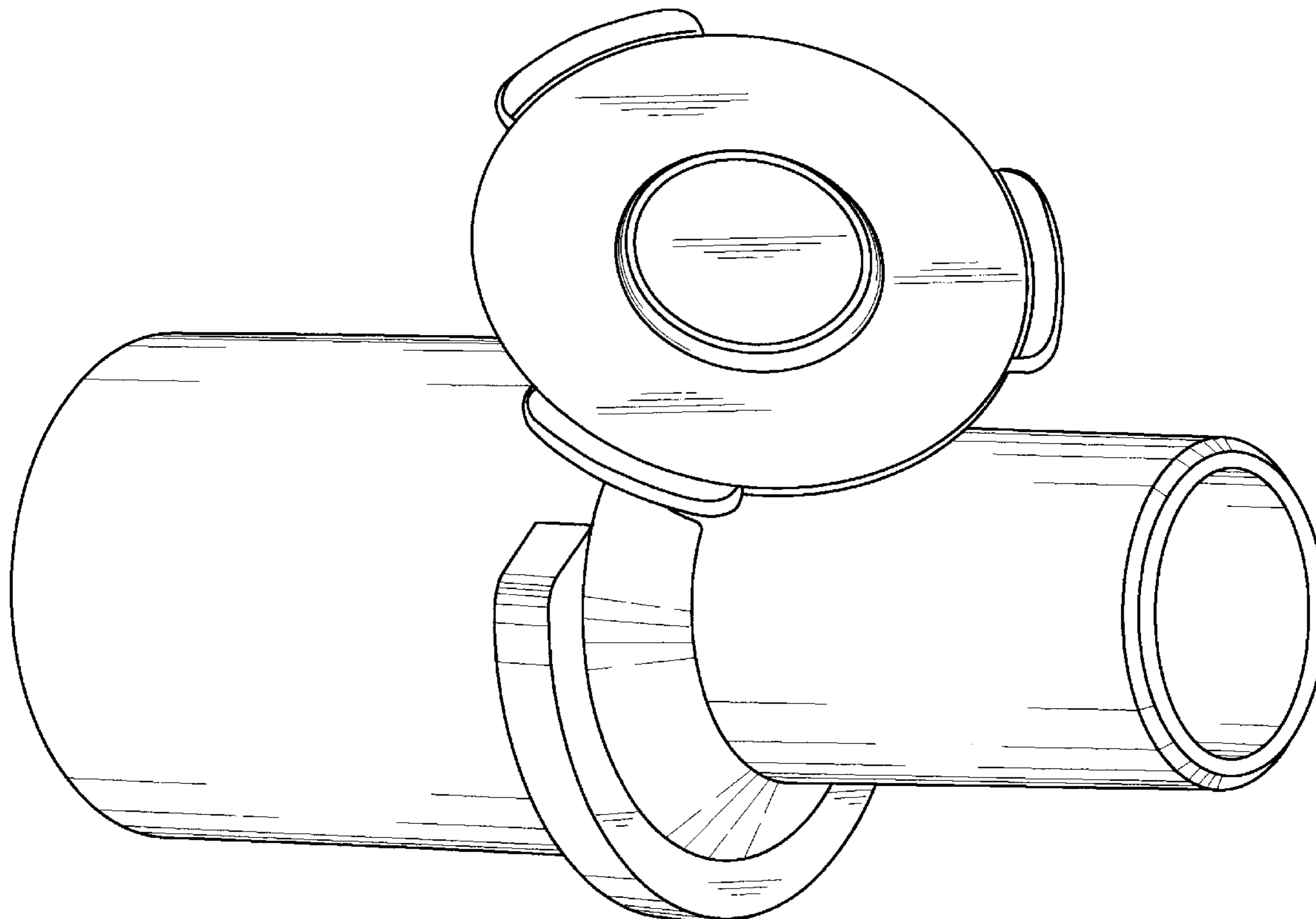
FIG. 7 is a perspective view thereof taken from the left end as viewed in FIG. 1.

6,058,933 A \* 5/2000 Good et al. .... 128/205.13

6,427,687 B1 \* 8/2002 Kirk ..... 128/203.11

\* cited by examiner

**1 Claim, 7 Drawing Sheets**



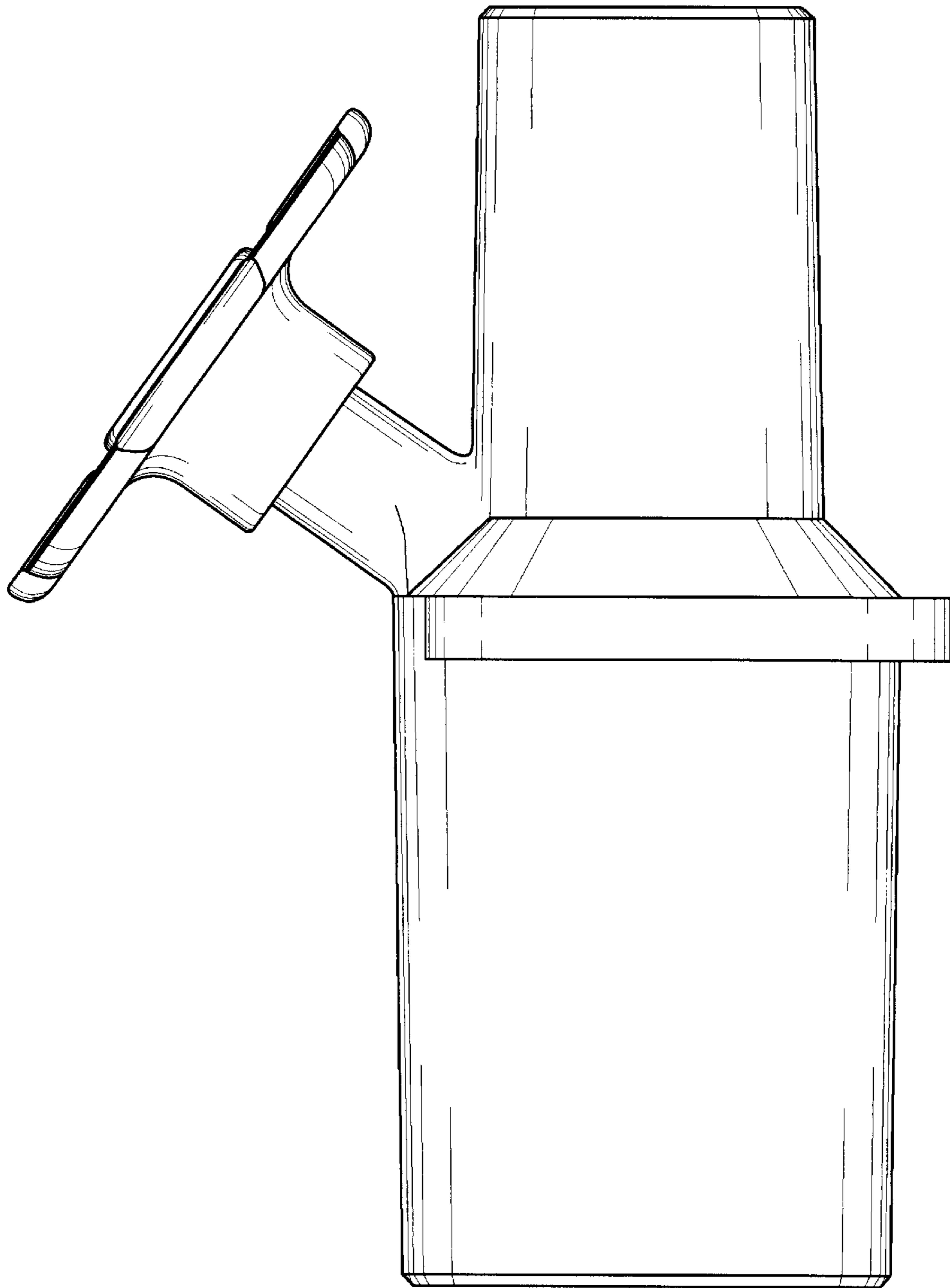


FIG. 1

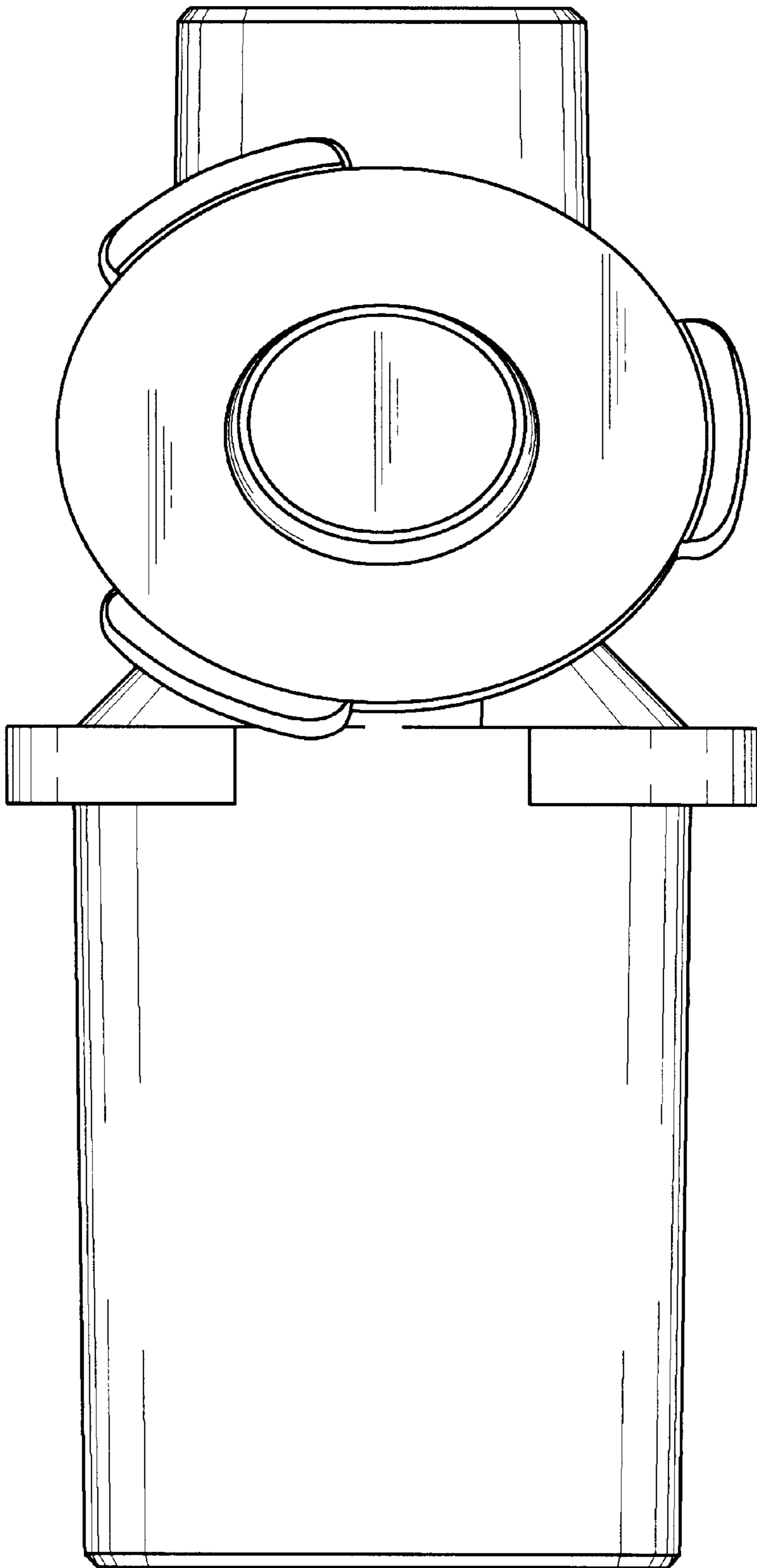


FIG. 2

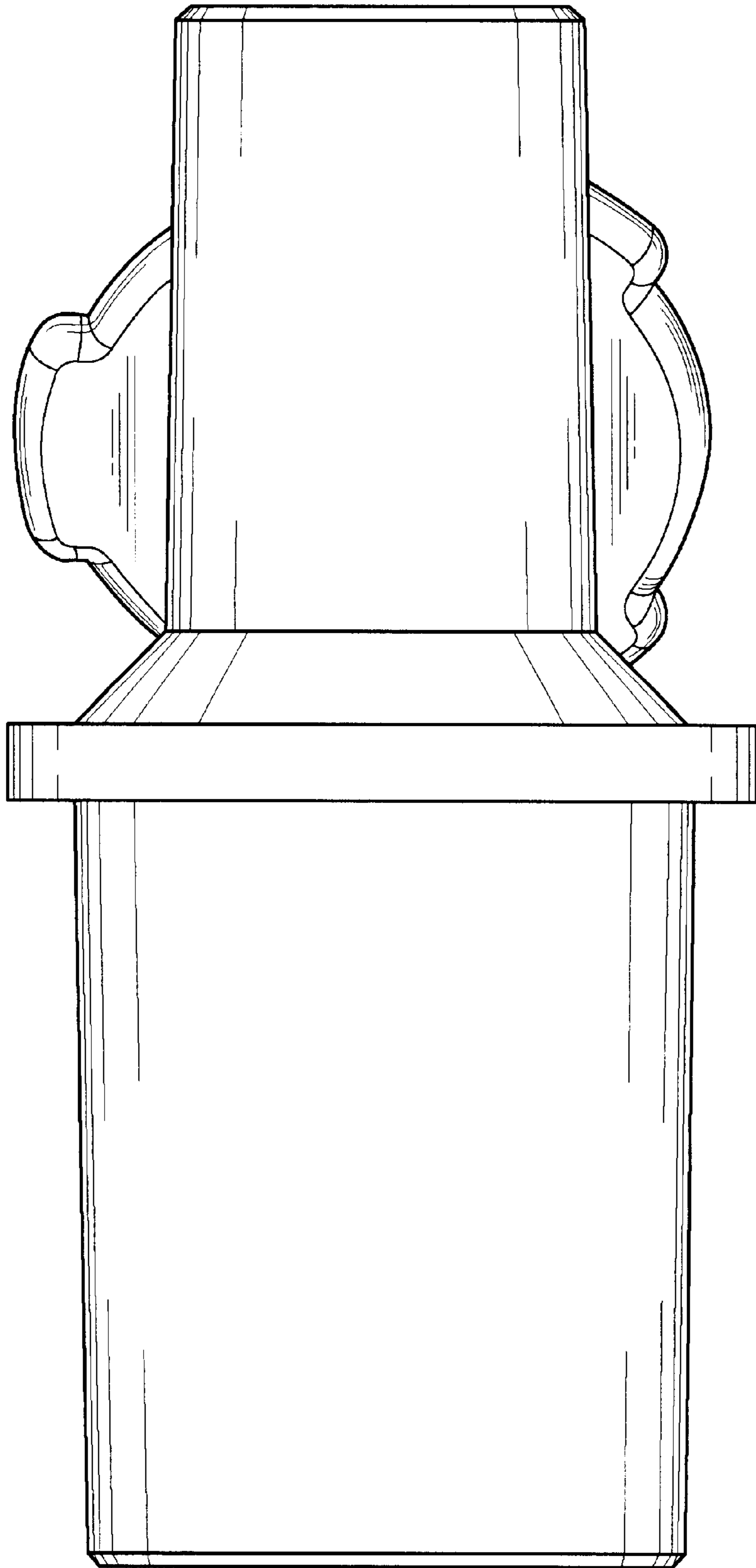


FIG. 3

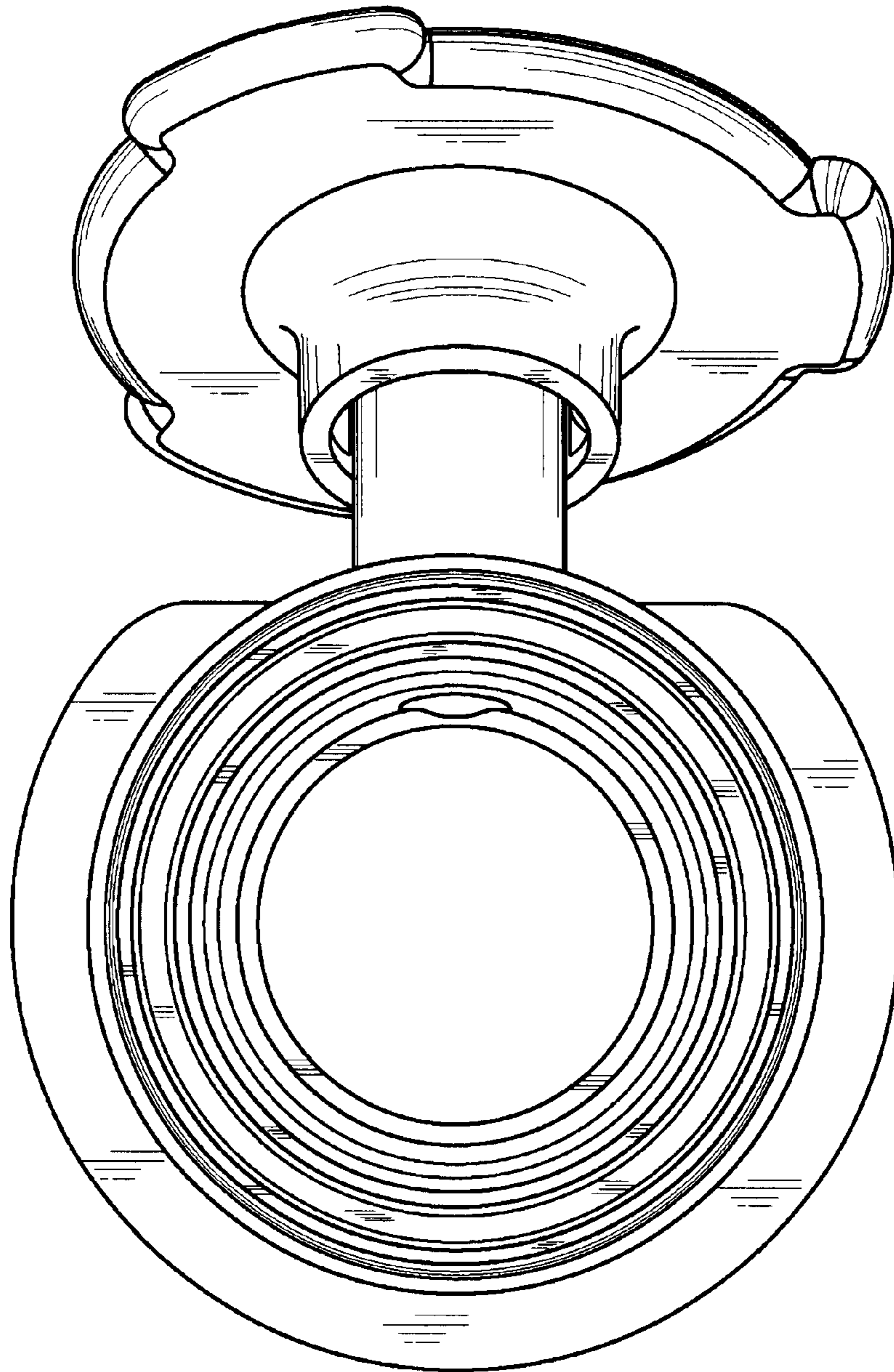


FIG. 4

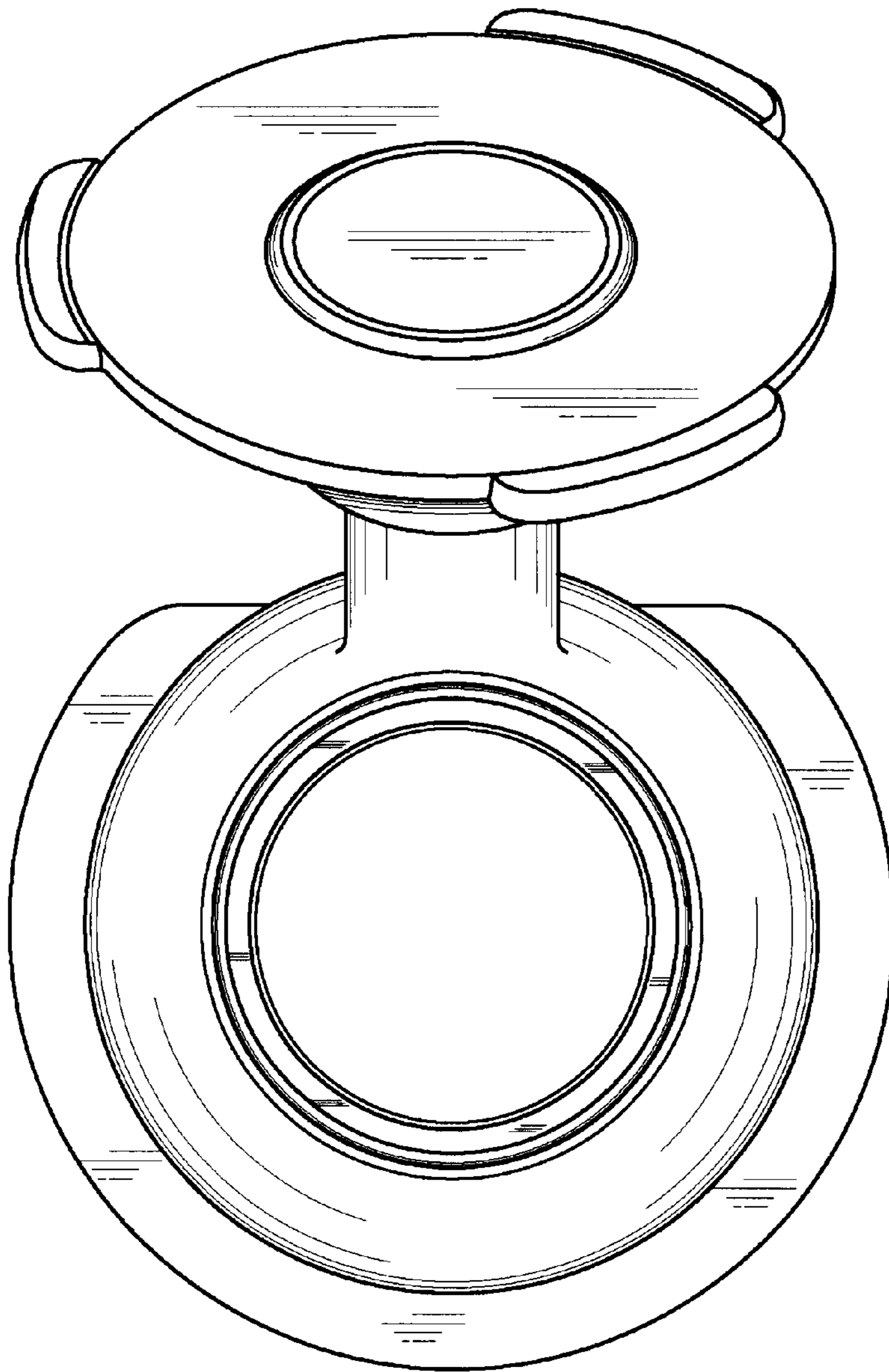


FIG. 5



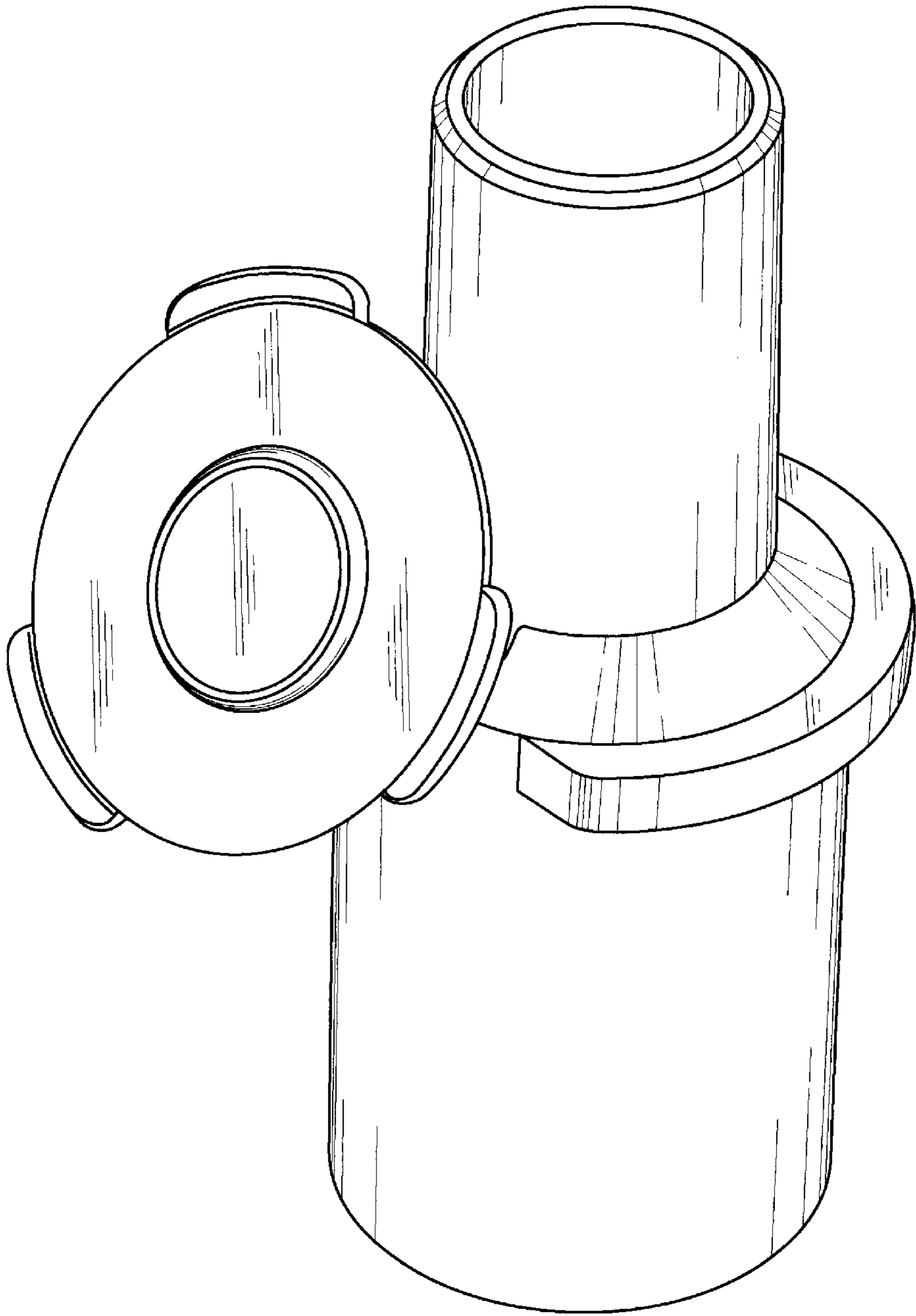


FIG. 6

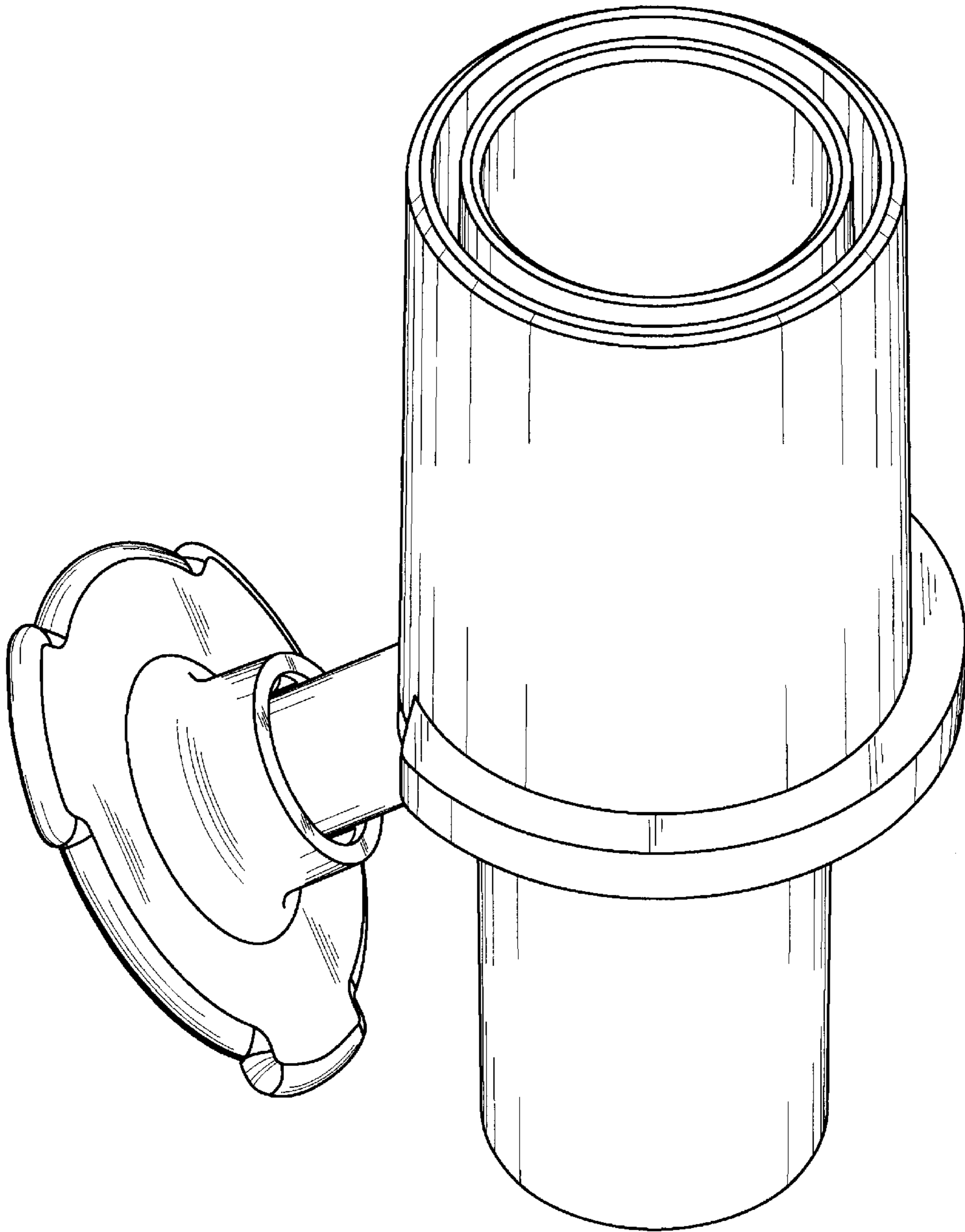


FIG. 7