



US00D478823S

(12) **United States Design Patent**
Kelleghan

(10) **Patent No.:** **US D478,823 S**

(45) **Date of Patent:** **** Aug. 26, 2003**

(54) **COMPASS CLIP**

(75) **Inventor:** **Brian James Kelleghan**, Longmont, CO (US)

(73) **Assignee:** **Bison Designs, L.L.C.**, Longmont, CO (US)

(**) **Term:** **14 Years**

(21) **Appl. No.:** **29/165,106**

(22) **Filed:** **Aug. 5, 2002**

(51) **LOC (7) Cl.** **10-04**

(52) **U.S. Cl.** **D10/68**

(58) **Field of Search** D10/68; D8/367, D8/382; 33/355 R-365, 347

(56) **References Cited**

U.S. PATENT DOCUMENTS

D177,346 S	4/1956	Norris
D271,465 S	11/1983	Boissonnet
D321,881 S	11/1991	Hopewell
D419,251 S	1/2000	Parsons et al.
D422,731 S	4/2000	Parsons et al.
D432,027 S	10/2000	Fox et al.
6,190,018 B1	2/2001	Parsons et al.
D441,473 S	5/2001	Parsons et al.
D443,370 S	6/2001	Yu
6,299,323 B1	10/2001	Yu et al.

6,357,890 B1	3/2002	Parsons et al.
D455,642 S	4/2002	Kelleghan
D457,303 S	5/2002	Yuen
D457,304 S	5/2002	Yuen
D459,338 S	6/2002	Sterzick
D462,891 S	9/2002	Kelleghan
D466,422 S	12/2002	Luquire

OTHER PUBLICATIONS

Picture of carabiner received by Bison Designs Jul. 2002. U.S. application Ser. No. 29/155,256, Brian James Kelleghan, filed Feb. 5, 2002.

Primary Examiner—Antoine Duval Davis

(74) *Attorney, Agent, or Firm*—Margaret Polson; PatentLaw Offices of Rick Martin, P.C.

(57) **CLAIM**

The ornamental design for a compass clip, as shown.

DESCRIPTION

FIG. 1 is a top plan view of my new design for a compass clip.

FIG. 2 is a bottom plan view of FIG. 1.

FIG. 3 is a front side elevation view of FIG. 1.

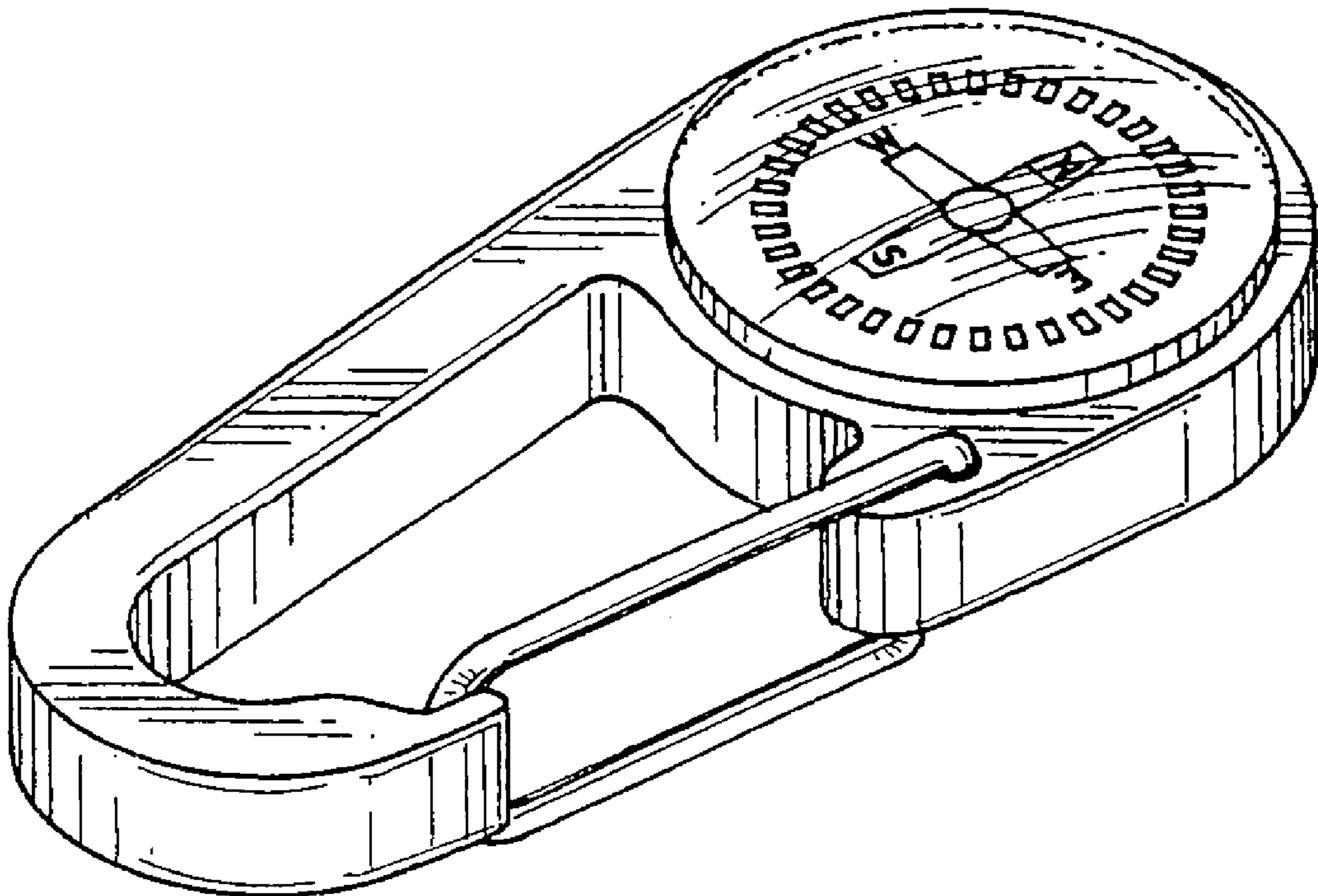
FIG. 4 is a back side elevation view of FIG. 1.

FIG. 5 is a right side elevation view of FIG. 1.

FIG. 6 is a left side elevation view of FIG. 1; and,

FIG. 7 is a top perspective view of FIG. 1.

1 Claim, 1 Drawing Sheet



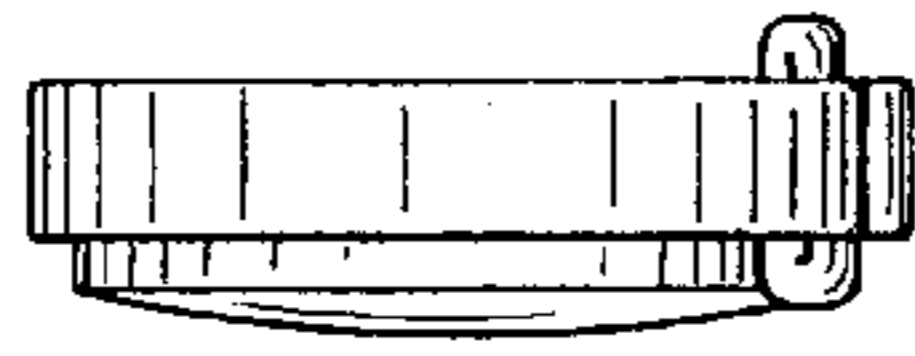


FIG. 5

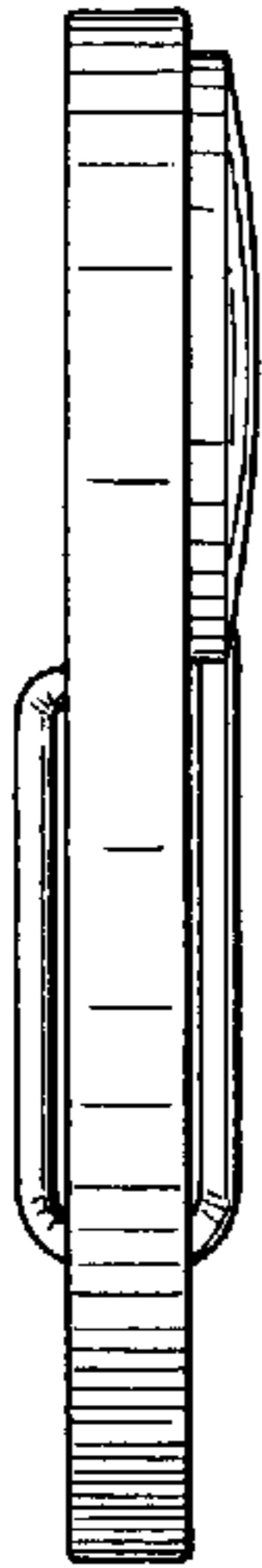


FIG. 3

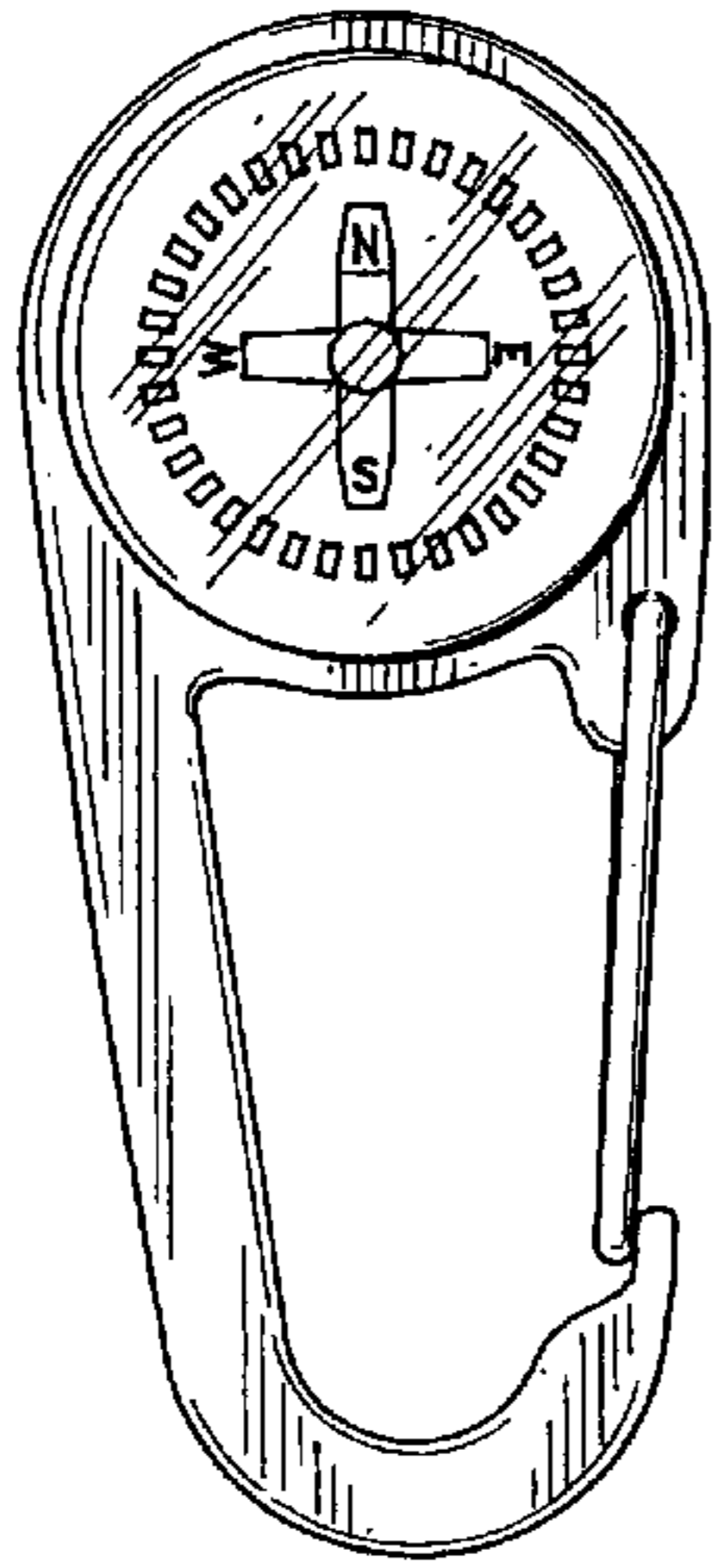


FIG. 1

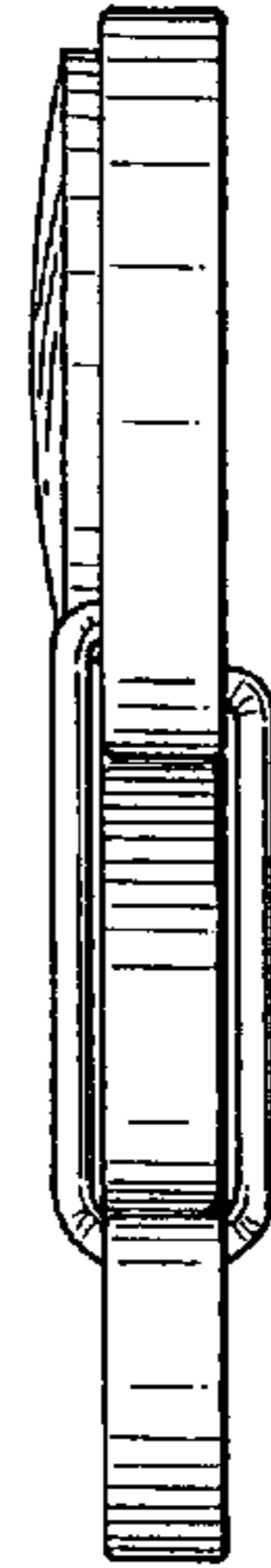


FIG. 4

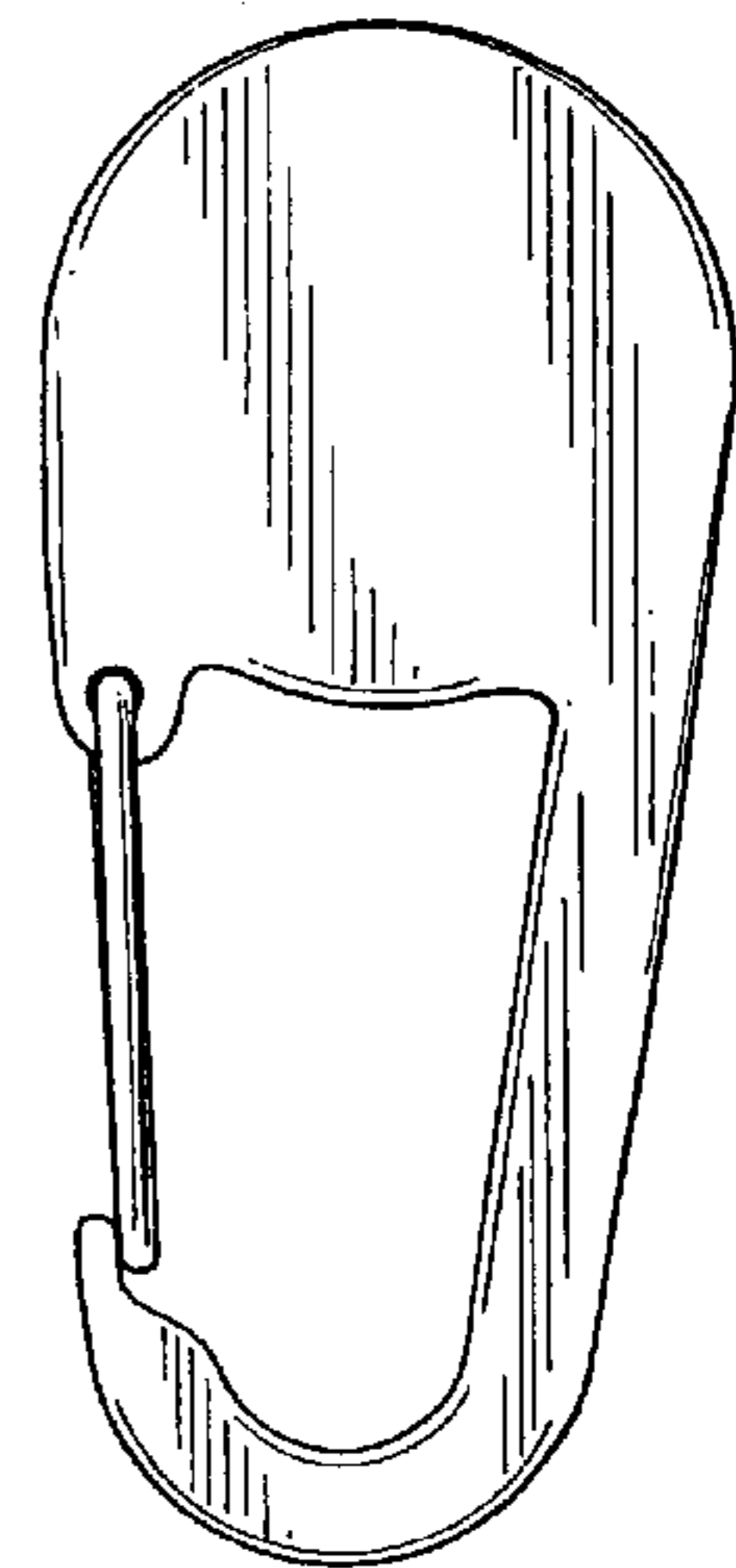


FIG. 2

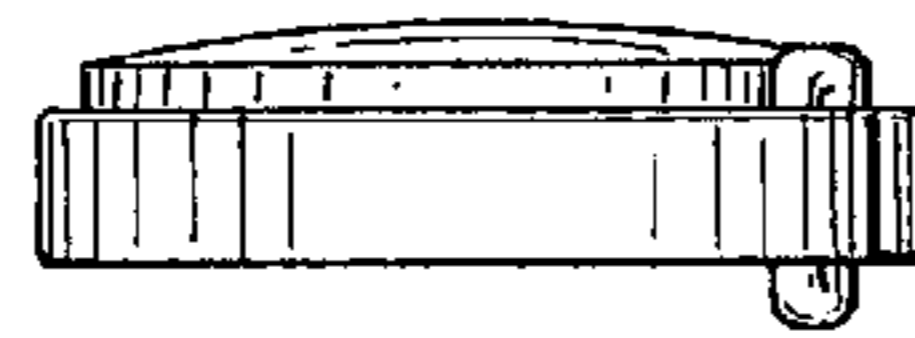


FIG. 6

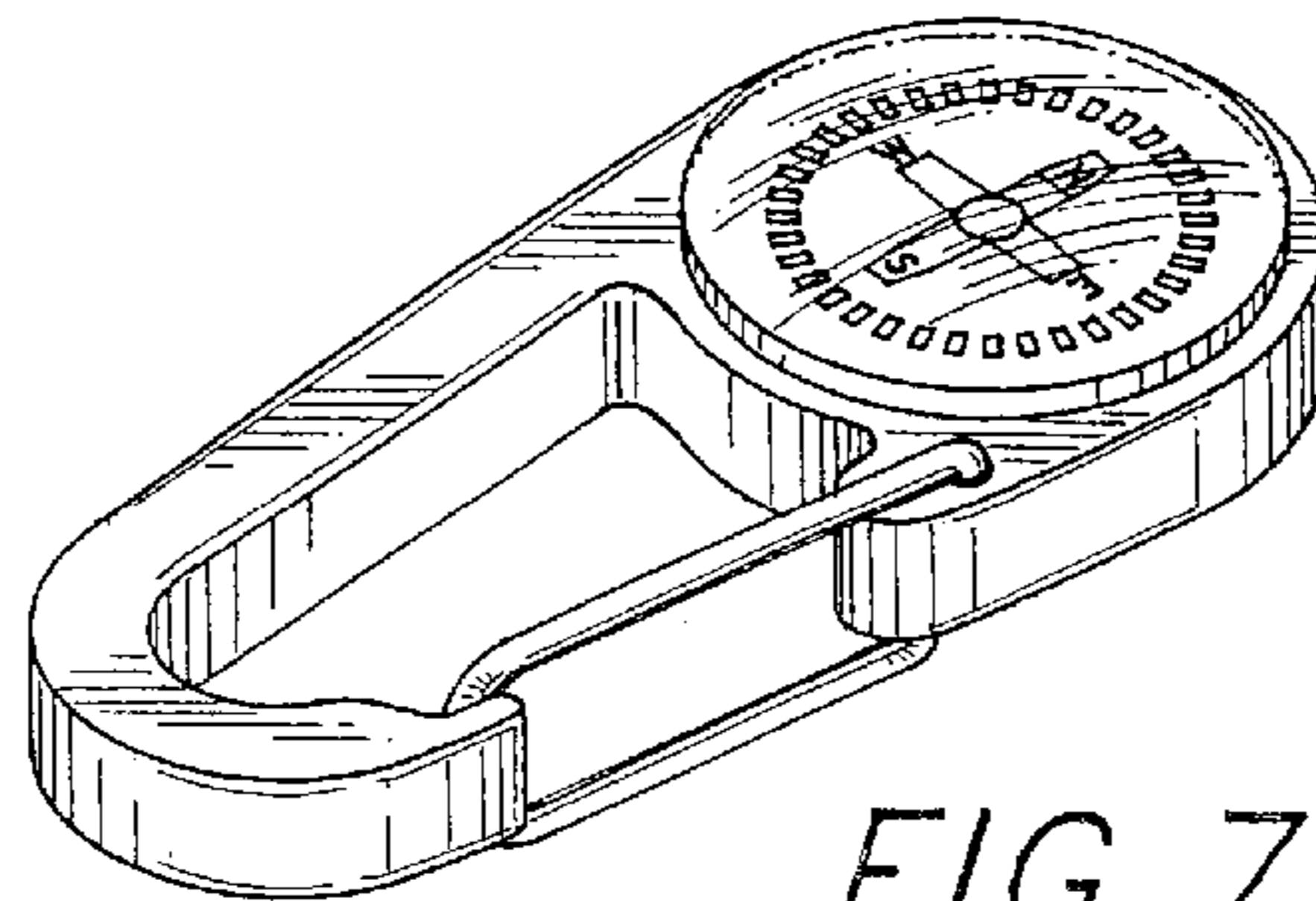


FIG. 7