



US00D478822S

(12) **United States Design Patent**
Kaiser et al.

(10) **Patent No.:** **US D478,822 S**

(45) **Date of Patent:** **** Aug. 26, 2003**

(54) **RINGING MEAT THERMOMETER**

(76) Inventors: **Dolores Kaiser**, 336 Golfview Rd., Apt. 1001, North Palm Beach, FL (US) 33408; **Frederick Kaiser**, 131 Bethel Rd., Albertson Long Island, NY (US) 11507

(**) Term: **14 Years**

(21) Appl. No.: **29/165,645**

(22) Filed: **Aug. 13, 2002**

(51) **LOC (7) Cl.** **10-04**

(52) **U.S. Cl.** **D10/57**

(58) **Field of Search** D10/57; 99/343, 99/419, 421 TP; 116/216; 374/155, 208

(56) **References Cited**

U.S. PATENT DOCUMENTS

D117,258 S * 10/1939 Dowden D10/57
3,709,141 A * 1/1973 Schwartzstein 99/343
3,967,502 A * 7/1976 Moran 374/155 X

4,058,013 A * 11/1977 Trott 374/155

4,059,997 A * 11/1977 Trott 374/155

D457,822 S * 5/2002 Rushton D10/57

6,431,110 B1 * 8/2002 Kaiser et al. 116/216

* cited by examiner

Primary Examiner—Antoine Duval Davis

(74) *Attorney, Agent, or Firm*—McHale & Slavin, P.A.

(57) **CLAIM**

The ornamental design for a ringing meat thermometer, as shown and described.

DESCRIPTION

FIG. 1 is a top plane view of the ringing meat thermometer of the instant invention;

FIG. 2 is a bottom plane view thereof;

FIG. 3 is a front view thereof;

FIG. 4 is a left side view thereof;

FIG. 5 is a rear side view thereof; and,

FIG. 6 is a right side view thereof.

1 Claim, 3 Drawing Sheets

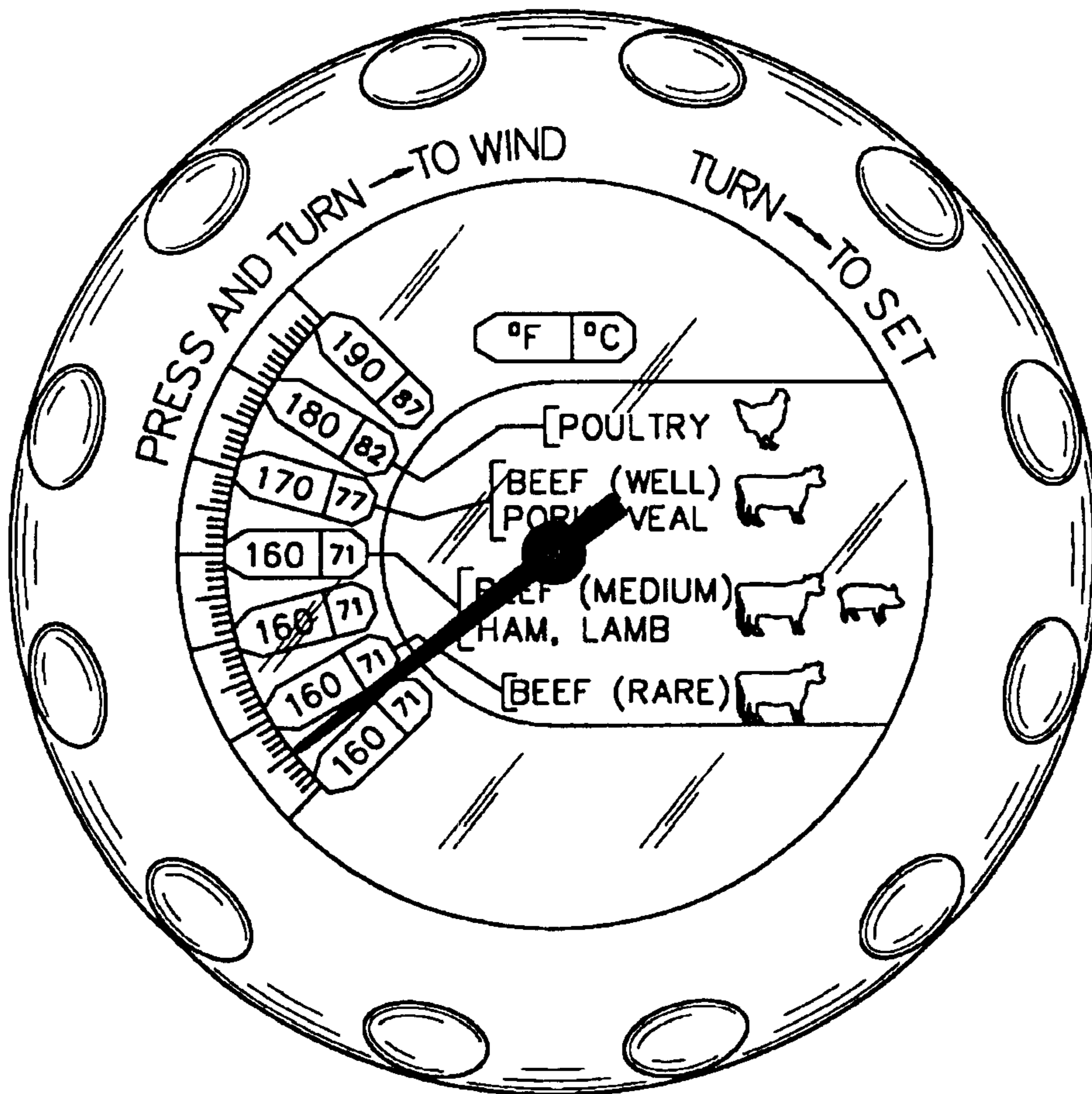


FIG. 1

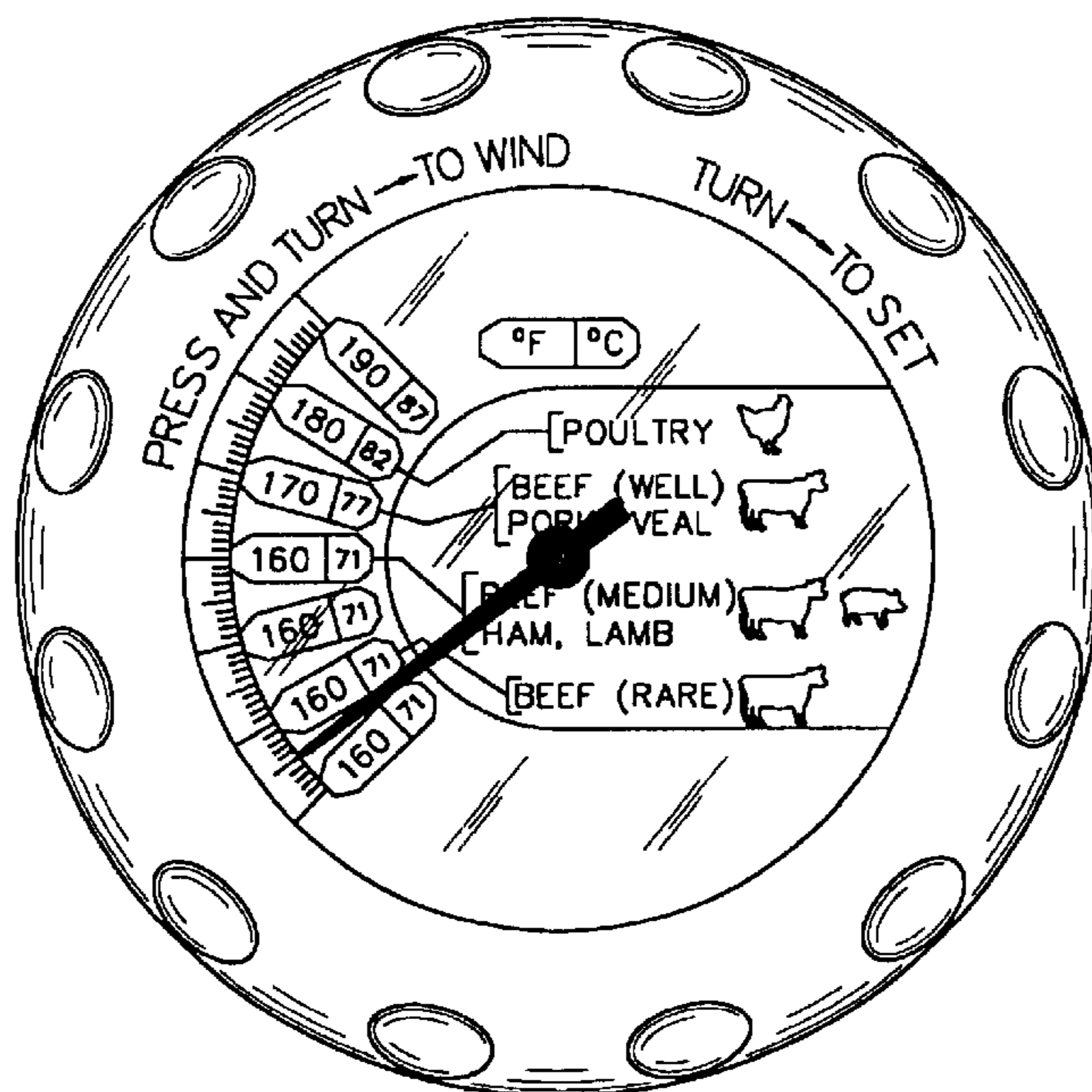


FIG. 2

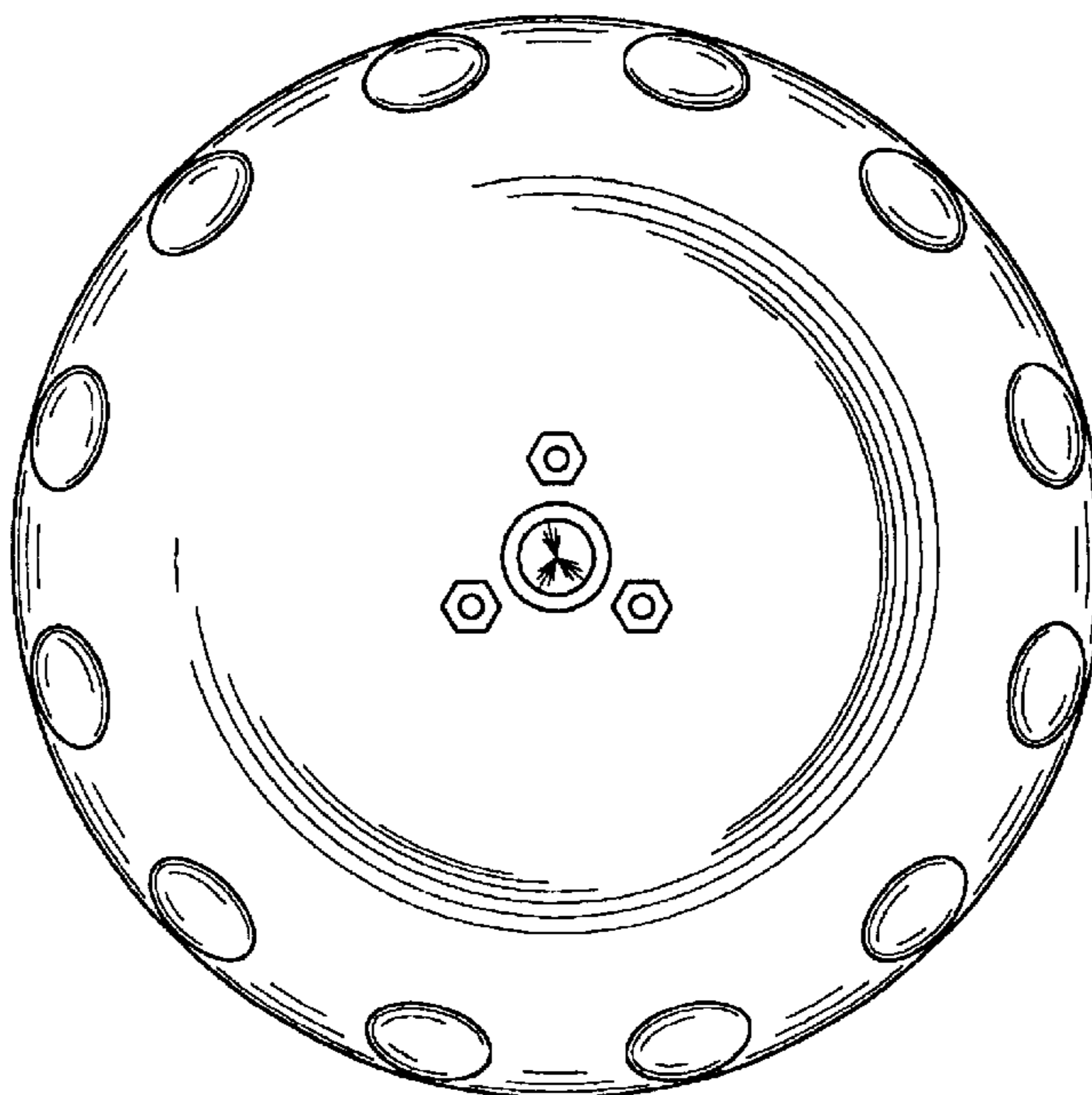


FIG. 4

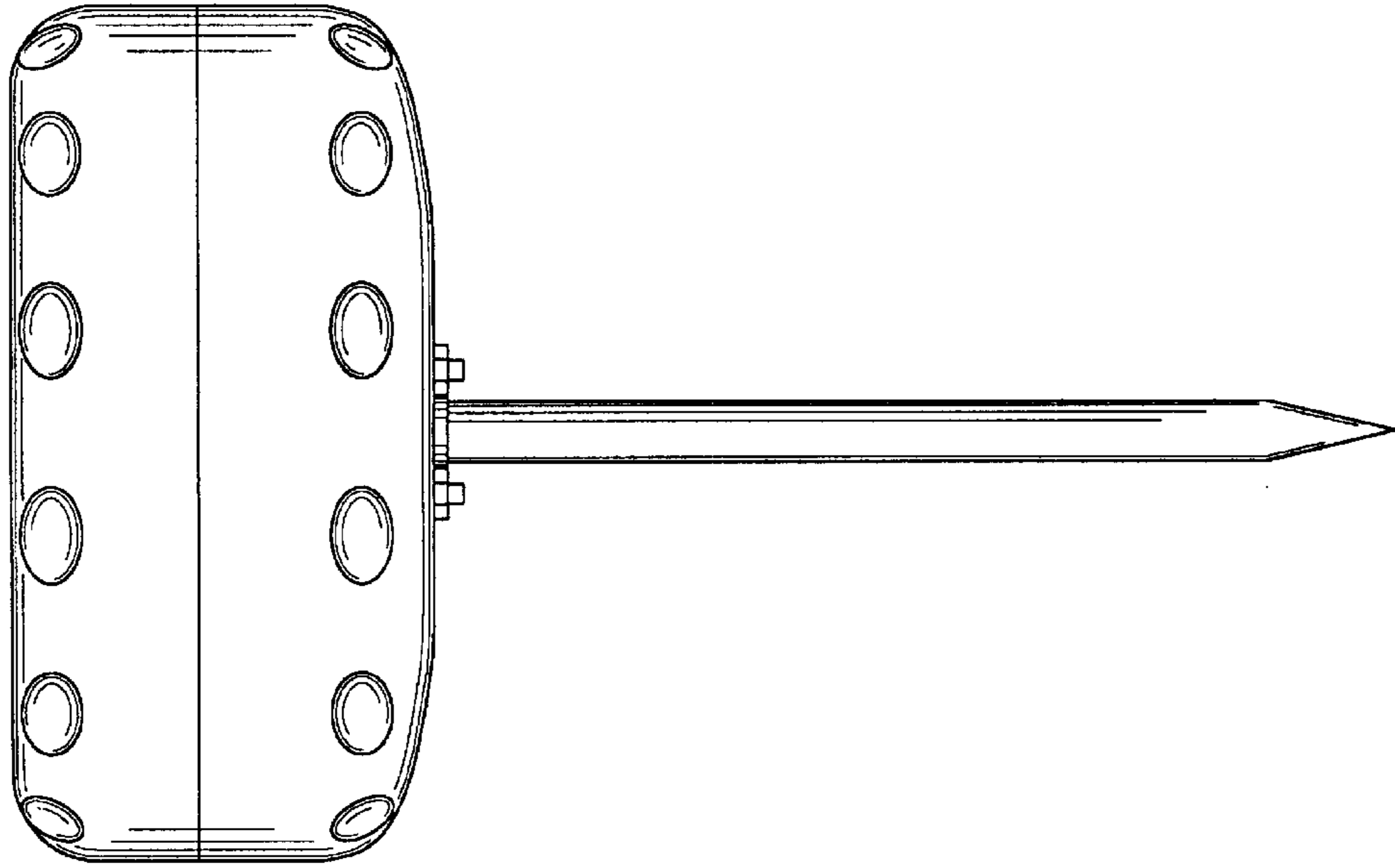


FIG. 3

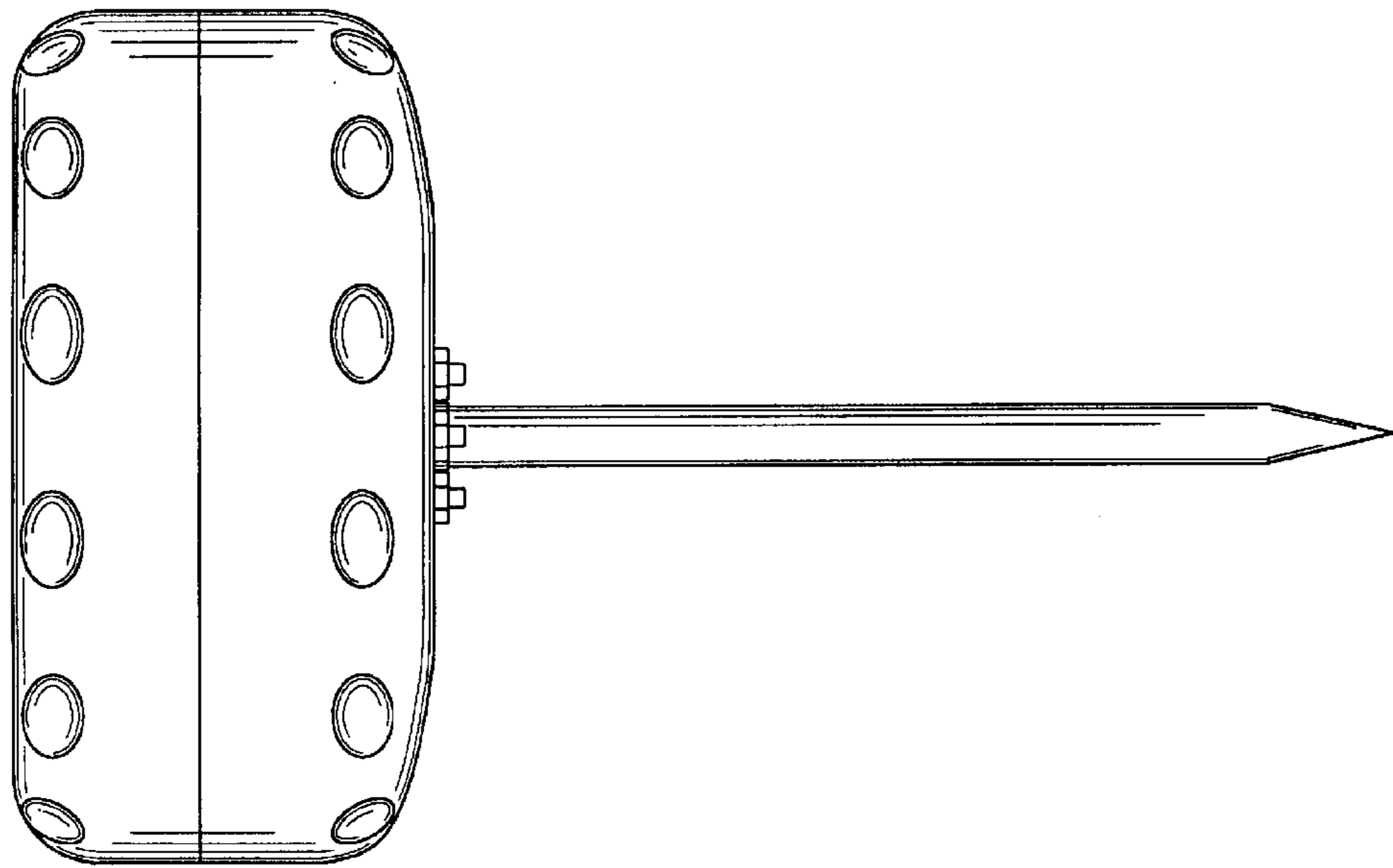


FIG. 6

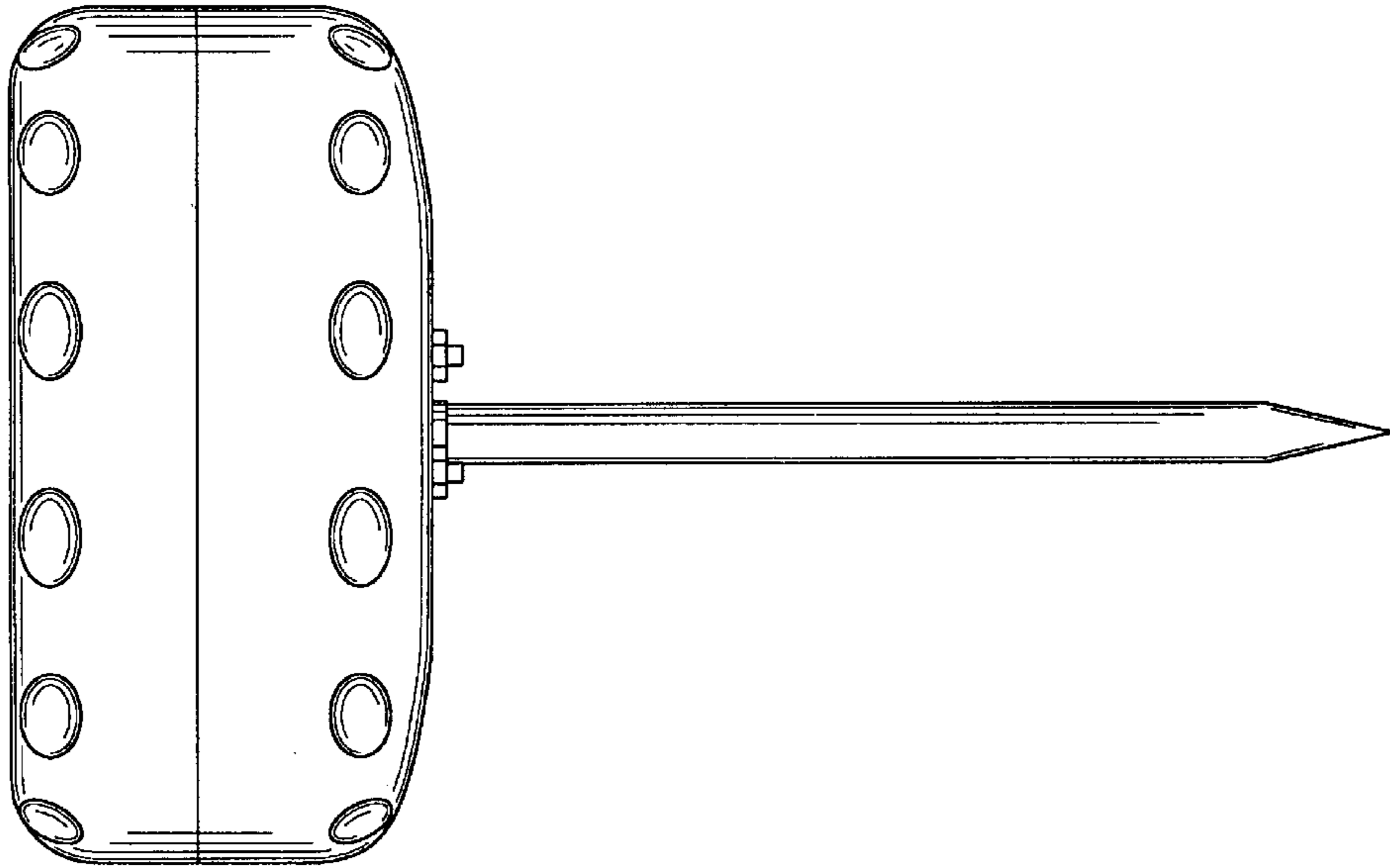


FIG. 5

