



US00D478814S

(12) **United States Design Patent**
Shepard

(10) **Patent No.:** **US D478,814 S**

(45) **Date of Patent:** **** Aug. 26, 2003**

(54) **BOTTLE**

(75) **Inventor:** **William T. Shepard**, Aliso Viejo, CA (US)

(73) **Assignee:** **B&G Endeavors, LLC**, Costa Mesa, CA (US)

(**) **Term:** **14 Years**

D272,793 S	2/1984	Appel et al.
4,676,387 A	6/1987	Stephenson et al.
D307,714 S	5/1990	Rosenberg
D316,653 S	* 5/1991	Spencer D7/605
D324,824 S	3/1992	Hansen
D328,421 S	8/1992	Weiler
D332,221 S	1/1993	Willems
D348,802 S	* 7/1994	Miller, III D7/510
5,419,429 A	* 5/1995	Zimmerman et al. 206/222
D413,798 S	* 9/1999	LaMarra D9/337

(21) **Appl. No.:** **29/175,835**

(22) **Filed:** **Feb. 11, 2003**

(51) **LOC (7) Cl.** **09-01**

(52) **U.S. Cl.** **D9/528; D9/526**

(58) **Field of Search** D9/516, 517, 523, D9/526, 527, 528, 530, 531, 534, 537, 538, 541, 549, 551, 564, 572, 573, 574, 575; D7/510, 605; 206/217, 222, 527, 815; 215/40, 41, 386-389, 400; 220/200, 260, 288

* cited by examiner

Primary Examiner—Ted Shooman

Assistant Examiner—Daniel Bui

(74) *Attorney, Agent, or Firm*—Christie, Parker & Hale, LLP

(57) **CLAIM**

The ornamental design for bottle, as shown and described.

DESCRIPTION

FIG. 1 is a perspective view of a bottle;
FIG. 2 is a first side view of the bottle;
FIG. 3 is a front view of the bottle;
FIG. 4 is a second side view of the bottle;
FIG. 5 is a rear view of the bottle;
FIG. 6 is a top view of the bottle; and,
FIG. 7 is a bottom view of the bottle.
The broken line showing of the environment is for illustrative purposes only and forms no part of the claimed design.

(56) **References Cited**

U.S. PATENT DOCUMENTS

628,269 A	*	7/1899	Lloyd
D182,940 S		5/1958	Williams
D200,364 S		2/1965	Brody
3,406,875 A		10/1968	Park
D217,332 S		4/1970	Weckman
D222,628 S		11/1971	Beckamn
D258,198 S		2/1981	Segal

1 Claim, 6 Drawing Sheets

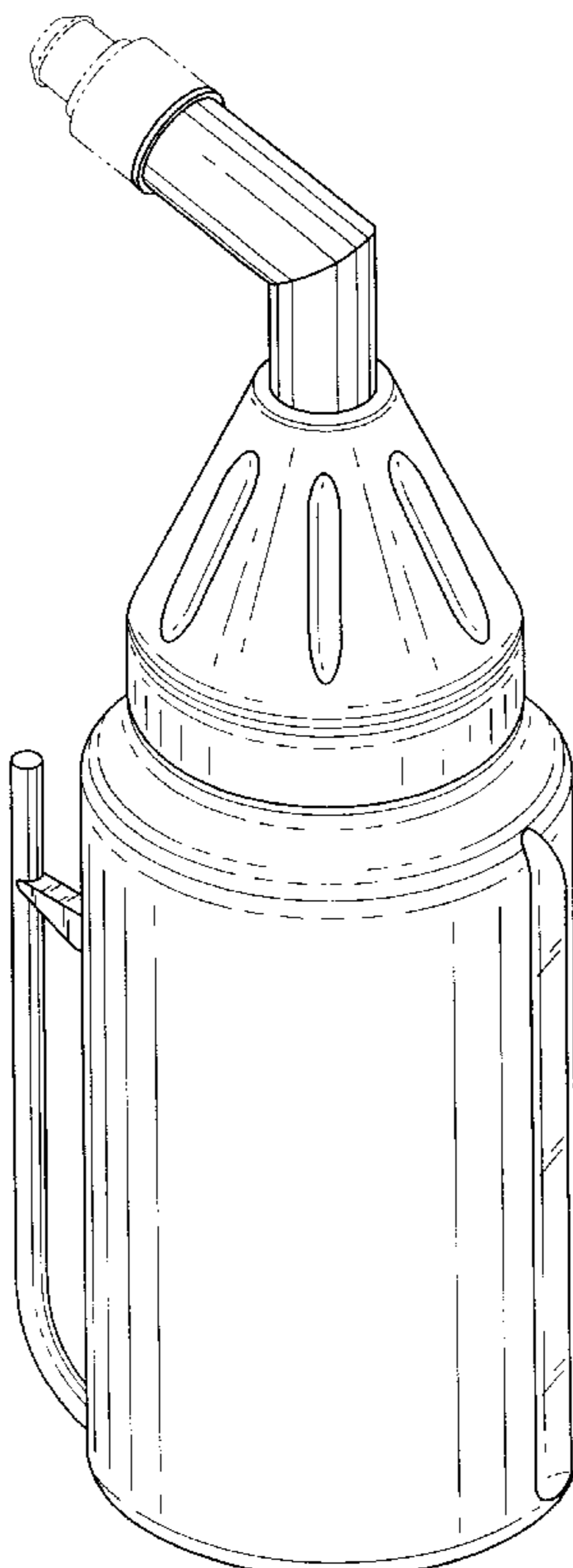
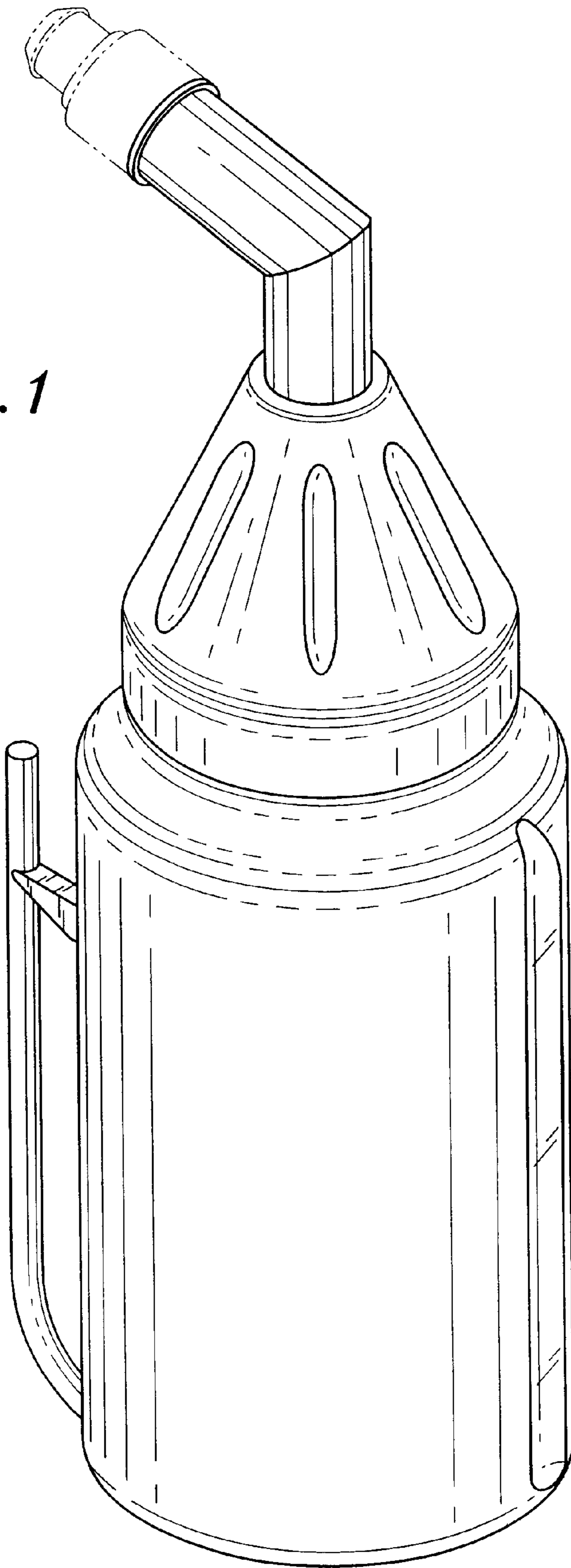


FIG. 1



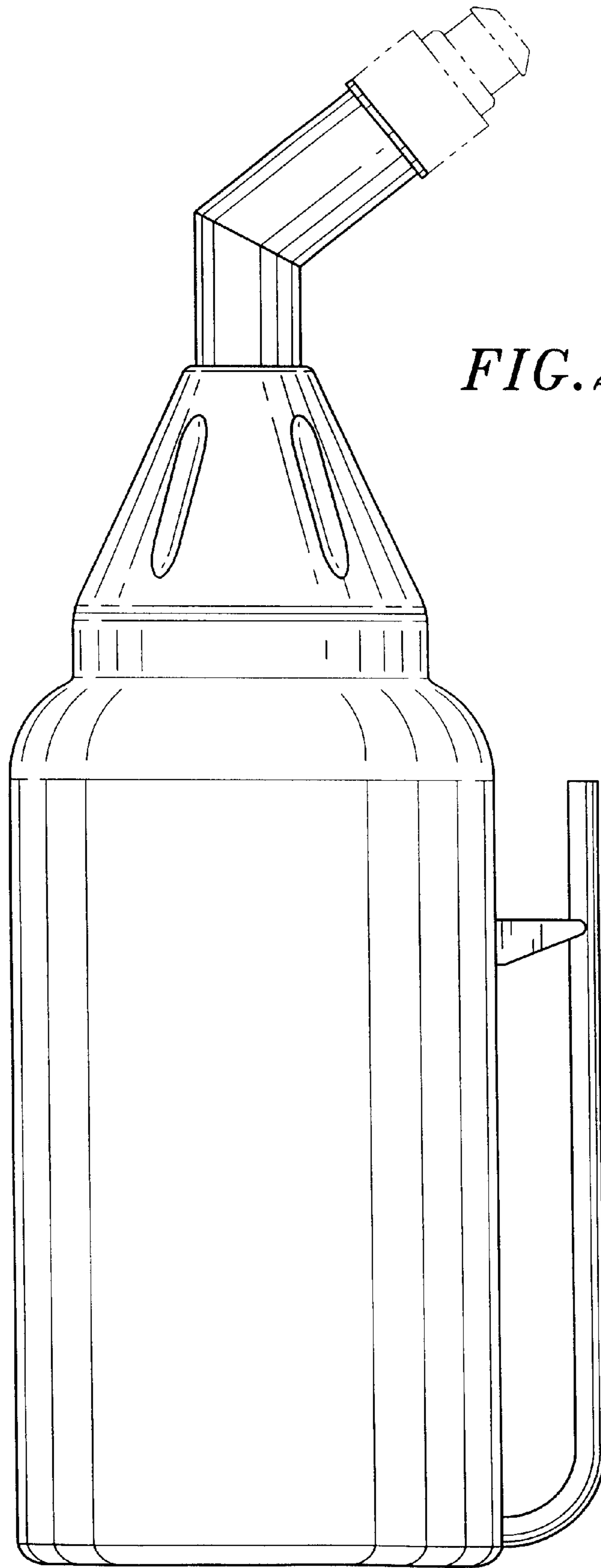


FIG. 2

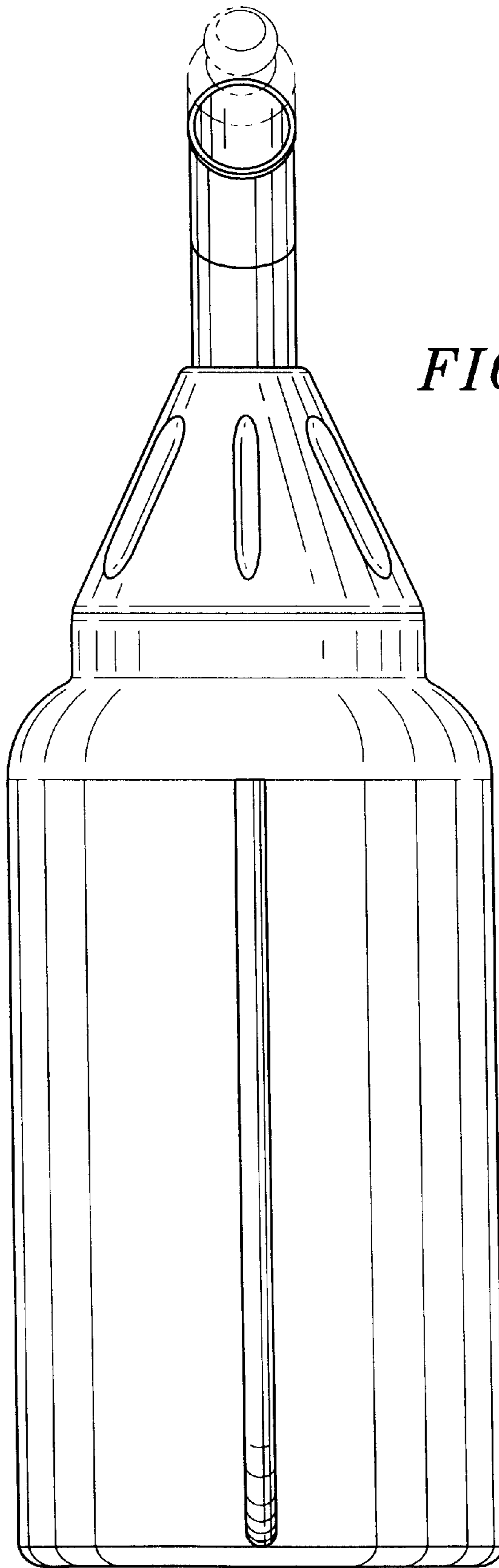


FIG. 3

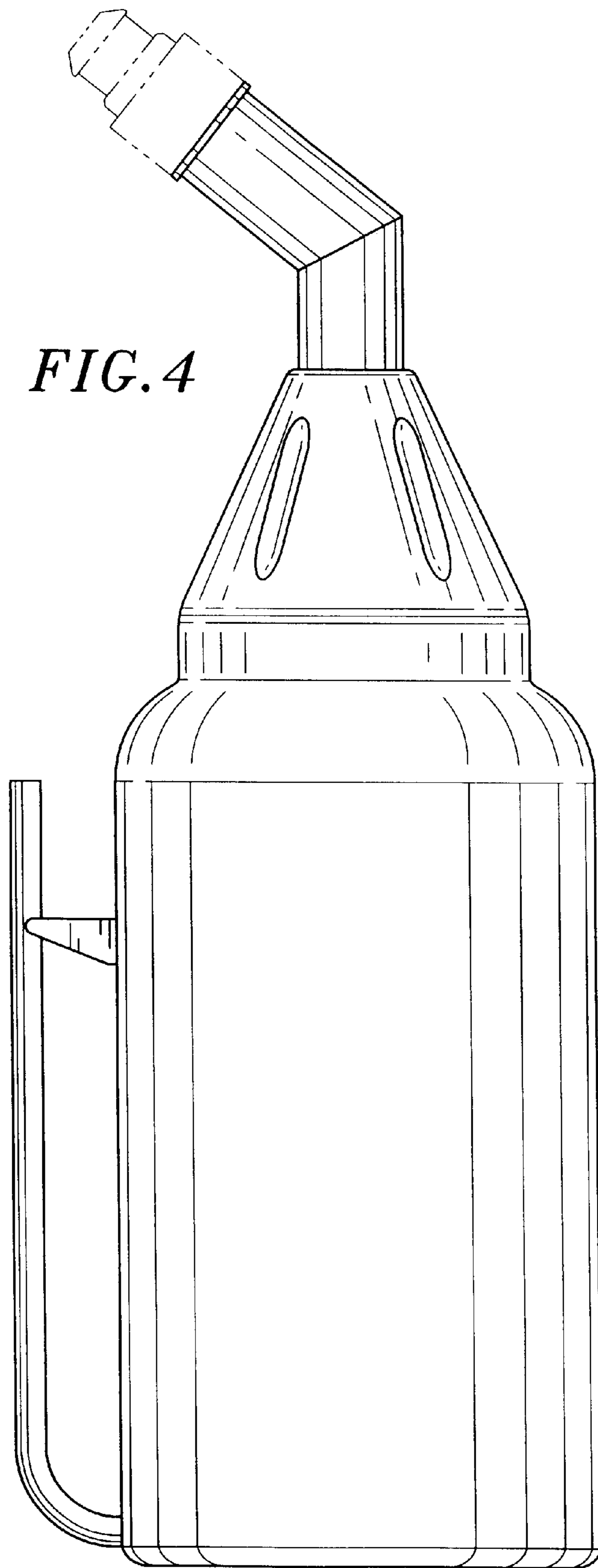


FIG. 4

FIG. 5

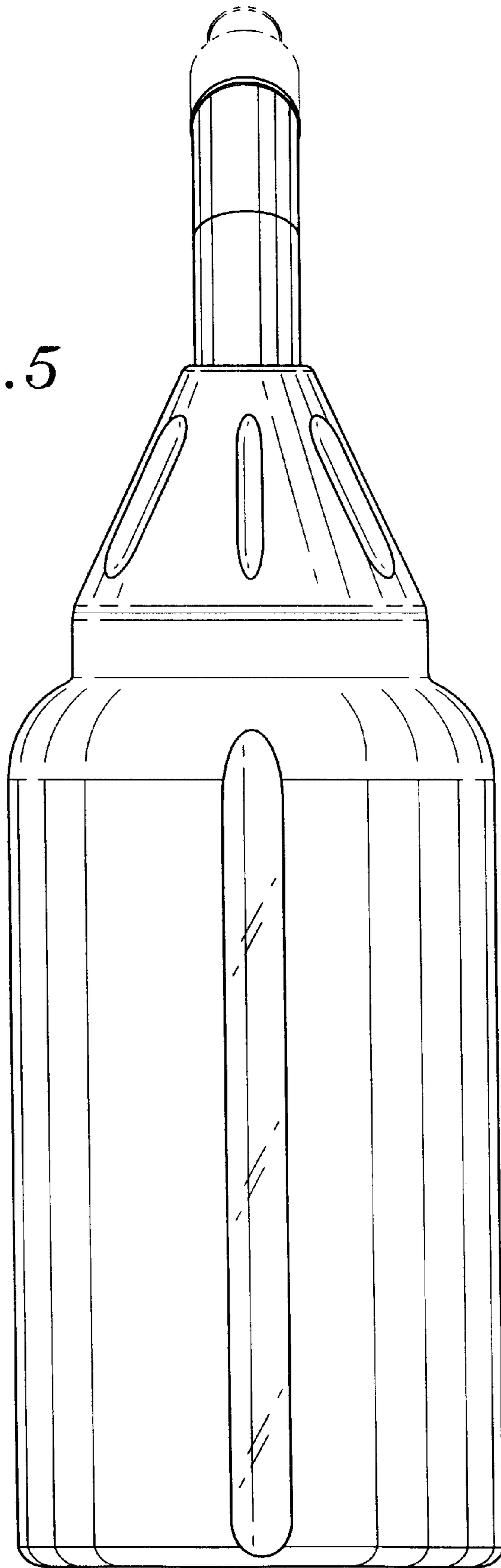


FIG. 6

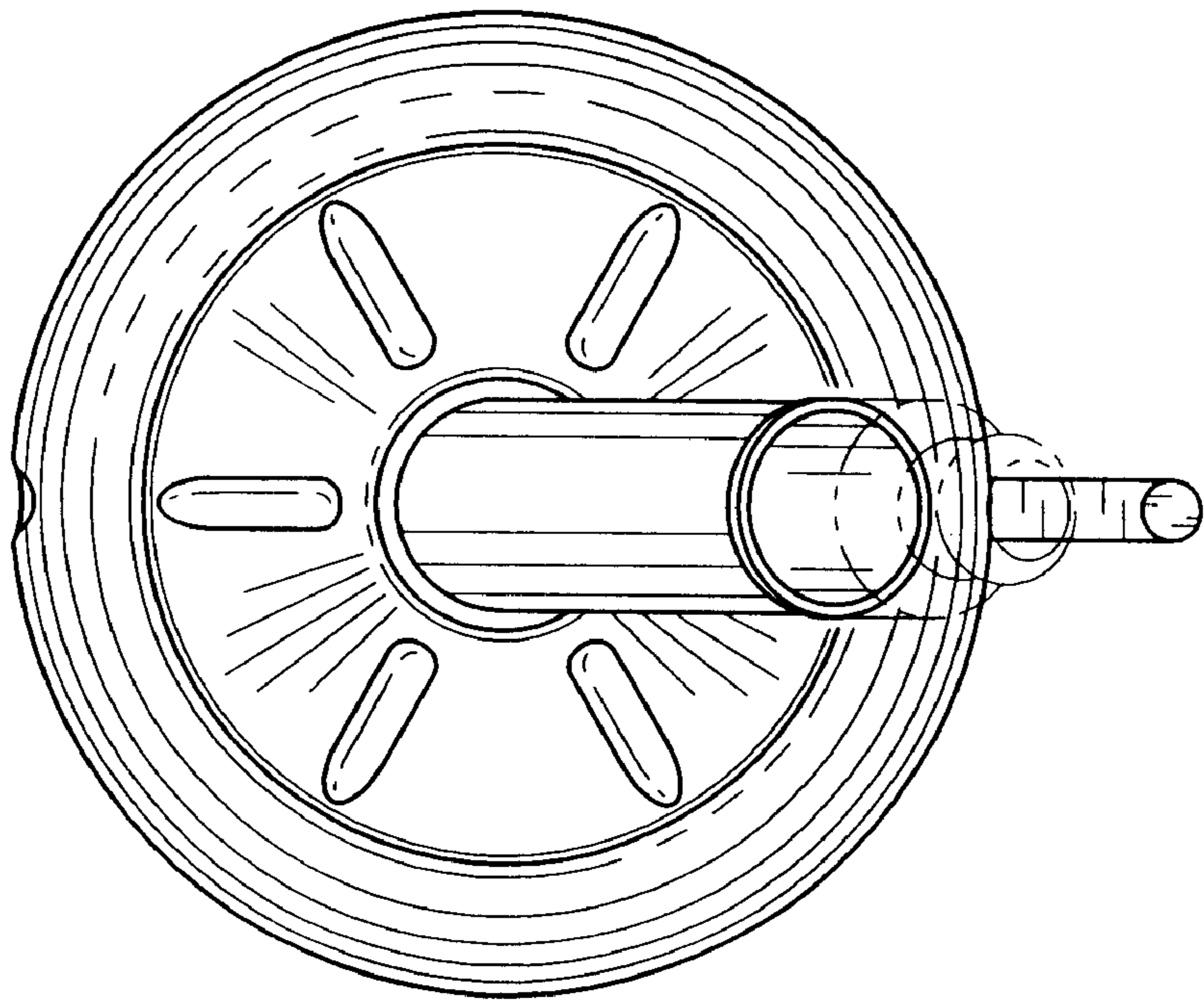


FIG. 7

