



US00D478807S

(12) **United States Design Patent**
Dubiel et al.

(10) **Patent No.:** **US D478,807 S**

(45) **Date of Patent:** **** Aug. 26, 2003**

- (54) **DRINKING CUP PACKAGING FOR GOLF BALLS**
- (75) Inventors: **Jeffrey J. Dubiel**, West Springfield, MA (US); **Edward G. Several**, Simsbury, CT (US)
- (73) Assignee: **Spalding Sports Worldwide, Inc.**, Chicopee, MA (US)
- (**) Term: **14 Years**

- D347,974 S 6/1994 McBride
- D363,021 S 10/1995 Lombard
- D369,972 S 5/1996 Solheim
- D370,340 S 6/1996 Berger
- D374,175 S 10/1996 Tesar
- D394,386 S 5/1998 Fischer
- D403,957 S * 1/1999 Bright et al. D9/428
- D417,075 S 11/1999 Baxter et al.
- D449,982 S * 11/2001 Ferris D9/337
- D455,189 S * 4/2002 Bradbury D21/811
- D456,245 S * 4/2002 Ferris D9/337
- D457,721 S 5/2002 Matyas

- (21) Appl. No.: **29/166,223**
- (22) Filed: **Aug. 23, 2002**

- (51) **LOC (7) Cl.** **09-03**
- (52) **U.S. Cl.** **D9/337**
- (58) **Field of Search** D9/337, 338, 339, D9/341, 549, 574, 415, 418, 424, 431, 436, 454; 206/216, 217, 223, 579, 315.1; 220/507

* cited by examiner

Primary Examiner—Ted Shooman
Assistant Examiner—Daniel Bui

(57) **CLAIM**

The ornamental design for a drinking cup packaging for golf balls, as shown and described.

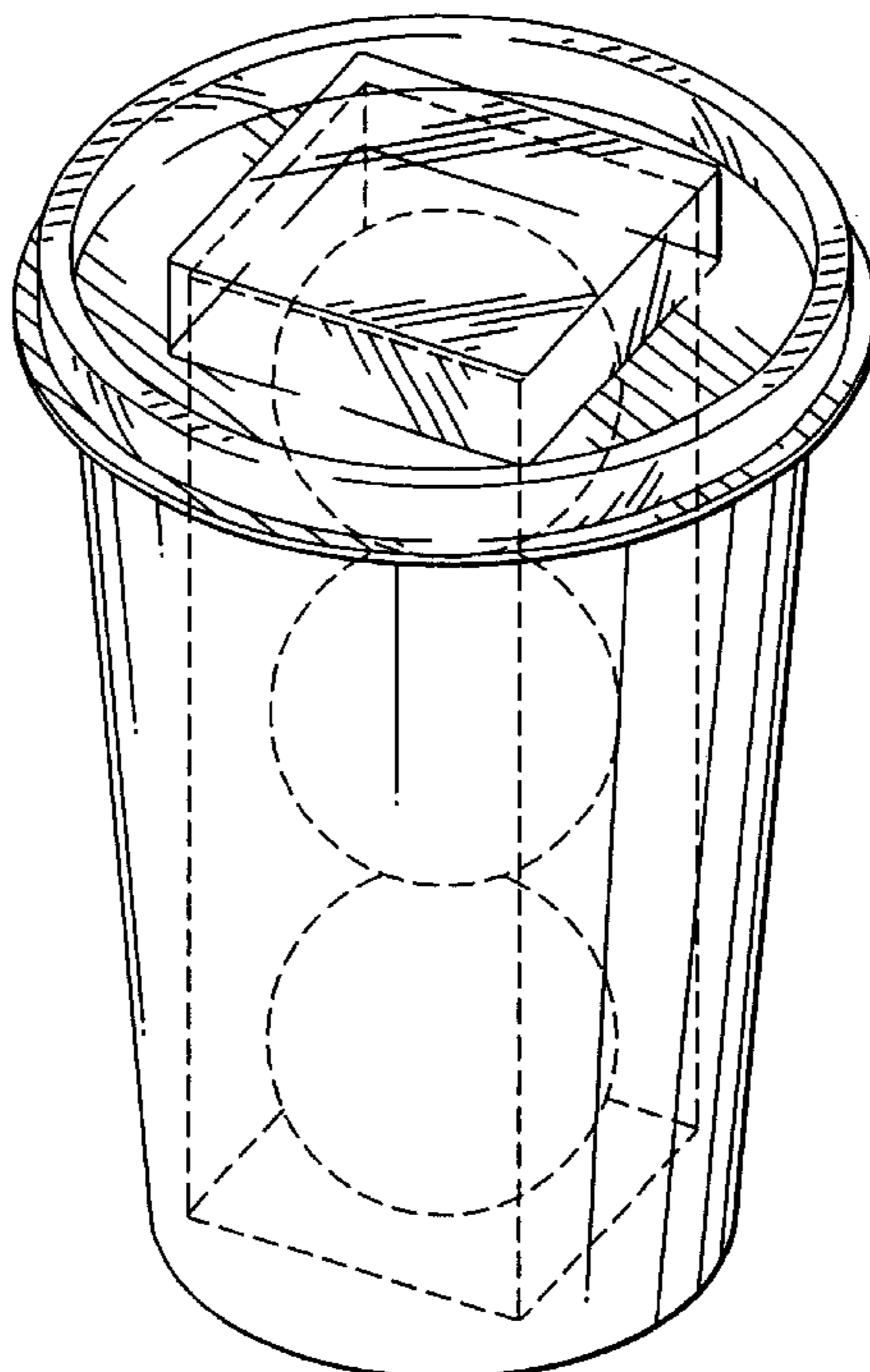
DESCRIPTION

FIG. 1 is a perspective view of drinking cup packaging for golf balls showing our new design; FIG. 2 is a front elevation view thereof; FIG. 3 is a first side elevation view thereof; FIG. 4 is a rear elevation view thereof; FIG. 5 is the other side elevation view thereof; FIG. 6 is a top plan view thereof; and, FIG. 7 is a bottom plan view thereof.

The parts shown in broken lines in FIGS. 1-7 are shown for illustrative purposes only and forms no part of the claimed design.

- (56) **References Cited**
- U.S. PATENT DOCUMENTS**
- 3,233,727 A * 2/1966 Wilson 206/46
- D243,832 S * 3/1977 Shveda D7/507
- D260,488 S 9/1981 Kinneary
- 4,729,472 A * 3/1988 Lubin et al. 206/315.9
- D305,733 S 1/1990 Ferris
- D317,120 S * 5/1991 Schwartzburg D9/503
- D320,558 S * 10/1991 Timm D9/435
- D330,524 S 10/1992 Goserud
- D334,727 S 4/1993 Goserud
- D345,531 S 3/1994 Goserud
- D345,532 S 3/1994 Goserud

1 Claim, 4 Drawing Sheets



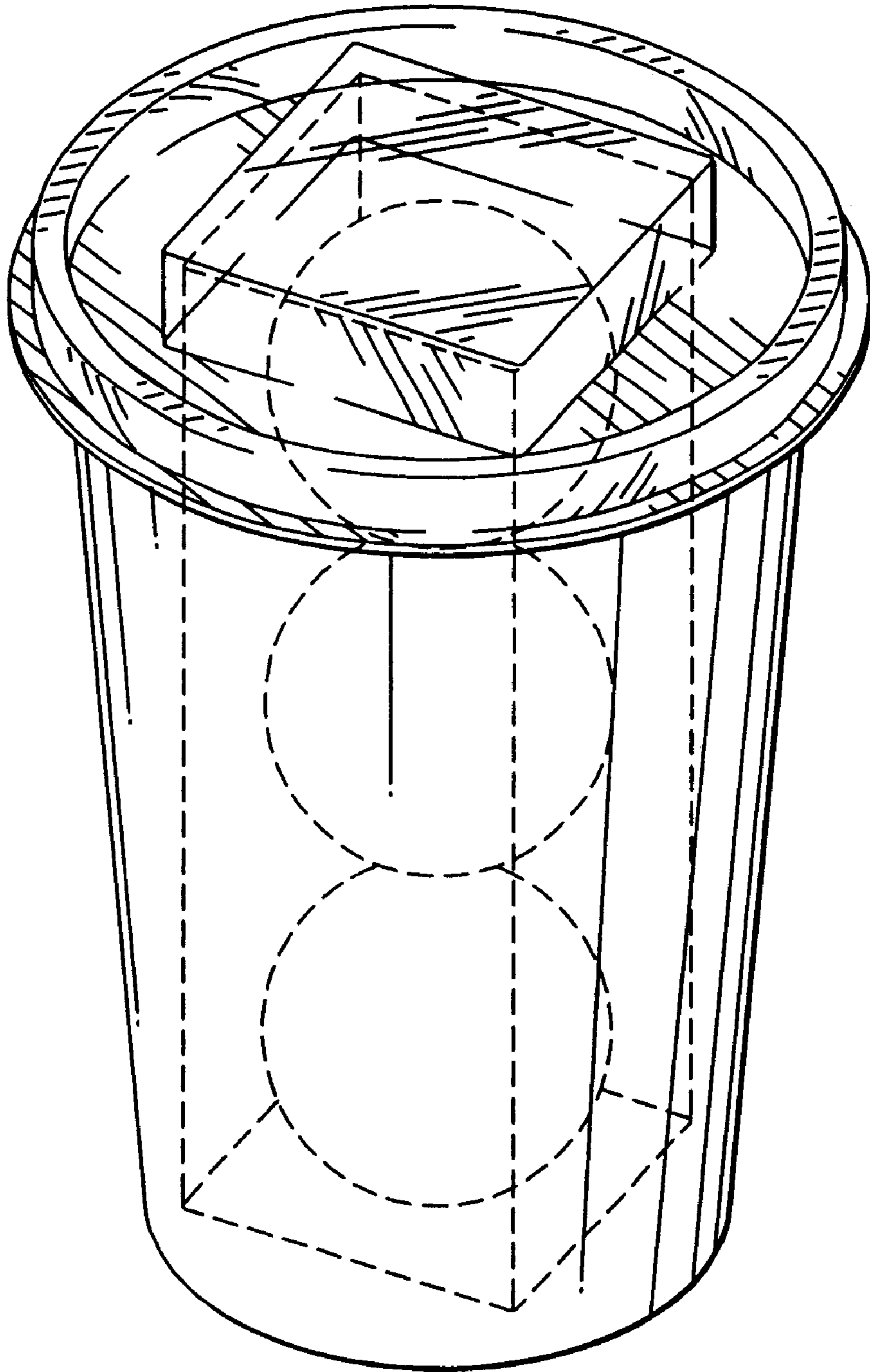


FIG. 1

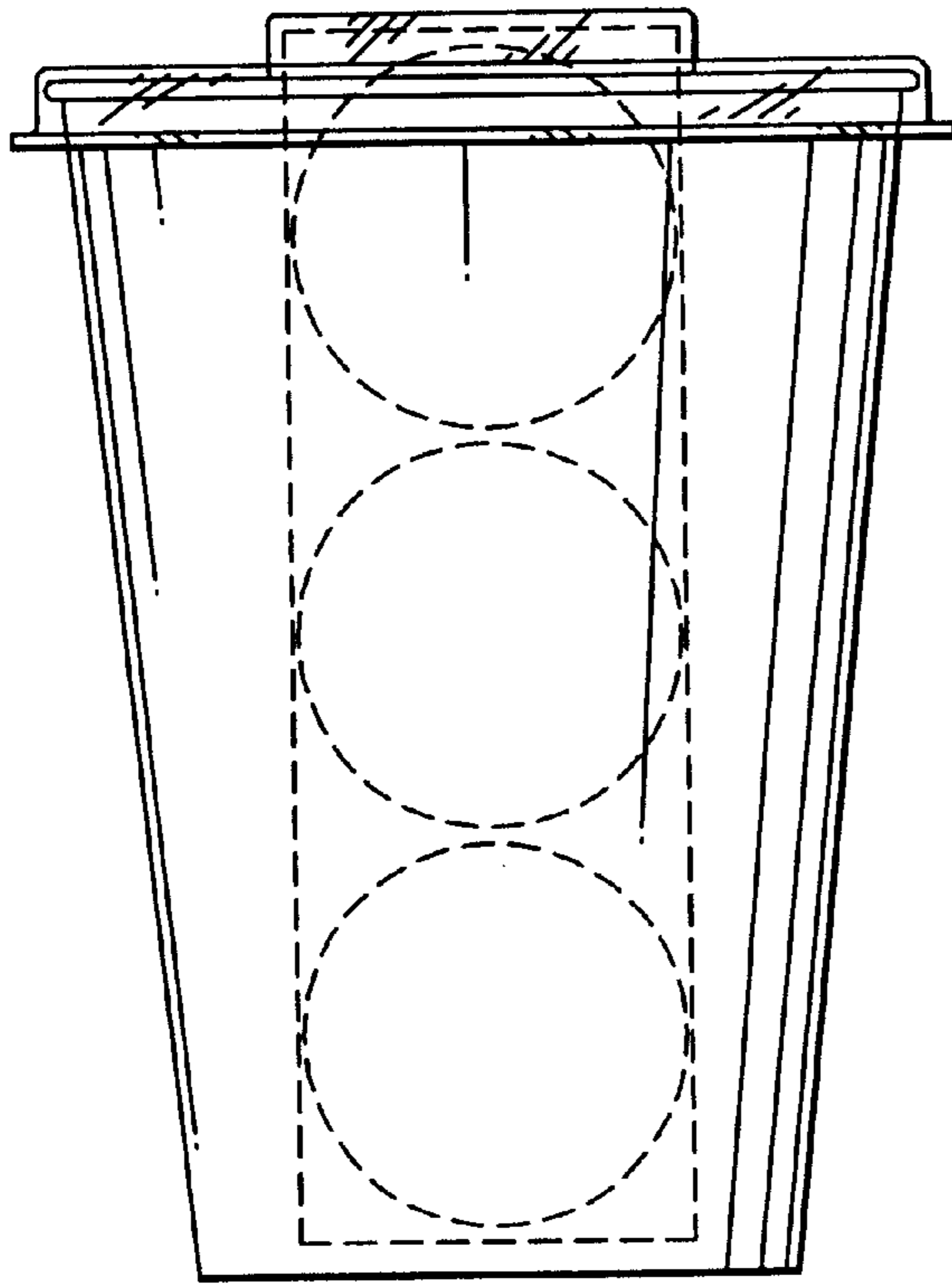


FIG. 2

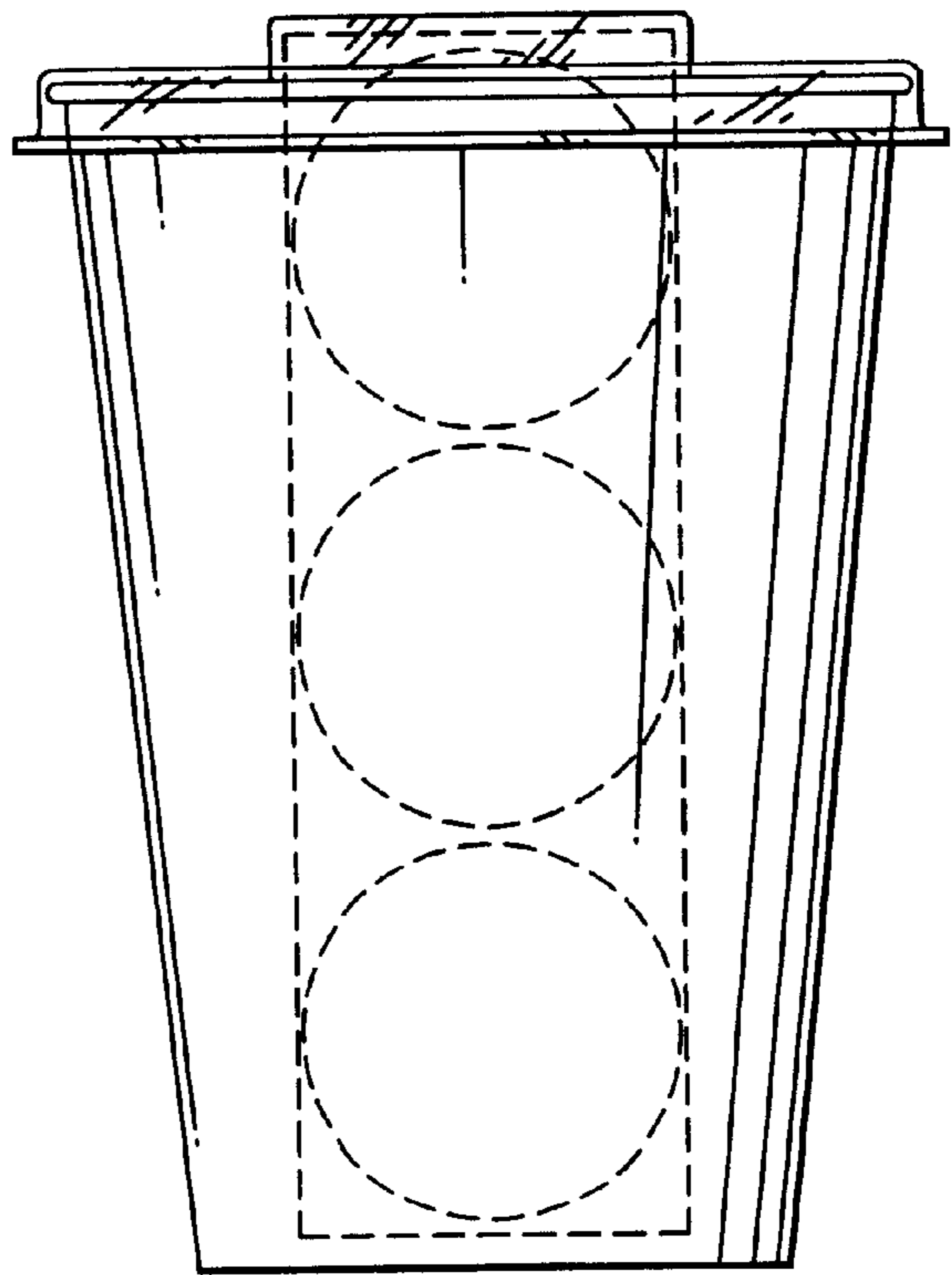


FIG. 3

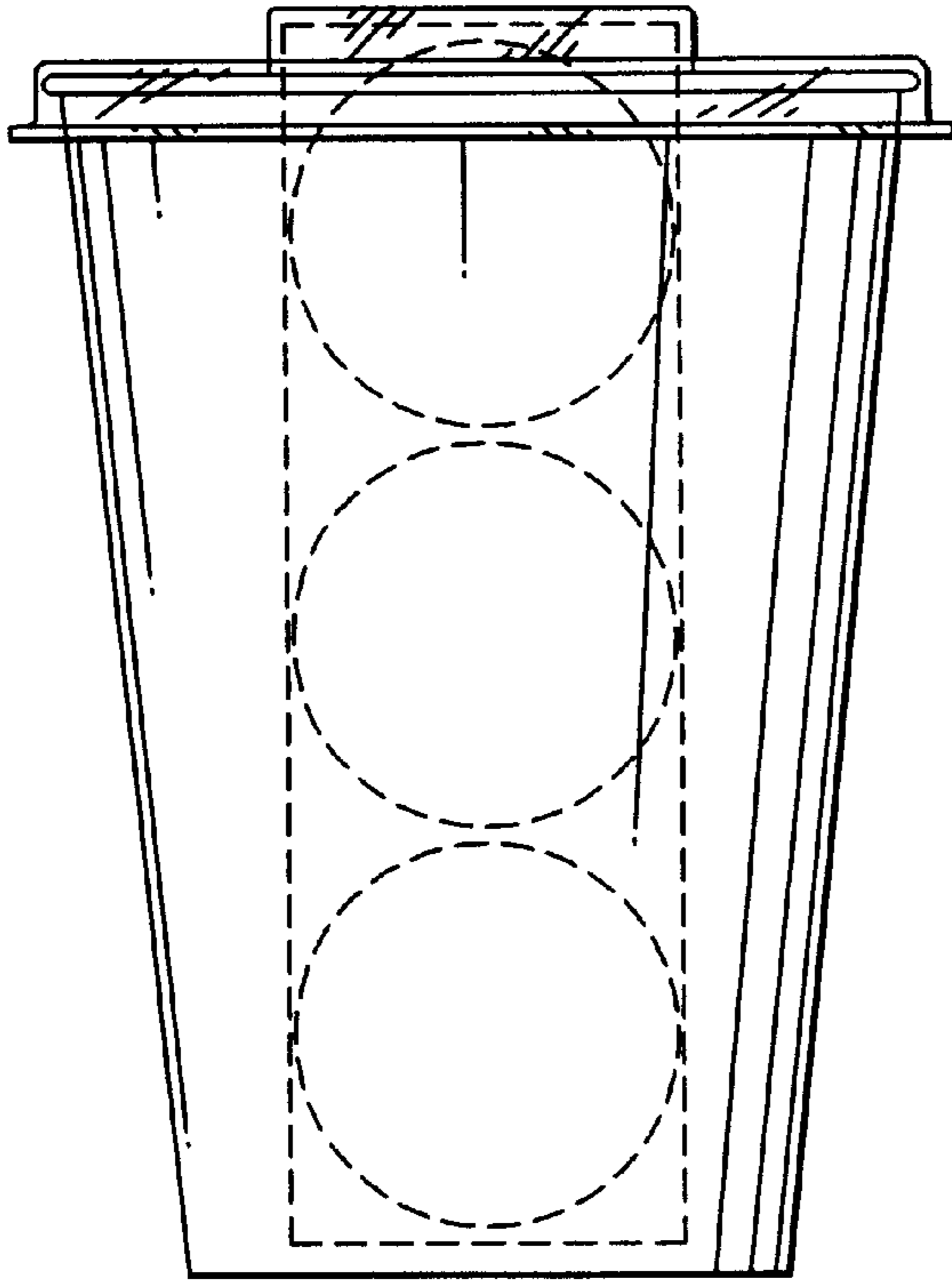


FIG. 4

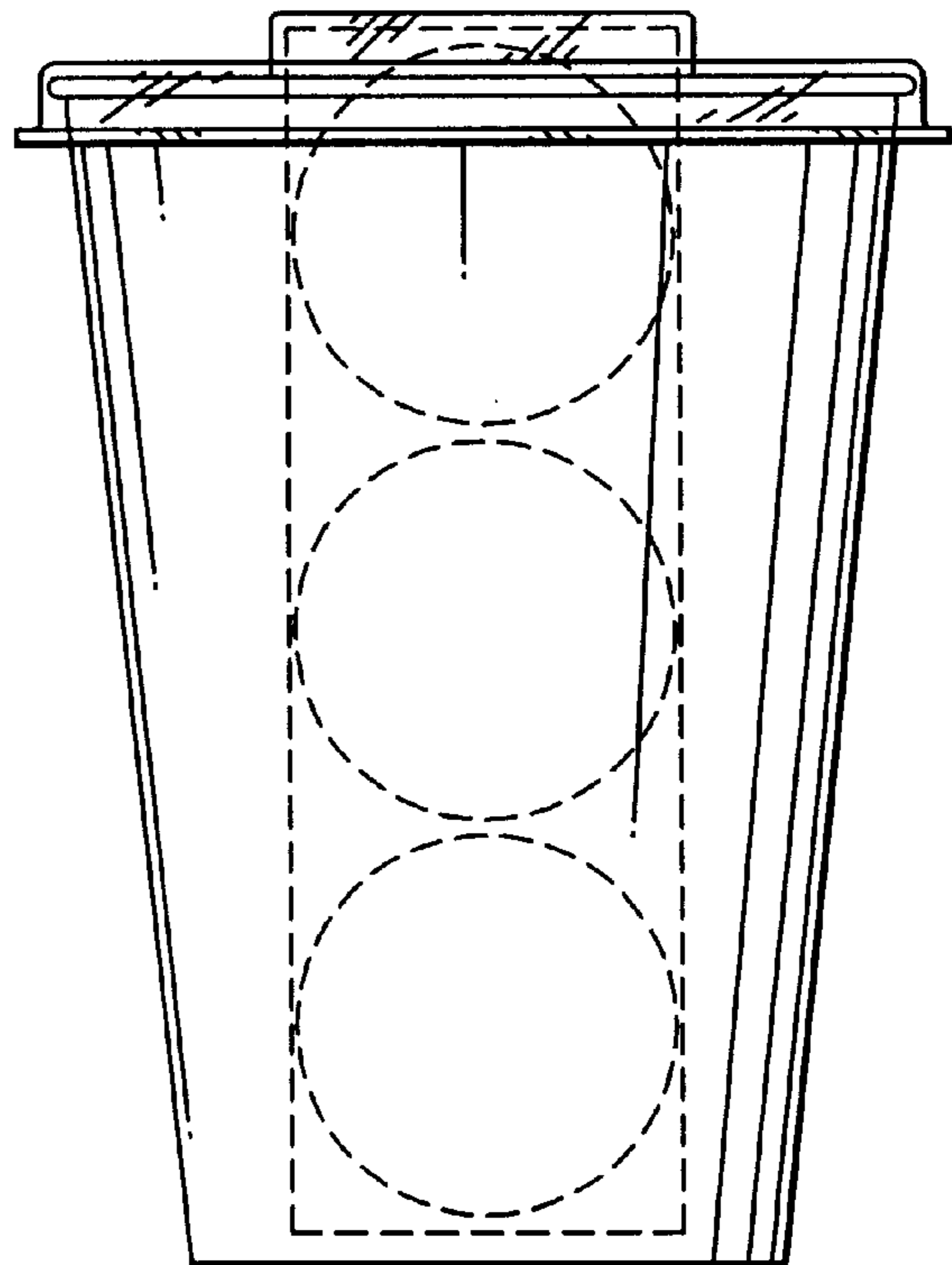


FIG. 5

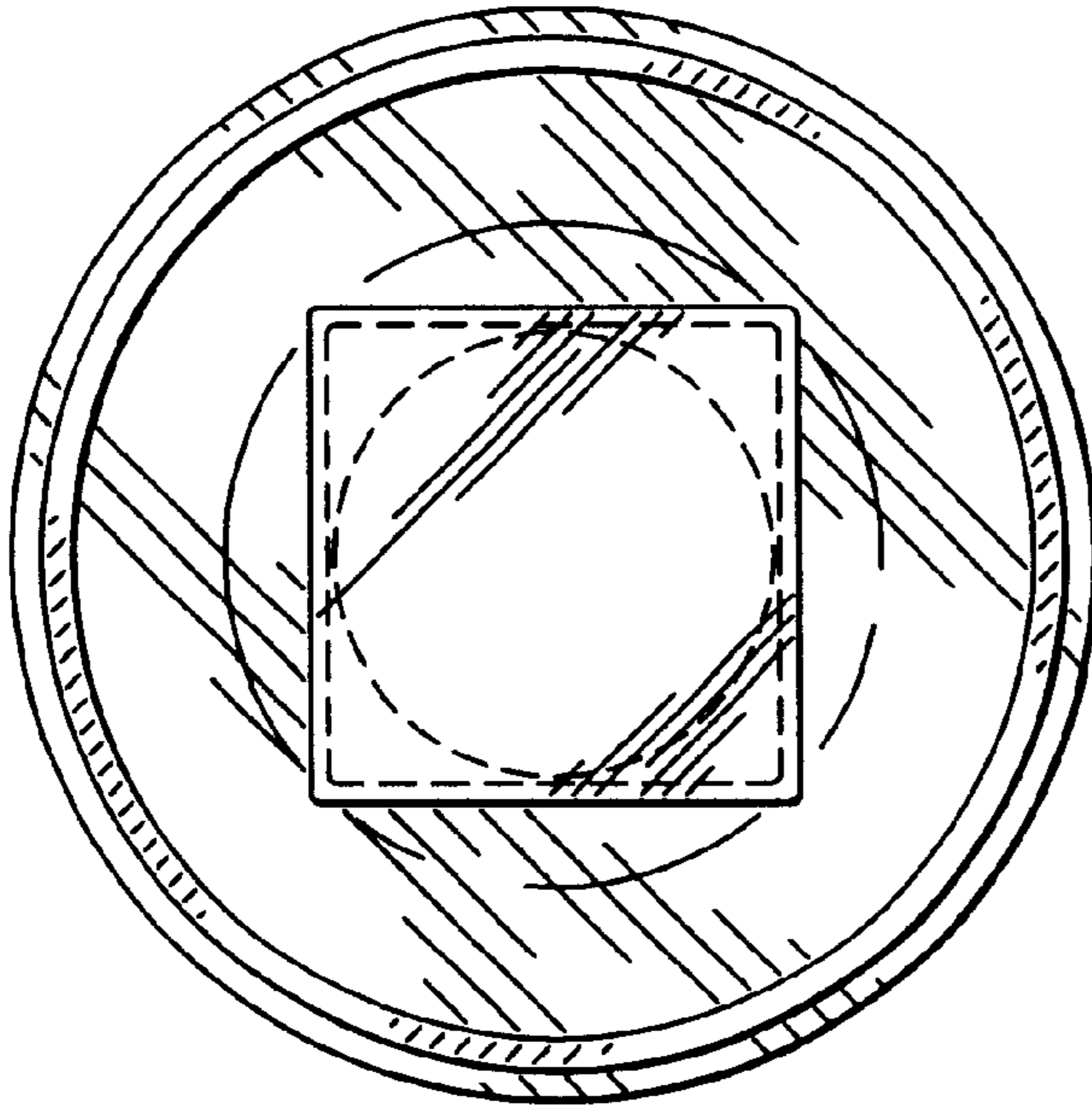


FIG. 6

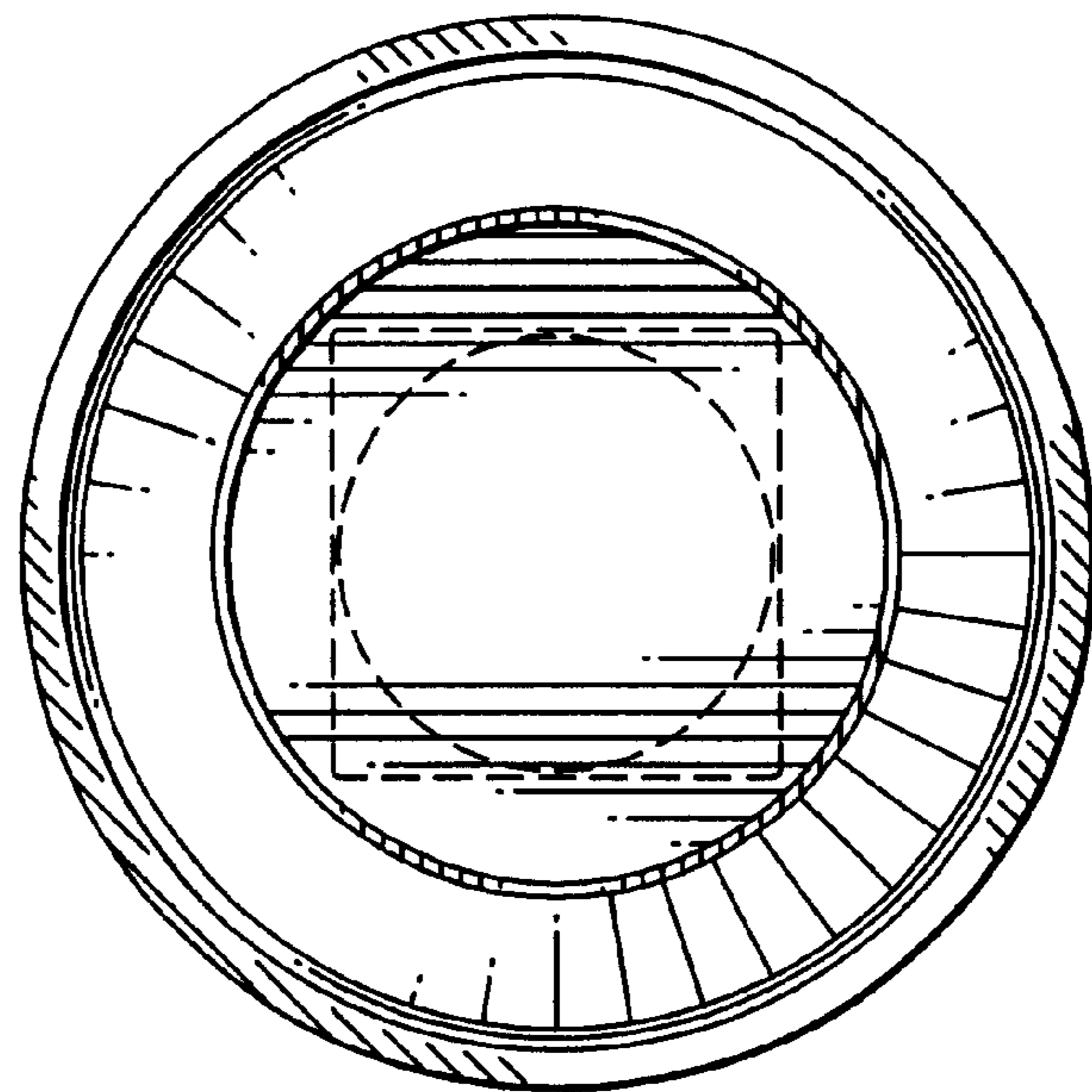


FIG. 7