



US00D478805S

(12) **United States Design Patent**  
**Winig et al.**

(10) **Patent No.:** **US D478,805 S**

(45) **Date of Patent:** **\*\* Aug. 26, 2003**

(54) **HOOK ASSEMBLY**

(75) Inventors: **Alan Winig**, Wynnewood, PA (US);  
**Richard Winig**, Villanova, PA (US);  
**James Eldon**, Barto, PA (US)

(73) Assignee: **Eye Designs LLC**, Collegeville, PA (US)

(\*\*) Term: **14 Years**

(21) Appl. No.: **29/172,509**

(22) Filed: **Dec. 12, 2002**

(51) **LOC (7) Cl.** ..... **08-05**

(52) **U.S. Cl.** ..... **D8/367**

(58) **Field of Search** ..... D8/367, 380, 395,  
D8/373; 248/217.2, 206.5, 301-305, 316.7,  
489, 74.2; 24/508, 509, 67.9, 563, 545,  
3.12; D6/326; 211/113, 13; 411/41; 361/704

(56) **References Cited**

**U.S. PATENT DOCUMENTS**

3,343,773 A \* 9/1967 Lorenz ..... 248/217.2  
D295,811 S \* 5/1988 Larsson ..... D6/326

5,409,336 A \* 4/1995 Jericevich et al. .... 411/41  
5,489,078 A \* 2/1996 Risley ..... 248/231.81  
5,496,005 A \* 3/1996 Dieringer ..... 248/74.2  
5,720,398 A \* 2/1998 Kump et al. .... 211/113  
5,731,955 A \* 3/1998 Bartanen et al. .... 361/704  
D418,744 S \* 1/2000 Anderson ..... D8/395

\* cited by examiner

*Primary Examiner*—Pamela Burgess

(74) *Attorney, Agent, or Firm*—Duane Morris LLP

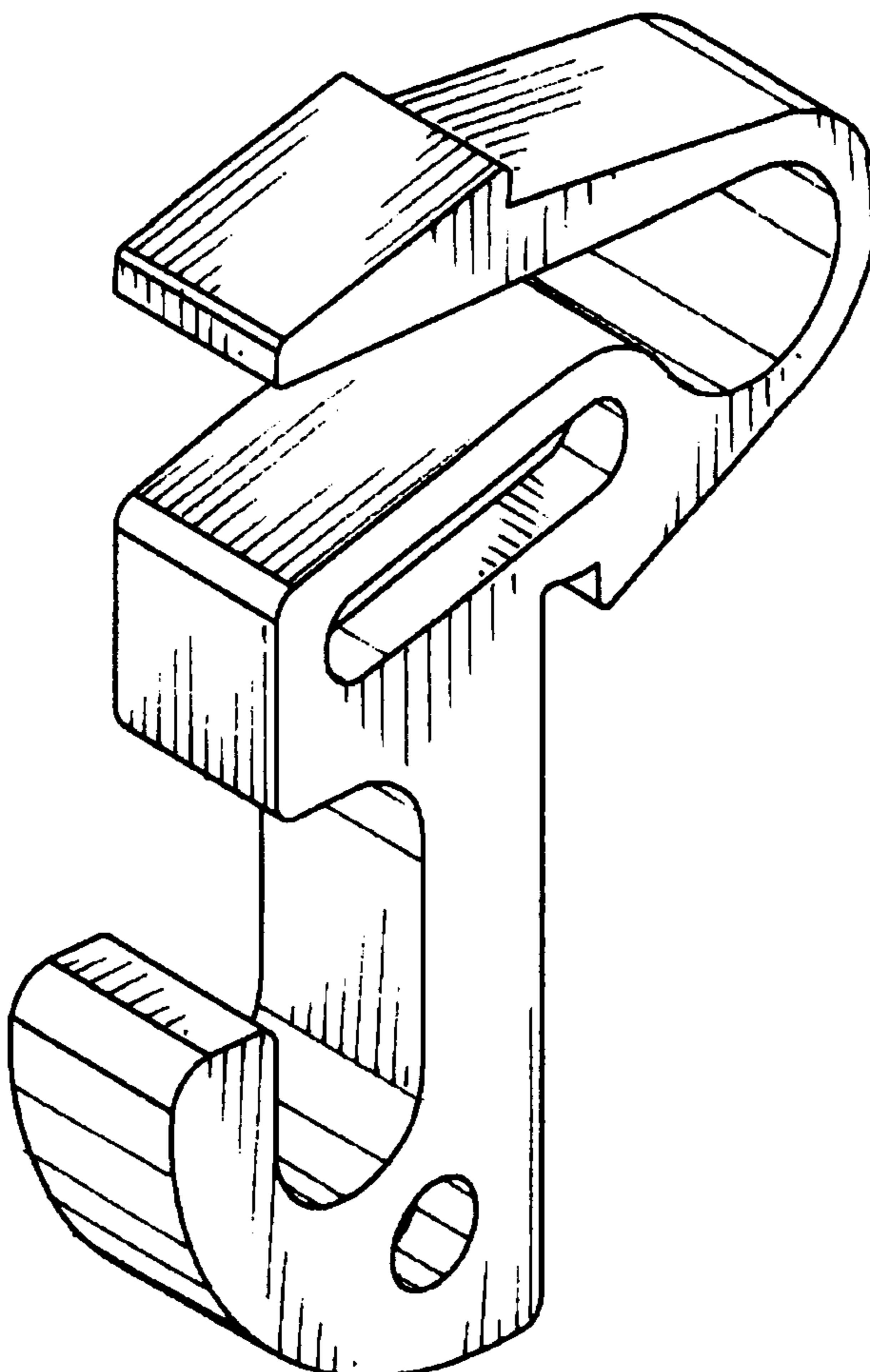
(57) **CLAIM**

The ornamental design for a hook assembly, as shown and described.

**DESCRIPTION**

FIG. 1 is a perspective view of the hook assembly according to the invention;  
FIG. 2 is a right side view of the hook assembly;  
FIG. 3 is a left side view of the hook assembly;  
FIG. 4 is a front view of the hook assembly;  
FIG. 5 is a rear view of the hook assembly;  
FIG. 6 is a top view of the hook assembly; and,  
FIG. 7 is a bottom view of the hook assembly.

**1 Claim, 3 Drawing Sheets**



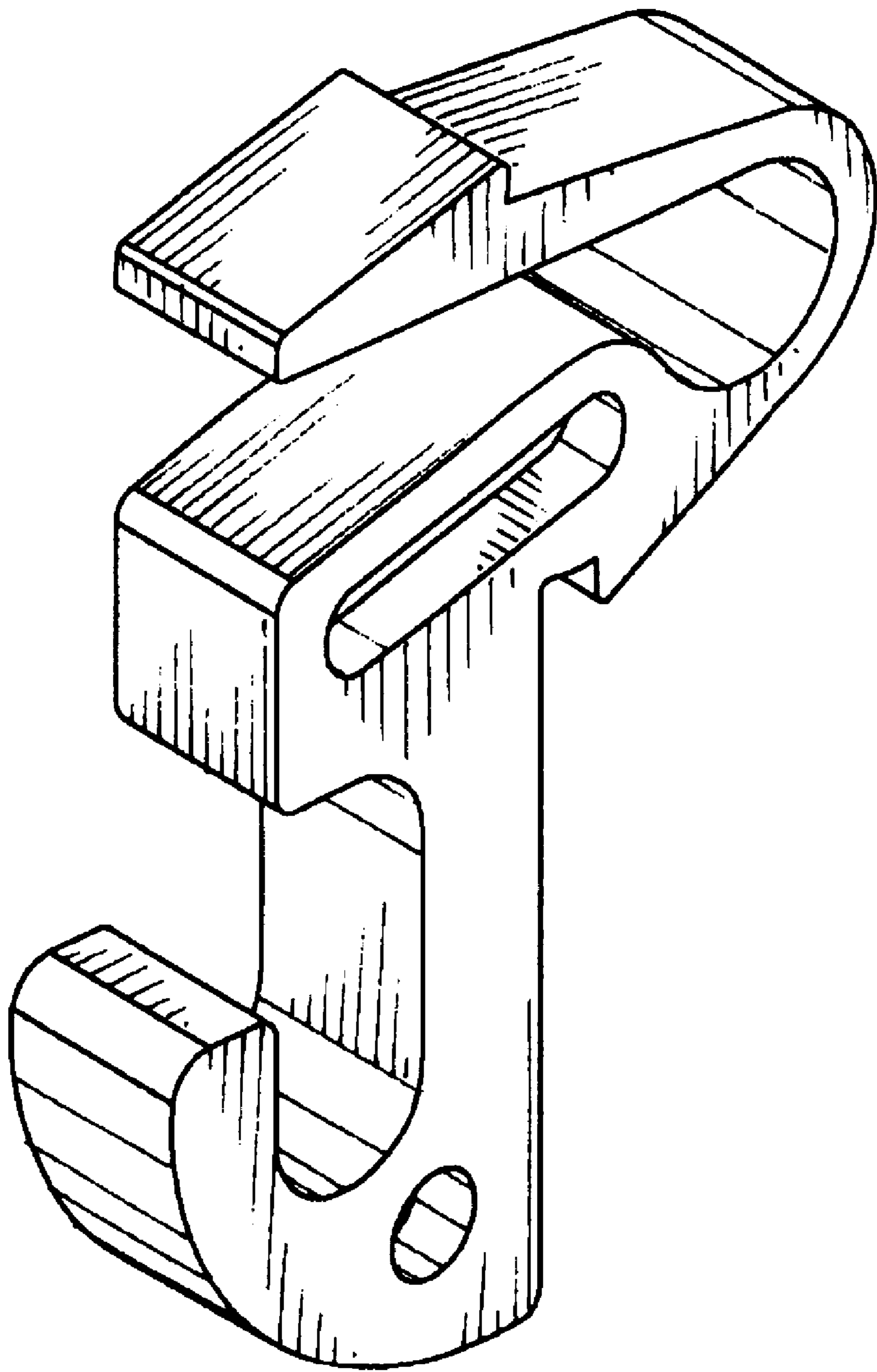


FIG. 1

FIG. 2

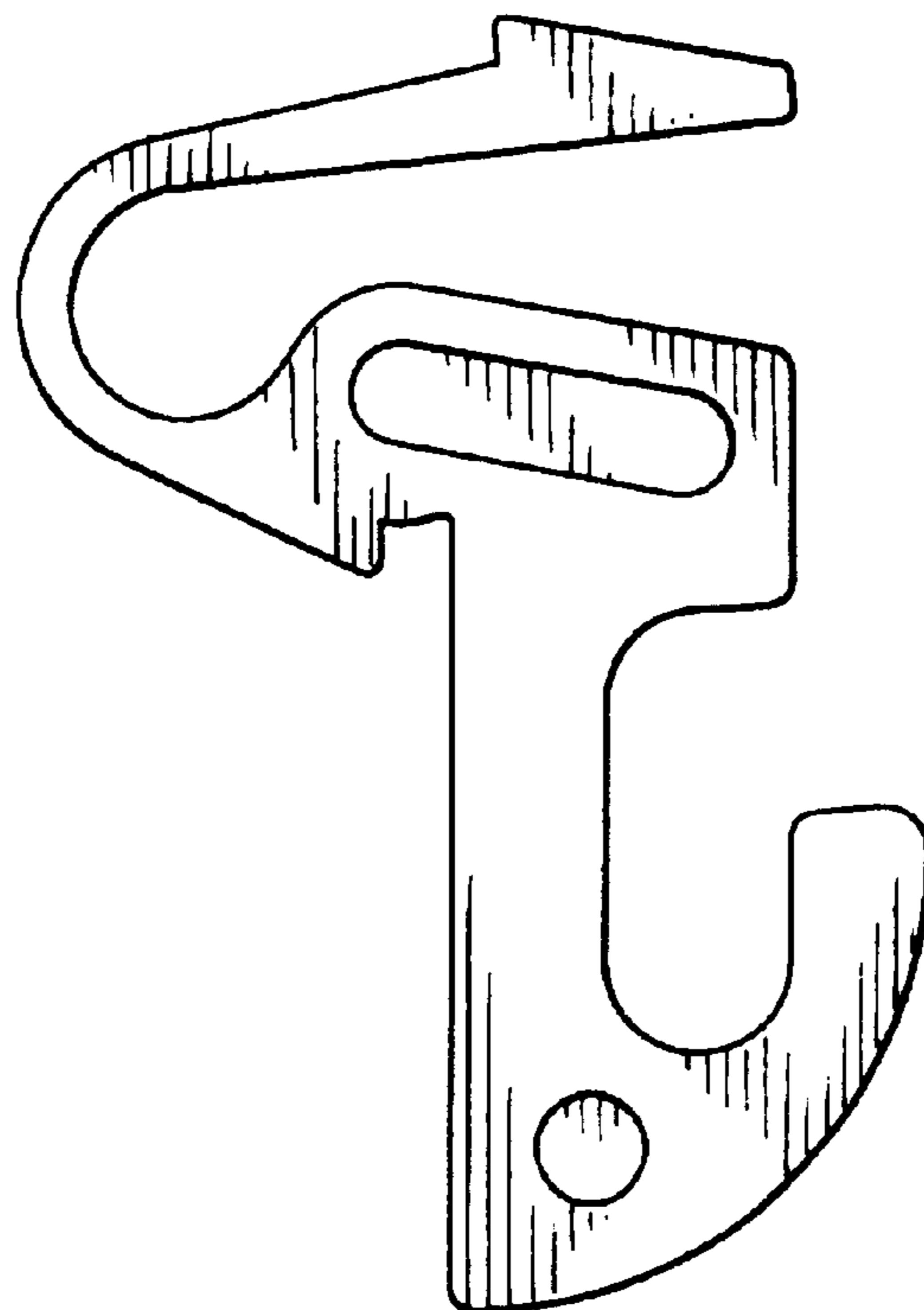
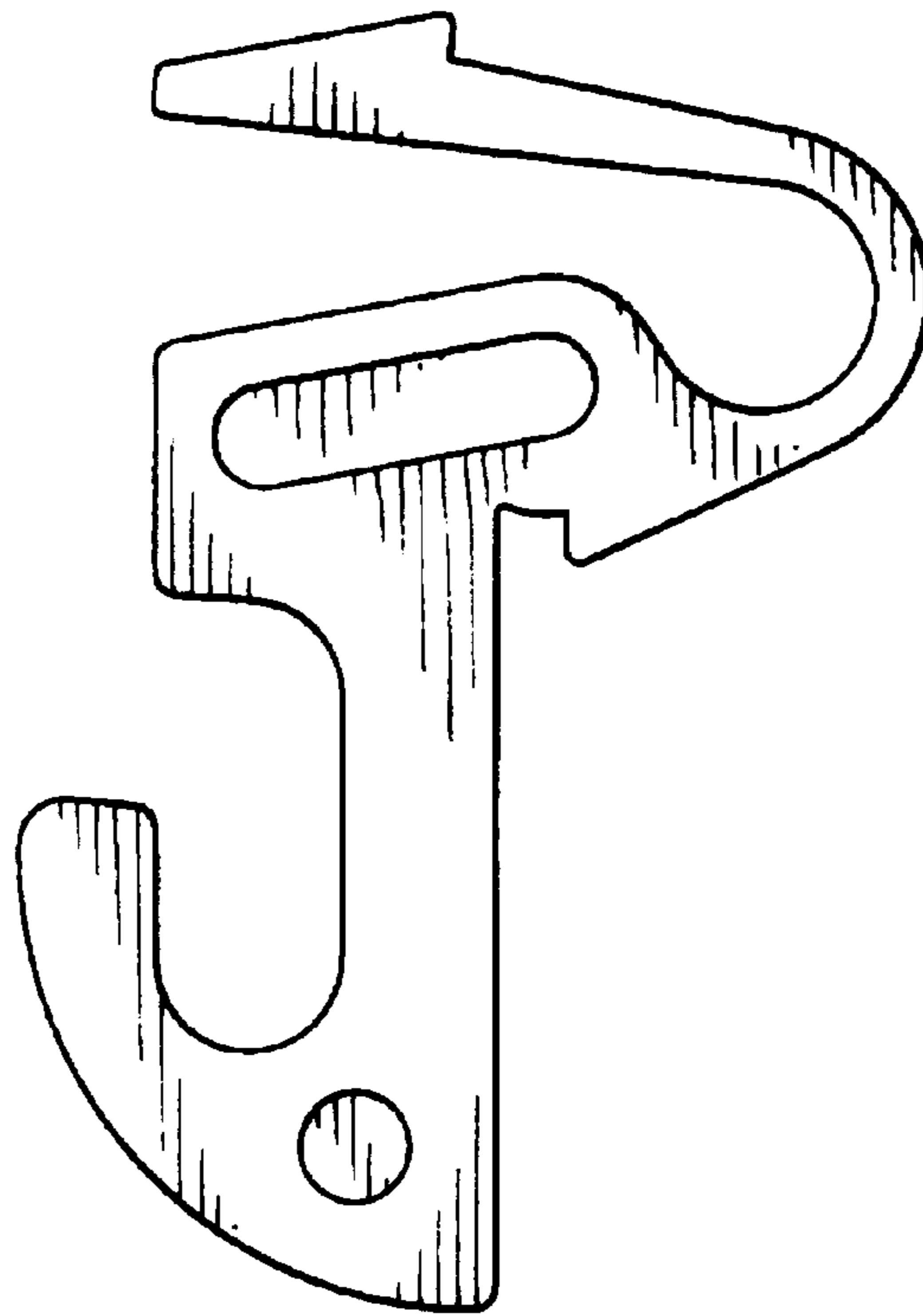


FIG. 3

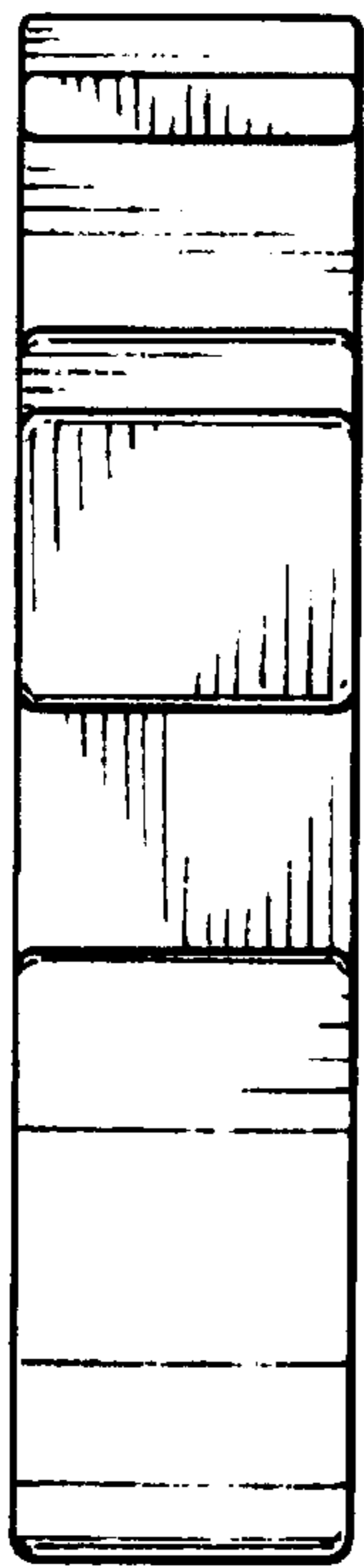


FIG. 4

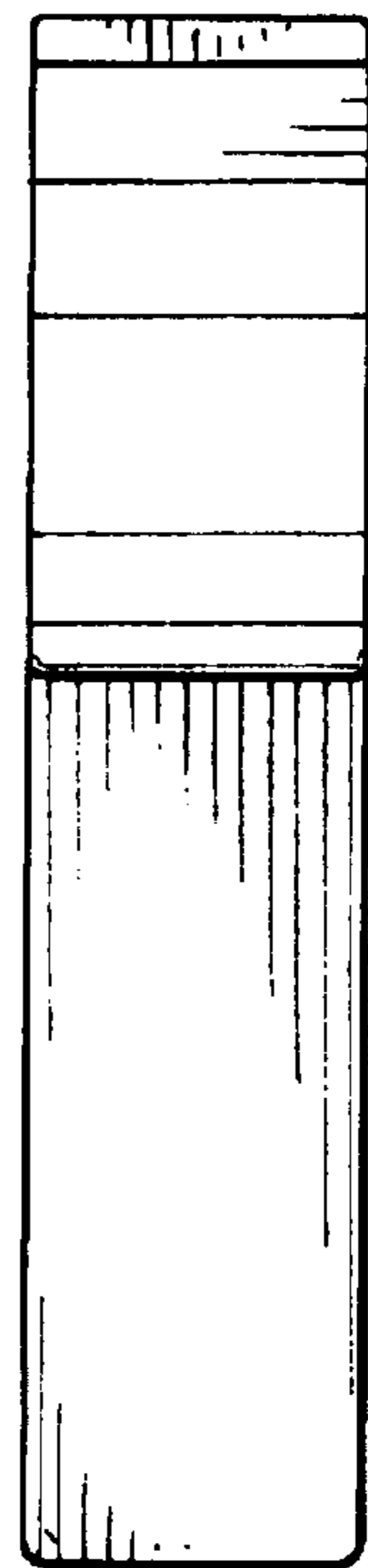


FIG. 5

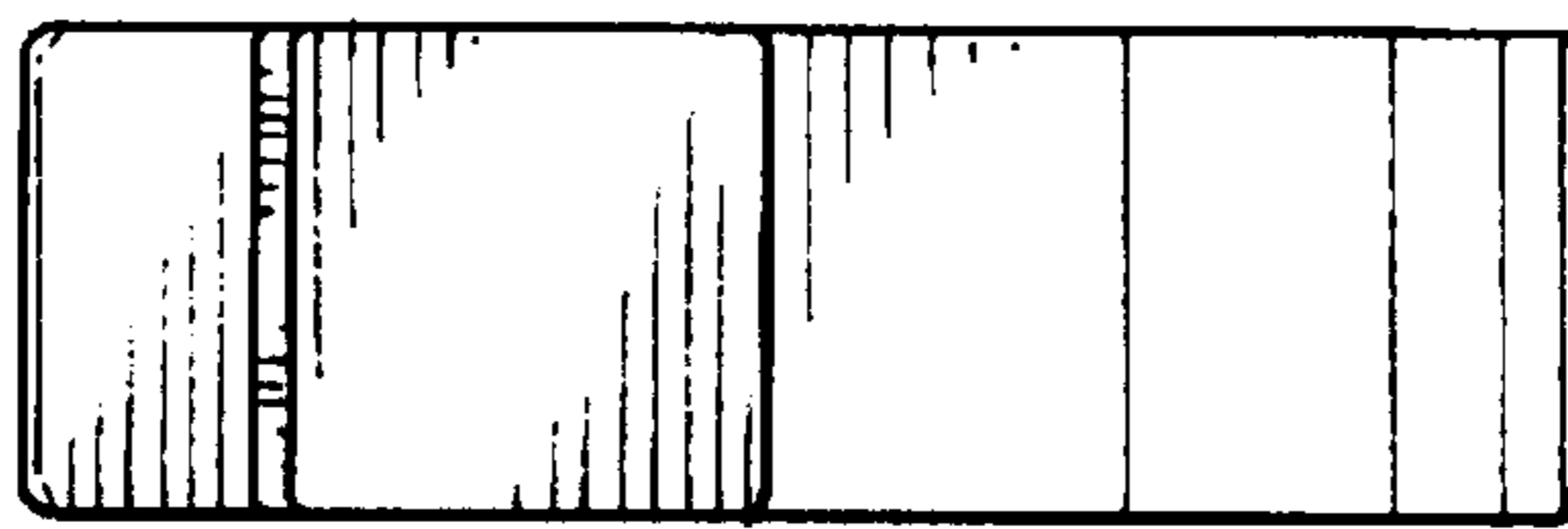


FIG. 6



FIG. 7