



US00D478804S

(12) **United States Design Patent**  
**Titus**

(10) **Patent No.:** **US D478,804 S**

(45) **Date of Patent:** **\*\* Aug. 26, 2003**

(54) **CURTAIN ROD BRACKET**

(76) Inventor: **Dana Titus**, 215 Sheldonville Rd.,  
North Attleboro, MA (US) 02760

(\*\*) Term: **14 Years**

(21) Appl. No.: **29/170,280**

(22) Filed: **Nov. 4, 2002**

(51) **LOC (7) Cl.** ..... **08-05**

(52) **U.S. Cl.** ..... **D8/363**

(58) **Field of Search** ..... D8/349, 354, 355,  
D8/363, 366, 371, 373, 380, 377; 211/86.01,  
87.01; 248/200, 201, 205.1, 214, 216.1,  
220.1, 254, 259, 261, 262, 264, 265, 270,  
300, 309.1, 317

(56) **References Cited**

**U.S. PATENT DOCUMENTS**

422,233 A	*	2/1890	Lewis	.....	248/262
2,135,159 A	*	11/1938	Zbock	.....	248/262
2,451,143 A	*	10/1948	Ammerman	.....	248/200
2,545,147 A	*	3/1951	Jensen	.....	248/259
2,679,373 A	*	5/1954	Henley	.....	248/262

2,770,437 A	*	11/1956	Pasch	.....	248/262
D253,162 S	*	10/1979	Sheehan	.....	D8/366
5,193,775 A	*	3/1993	Wagnon	.....	248/254
D376,755 S	*	12/1996	Cox	.....	D8/380
D408,722 S	*	4/1999	Sartini	.....	D8/363

\* cited by examiner

*Primary Examiner*—Robert M. Spear  
*Assistant Examiner*—Elizabeth A. Albert

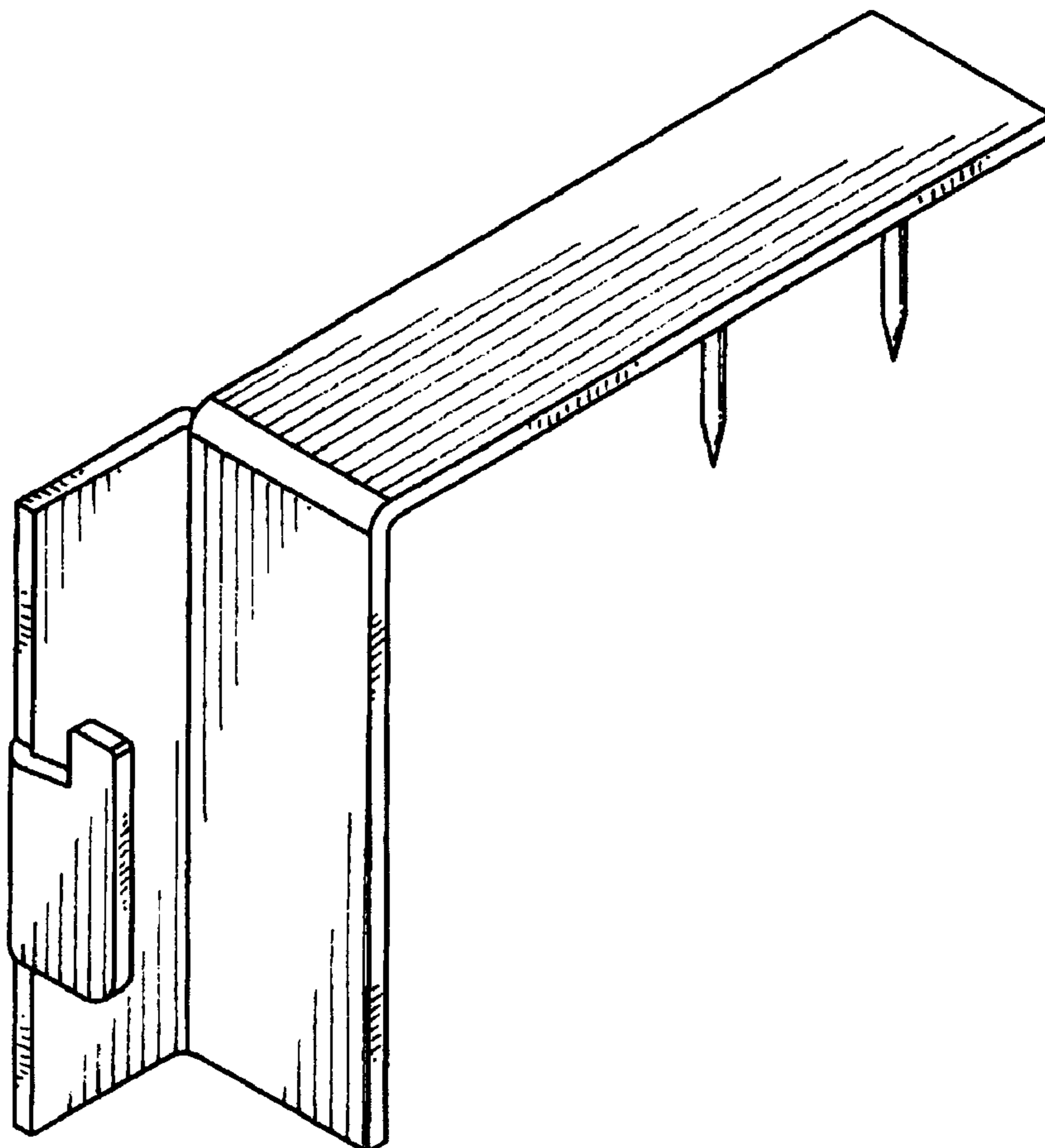
(57) **CLAIM**

The ornamental design for a curtain rod bracket, as shown and described.

**DESCRIPTION**

FIG. 1 is a perspective view of the curtain rod bracket showing my new design;  
FIG. 2 is a front view thereof;  
FIG. 3 is a rear view thereof;  
FIG. 4 is a top view thereof;  
FIG. 5 is a bottom view thereof;  
FIG. 6 is a right view thereof; and,  
FIG. 7 is a left view thereof.

**1 Claim, 3 Drawing Sheets**



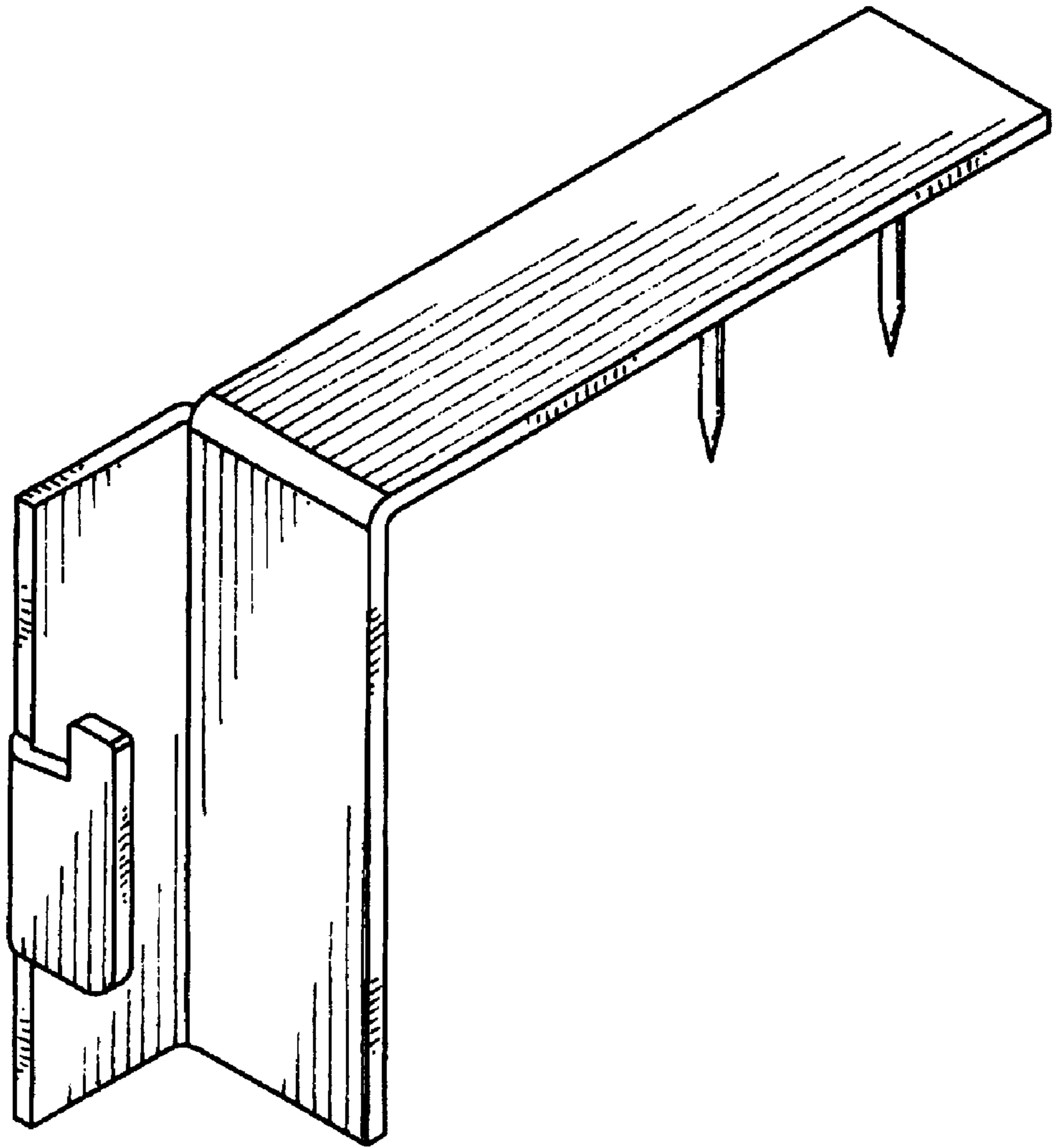


FIG. 1

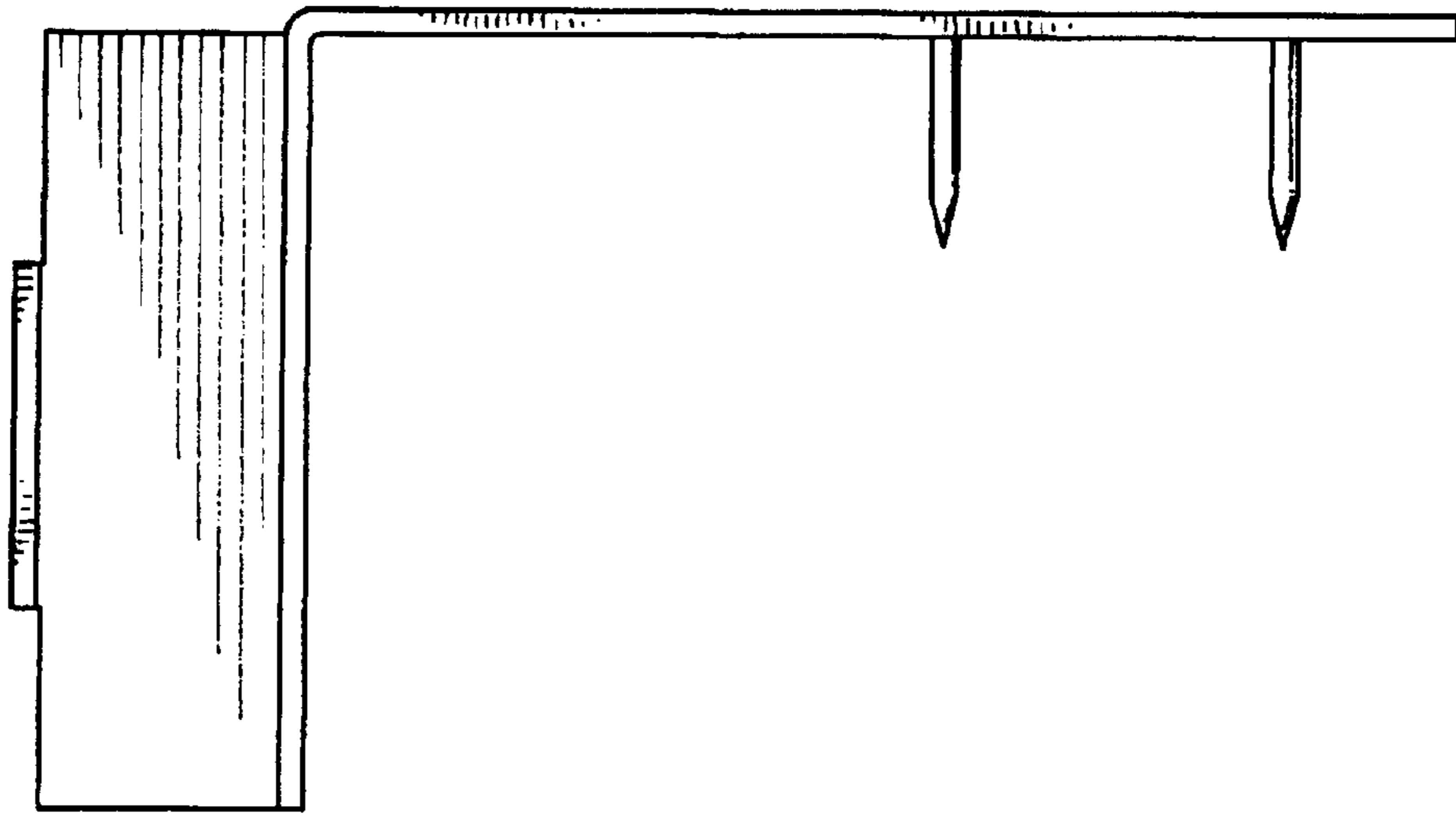


FIG. 2

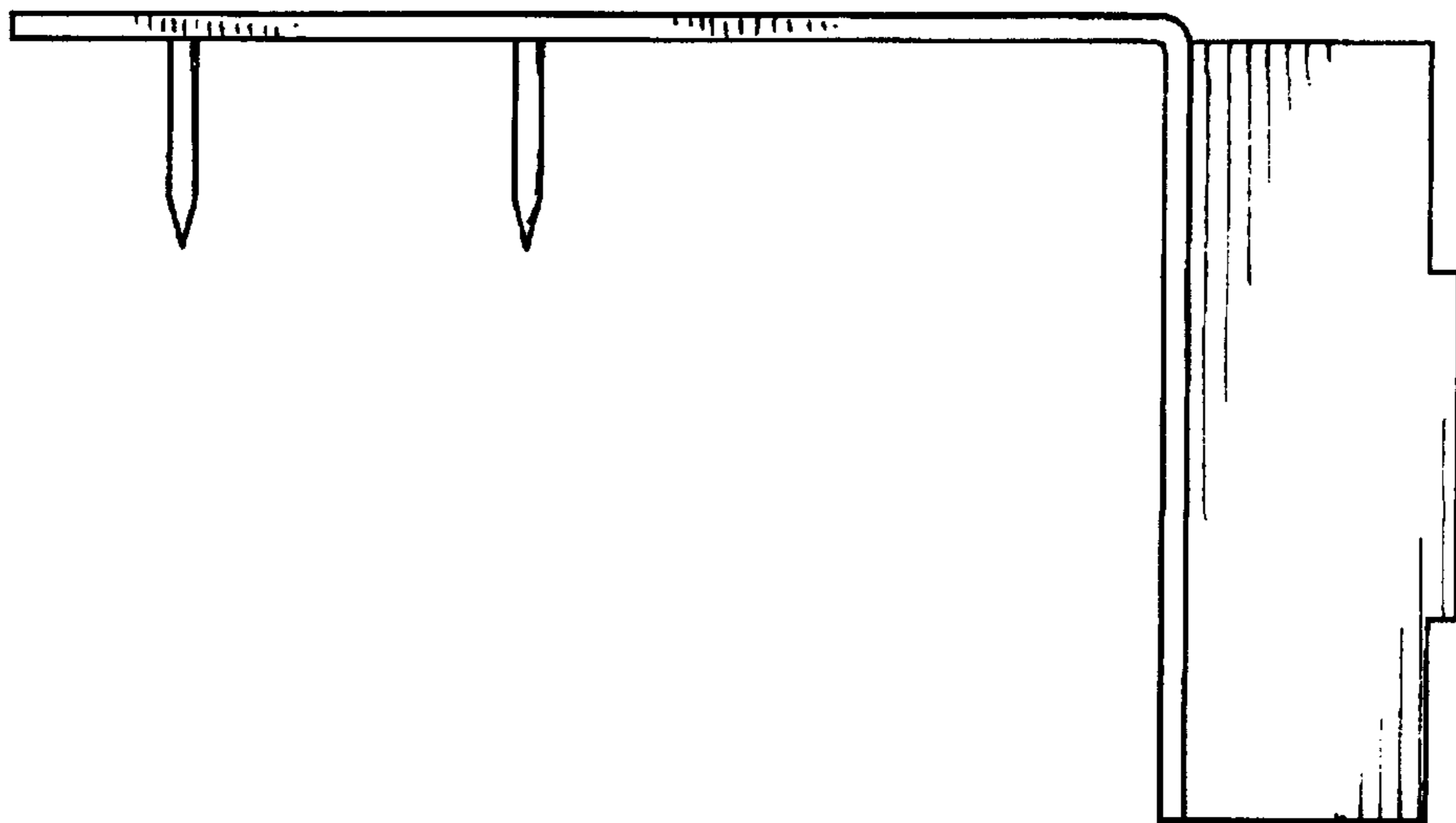


FIG. 3

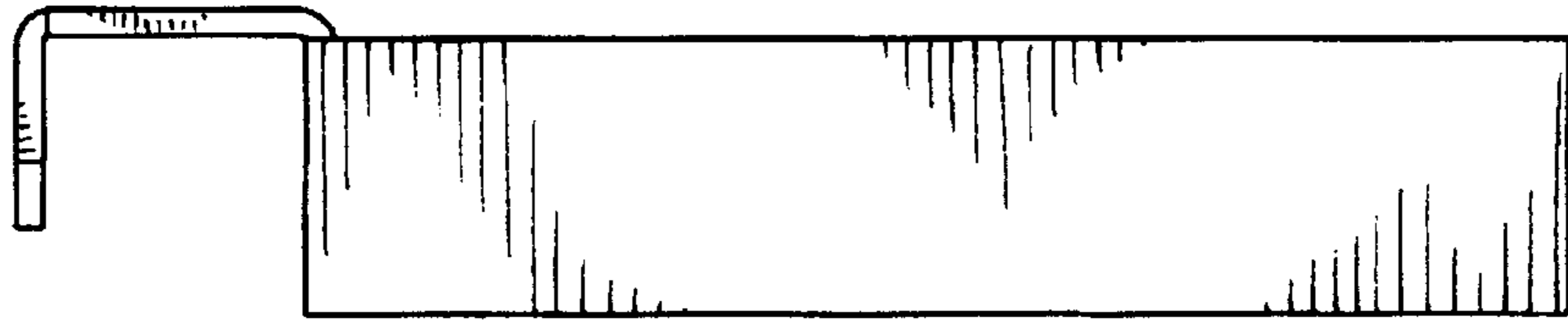


FIG. 4

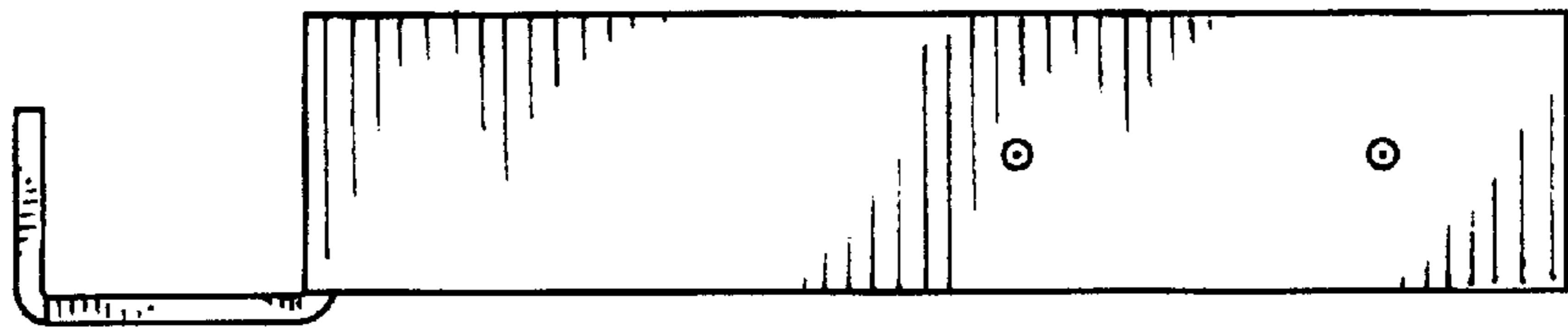


FIG. 5

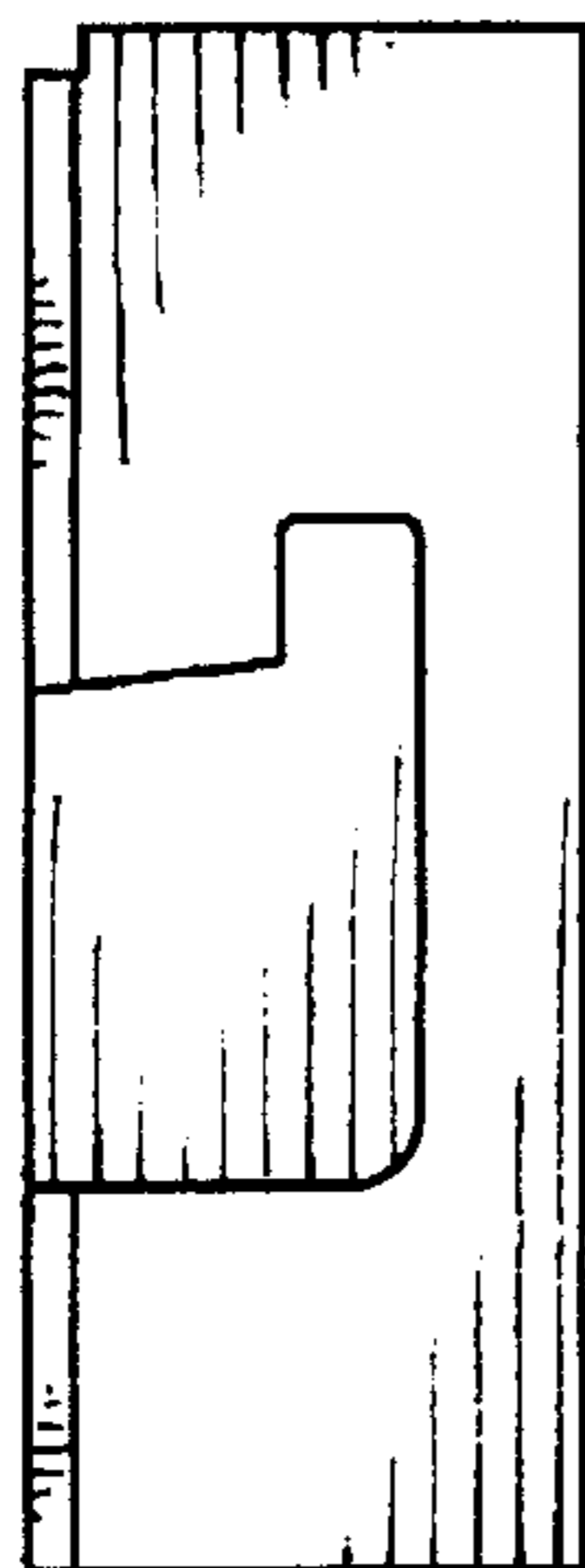


FIG. 6

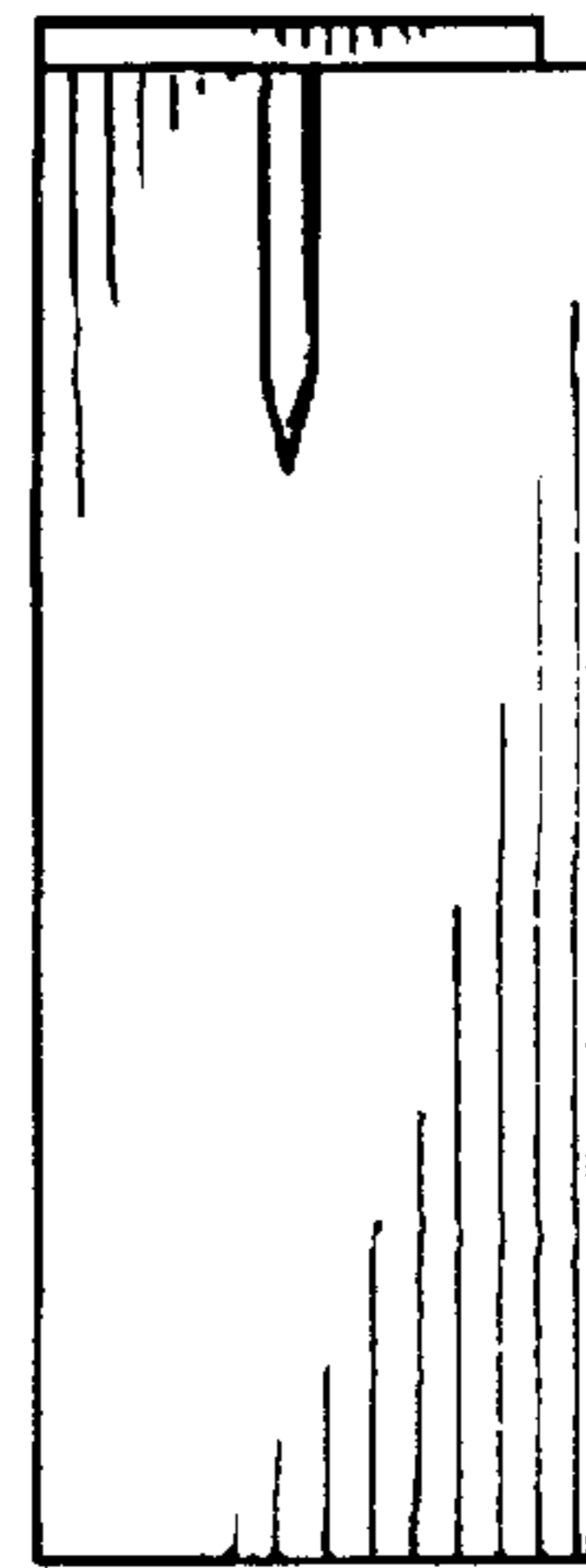


FIG. 7