



US00D478798S

(12) **United States Design Patent**
Huang

(10) **Patent No.:** **US D478,798 S**

(45) **Date of Patent:** **** Aug. 26, 2003**

(54) **STAPLER**

5,979,734 A * 11/1999 Chang 227/134
D436,009 S * 1/2001 Chi Kuo D8/50

(76) Inventor: **Chien Kai Huang**, No.136, Tsu Chiang Road., Changhua City (TW)

* cited by examiner

(**) Term: **14 Years**

Primary Examiner—Adir Aronovich
(74) *Attorney, Agent, or Firm*—Rosenberg, Klein & Lee

(21) Appl. No.: **29/167,773**

(57) **CLAIM**

(22) Filed: **Sep. 23, 2002**

The ornamental design for a stapler, as shown and described.

(51) **LOC (7) Cl.** **19-02**

DESCRIPTION

(52) **U.S. Cl.** **D8/50; D19/72**

(58) **Field of Search** D8/49, 50, 61;
D19/72; 227/120, 127, 128, 131, 132, 134,
156

FIG. 1 is a rear-right-top perspective view of an stapler showing my new design;

FIG. 2 is a front elevational view thereof;

FIG. 3 is a rear elevational view thereof;

FIG. 4 is a left elevational view thereof; and,

FIG. 5 is a right elevational view thereof.

FIG. 6 is a top plan view thereof; and,

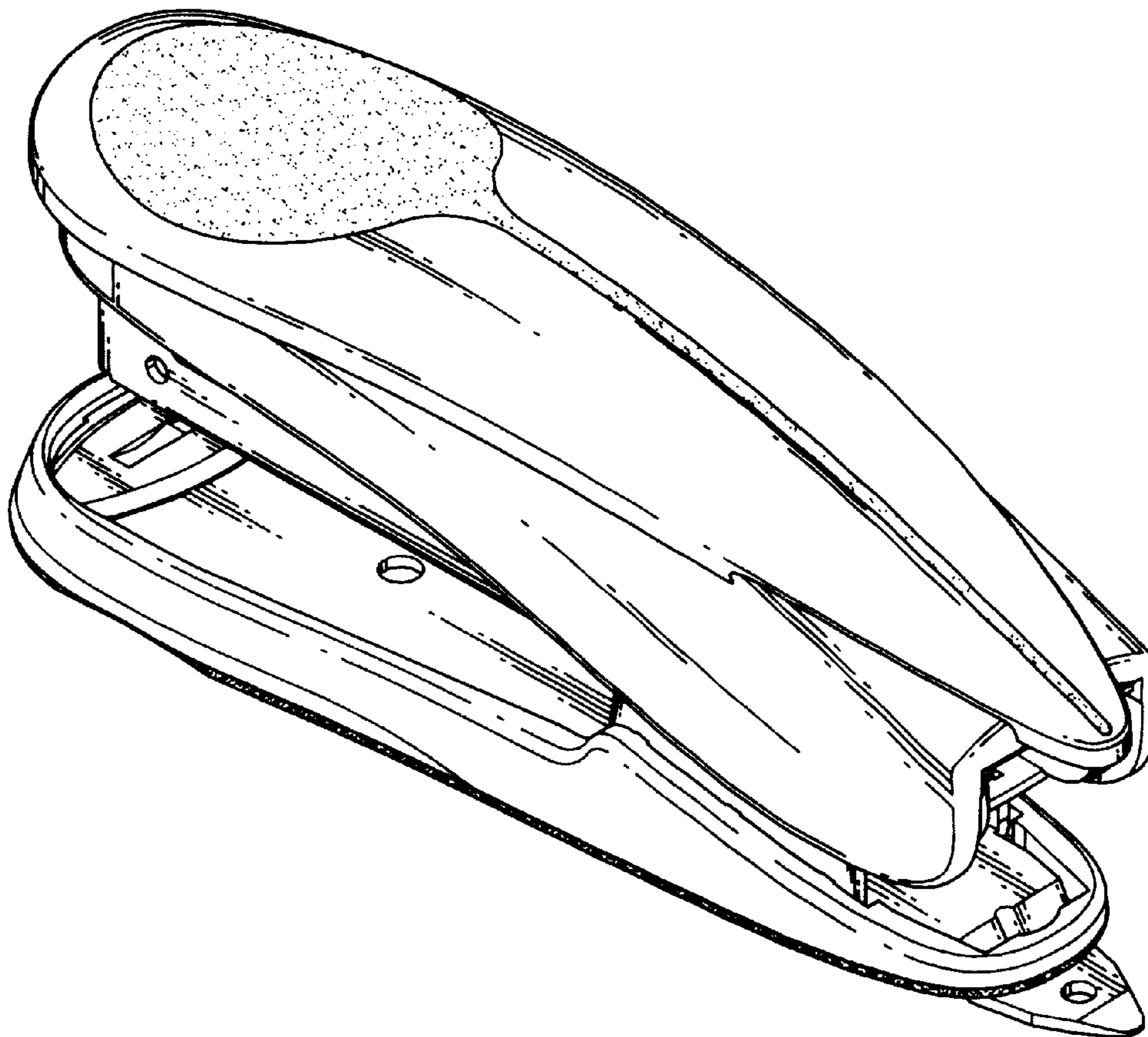
FIG. 7 is a bottom plan view thereof.

(56) **References Cited**

U.S. PATENT DOCUMENTS

D340,847 S * 11/1993 Bain et al. D8/50
D361,025 S * 8/1995 Ho D8/50
5,509,595 A * 4/1996 Ho 227/134
D416,774 S * 11/1999 Huang D8/50

1 Claim, 5 Drawing Sheets



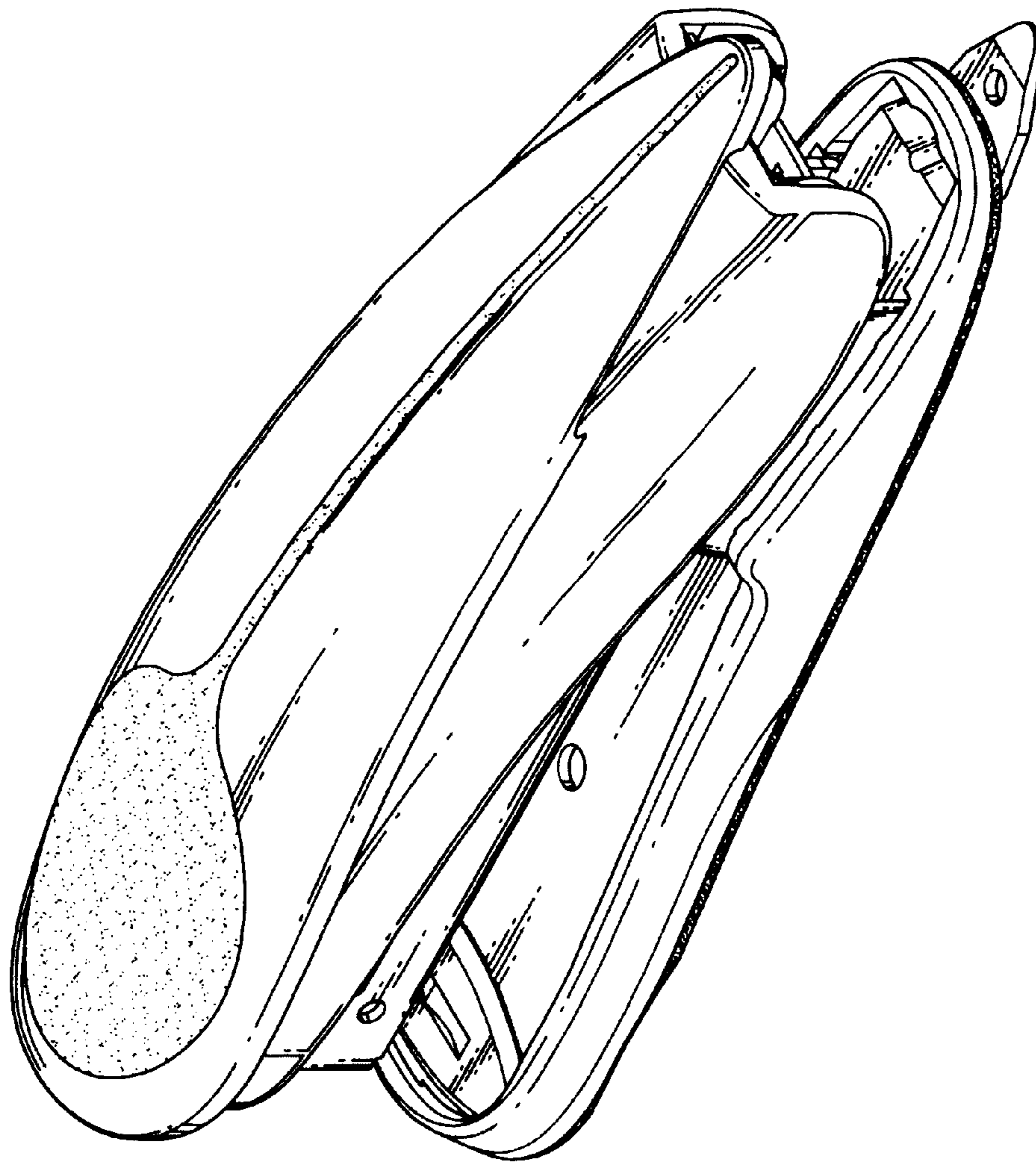


FIG.1

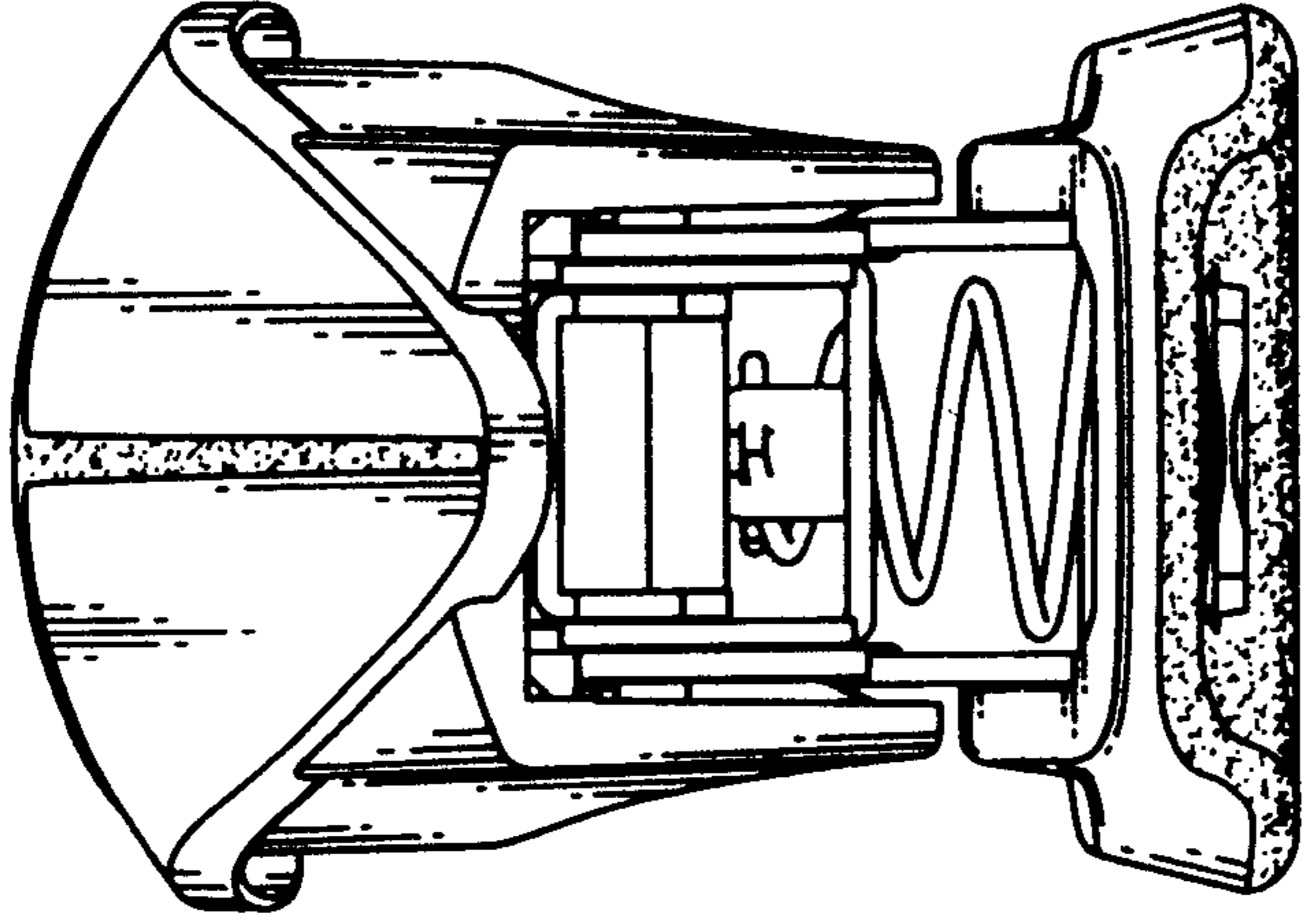


FIG. 2

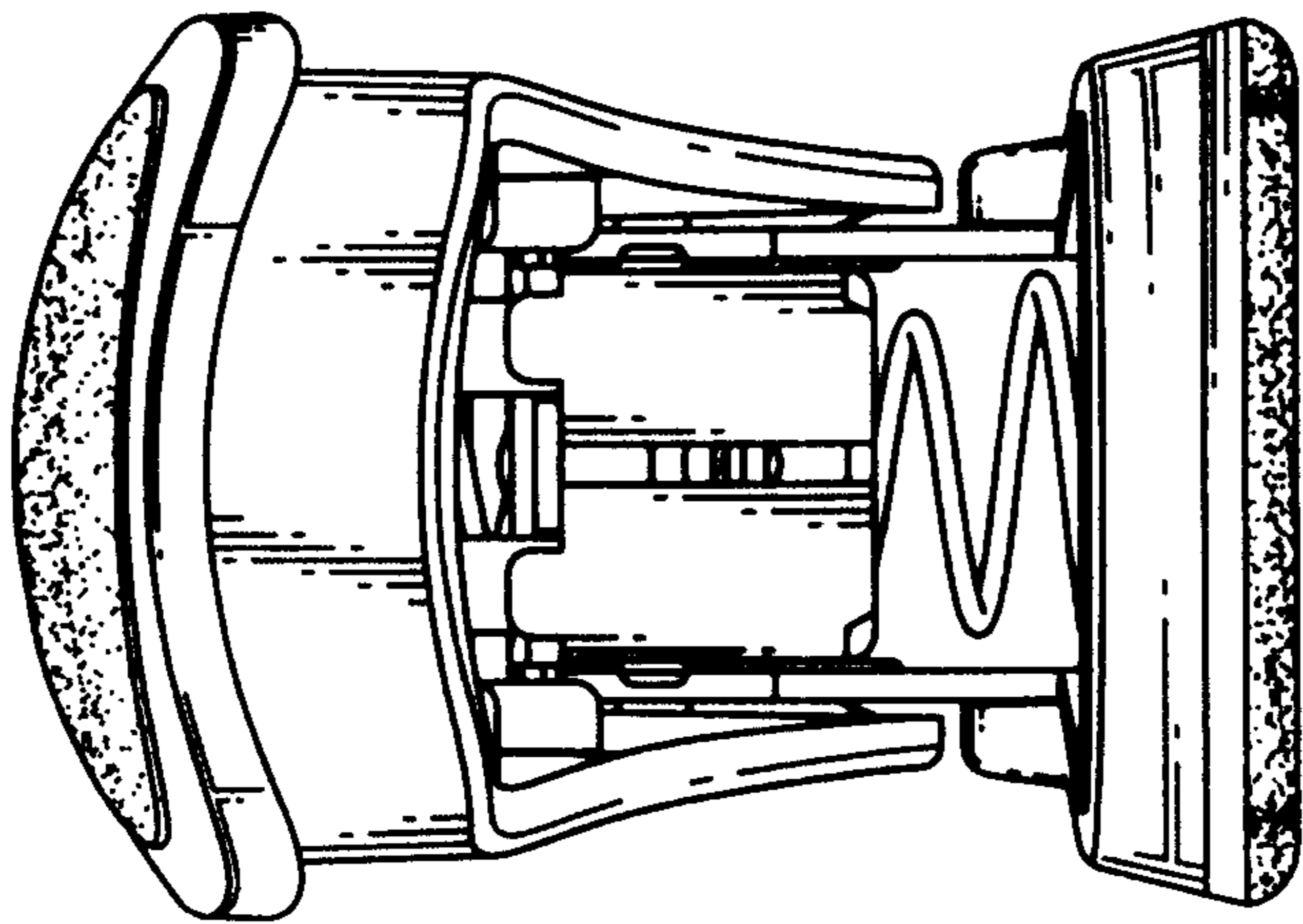


FIG. 3

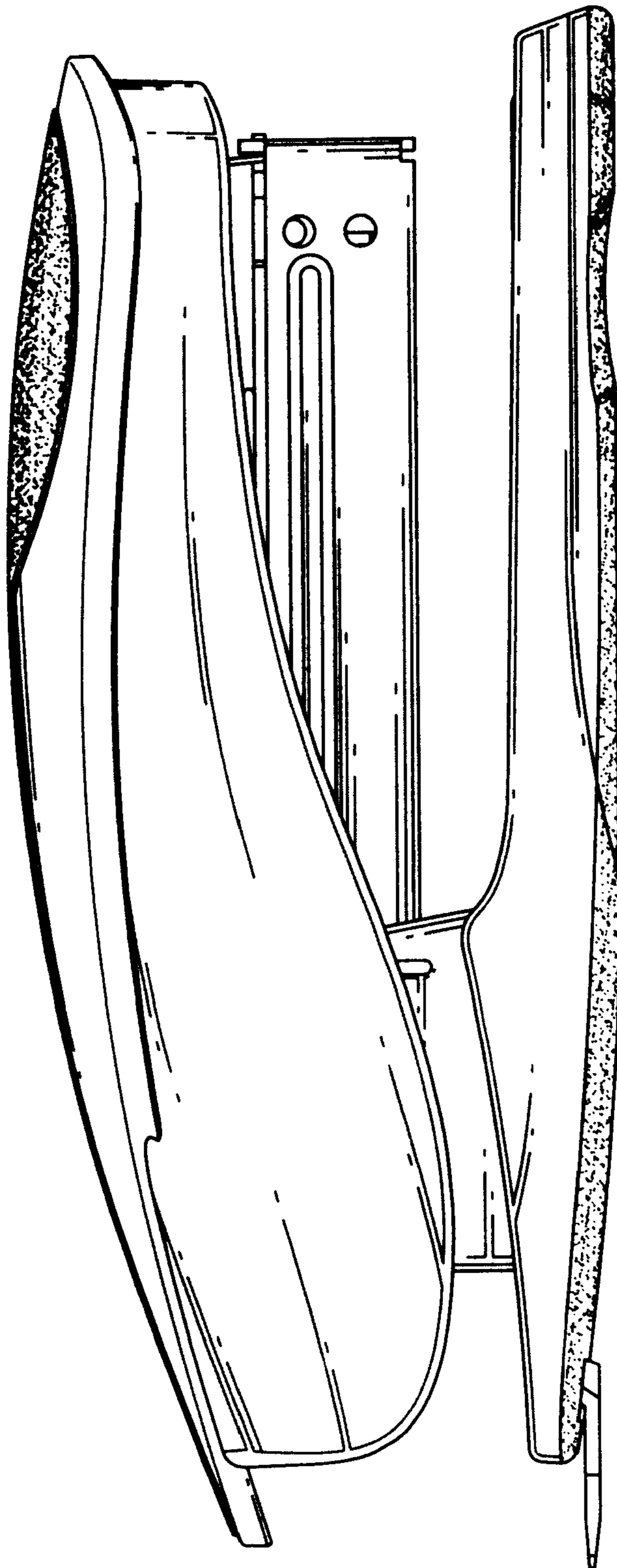


FIG.4

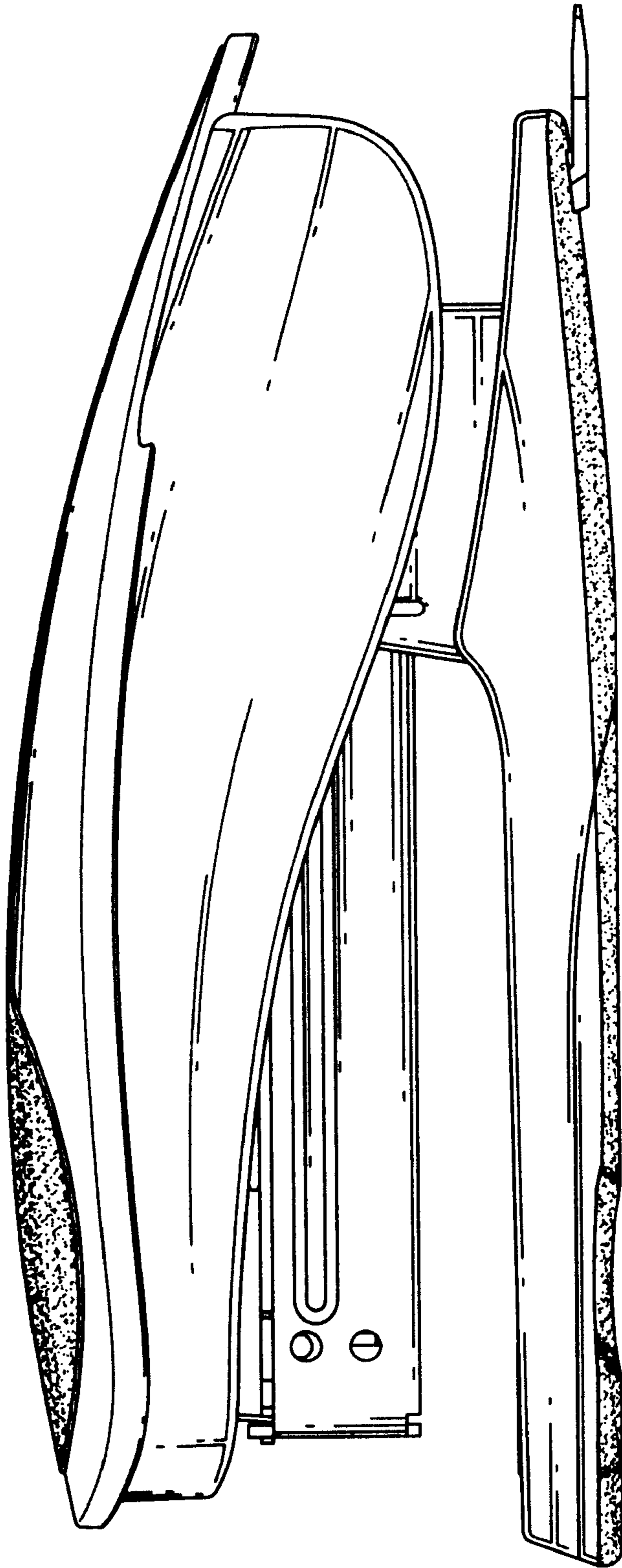


FIG. 5

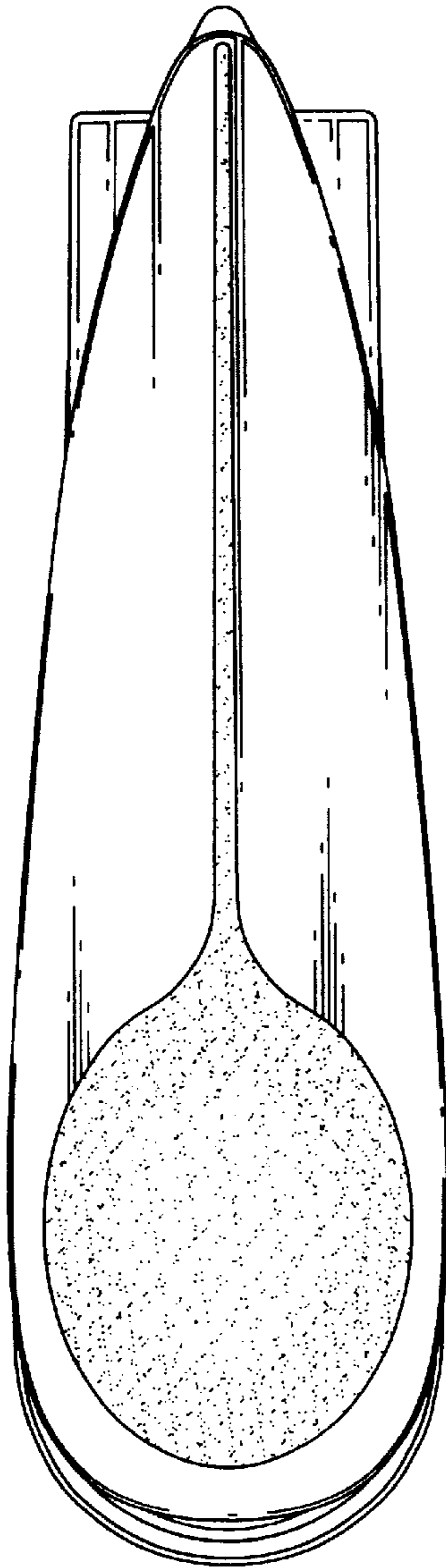


FIG. 6

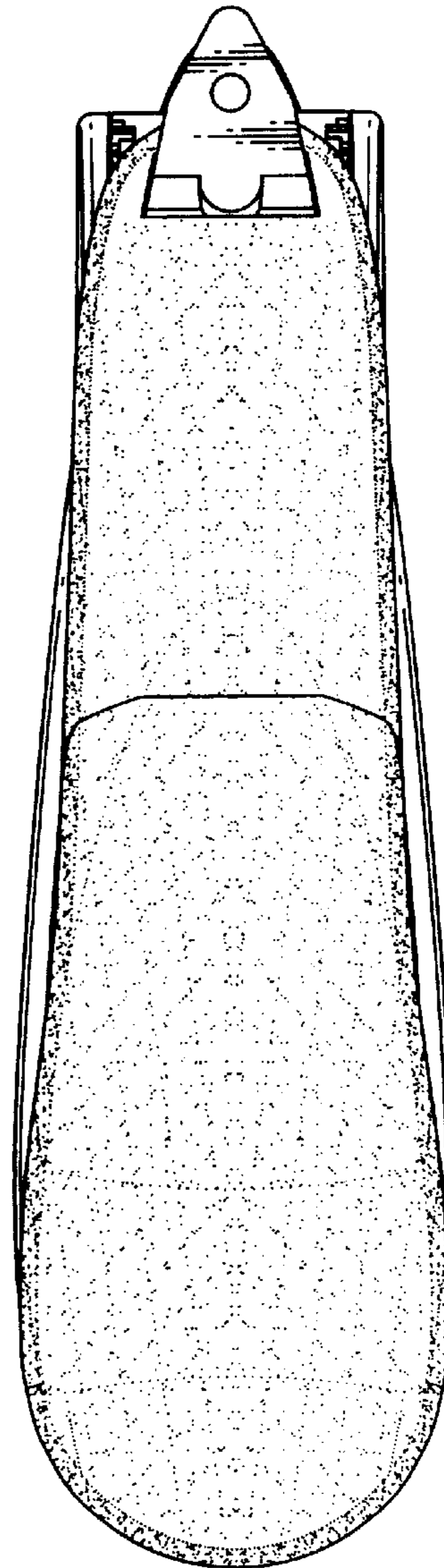


FIG. 7