



US00D478796S

(12) **United States Design Patent**
Hile et al.

(10) **Patent No.:** **US D478,796 S**

(45) **Date of Patent:** **** Aug. 26, 2003**

(54) **JAR RETAINER**

6,516,687 B1 * 2/2003 Hile et al. 81/3.25

(76) Inventors: **Jeffrey B. Hile**, 719 Wexford-Bayne Rd., Wexford, PA (US) 15090; **Michael F. Johnson**, 8940 Woodland Dr., Poland, OH (US) 44514

* cited by examiner

Primary Examiner—Caron D. Veynar
(74) *Attorney, Agent, or Firm*—Carothers & Carothers

(**) Term: **14 Years**

(57) **CLAIM**

The ornamental design for a jar retainer, as shown and described.

(21) Appl. No.: **29/156,496**

(22) Filed: **Mar. 1, 2002**

DESCRIPTION

(51) **LOC (7) Cl.** **07-99**

FIG. 1 is a perspective view of the jar retainer showing our new design;

(52) **U.S. Cl.** **D8/33**

FIG. 2 is a top view of the jar retainer shown in FIG. 1;

(58) **Field of Search** D8/33-43; 7/151-156; 30/400-450; 81/3.07-3.49; 269/289 R

FIG. 3 is a back view of the jar retainer shown in FIG. 1;

FIG. 4 is a front view of the jar retainer shown in FIG. 2;

FIG. 5 is a view in right side elevation of the jar retainer shown in FIG. 1;

FIG. 6 is a view in left side elevation of the jar retainer shown in FIG. 1; and,

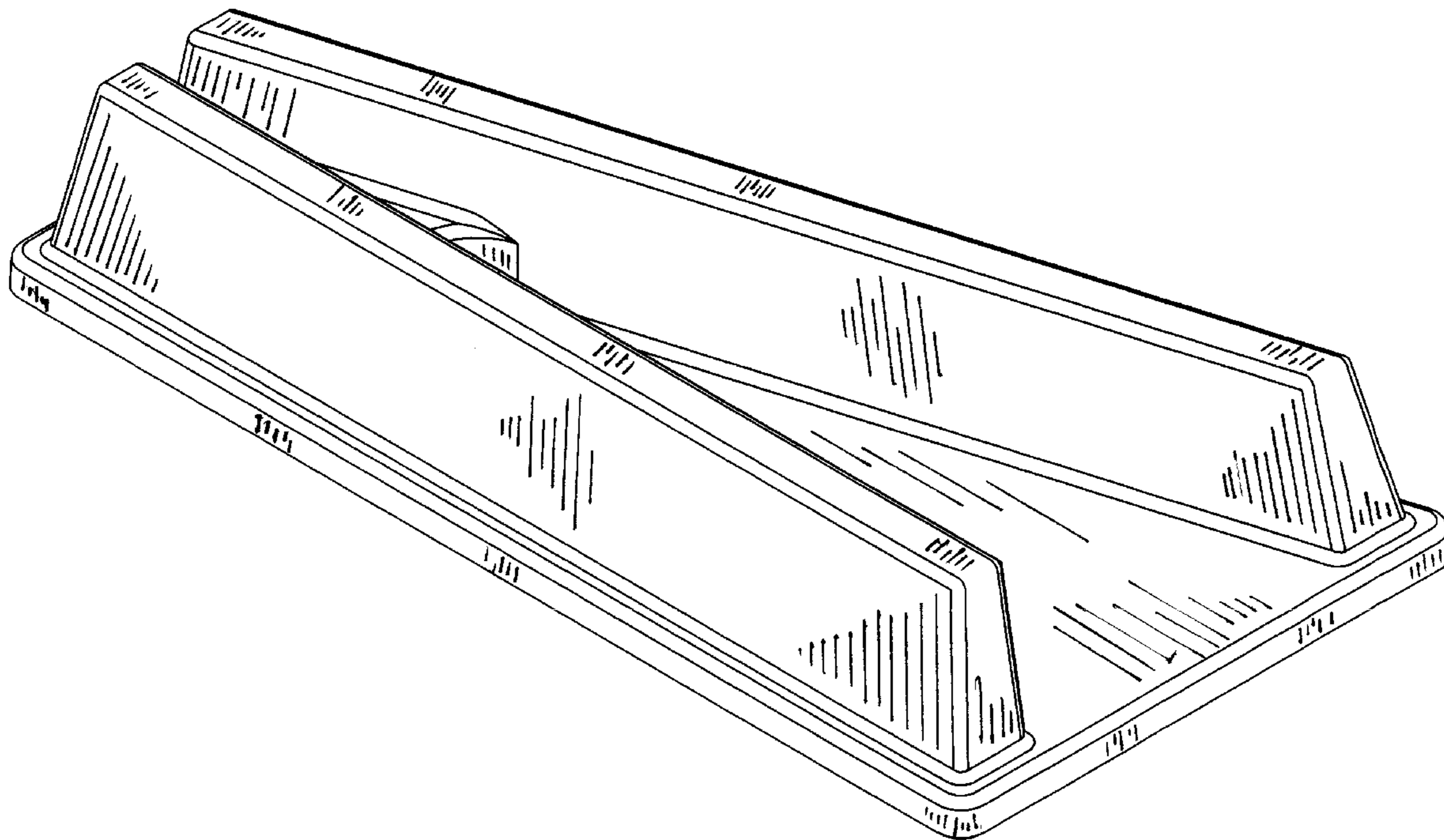
FIG. 7 is a bottom view of the jar retainer shown in FIG. 1.

(56) **References Cited**

U.S. PATENT DOCUMENTS

D267,624 S	*	1/1983	Funka, Sr.	D8/37
D277,925 S	*	3/1985	Blackburn	D8/37
D333,958 S	*	3/1993	Demers	D8/40
D382,783 S	*	8/1997	Martin	D8/37

1 Claim, 6 Drawing Sheets



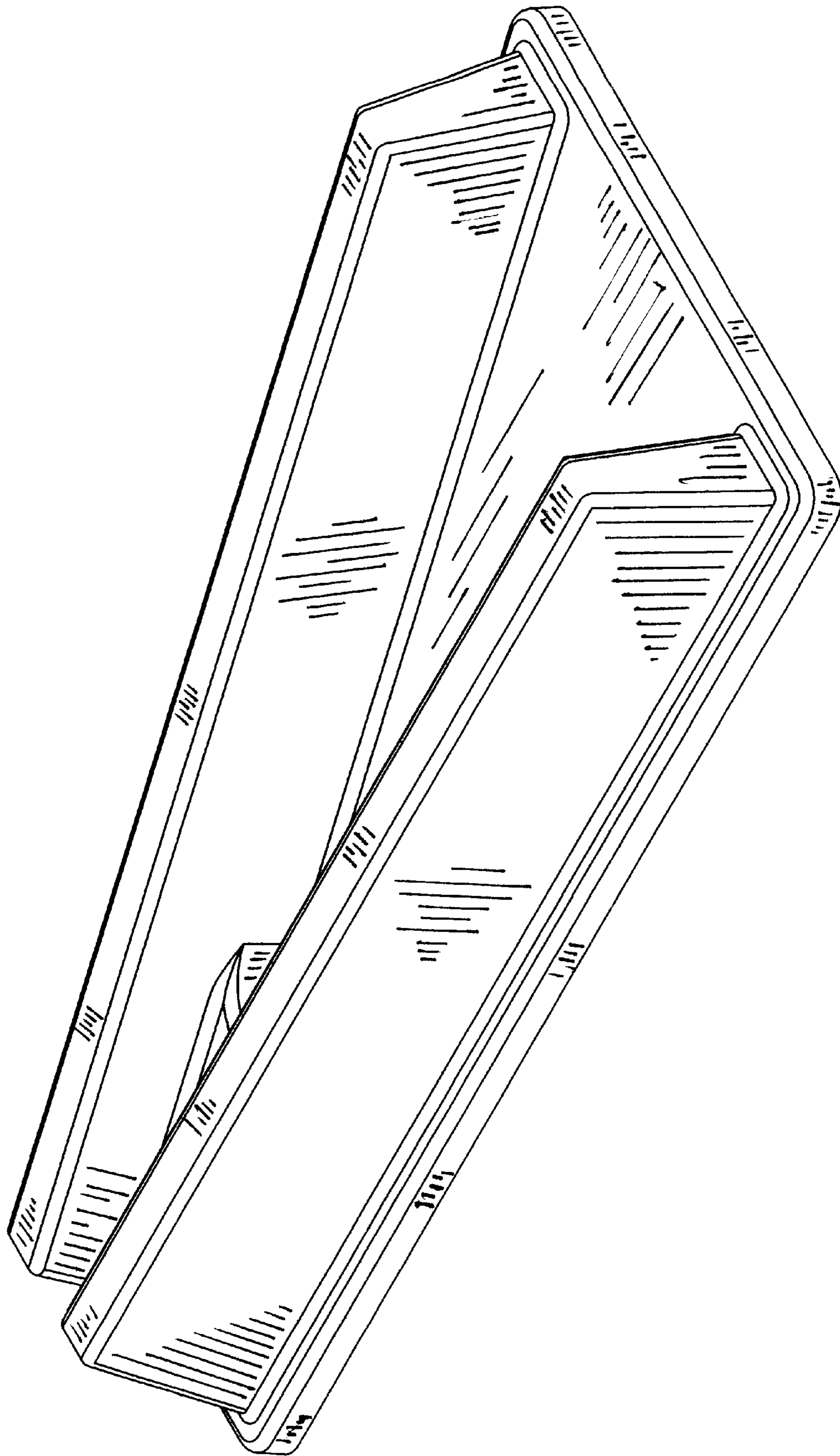


FIG 1

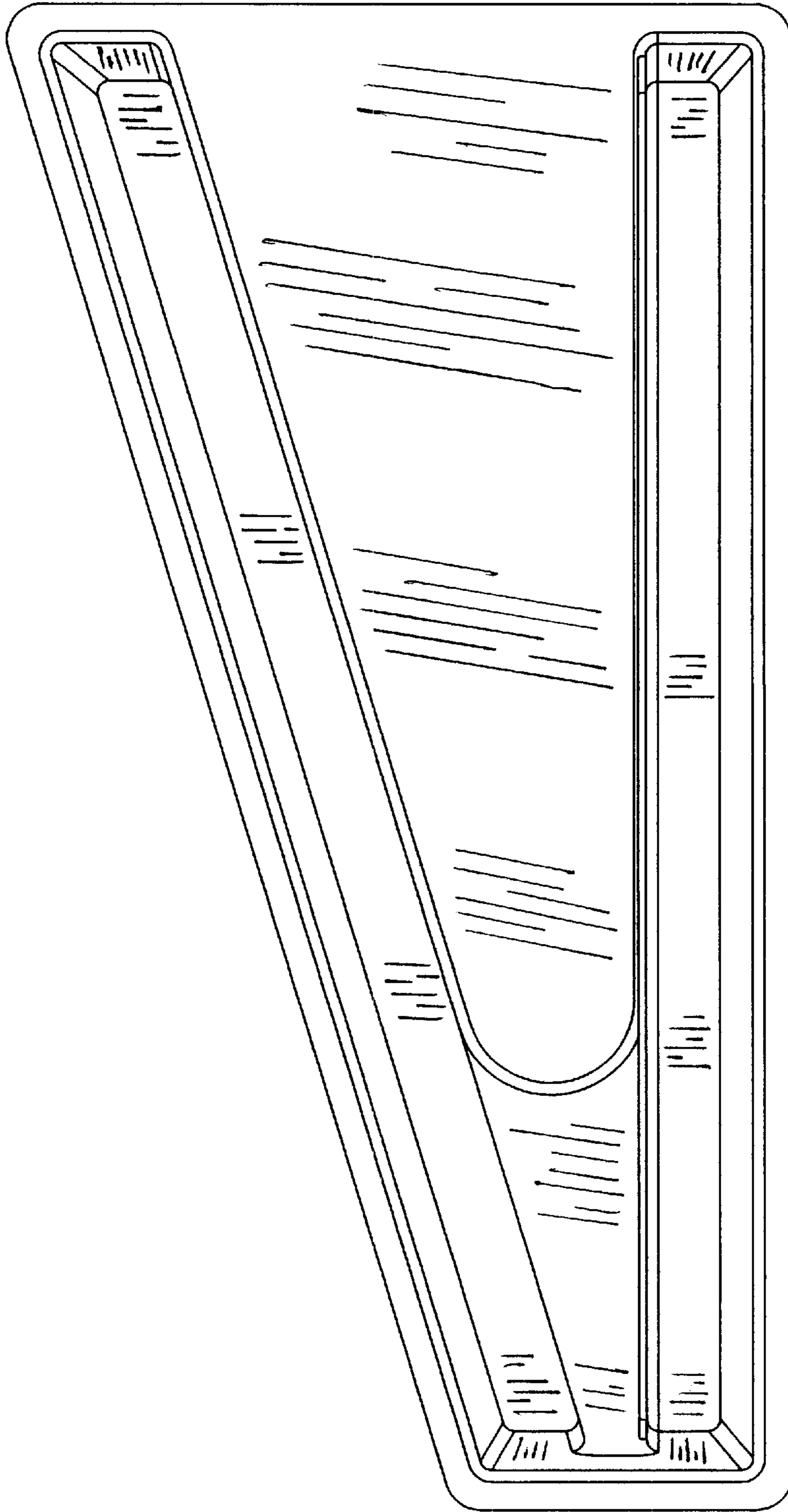


FIG 2

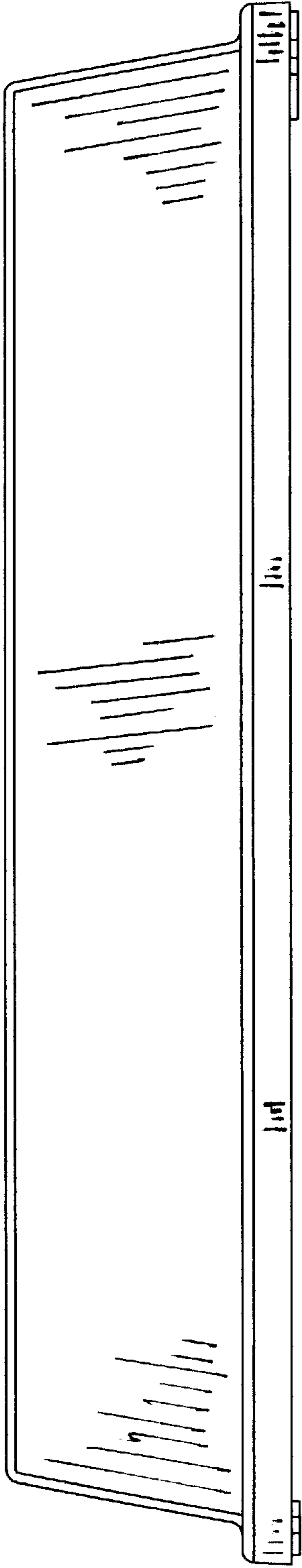


FIG 3

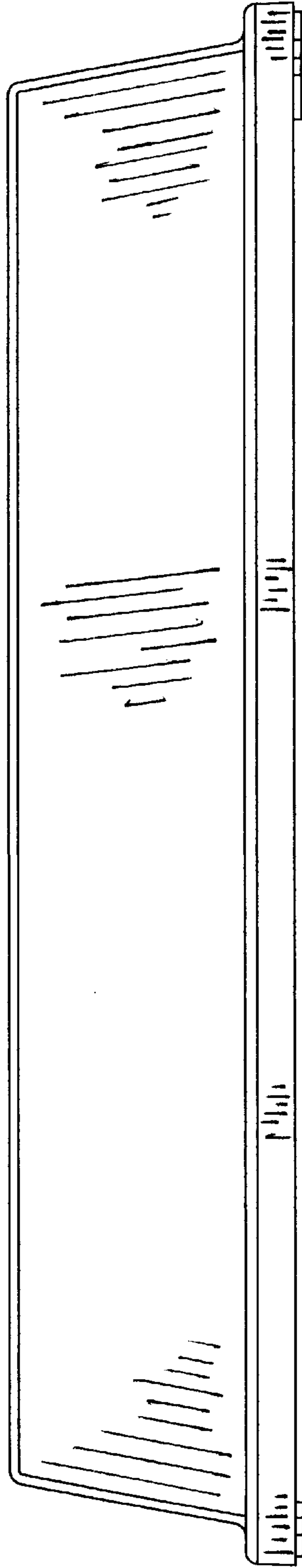


FIG 4

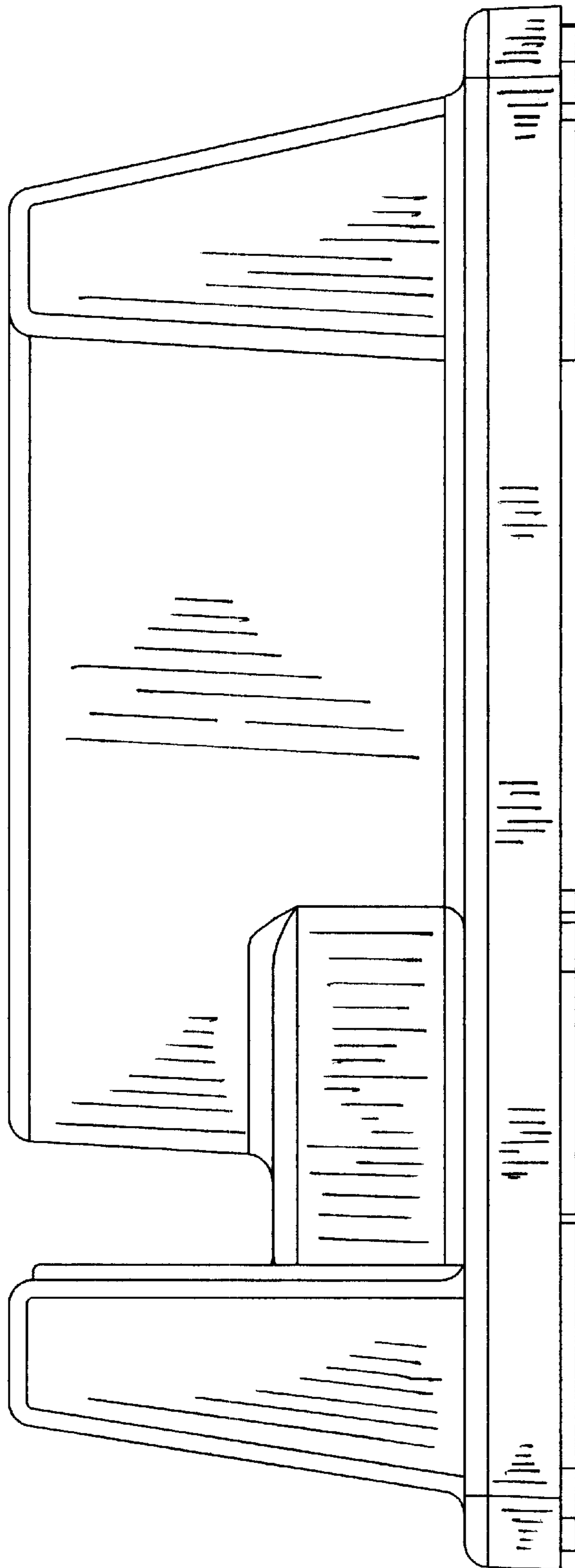


FIG 5

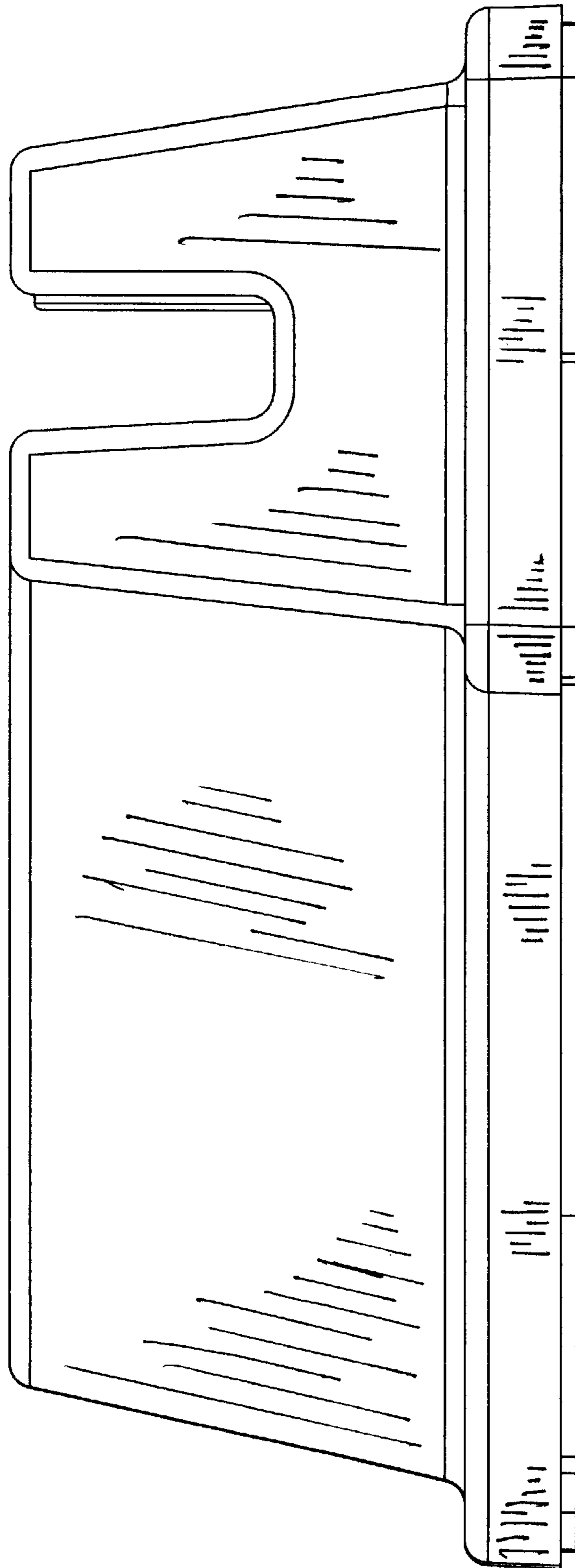


FIG 6

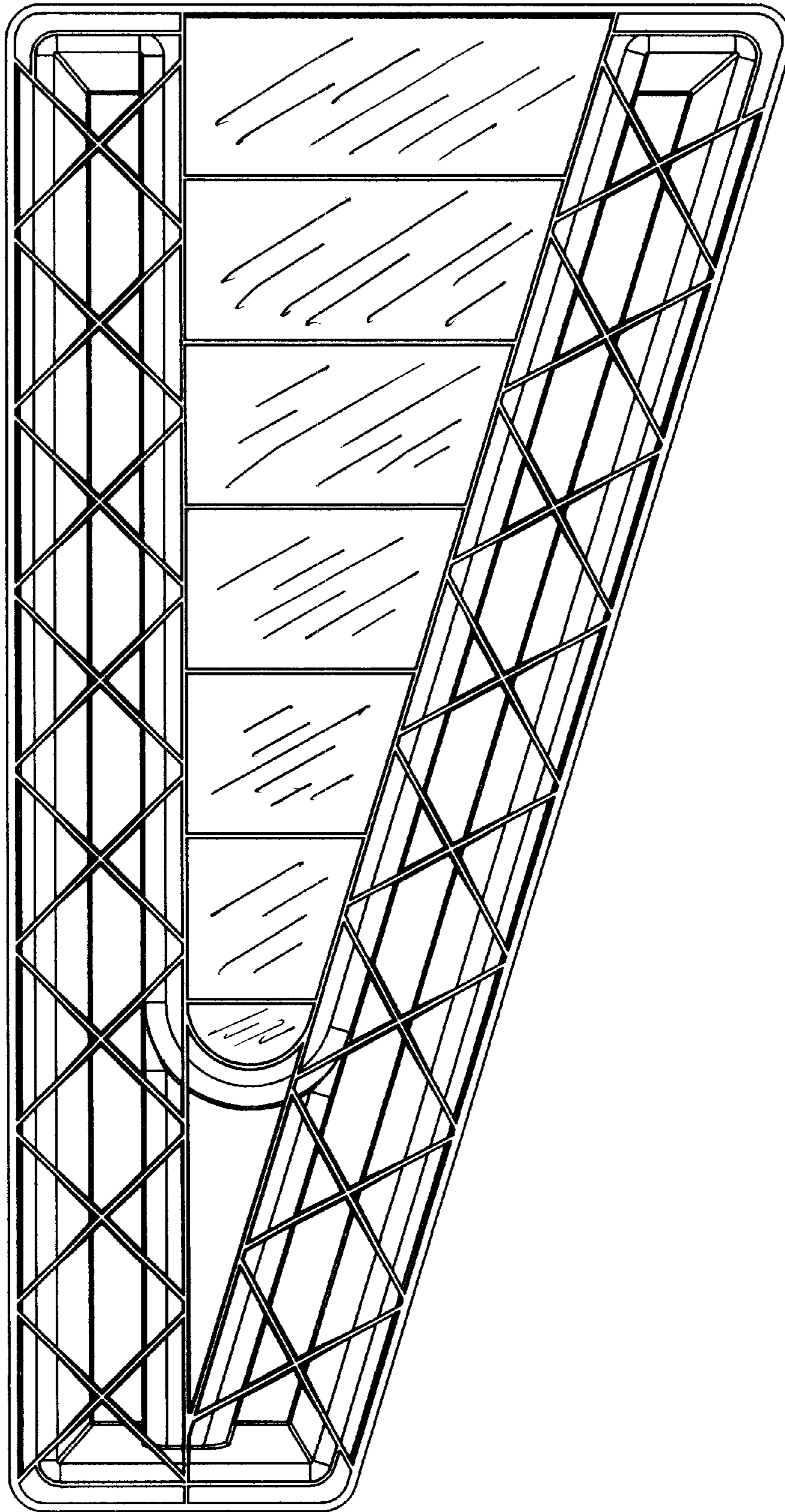


FIG 7