



US00D478794S

(12) **United States Design Patent**
Kramer

(10) **Patent No.:** **US D478,794 S**

(45) **Date of Patent:** **** Aug. 26, 2003**

(54) **ADJUSTABLE WRENCH HEAD**

6,279,429 B1 * 8/2001 Boyer 81/165
D461,381 S 8/2002 Kramer D18/22

(76) Inventor: **Ronald A. Kramer**, 8420 Kilbirnie Ct.,
Dublin, OH (US) 43017

FOREIGN PATENT DOCUMENTS

(**) Term: **14 Years**

CA 0064391 9/1989
DE M8900044 1/1989
GB 1056086 1/1989

(21) Appl. No.: **29/169,824**

* cited by examiner

(22) Filed: **Oct. 28, 2002**

Primary Examiner—Raphael Barkai

(51) **LOC (7) Cl.** **08-05**

(74) *Attorney, Agent, or Firm*—Donald R Bahr

(52) **U.S. Cl.** **D8/22**

(58) **Field of Search** D8/17, 21-29;
81/165-170, 119, 186

(57) **CLAIM**

The ornamental design for an adjustable wrench head, as shown and described.

(56) **References Cited**

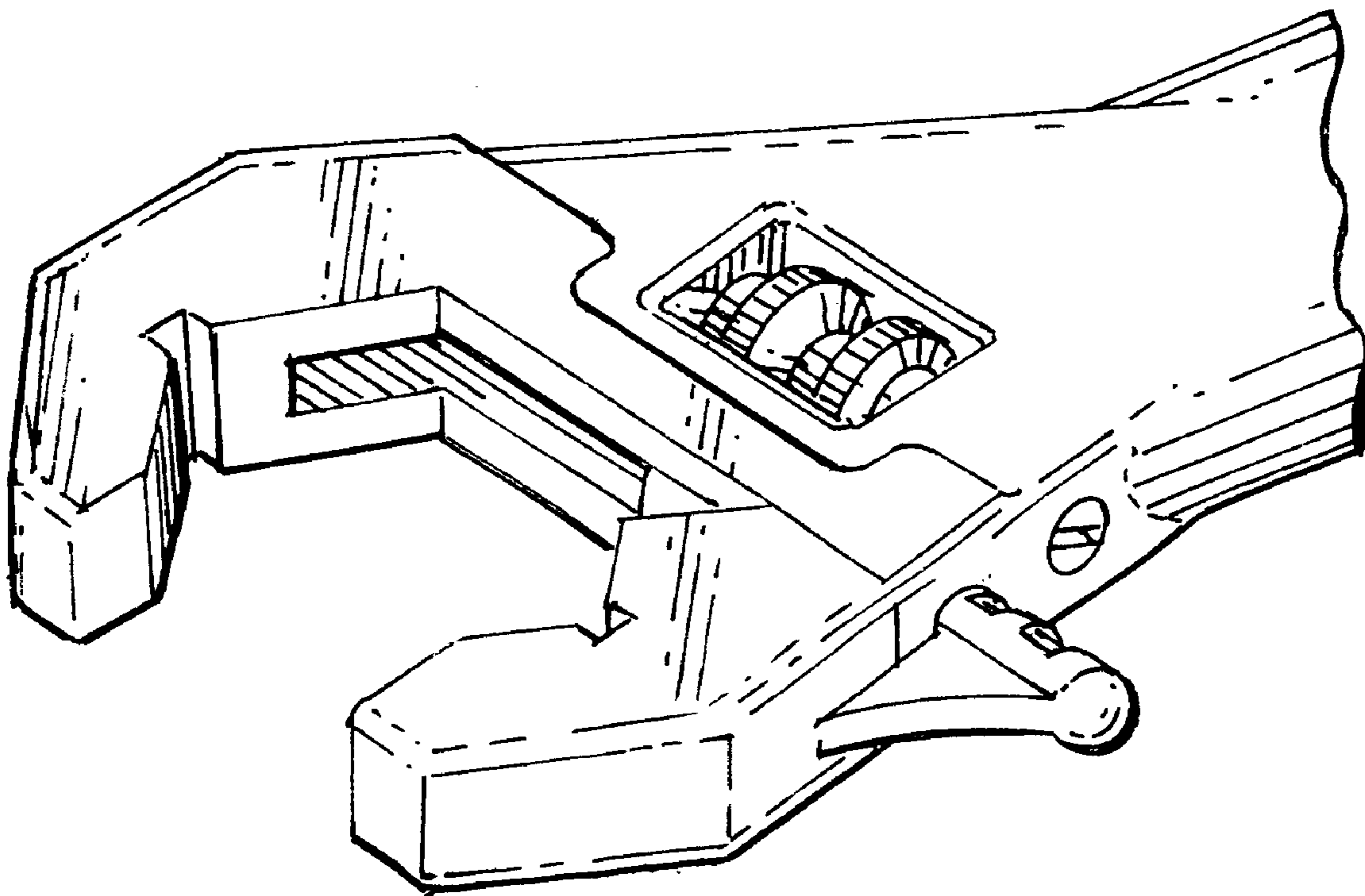
DESCRIPTION

U.S. PATENT DOCUMENTS

572,035 A	11/1896	Stokes	
793,522 A	6/1905	Heal	
2,692,523 A	10/1954	Finn	81/165
3,881,377 A	5/1975	Evans	81/186
3,931,749 A	1/1976	Evans	81/119
3,955,450 A	5/1976	Evans	81/170
4,011,778 A	3/1977	Delin	81/186
5,305,667 A	4/1994	Caballero	81/165
5,533,428 A	7/1996	Pradelski	81/179
5,595,098 A	1/1997	Malkin	81/165
5,894,768 A	4/1999	Malkin	81/165
5,960,683 A	10/1999	Malkin	81/165
6,098,506 A	8/2000	Clegg	81/170

FIG. 1 is a front view showing the adjustable wrench head design of my invention.
FIG. 2 is a left side view showing the adjustable wrench head design of my invention.
FIG. 3 is a right side view showing the adjustable wrench head design of my invention.
FIG. 4 is a front view showing the adjustable wrench head design of my invention with the head closed; and,
FIG. 5 is a perspective view showing the adjustable wrench head design of my invention.

1 Claim, 1 Drawing Sheet



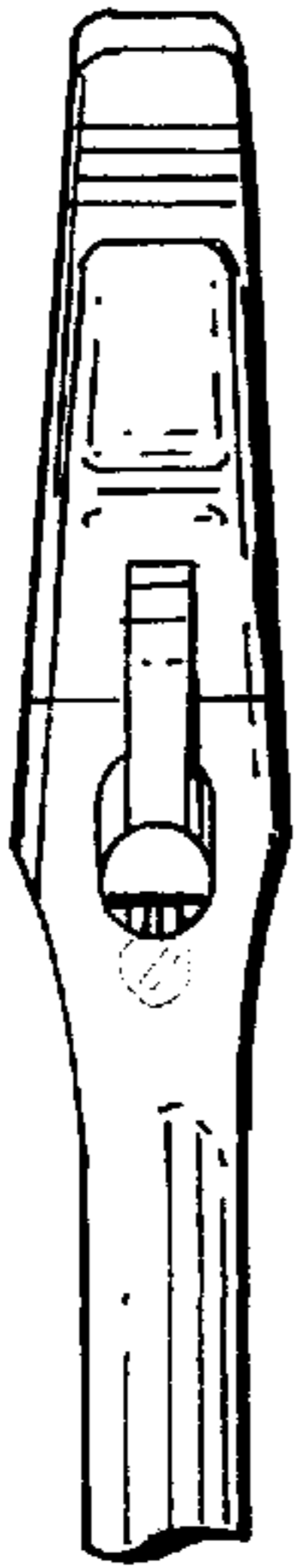


FIG. 2

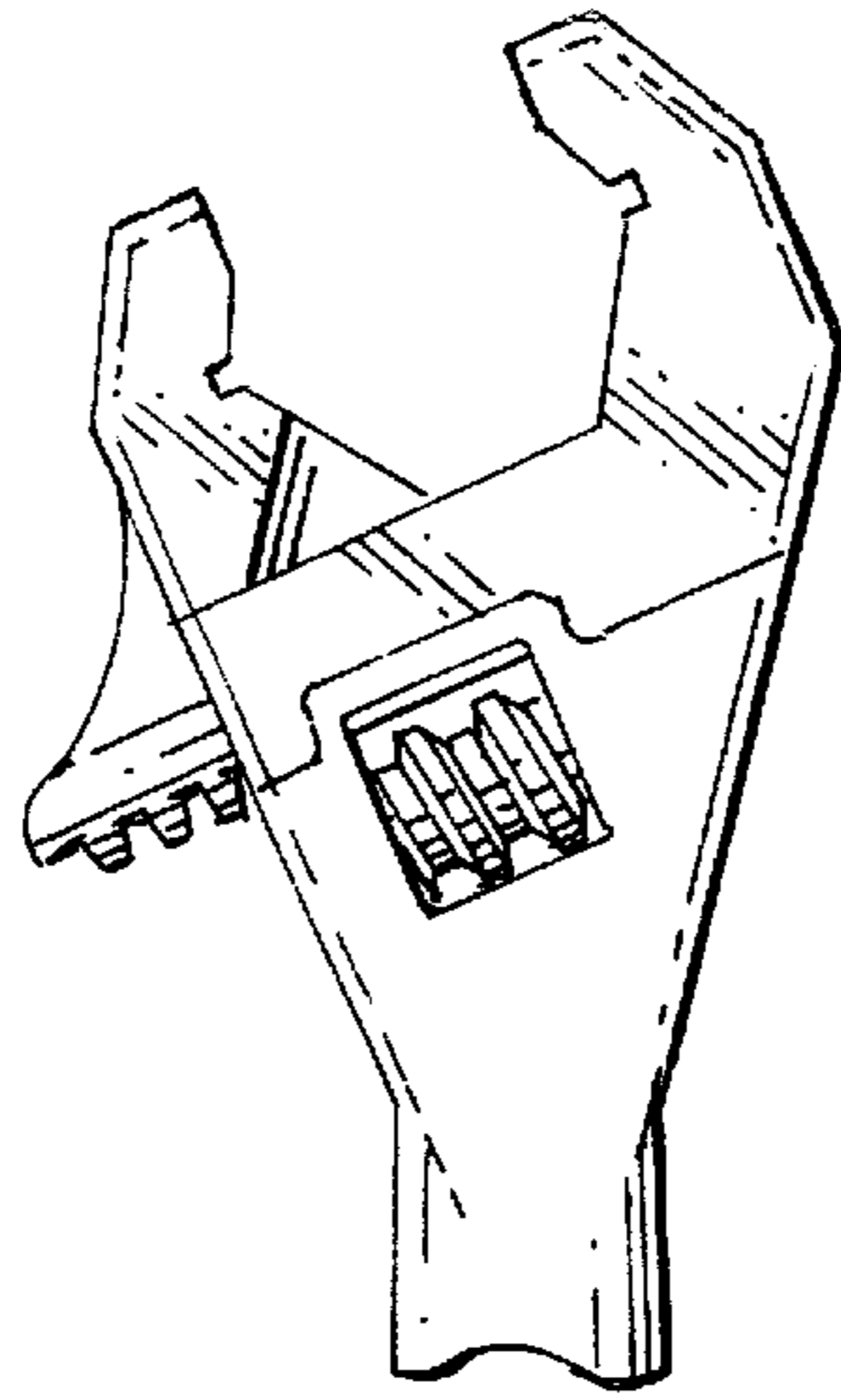


FIG. 1



FIG. 3

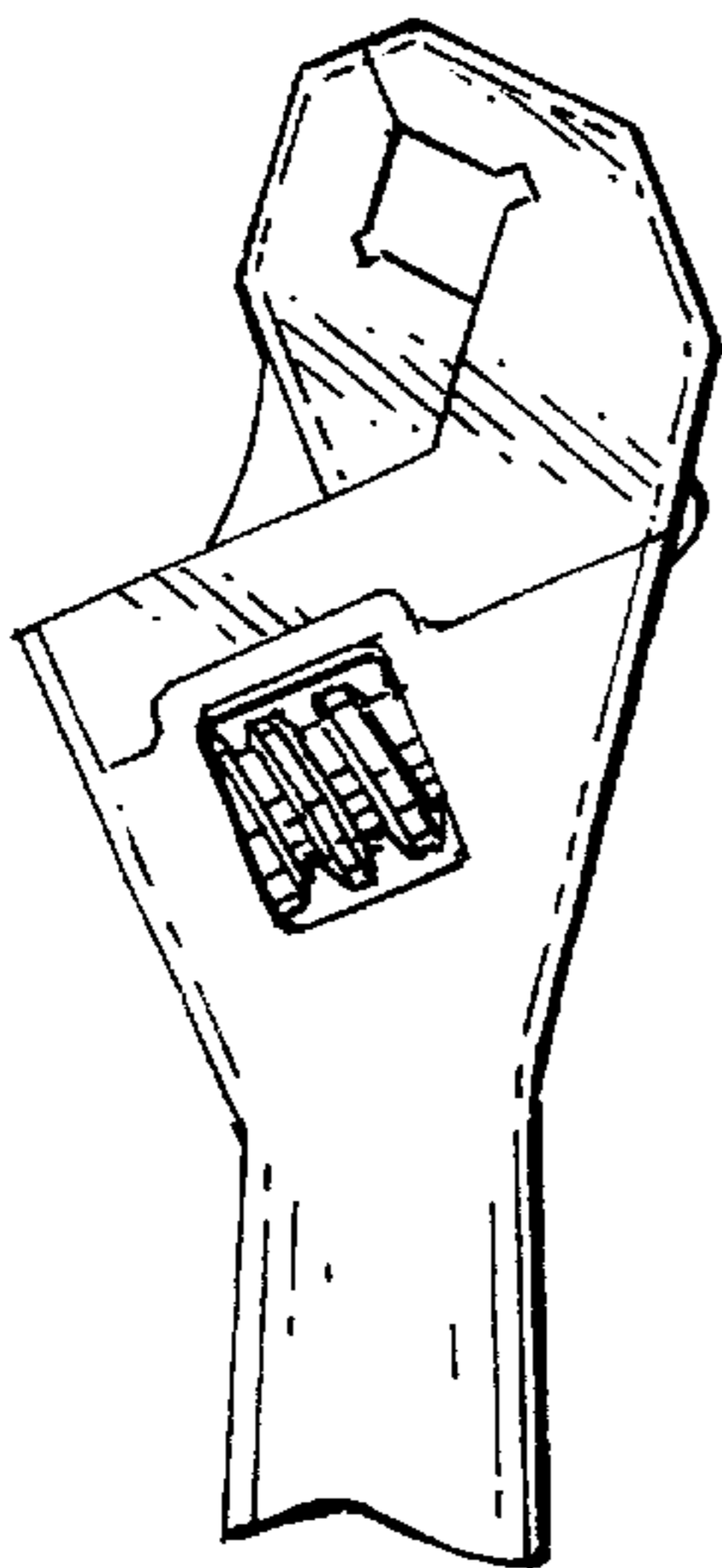


FIG. 4

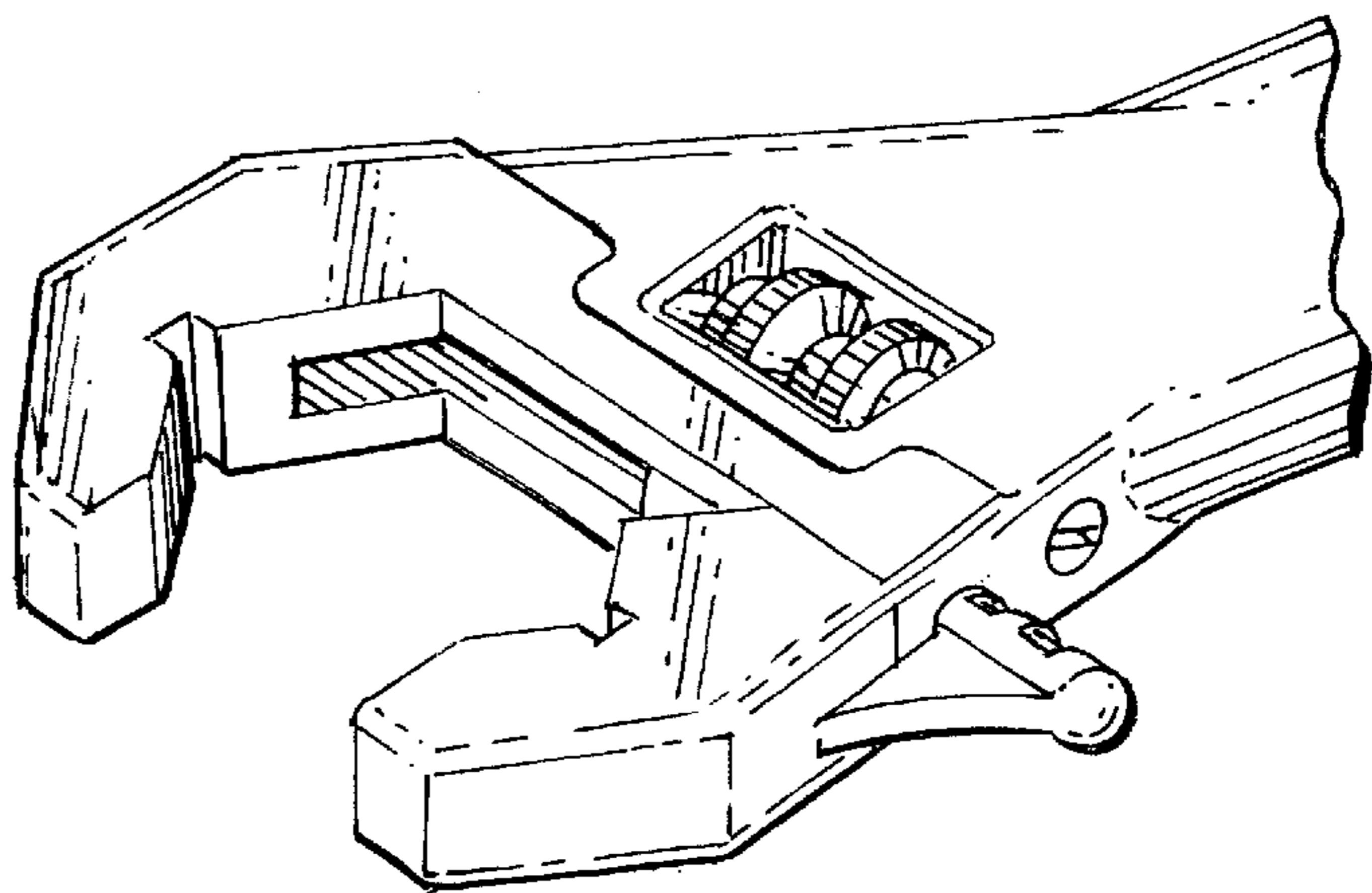


FIG. 5