



US00D478793S

(12) **United States Design Patent**  
**Holmdahl et al.**

(10) **Patent No.:** **US D478,793 S**

(45) **Date of Patent:** **\*\* Aug. 26, 2003**

(54) **STARTING DEVICE FOR A TRIMMER**

D304,196 S	*	10/1989	Tuggle et al. ....	D8/8
D342,875 S	*	1/1994	Franke et al. ....	D8/8
D358,308 S	*	5/1995	Griffin .....	D8/8
D361,336 S	*	8/1995	Tinius .....	D8/8

(75) Inventors: **Mikael Holmdahl**, Jönköping (SE);  
**Claes Losdahl**, Huskvarna (SE);  
**Marcus Kragner**, Huskvarna (SE);  
**Stina Nilimaa-Wickström**, Nacka (SE)

\* cited by examiner

(73) Assignee: **Aktiebolaget Electrolux**, Stockholm (SE)

*Primary Examiner*—Robin V. Taylor  
(74) *Attorney, Agent, or Firm*—Pearne & Gordon LLP

(\*\*) Term: **14 Years**

(57) **CLAIM**

(21) Appl. No.: **29/171,440**

The ornamental design for a starting device for a trimmer, as shown and described.

(22) Filed: **Nov. 22, 2002**

**DESCRIPTION**

**Related U.S. Application Data**

(62) Division of application No. 29/163,503, filed on Jul. 3, 2002.

(51) **LOC (7) Cl.** ..... **08-01**

(52) **U.S. Cl.** ..... **D8/8**

(58) **Field of Search** ..... D8/1, 8, 9; D15/1;  
30/DIG. 5, 276; 172/13, 14; 56/12.7

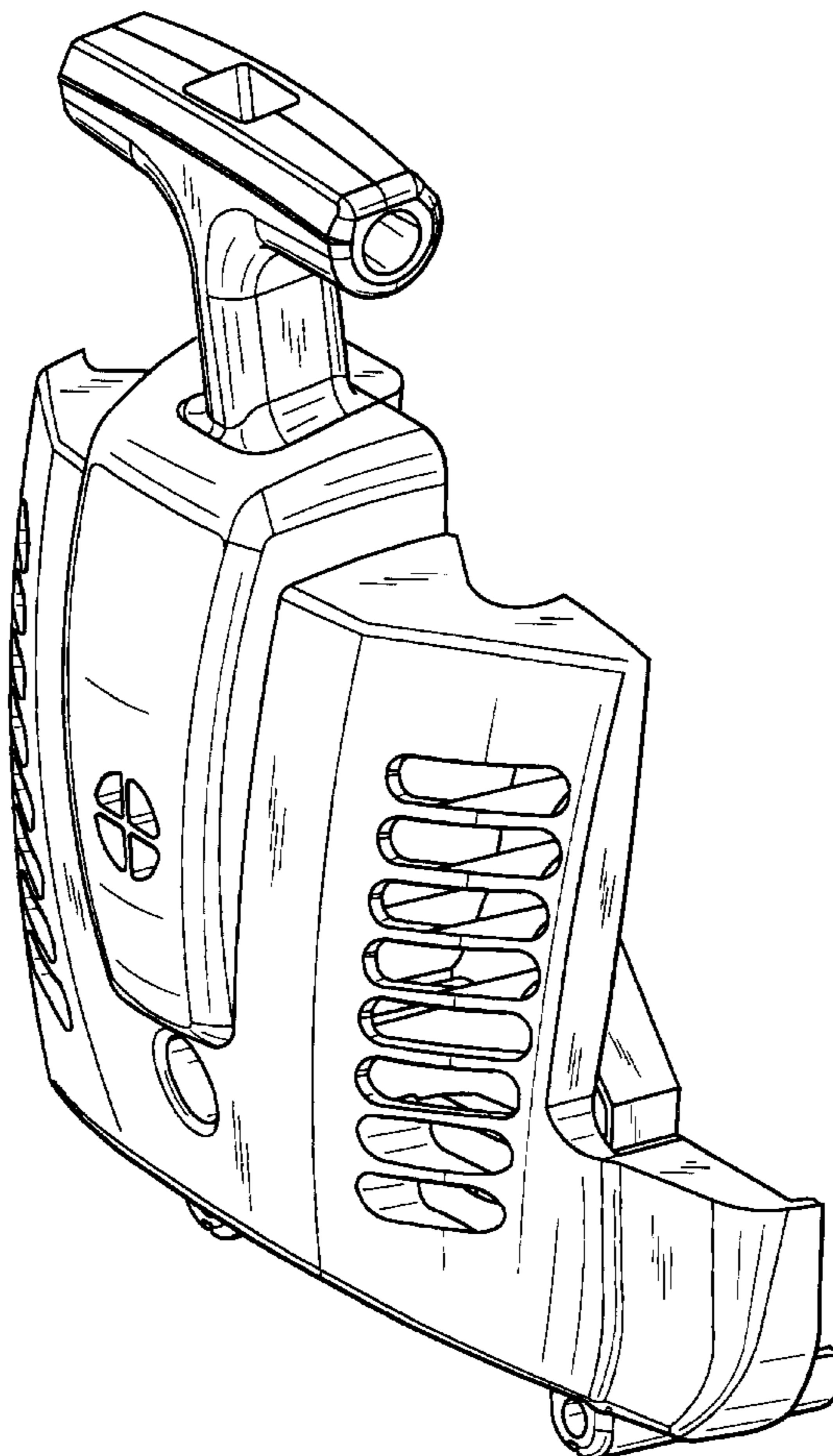
FIG. 1 is a front perspective view showing our new starting device for a trimmer;  
FIG. 2 is a rear perspective view thereof;  
FIG. 3 is a top plan view thereof;  
FIG. 4 is a bottom plan view thereof;  
FIG. 5 is a right side elevation view thereof;  
FIG. 6 is a left side elevation view thereof; and,  
FIG. 7 is a front perspective view thereof.

(56) **References Cited**

**U.S. PATENT DOCUMENTS**

D260,394 S \* 8/1981 Tuggle ..... D8/8

**1 Claim, 6 Drawing Sheets**



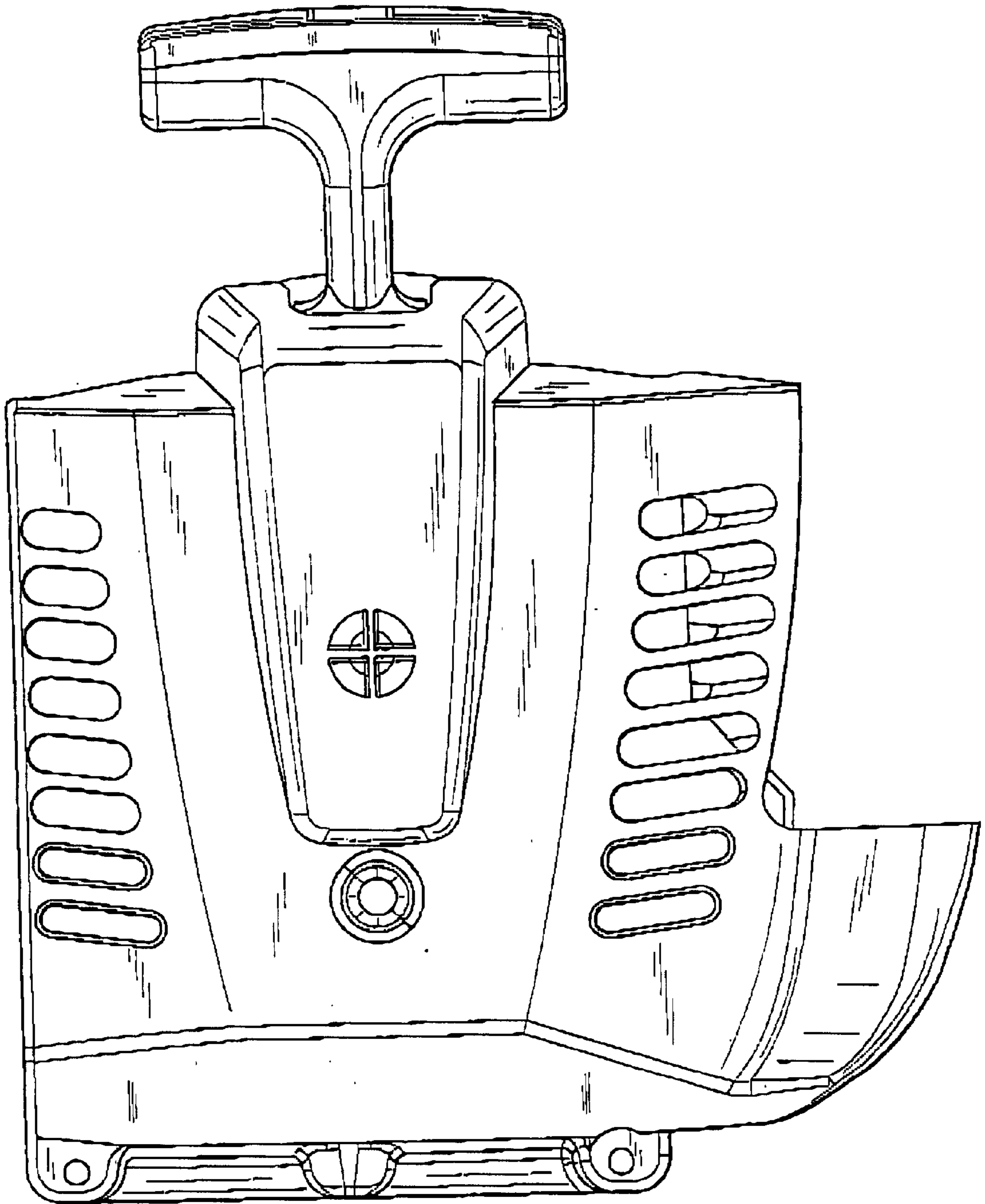


FIG. 1

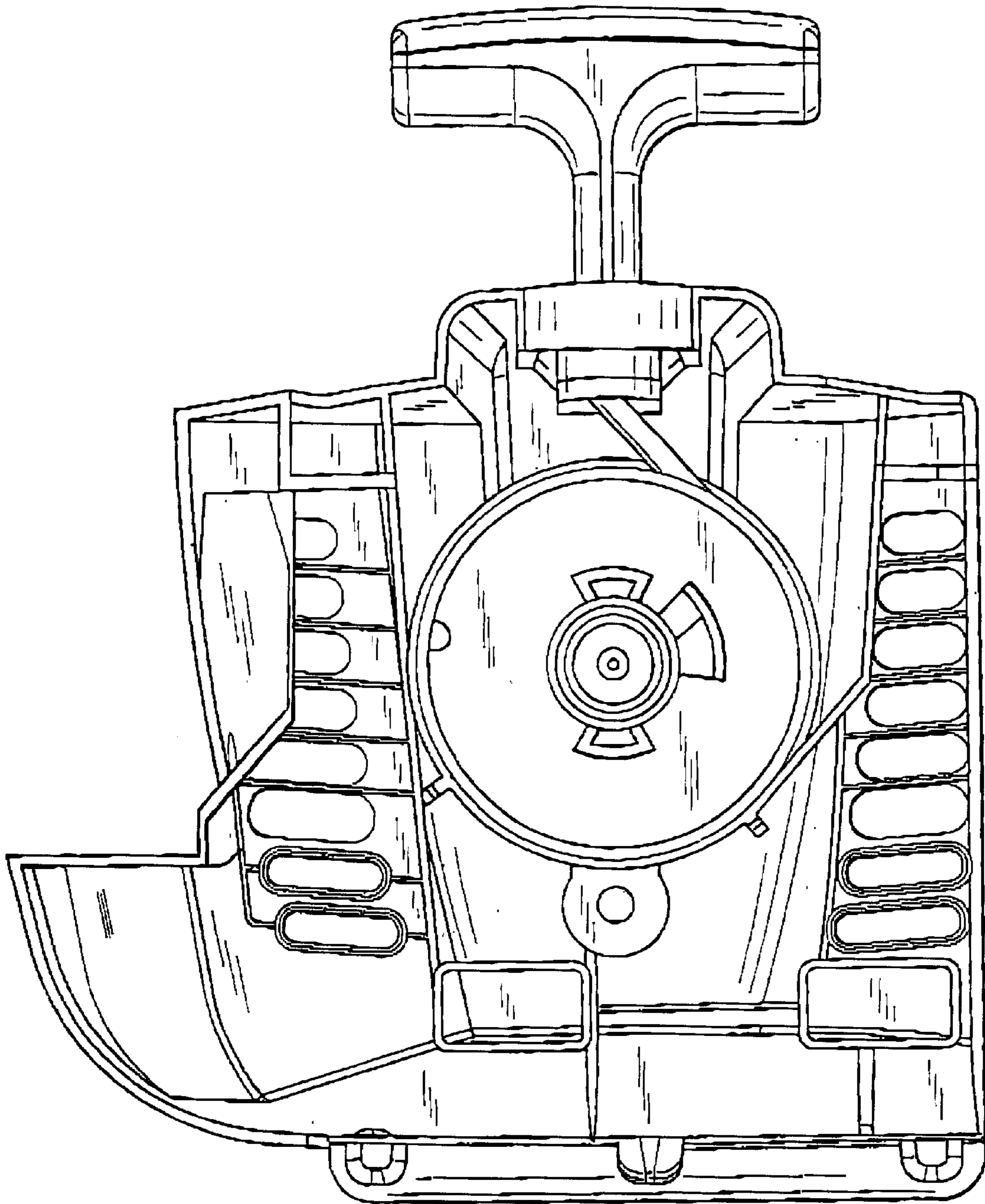


FIG. 2

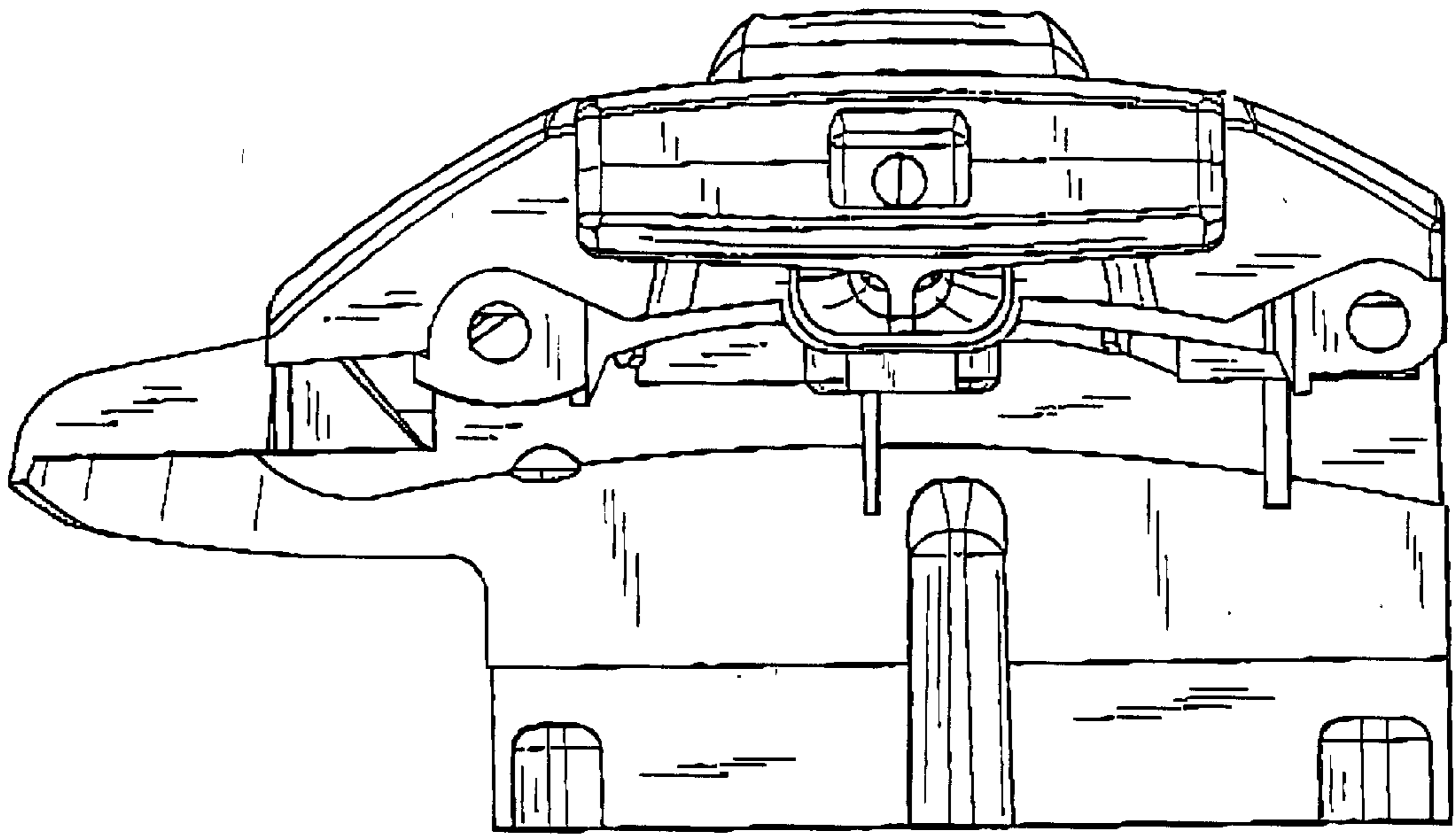


FIG. 3

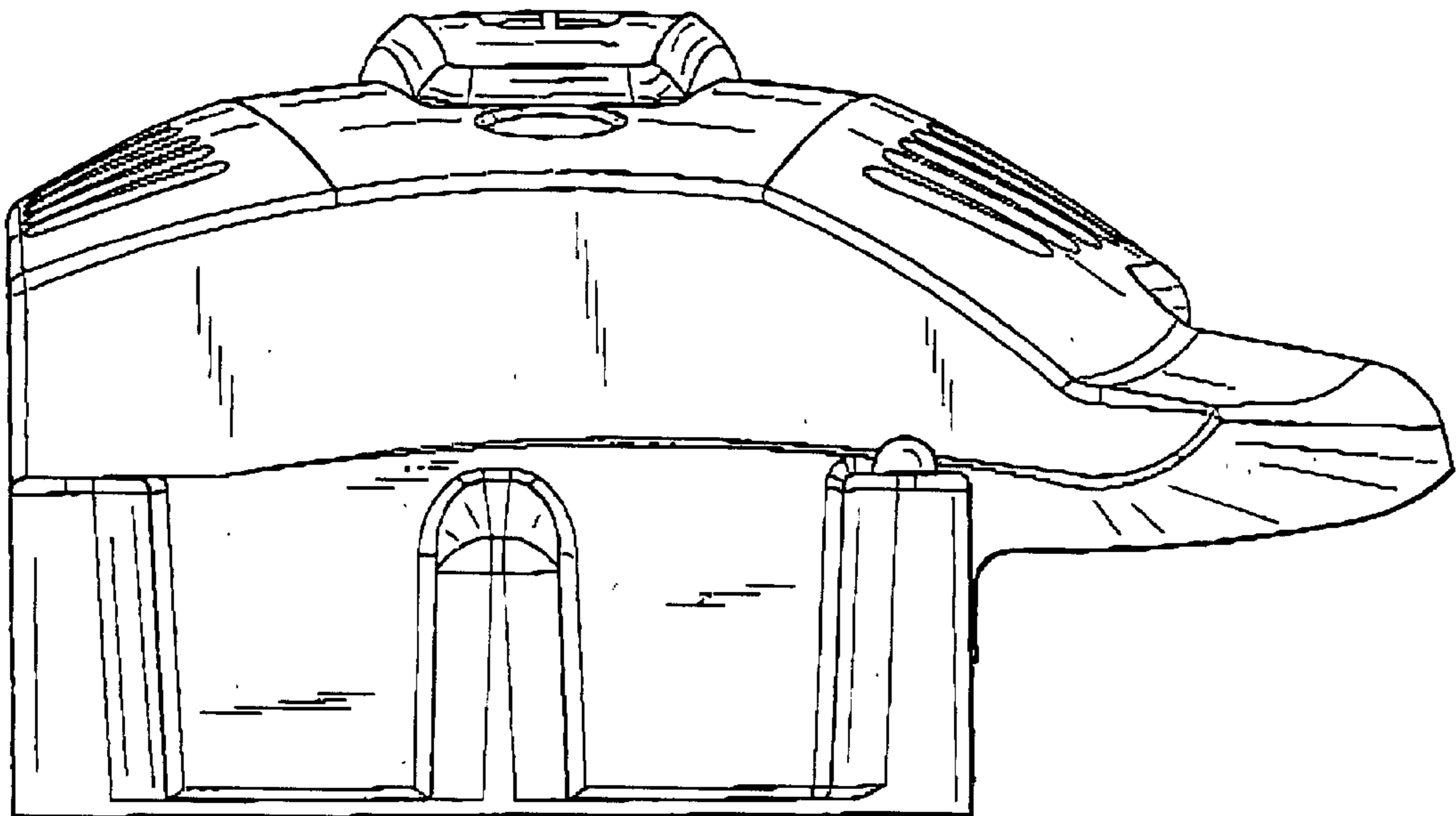


FIG. 4

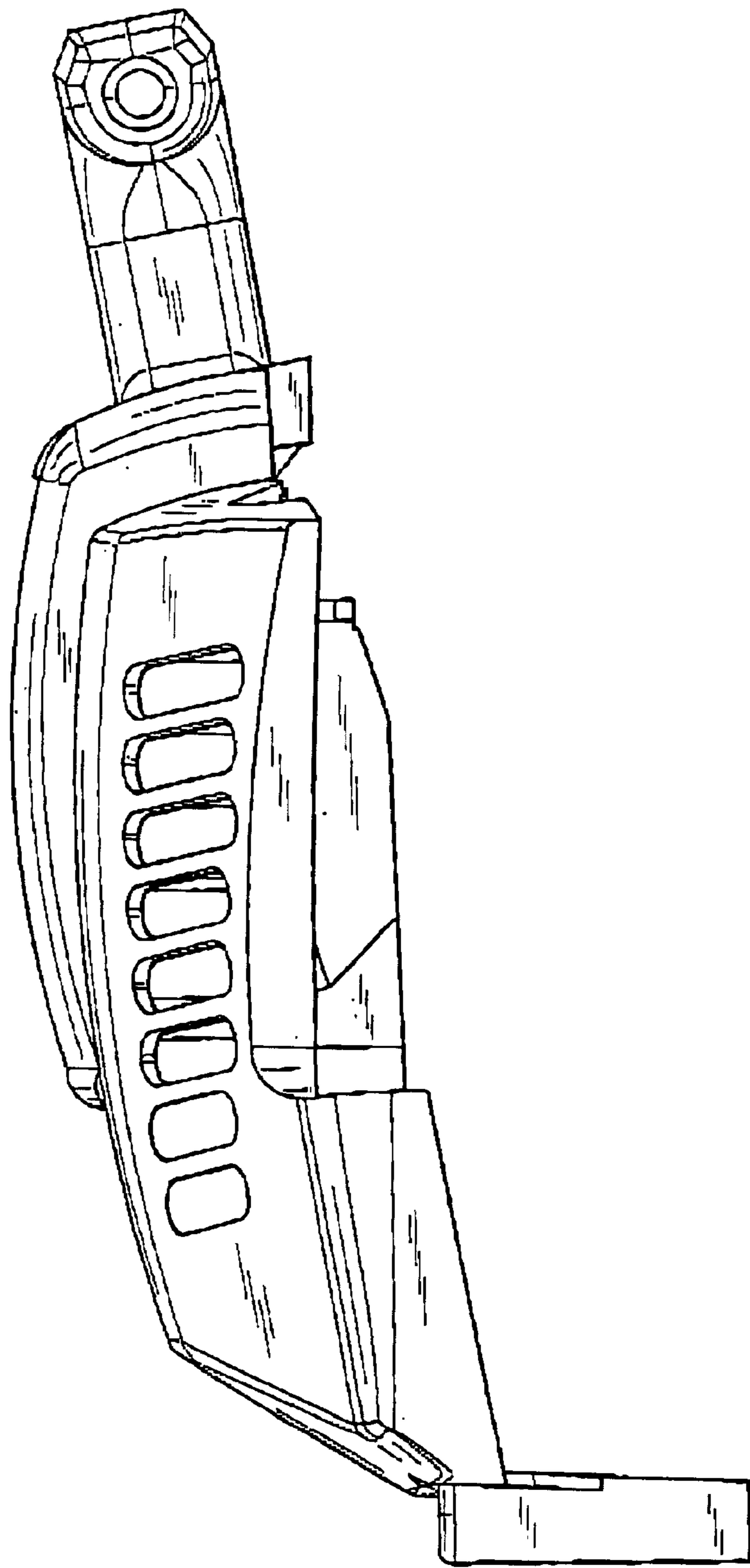


FIG. 5



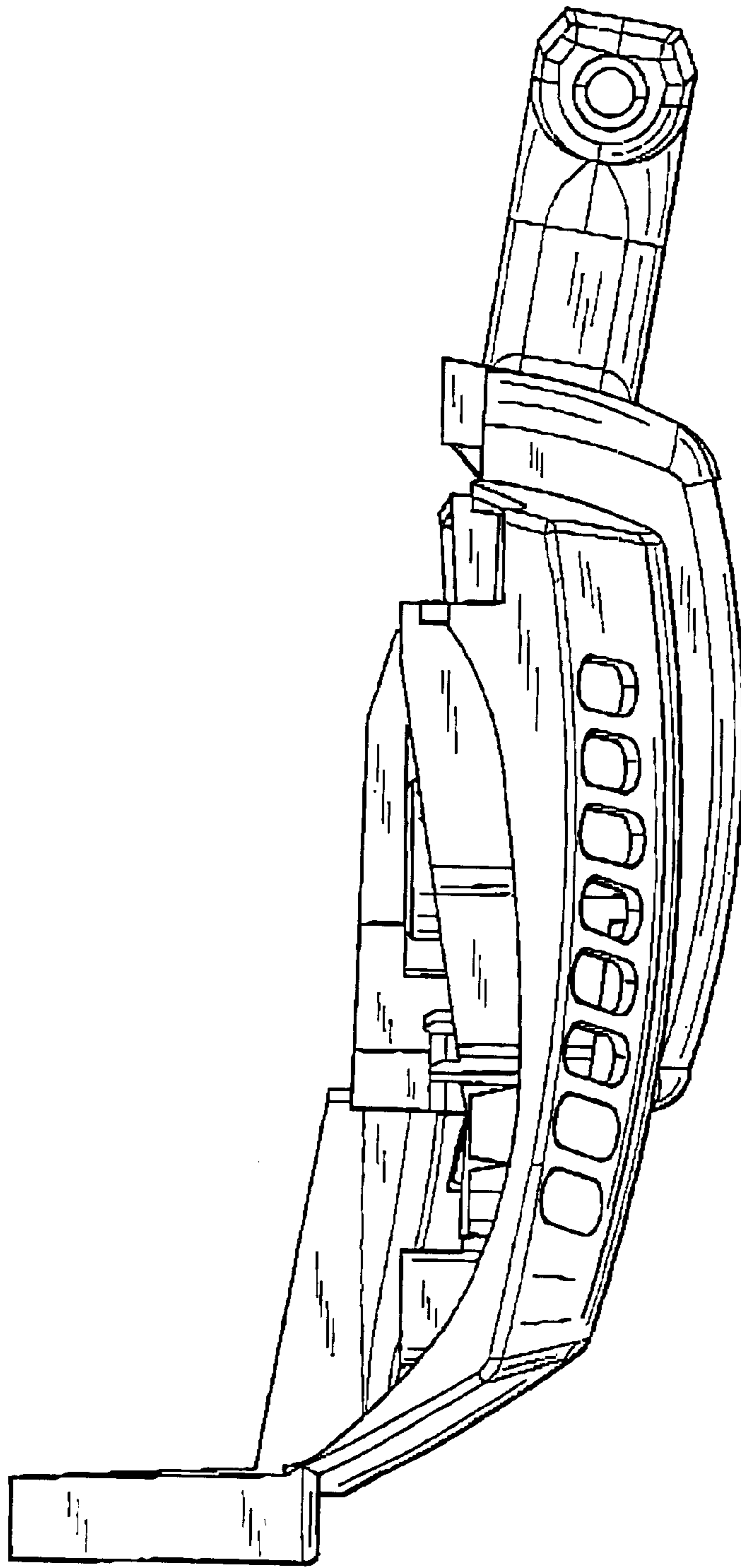


FIG. 6

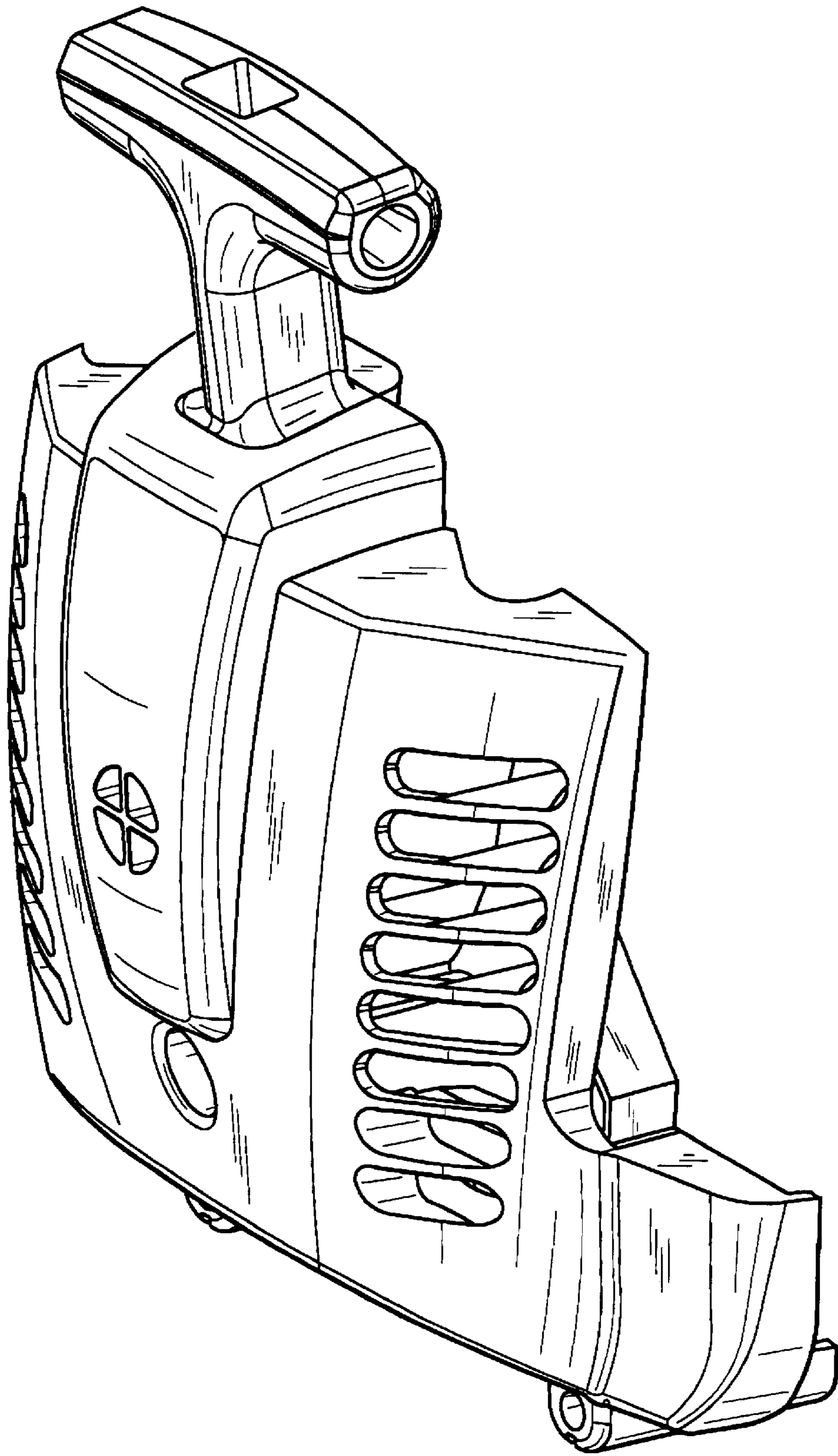


FIG. 7