



US00D478785S

(12) **United States Design Patent**
Rorke et al.

(10) **Patent No.:** **US D478,785 S**

(45) **Date of Patent:** **** Aug. 26, 2003**

- (54) **CONTAINER IN THE SHAPE OF AN APPLE**
- (75) Inventors: **Brooks Rorke**, Melbourne, FL (US);
Peter F. Kotsonis, Orlando, FL (US)
- (73) Assignee: **Dart Industries Inc.**, Orlando, FL (US)
- (**) Term: **14 Years**
- (21) Appl. No.: **29/165,960**
- (22) Filed: **Aug. 20, 2002**
- (51) **LOC (7) Cl.** **07-01**
- (52) **U.S. Cl.** **D7/628**
- (58) **Field of Search** D7/601, 602, 606,
D7/613, 628, 629, 539, 544; D3/270, 271;
D9/329; 206/457; 229/116.1-116.5

- D347,973 S 6/1994 McBride
- D355,326 S 2/1995 Lebowitz
- D385,778 S 11/1997 Luh et al. D9/329
- D390,104 S 2/1998 Owen D9/329
- D418,022 S 12/1999 Hansen D7/606
- D423,296 S 4/2000 Hansen D7/606
- D423,297 S 4/2000 Hansen D7/606
- D423,298 S 4/2000 Hansen D7/606
- D423,882 S 5/2000 Hansen D7/606
- D423,883 S 5/2000 Hansen D7/606
- D431,977 S 10/2000 Borges D7/702
- D442,031 S 5/2001 Perez D7/628
- D445,309 S 7/2001 Menow et al. D7/628
- D447,388 S 9/2001 Liu D7/613
- D449,494 S 10/2001 Cousins D7/629

OTHER PUBLICATIONS

The Horchow Collection Christmas 1976 Part 1—1 page.

Primary Examiner—Terry A. Wallace

(74) *Attorney, Agent, or Firm*—John A. Doninger

(56) **References Cited**

U.S. PATENT DOCUMENTS

- D12,183 S 3/1881 Mabbett
- D59,438 S 10/1921 Stock
- D67,216 S 5/1925 Levey
- D67,876 S 7/1925 Couch
- D79,074 S 7/1929 Groth
- D88,428 S 11/1932 Mezquita
- D92,145 S 5/1934 Kinney
- D94,043 S 12/1934 Noble
- D98,950 S 3/1936 Trelle
- 2,098,823 A 11/1937 Gurley
- D132,918 S 6/1942 Temple
- D140,841 S 4/1945 D'Amato
- D193,690 S 9/1962 Hayes
- D233,413 S 10/1974 Pietsch
- D292,556 S 11/1987 Daugherty
- 4,795,033 A 1/1989 Duffy
- D299,992 S 2/1989 Michel

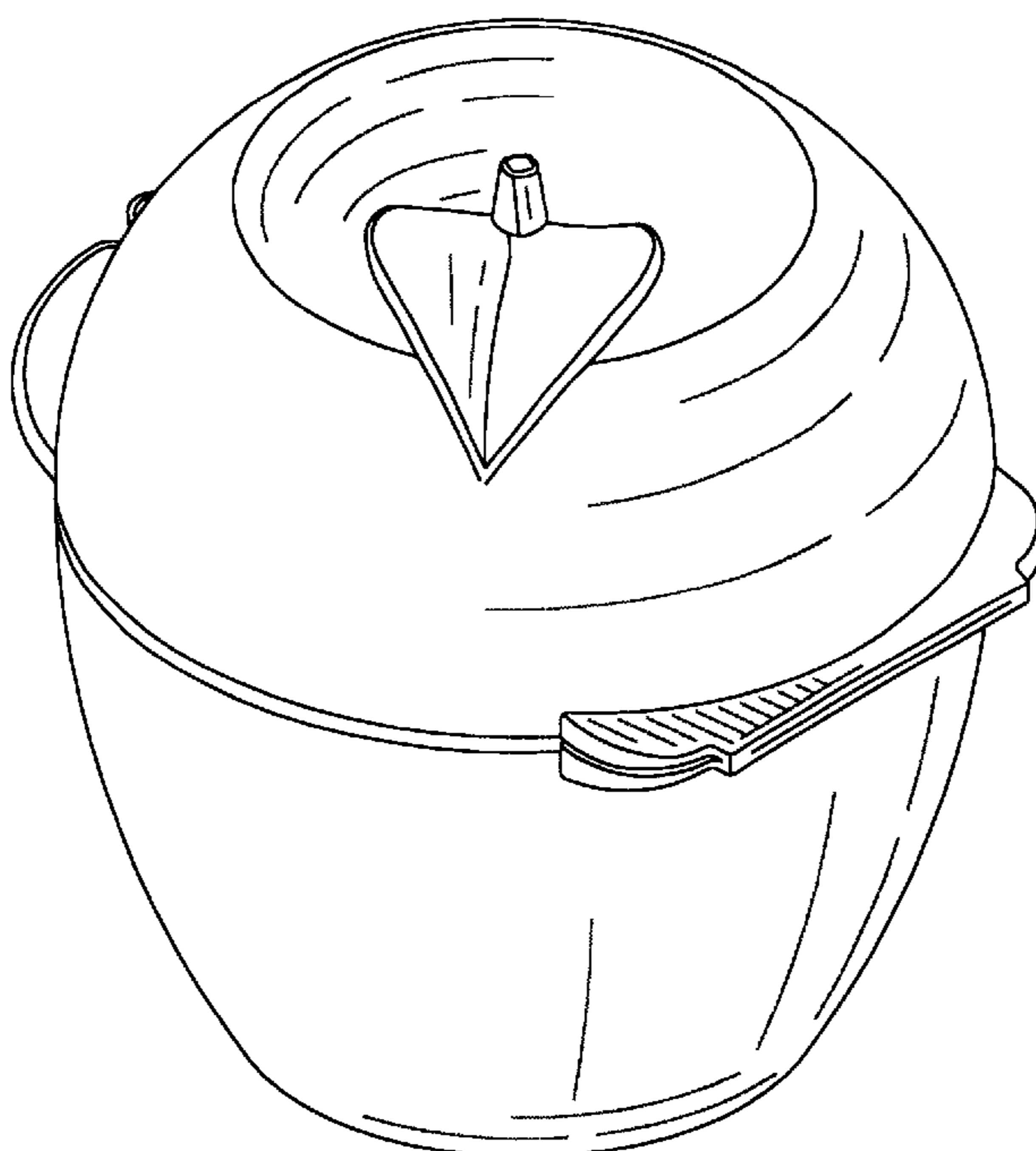
(57) **CLAIM**

The ornamental design for a container in the shape of an apple, as shown and described.

DESCRIPTION

FIG. 1 is a top, side and rear perspective view of a container in the shape of an apple showing the new design;
FIG. 2 is a left elevation view thereof;
FIG. 3 is a right side elevation view thereof;
FIG. 4 is a rear elevation view thereof;
FIG. 5 is a front elevation view thereof;
FIG. 6 is a top plan view thereof; and,
FIG. 7 is a bottom plan view thereof.

1 Claim, 3 Drawing Sheets



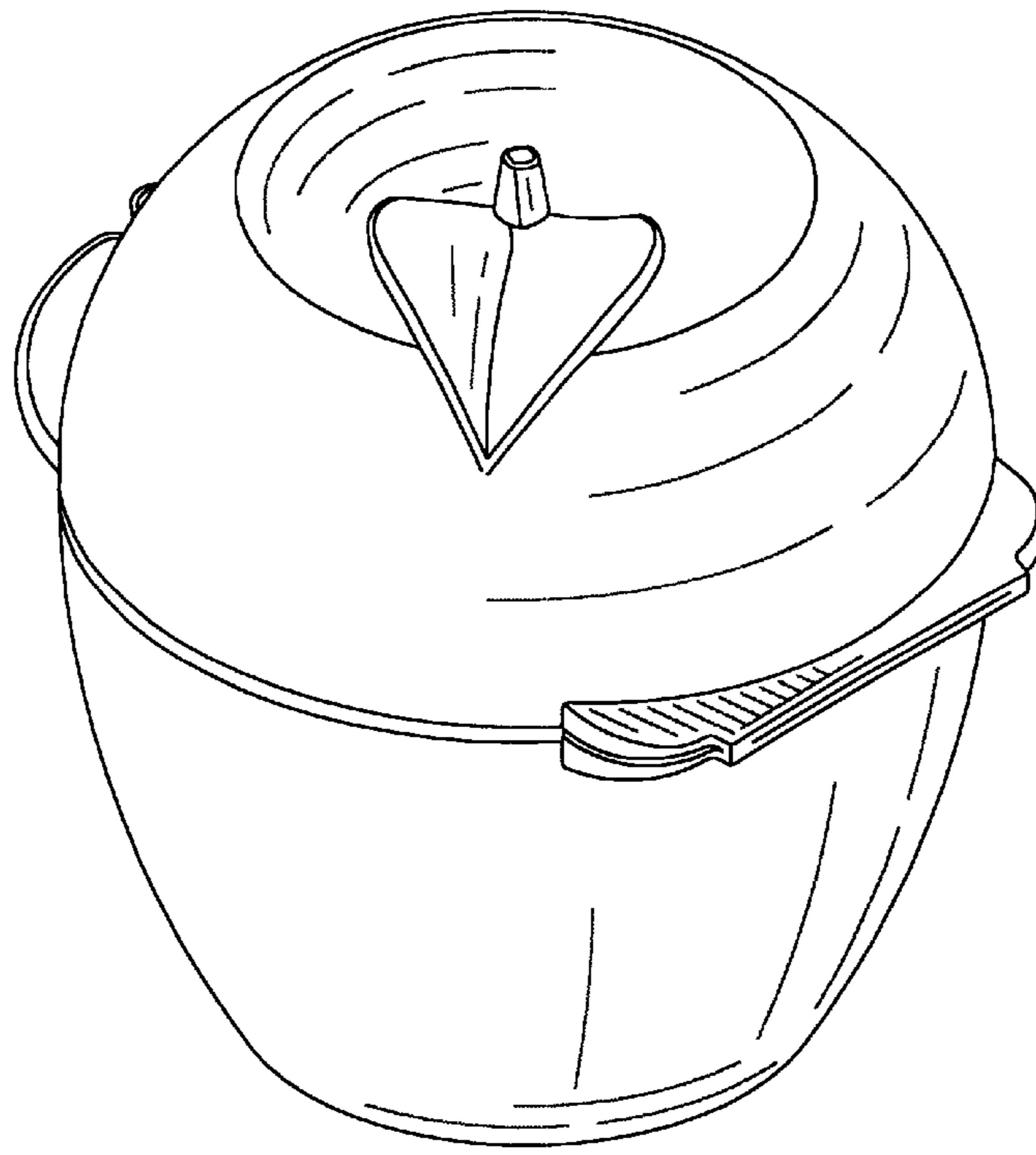


FIG. 1

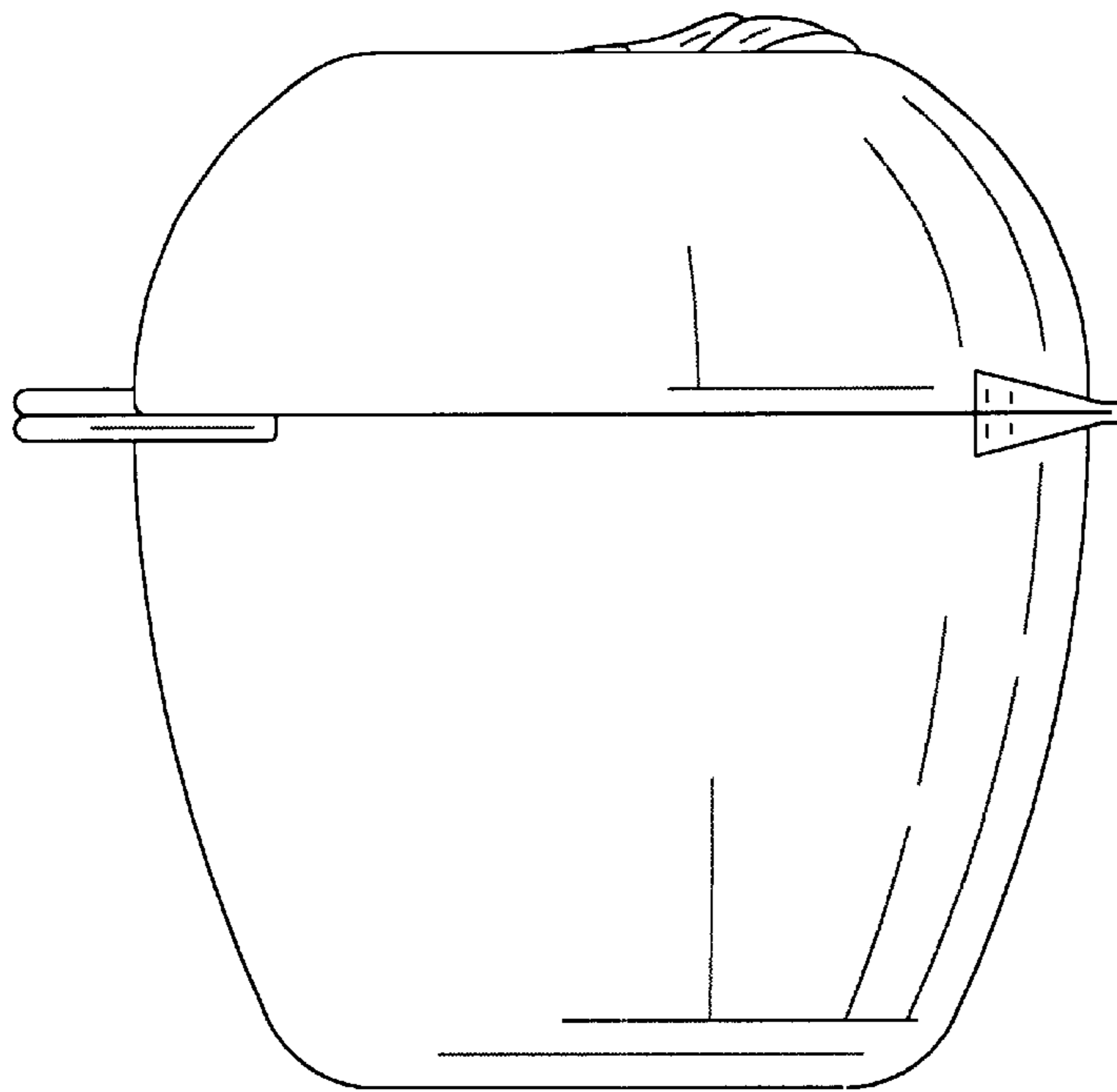


FIG. 2

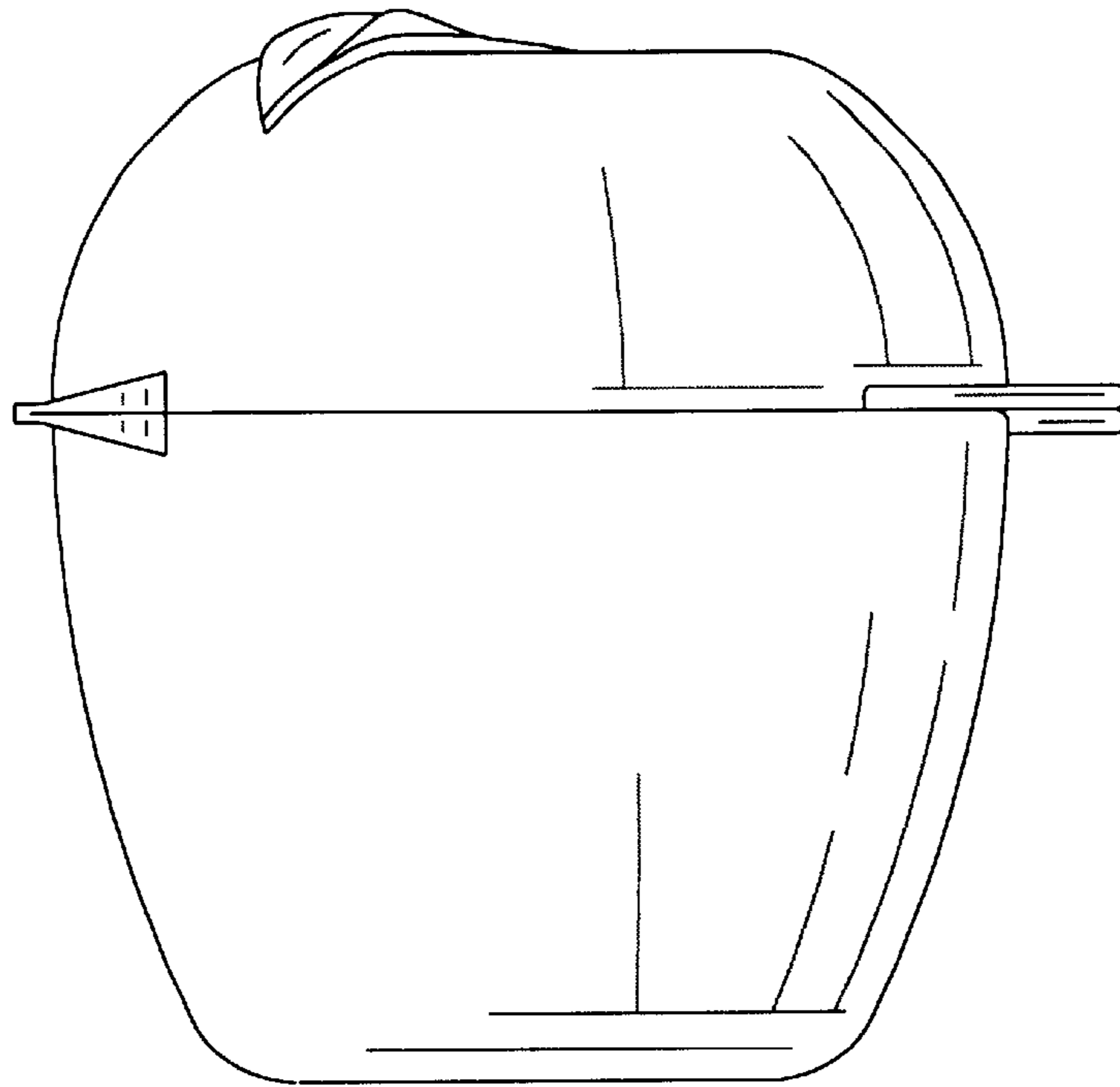


FIG. 3

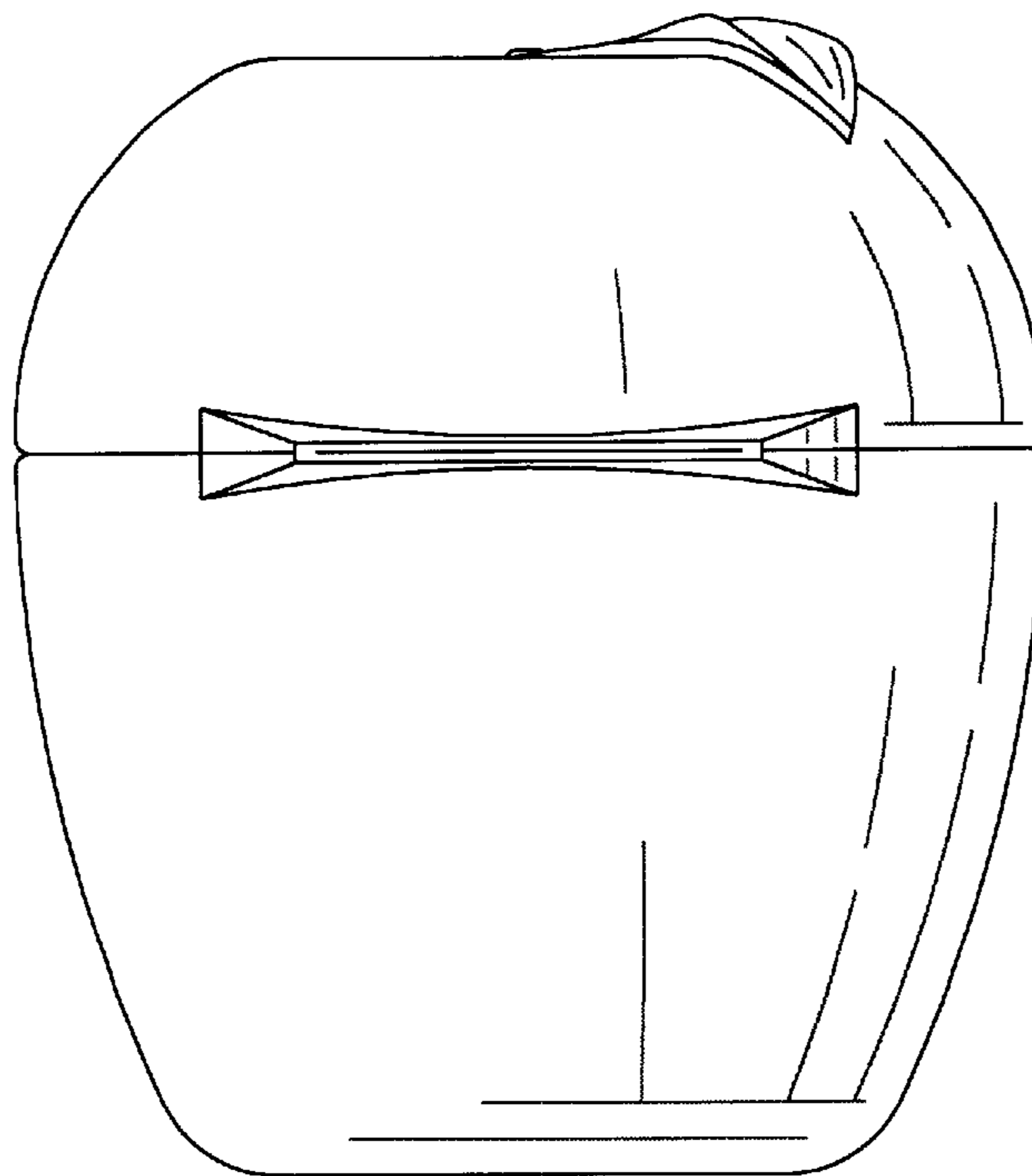


FIG. 4

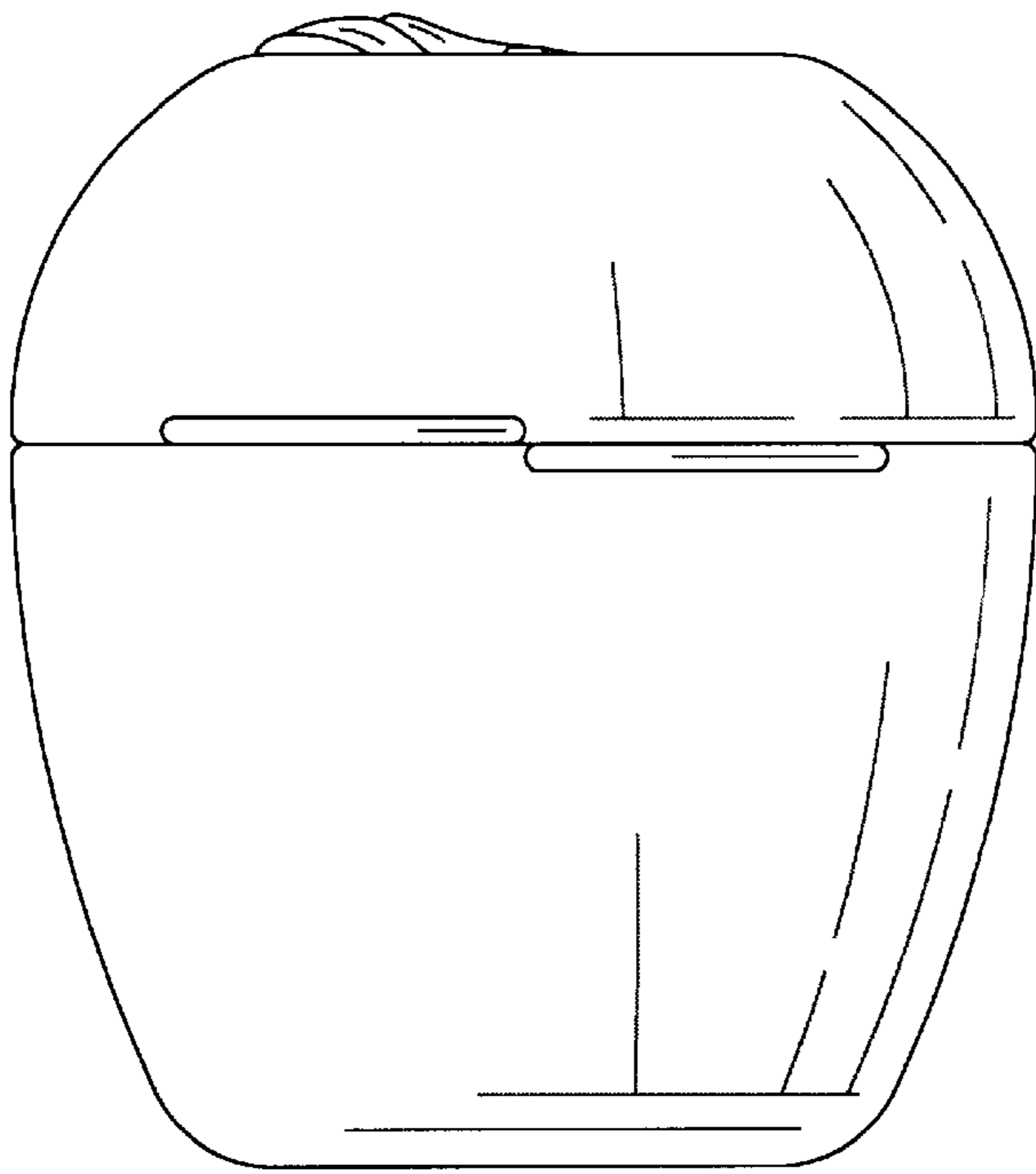


FIG. 5

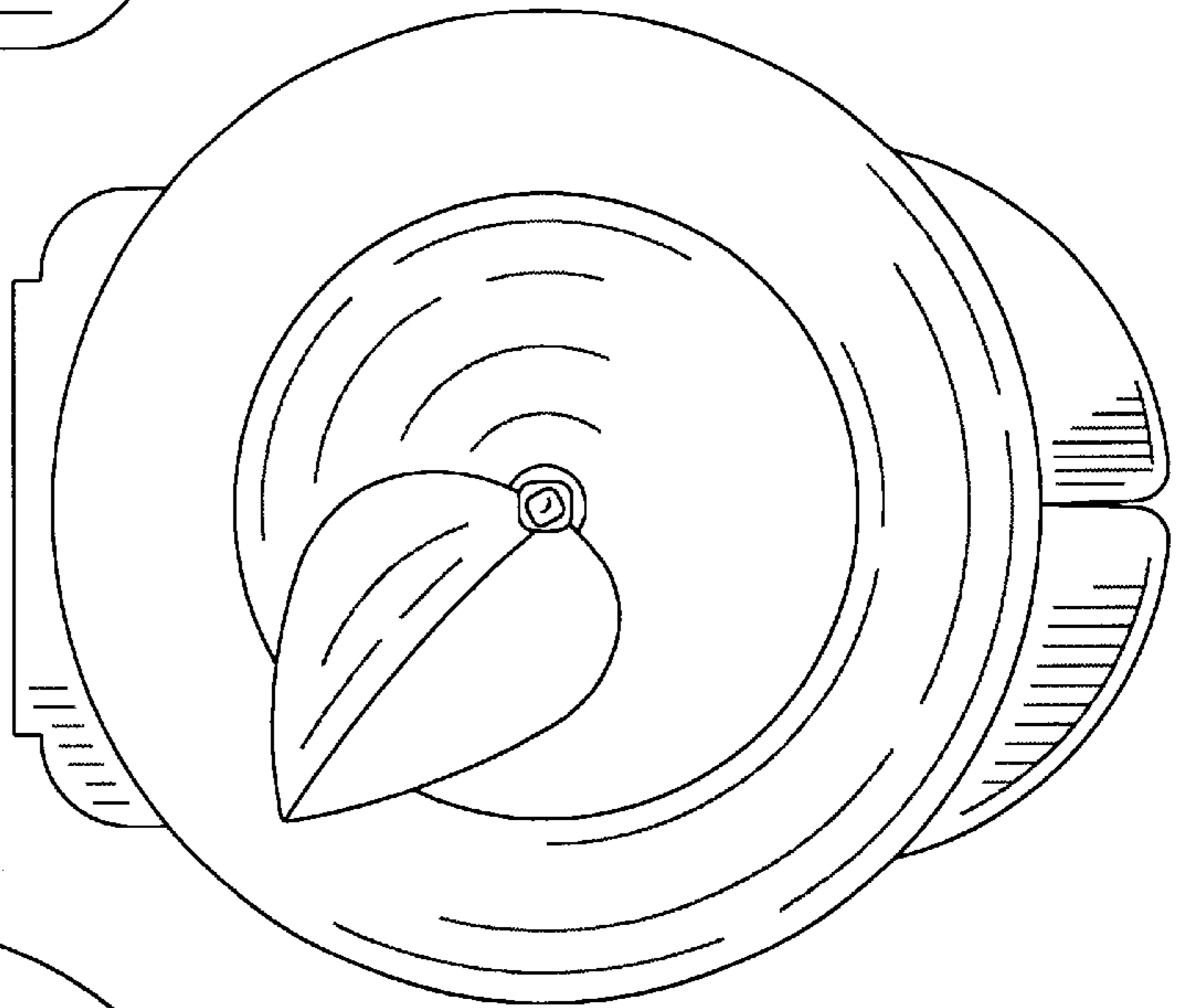


FIG. 6

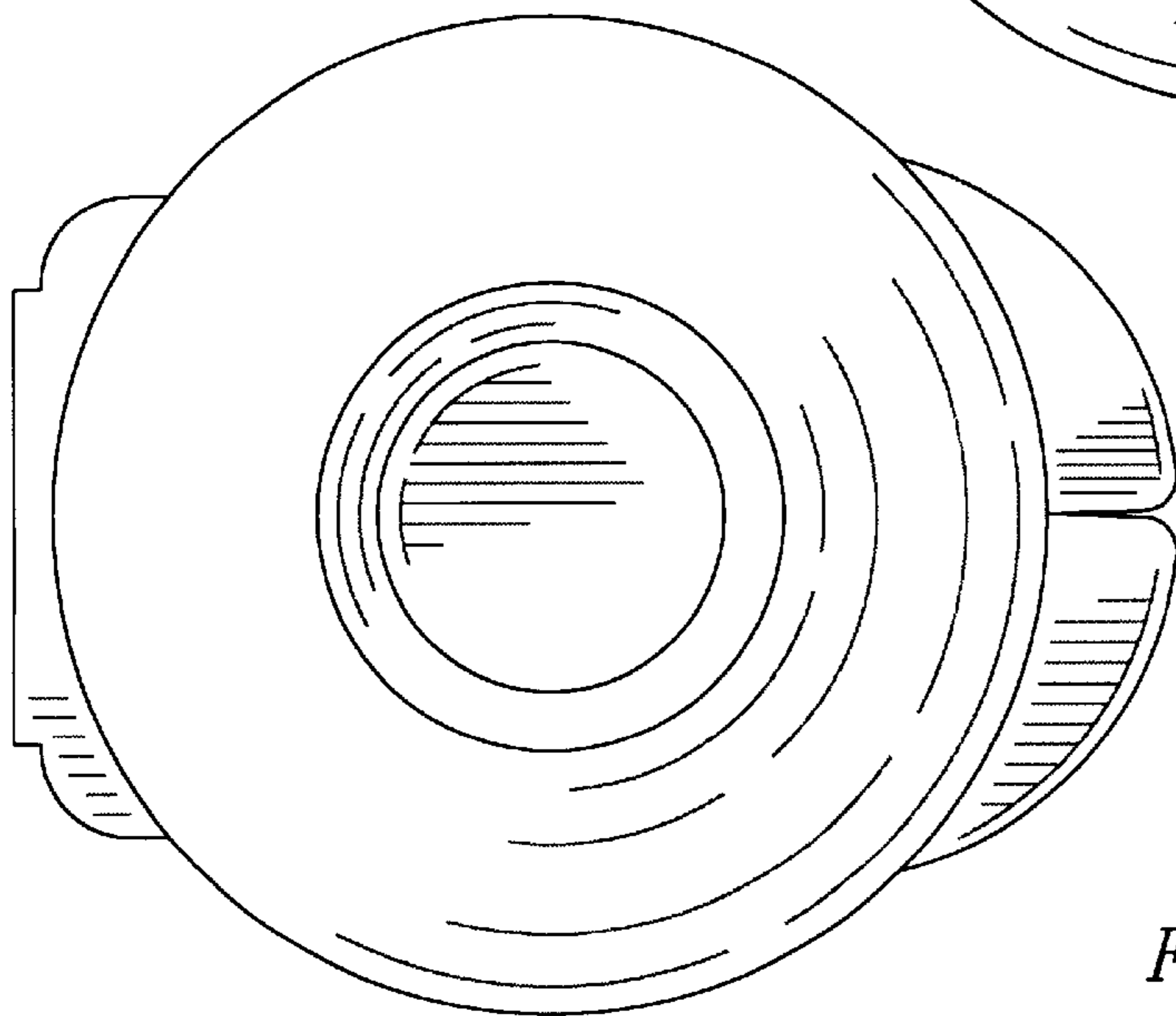


FIG. 7