



US00D478782S

(12) **United States Design Patent**  
**Li**

(10) **Patent No.:** **US D478,782 S**

(45) **Date of Patent:** **\*\* Aug. 26, 2003**

(54) **COOLER BAG**

(76) Inventor: **Daniel Dai Li**, No. 2, Shitoubei 3,  
Sanliancun, Buji, Shenzhen (CN)

(\*\*) Term: **14 Years**

(21) Appl. No.: **29/166,056**

(22) Filed: **Aug. 20, 2002**

(30) **Foreign Application Priority Data**

Feb. 21, 2002 (CN) ..... 02 3 22350

(51) **LOC (7) Cl.** ..... **07-01**

(52) **U.S. Cl.** ..... **D7/607**

(58) **Field of Search** ..... D7/605-608; D3/273,  
D3/276, 283-287, 289; 62/457.1-457.7,  
371, 372; 220/592.2, 592.24, 592.25, 915.1,  
915.2; 383/97, 110, 113

(56) **References Cited**

**U.S. PATENT DOCUMENTS**

- 4,537,313 A \* 8/1985 Workman ..... 383/110
- 4,805,776 A \* 2/1989 Namgyal et al. .... 383/110
- D340,840 S \* 11/1993 Melk ..... D7/607
- D382,771 S \* 8/1997 Mogil ..... D7/607
- D382,772 S \* 8/1997 Mogil ..... D7/607

D387,249 S \* 12/1997 Mogil ..... D7/607

\* cited by examiner

*Primary Examiner*—Terry A. Wallace

(74) *Attorney, Agent, or Firm*—Robert F. I. Conte; Barnes & Thornburg

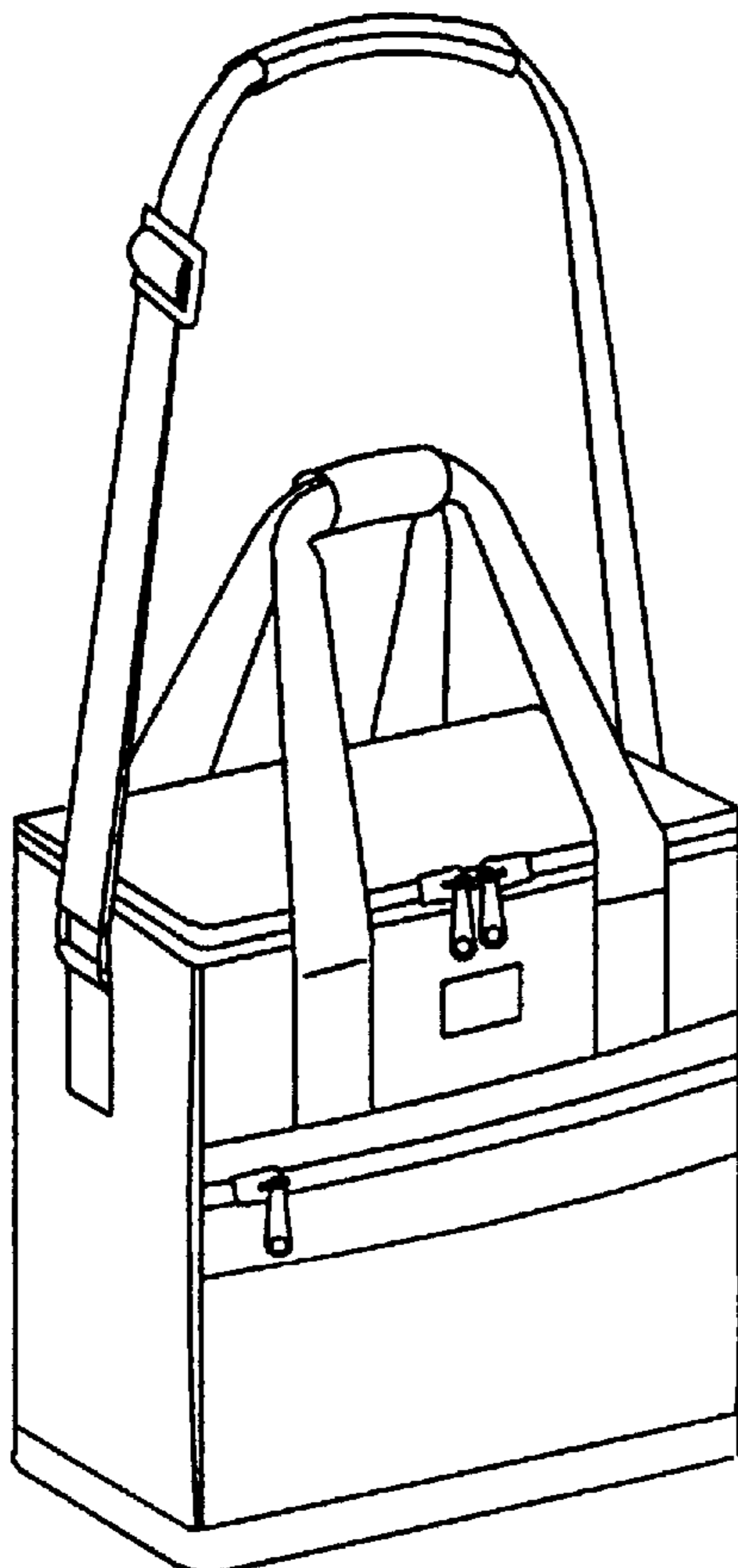
(57) **CLAIM**

The ornamental design for a cooler bag, substantially as shown and described.

**DESCRIPTION**

FIG. 1 is a perspective view of a cooler bag showing my new design;  
 FIG. 2 is an in-use view of the cooler bag shown in FIG. 1;  
 FIG. 3 is a front plan view of the cooler bag shown in FIG. 1;  
 FIG. 4 is a back plan view of the cooler bag shown in FIG. 1;  
 FIG. 5 is a left side plan view of the cooler bag shown in FIG. 1;  
 FIG. 6 is a right side plan view of the cooler bag shown in FIG. 1;  
 FIG. 7 is a top plan view of the cooler bag shown in FIG. 1;  
 and,  
 FIG. 8 is a bottom plan view of the cooler bag shown in FIG. 1.

**1 Claim, 4 Drawing Sheets**



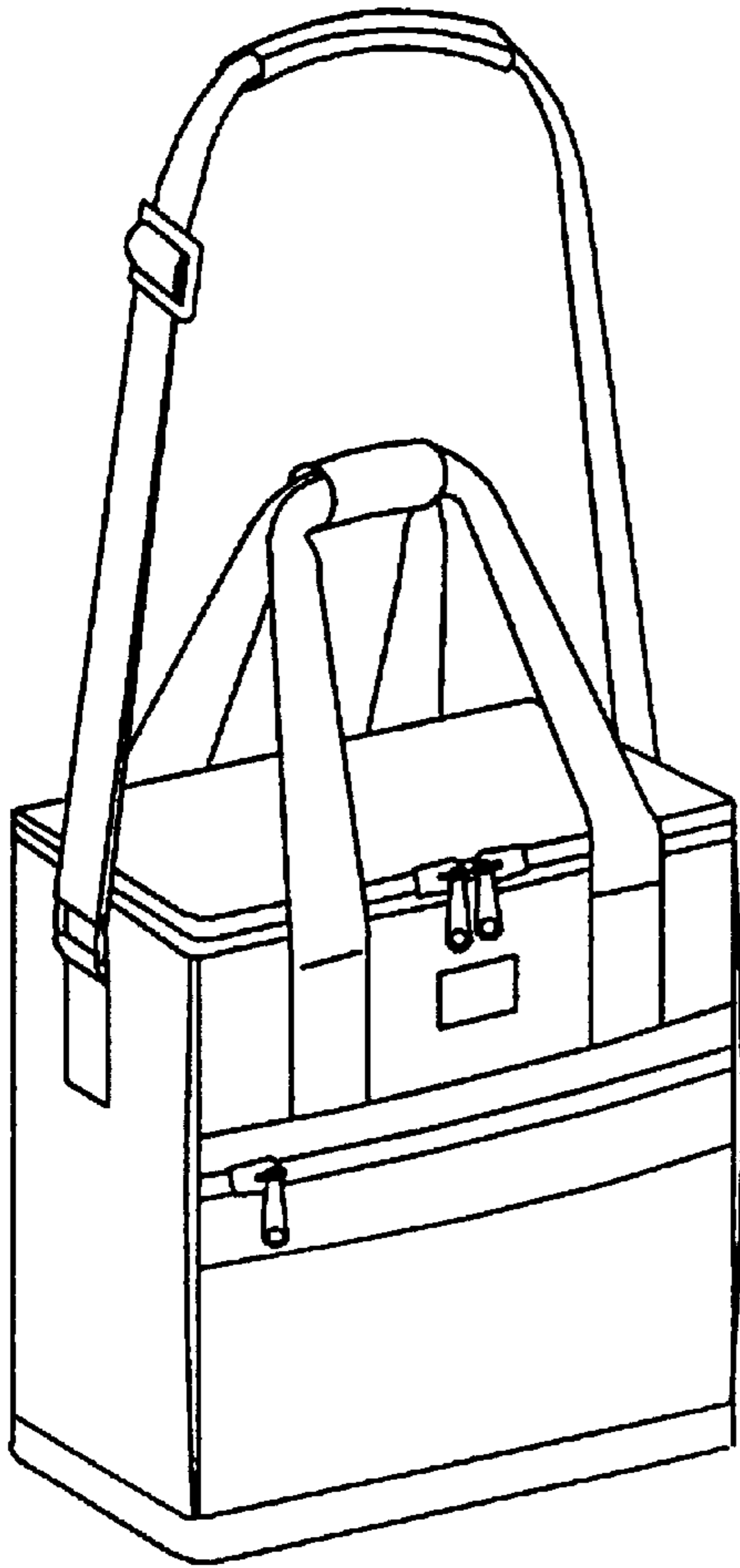


FIG. 1

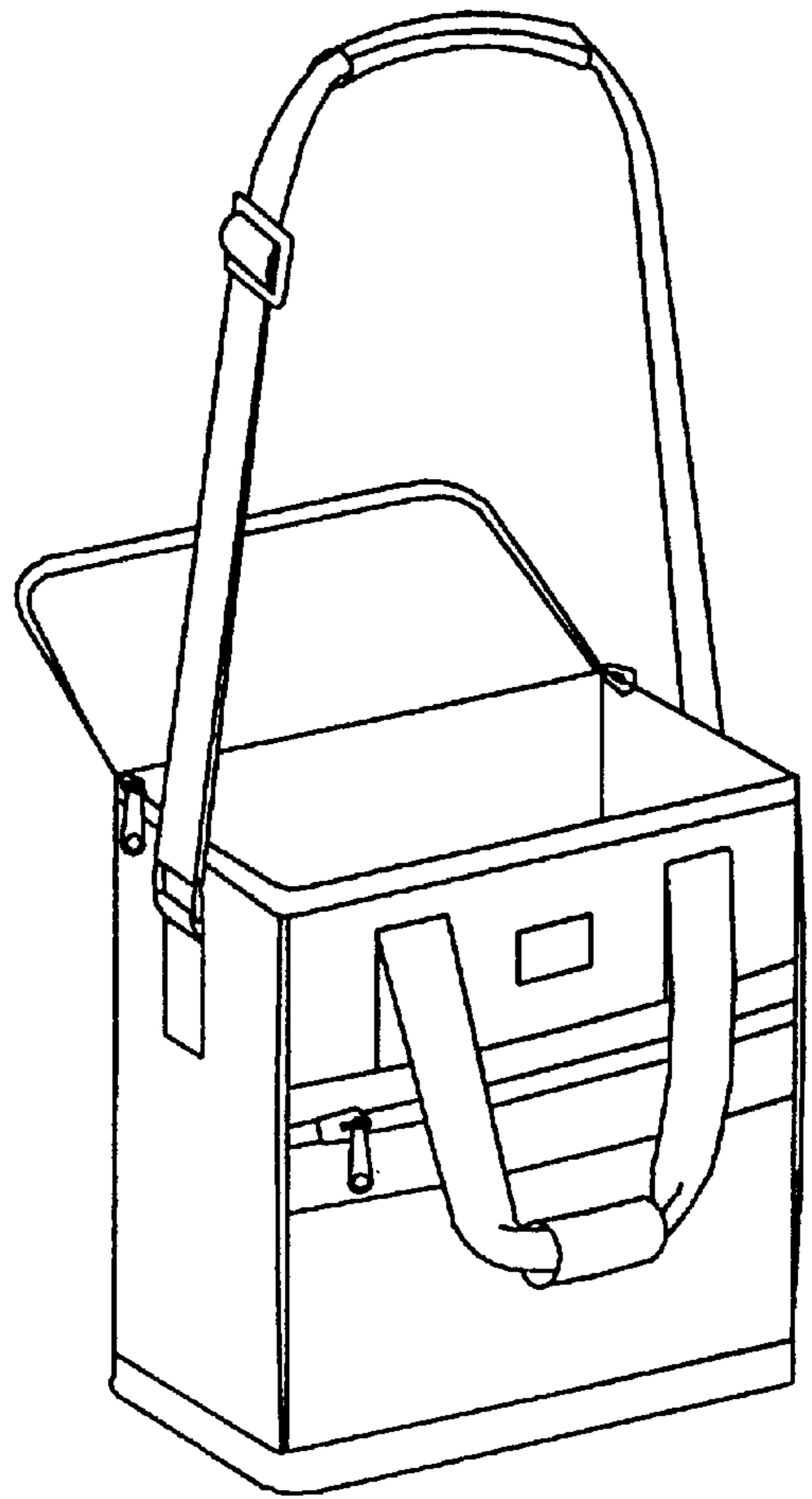


FIG. 2

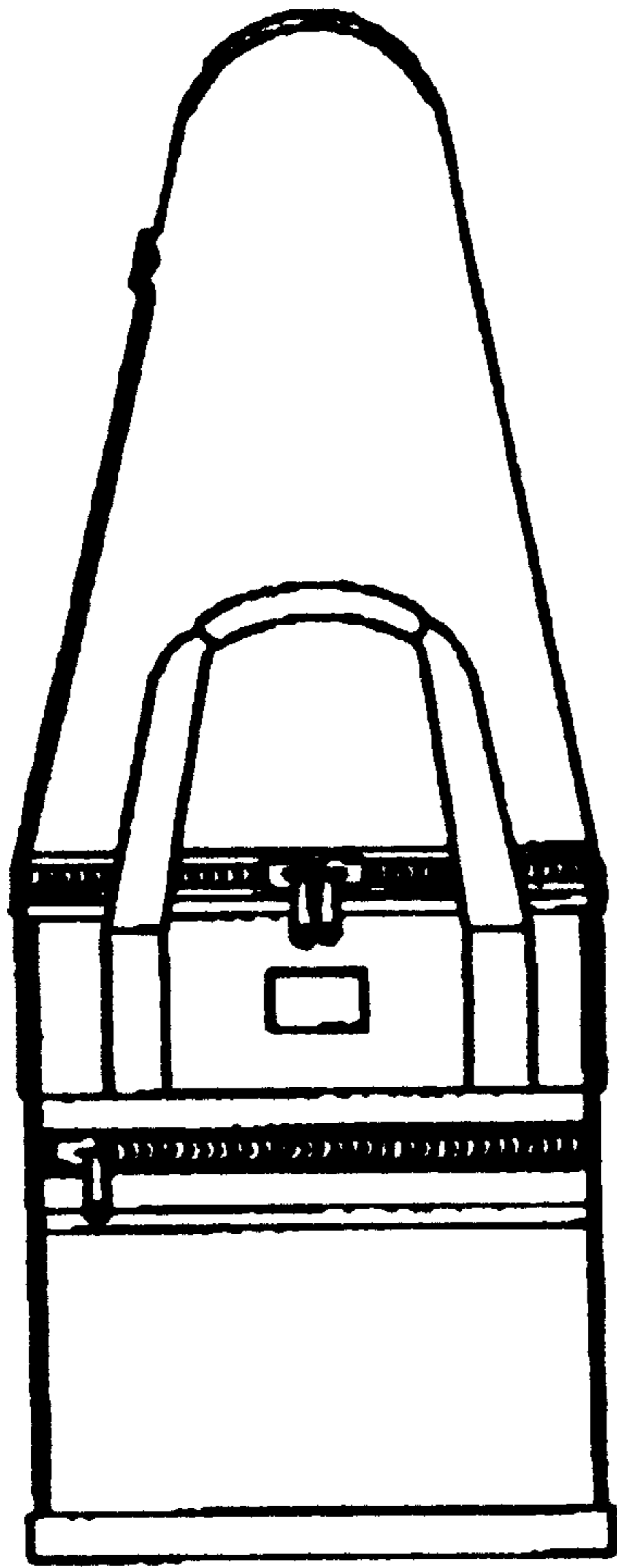


FIG 3

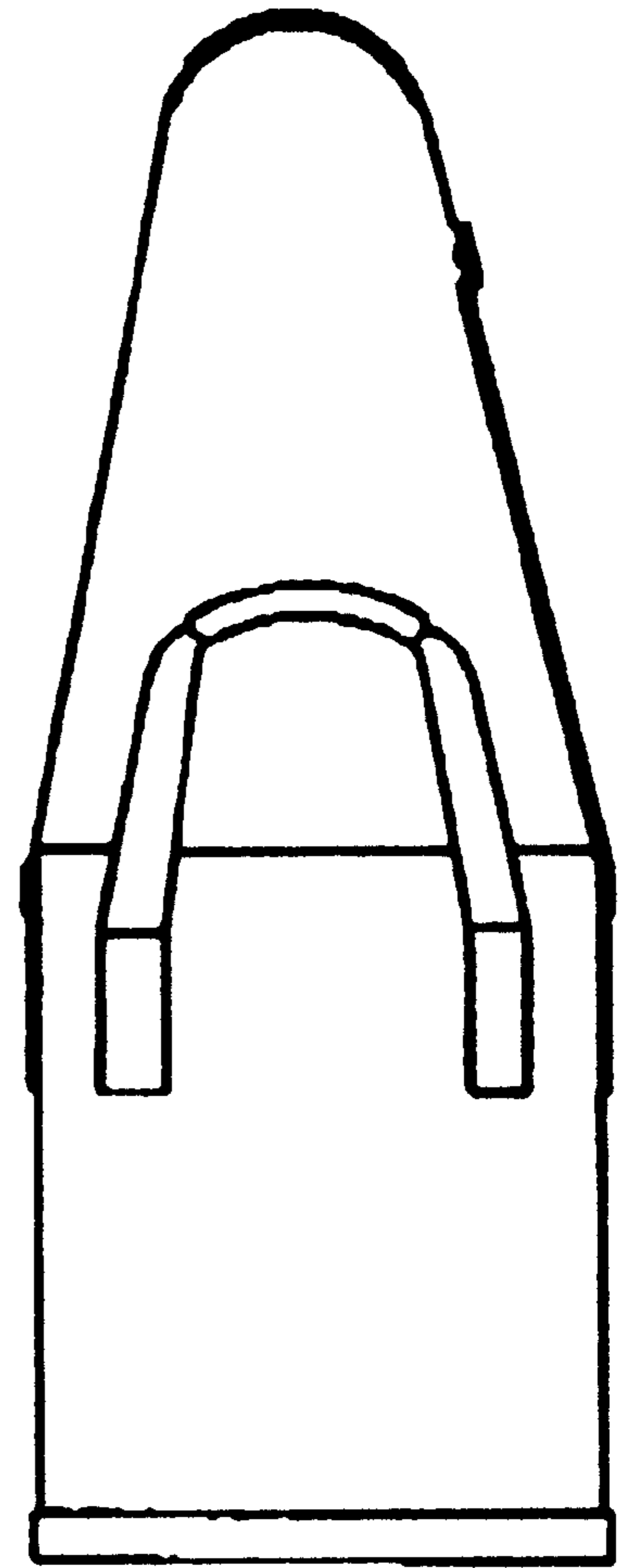


FIG 4

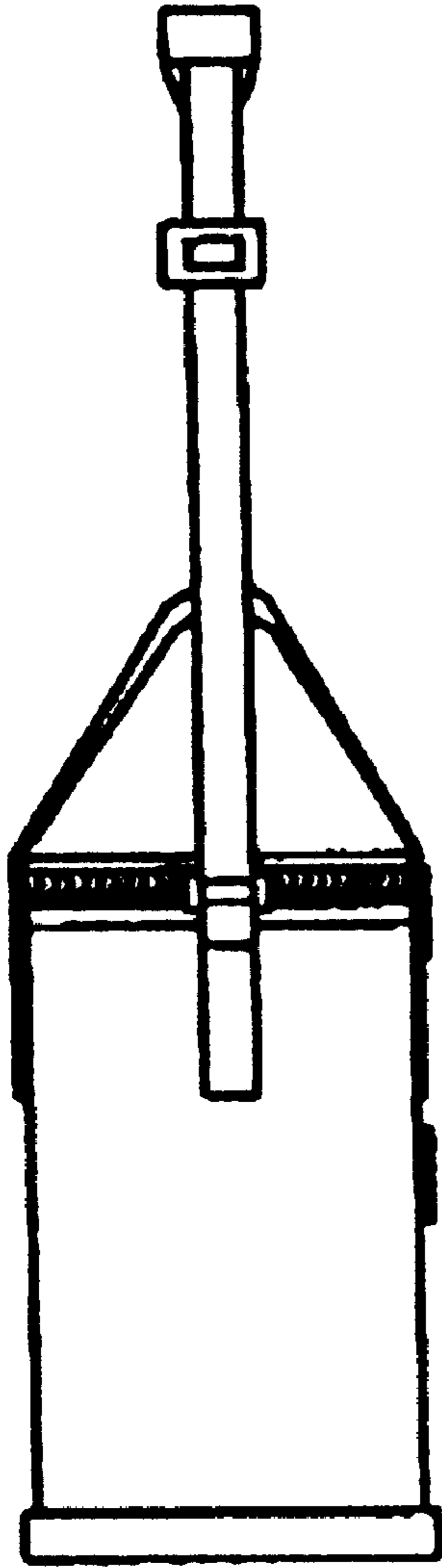


FIG. 5

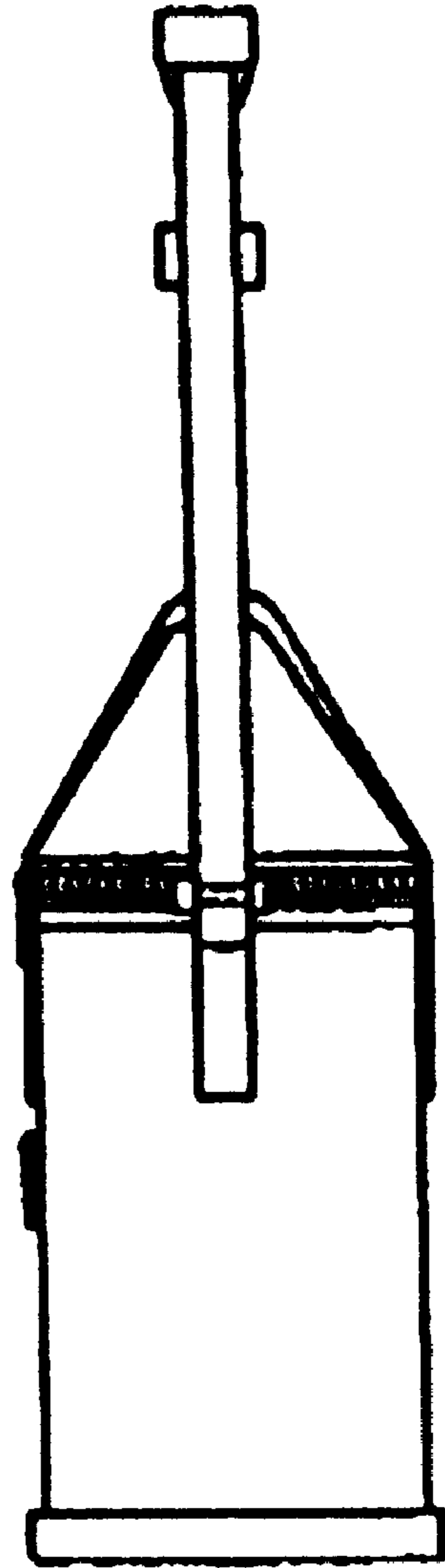


FIG. 6

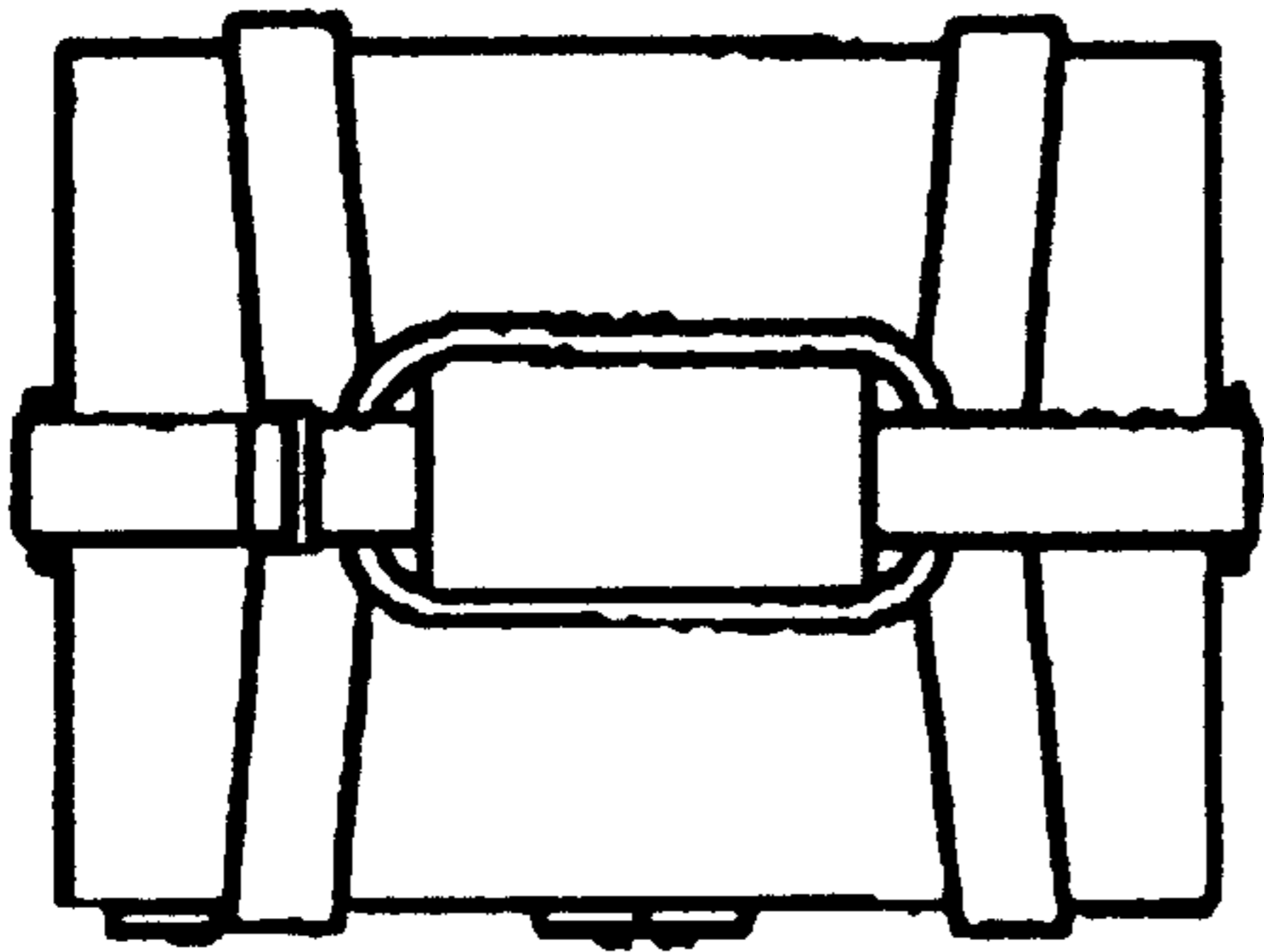


FIG 7

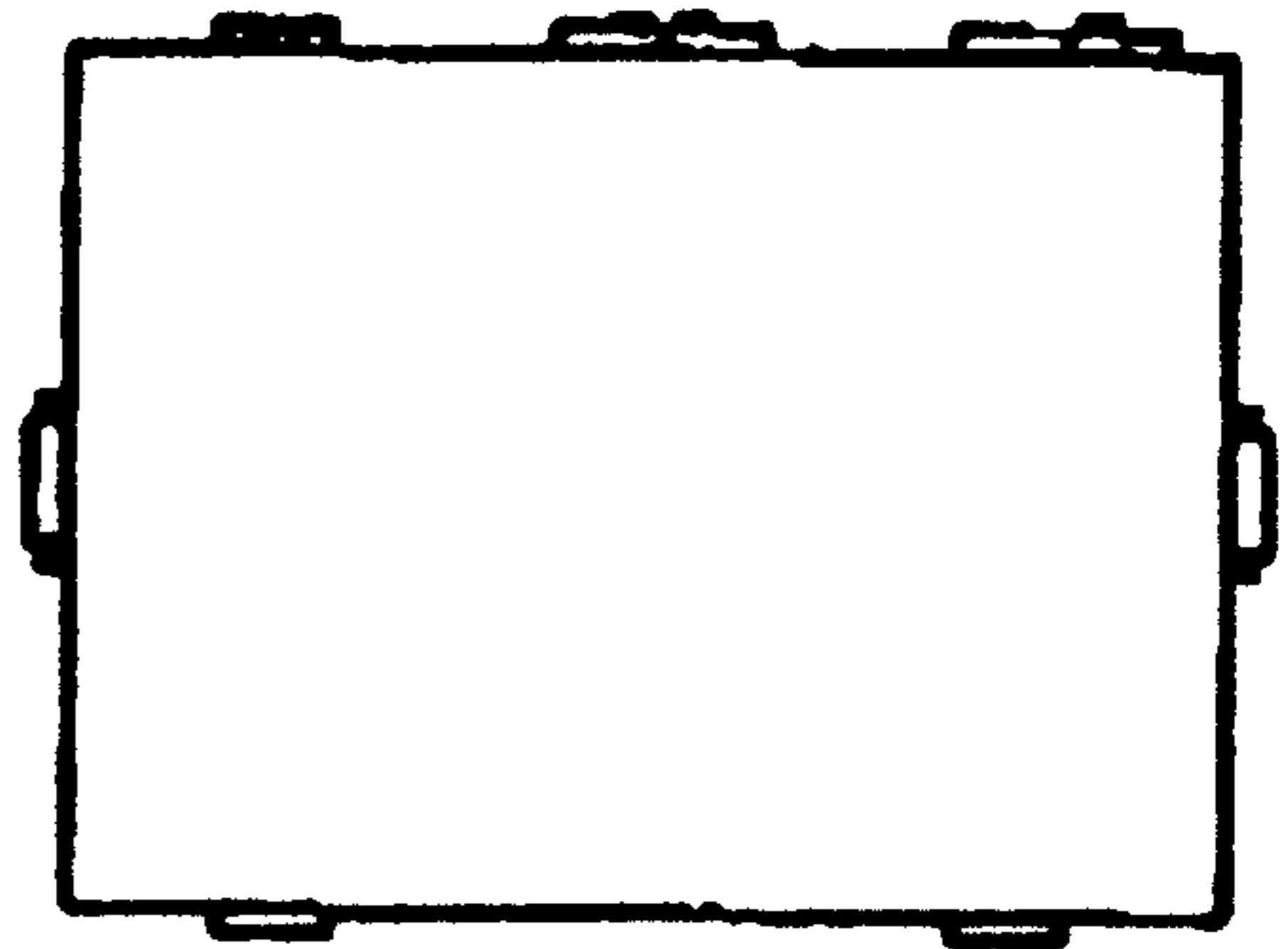


FIG 8