



US00D478777S

(12) **United States Design Patent**
Neff et al.

(10) **Patent No.:** **US D478,777 S**

(45) **Date of Patent:** **** Aug. 26, 2003**

(54) **IGNITER**

(76) Inventors: **Jackie Lee Neff**, 26 Cedar Lawn Cir., Galveston, TX (US) 77551; **Martha Elizabeth Goodman Neff**, 26 Cedar Lawn Cir., Galveston, TX (US) 77551

(**) Term: **14 Years**

(21) Appl. No.: **29/155,257**

(22) Filed: **Feb. 8, 2002**

(51) **LOC (7) Cl.** **07-99**

(52) **U.S. Cl.** **D7/416**

(58) **Field of Search** D7/416, 417; D27/157, D27/159, 141, 154, 131; D23/415; 431/255, 254, 344, 153; 126/406, 409, 25 B; 417/411; 222/153.14

(56) **References Cited**

U.S. PATENT DOCUMENTS

- 3,985,492 A * 10/1976 Nunemaker
- D298,272 S * 10/1988 Nitta D7/416
- D330,784 S * 11/1992 Zuffoletti
- D365,726 S * 1/1996 Hsu D7/416

- D392,154 S * 3/1998 Ferrara, Jr.
- D422,470 S * 4/2000 Mosca et al.
- D425,369 S * 5/2000 Sung D7/416
- 6,076,262 A * 6/2000 Pappas
- D437,526 S * 2/2001 Umemoto D7/416
- D441,605 S * 5/2001 Tubby et al. D7/416
- D448,240 S * 9/2001 Inoue D7/416
- D454,277 S * 3/2002 Chevalier D7/416

* cited by examiner

Primary Examiner—M. N. Pandozzi

(74) *Attorney, Agent, or Firm*—Richard L. Mikesell

(57) **CLAIM**

The ornamental design for an igniter, as shown and described.

DESCRIPTION

FIG. 1 is a top right perspective view of an igniter showing my new design;
FIG. 2 is a top view thereof;
FIG. 3 is a side view thereof;
FIG. 4 is a rear view thereof; and,
FIG. 5 is a front view thereof.

1 Claim, 1 Drawing Sheet

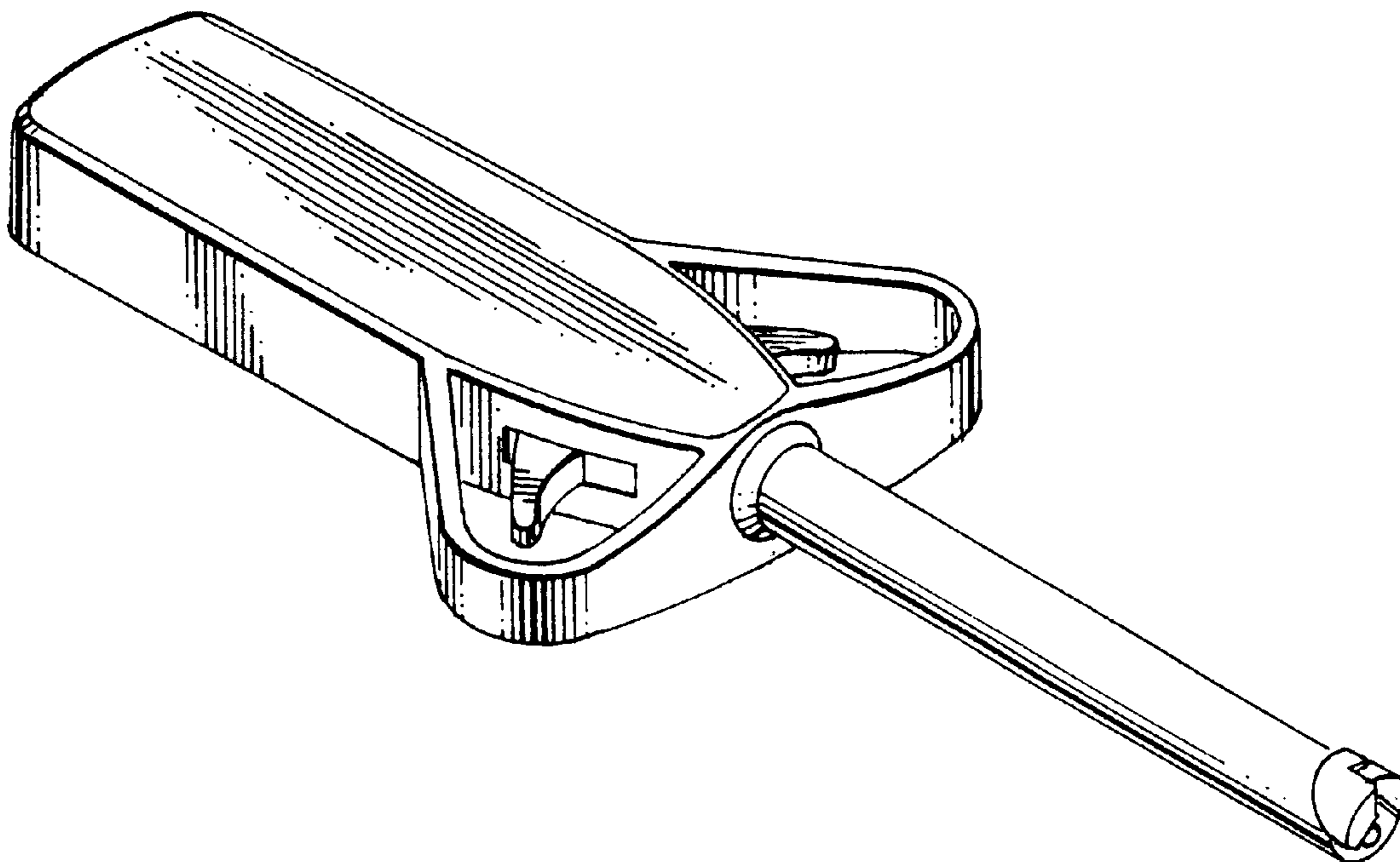


FIG. 1

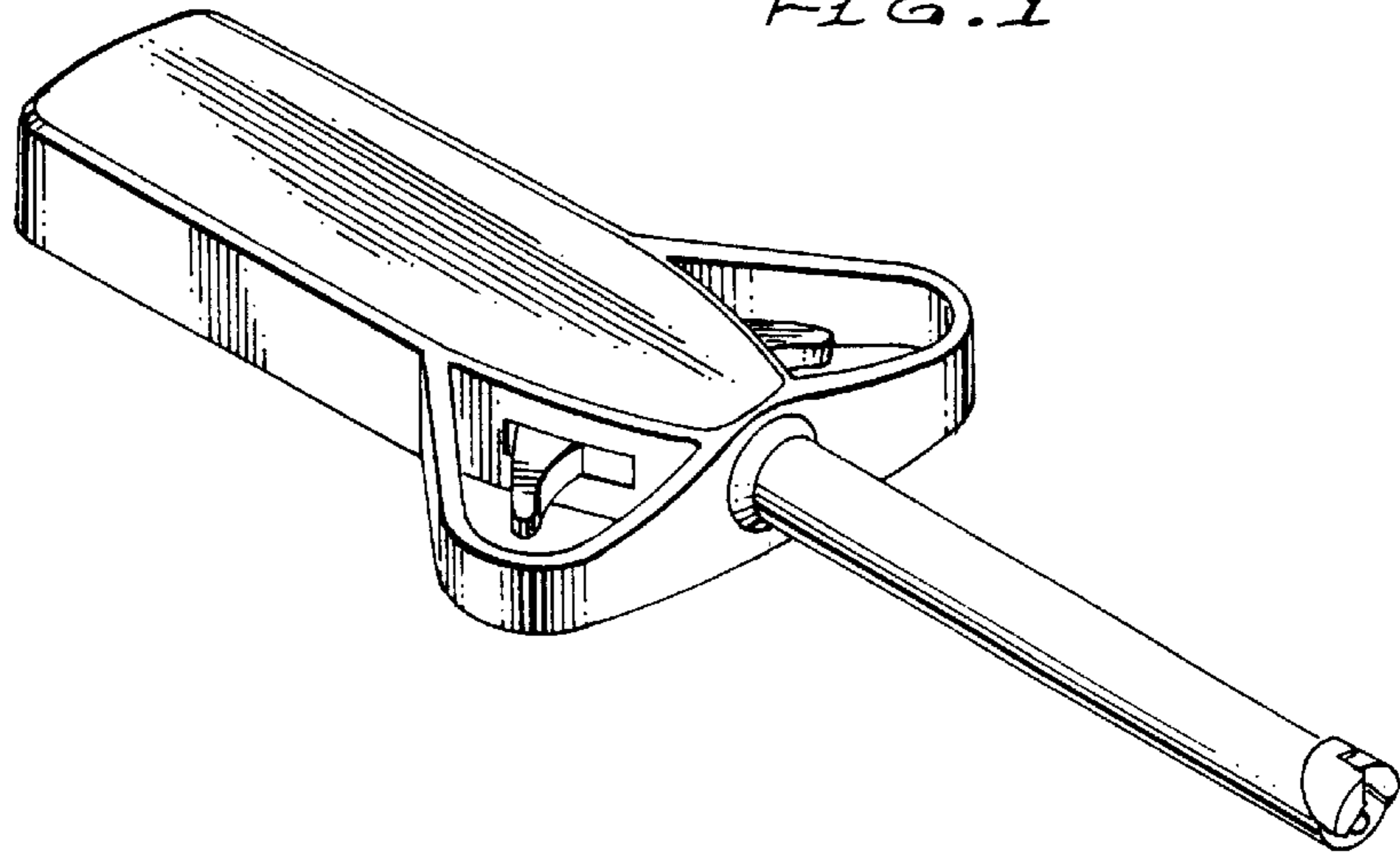


FIG. 2

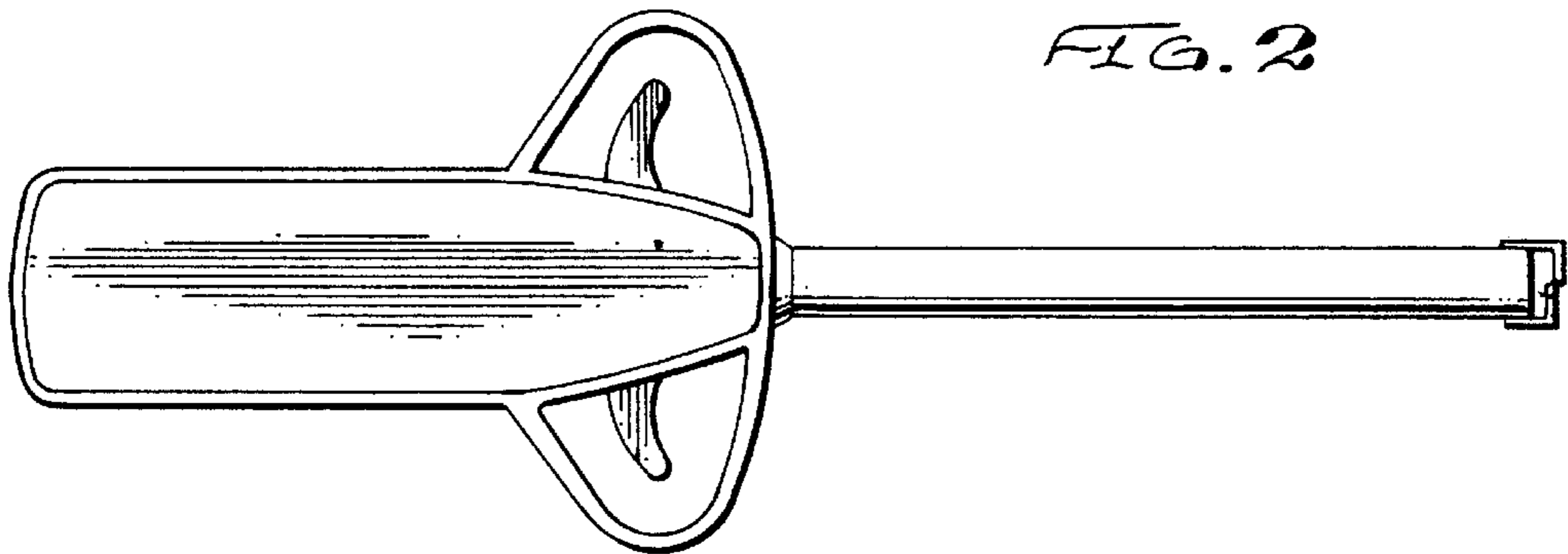


FIG. 3

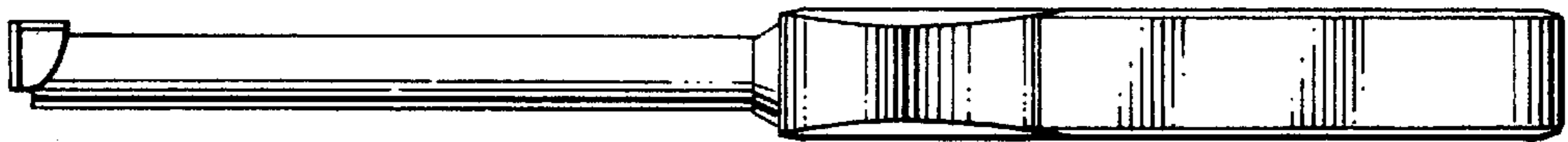


FIG. 4

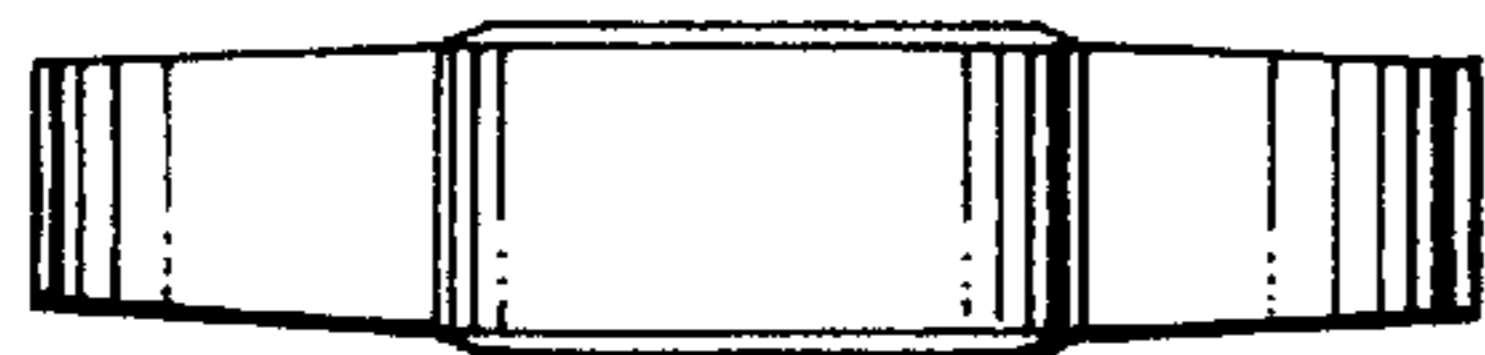


FIG. 5

