



US00D478775S

(12) **United States Design Patent**
Tanji

(10) **Patent No.:** **US D478,775 S**

(45) **Date of Patent:** **** Aug. 26, 2003**

(54) **COVER OF A CONTAINER**

(75) Inventor: **Hiroyuki Tanji**, Miyagi-Ken (JP)

(73) Assignee: **Iris Ohyama, Inc.**, Miyagi-Ken (JP)

(**) Term: **14 Years**

(21) Appl. No.: **29/162,173**

(22) Filed: **Jun. 12, 2002**

(30) **Foreign Application Priority Data**

Jan. 31, 2002 (JP) 2002-002095

(51) **LOC (7) Cl.** **07-07**

(52) **U.S. Cl.** **D7/392.1**

(58) **Field of Search** D7/538-542, 601,
D7/612-615, 629, 391-392.1; D9/424-432,
434, 443, 452; 220/780-795, 796-806,
675

(56) **References Cited**

U.S. PATENT DOCUMENTS

4,819,824 A * 4/1989 Longbottom et al. 220/783
D350,880 S * 9/1994 VanValkenburg et al. D7/629

D367,609 S * 3/1996 Frank et al. D9/425
D375,654 S * 11/1996 Ferris D7/392.1
D388,957 S * 1/1998 Wolff D7/392.1

* cited by examiner

Primary Examiner—Terry A. Wallace

(74) *Attorney, Agent, or Firm*—Sughrue Mion, PLLC

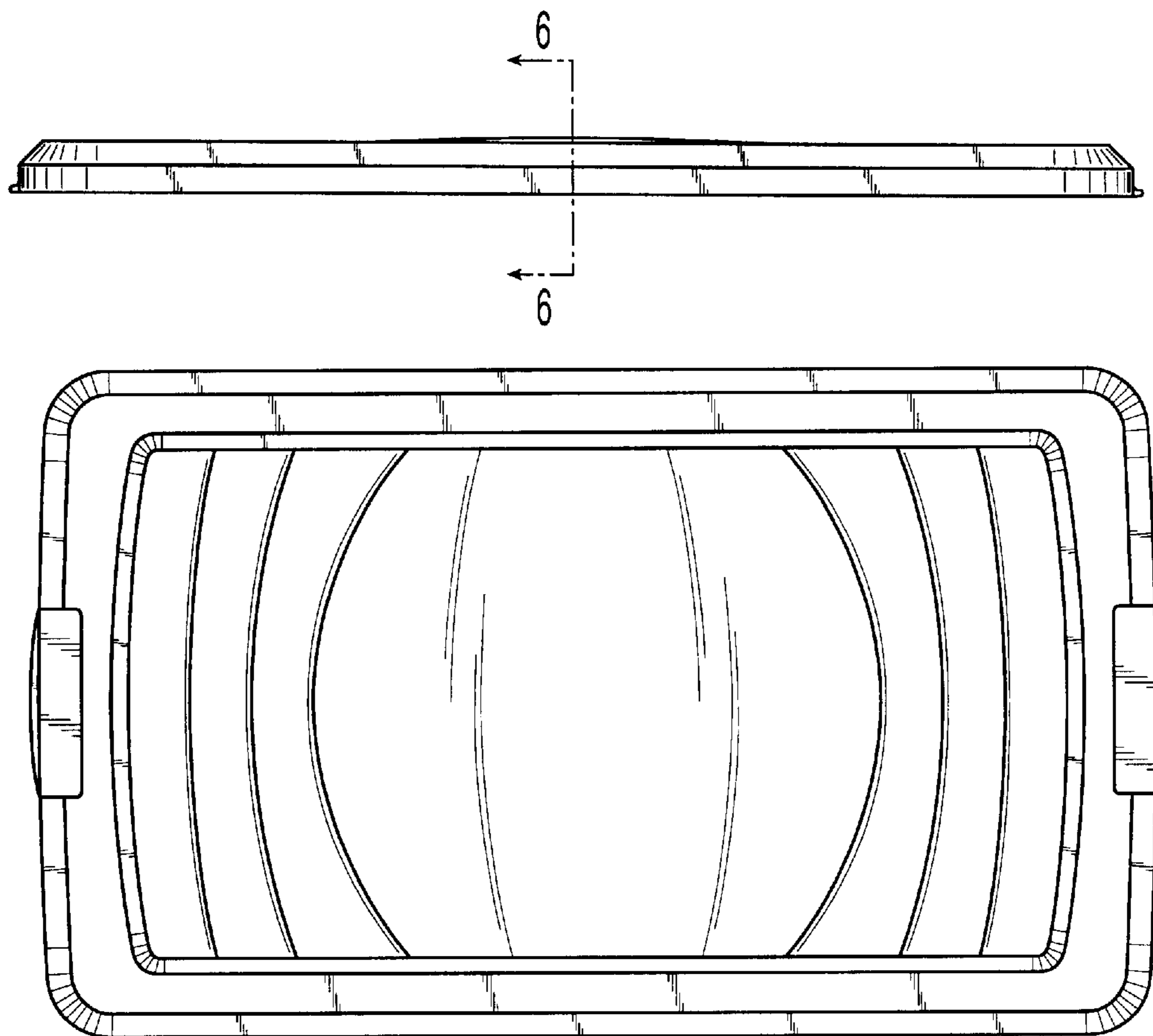
(57) **CLAIM**

The ornamental design for a cover of a container, as shown and described.

DESCRIPTION

FIG. 1 is a front elevation view of a cover of a container showing my new design, the rear view being a mirror image; FIG. 2 is a left side elevation view thereof, the right side view being a mirror image; FIG. 3 is a top plan view thereof; FIG. 4 is a bottom plan view thereof; FIG. 5 is a side elevation view thereof; FIG. 6 is a cross-section view taken along line 6—6 of FIG. 1; and, FIG. 7 is a cross-section view taken along line 7—7 of FIG. 5.

1 Claim, 7 Drawing Sheets



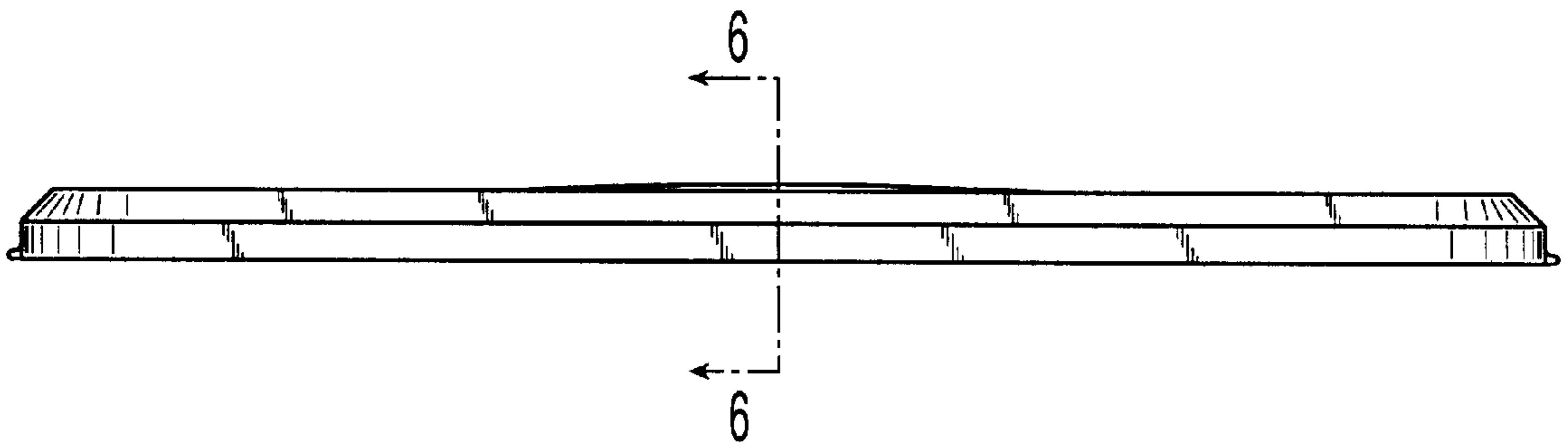


Fig. 1

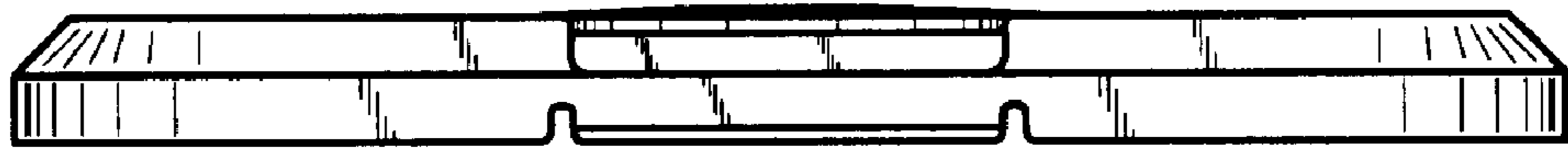


Fig. 2

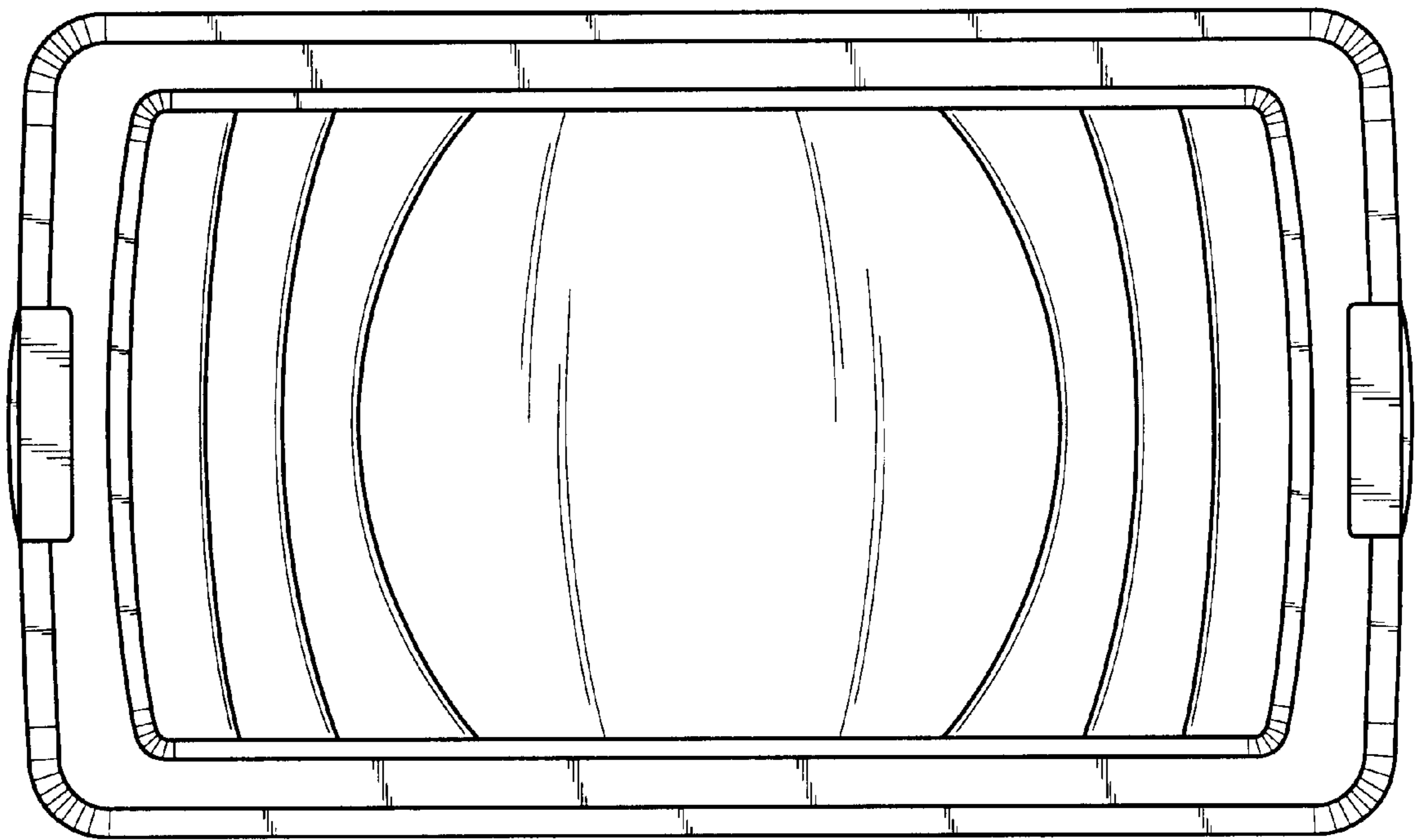


Fig. 3

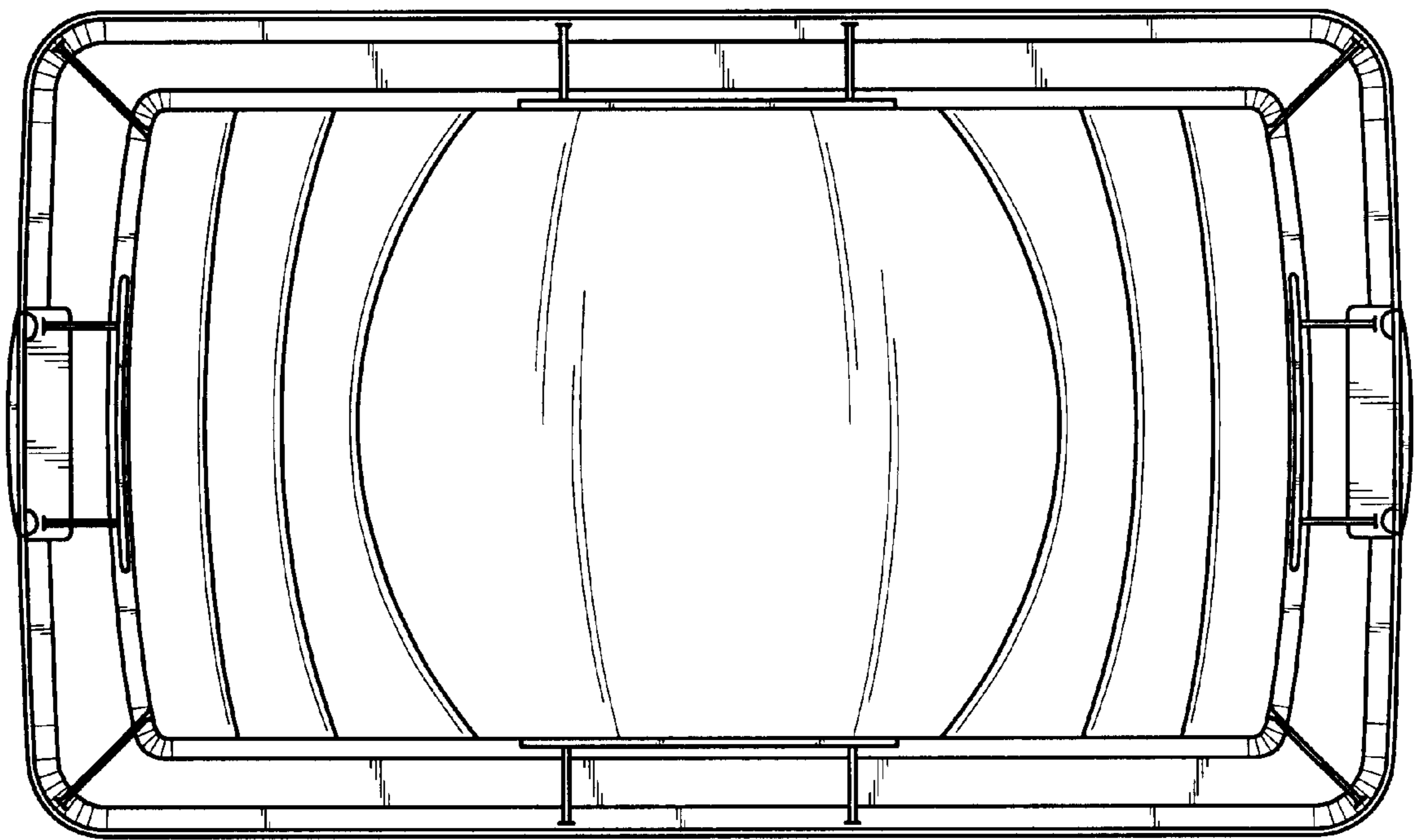


Fig. 4

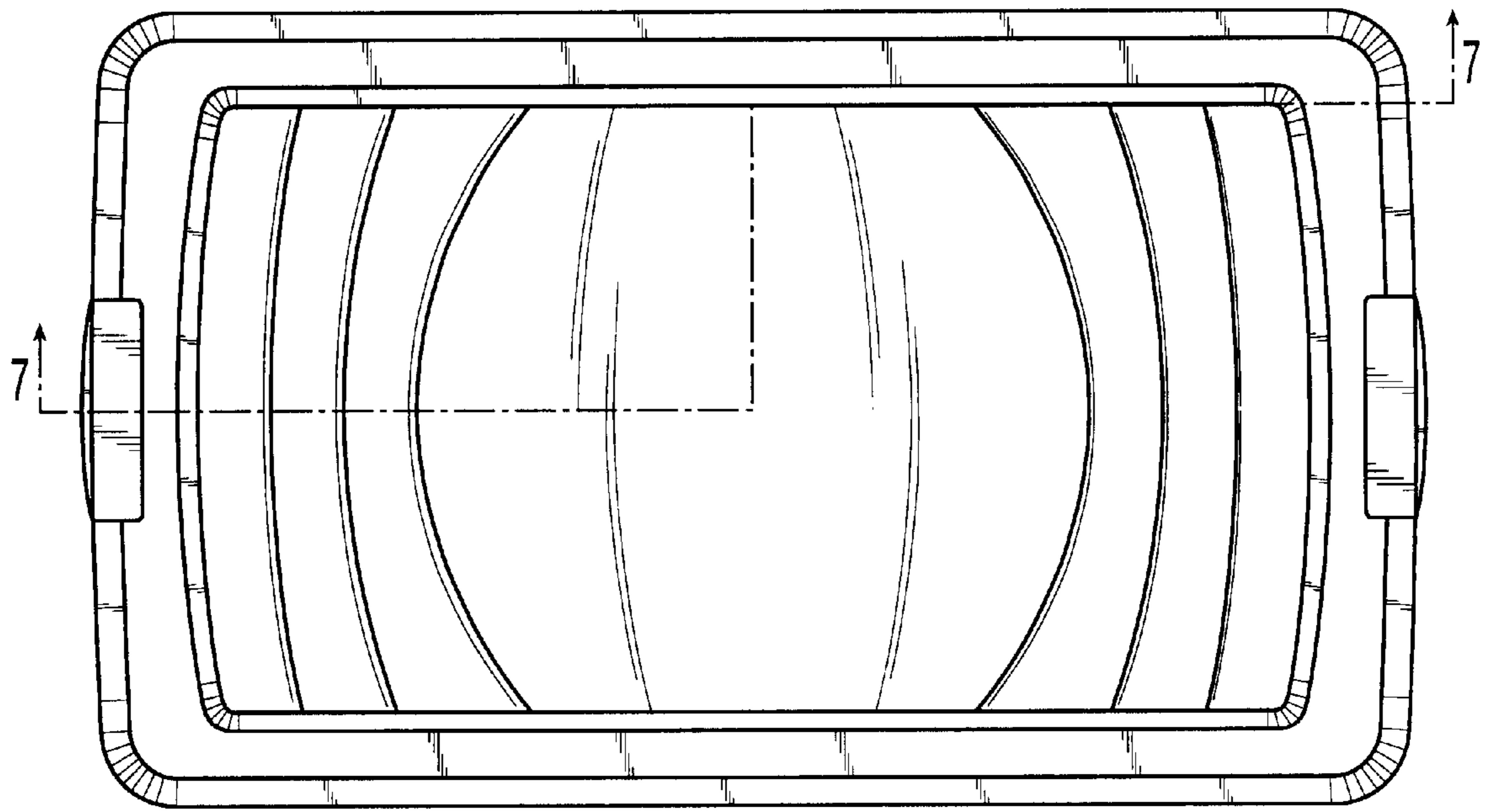


Fig. 5

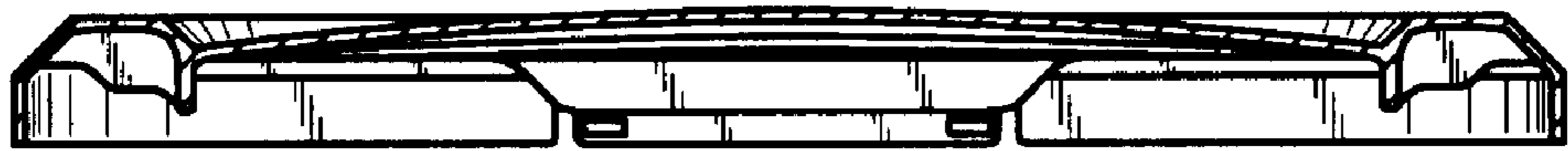


Fig. 6

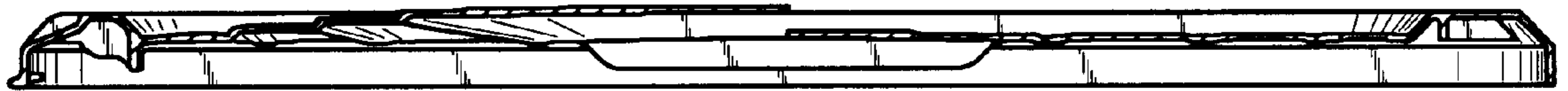


Fig. 7