



US00D478774S

(12) **United States Design Patent**
Wilk et al.

(10) **Patent No.:** **US D478,774 S**

(45) **Date of Patent:** **** Aug. 26, 2003**

(54) **FOOD PRESERVATION FILTER**

(75) Inventors: **Robert Wilk**, Sierra Village, CA (US);
Ross Heil, Walnut Creek, CA (US)

(73) Assignee: **Tilia International, Inc.**, San Francisco, CA (US)

(**) Term: **14 Years**

(21) Appl. No.: **29/164,799**

(22) Filed: **Jul. 31, 2002**

(51) **LOC (7) Cl.** **07-01**

(52) **U.S. Cl.** **D7/368**

(58) **Field of Search** D7/368, 387, 397,
D7/300, 312-322, 538-542, 629; D23/209;
220/254.7, 254.3, 367.1, 834, 840, 281,
662, 675, 780-788, 792-799, 805

(56) **References Cited**

U.S. PATENT DOCUMENTS

4,210,255 A * 7/1980 Pan 220/367.1
4,412,630 A 11/1983 Daenen
5,363,978 A 11/1994 Molo
D355,814 S 2/1995 VanValkenburg et al.

5,390,809 A * 2/1995 Lin 220/367.1

D365,251 S 12/1995 Lo

D389,012 S 1/1998 Miller

5,762,228 A * 6/1998 Morgan et al. 220/367.1

6,099,728 A 8/2000 Bairischer

* cited by examiner

Primary Examiner—Terry A. Wallace

(74) *Attorney, Agent, or Firm*—Fliesler Dubb Meyer & Lovejoy LLP

(57) **CLAIM**

The ornamental design for a food preservation filter, as shown and described.

DESCRIPTION

FIG. 1 is a top perspective view of the food preservation filter;

FIG. 2 is a top view of the food preservation filter;

FIG. 3 is a front view of the food preservation filter;

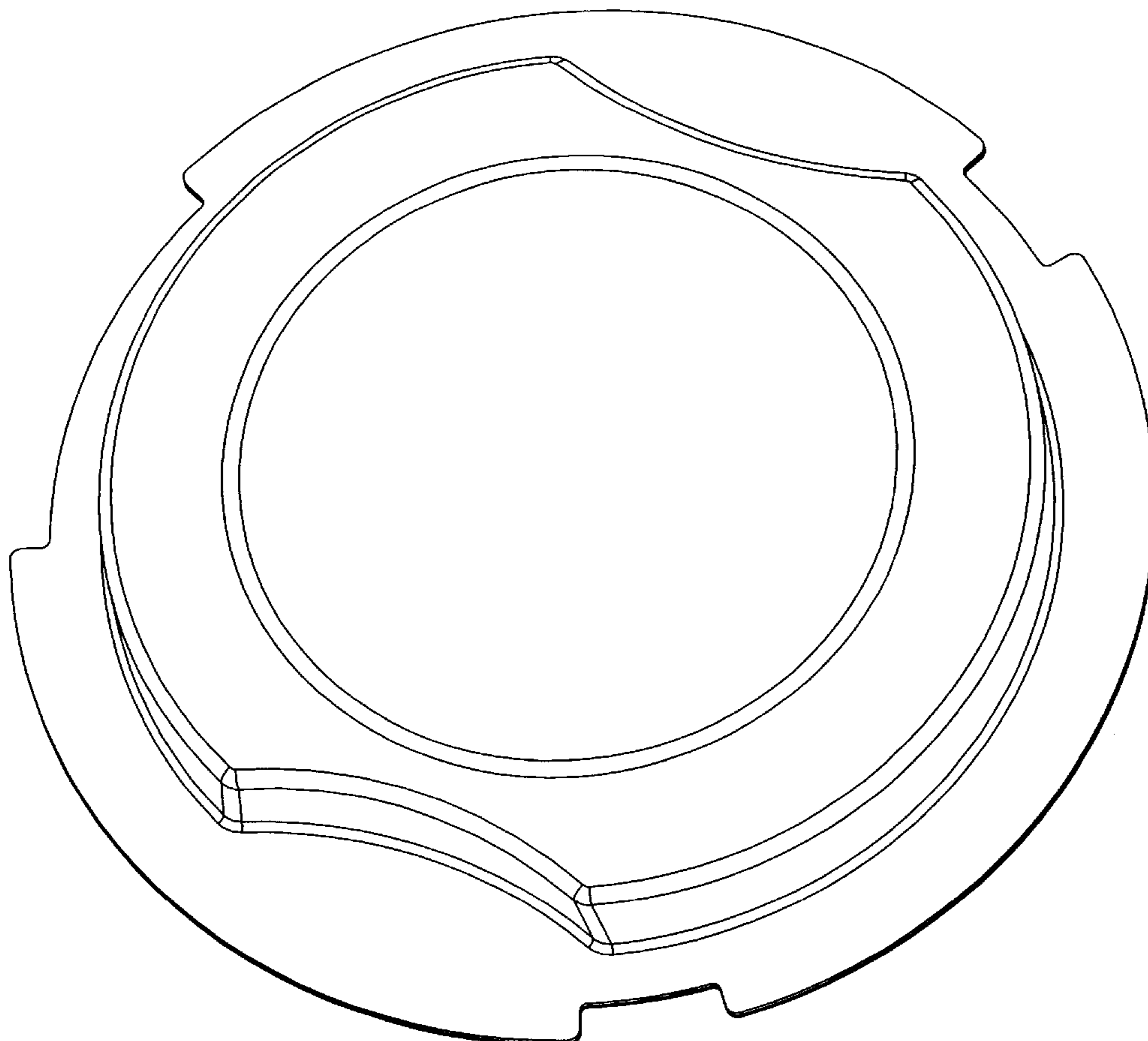
FIG. 4 is a back view of the food preservation filter;

FIG. 5 is a bottom view of the food preservation filter;

FIG. 6 is a right side view of the food preservation filter; and,

FIG. 7 is a left side view of the food preservation filter.

1 Claim, 3 Drawing Sheets



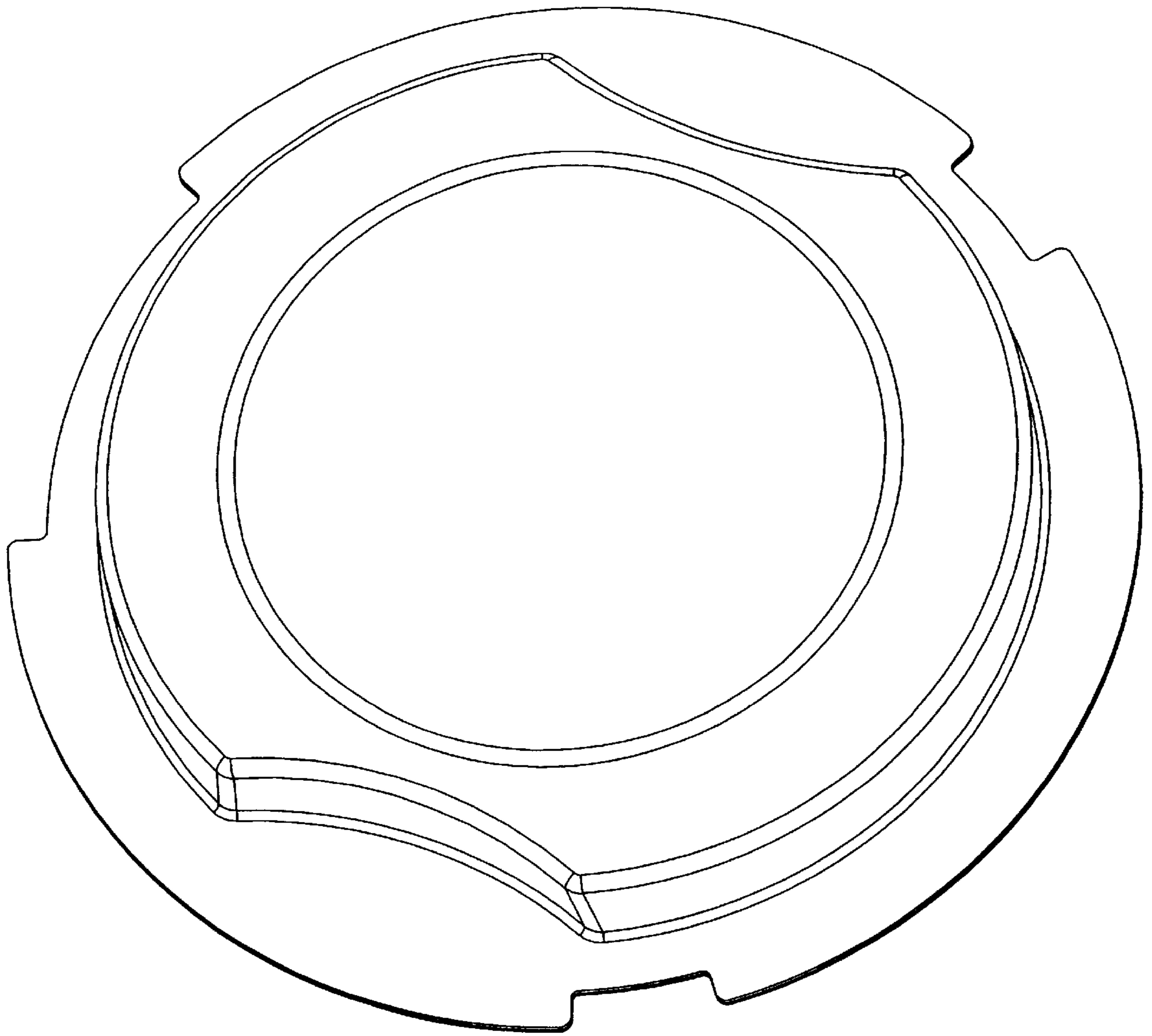


FIG. - 1

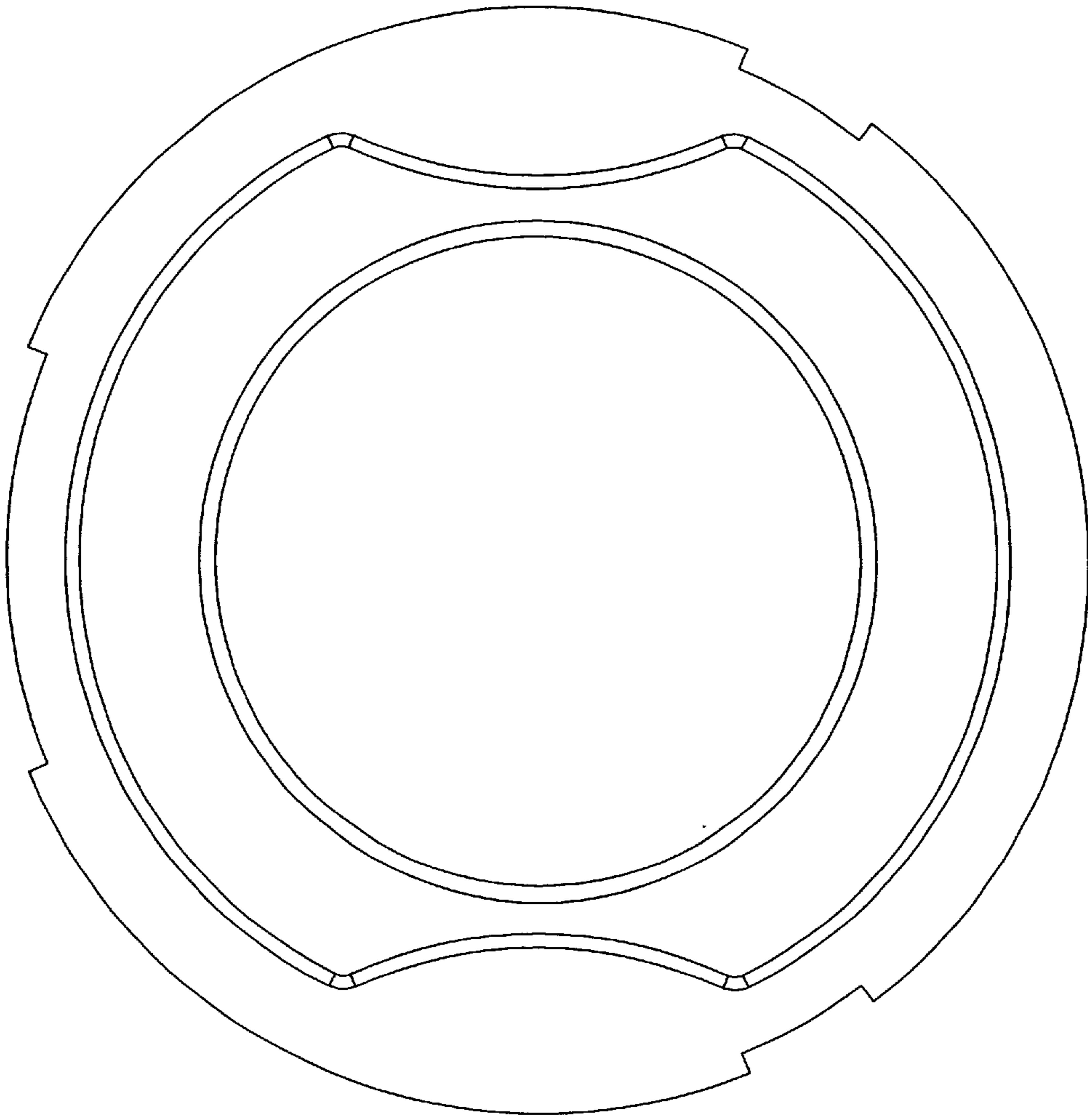


FIG. - 2

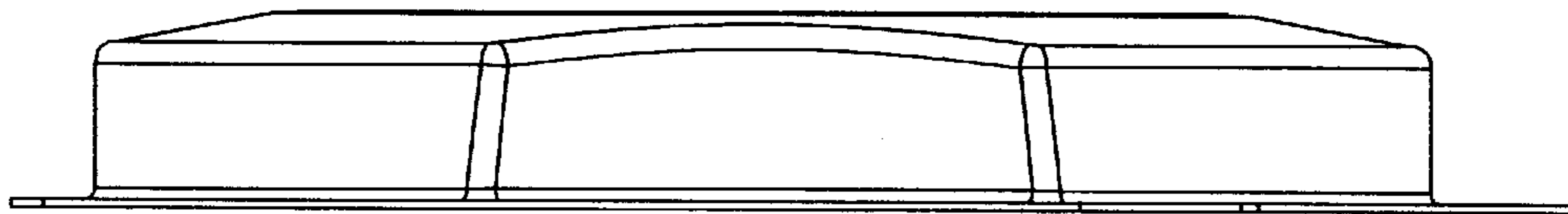


FIG. - 3

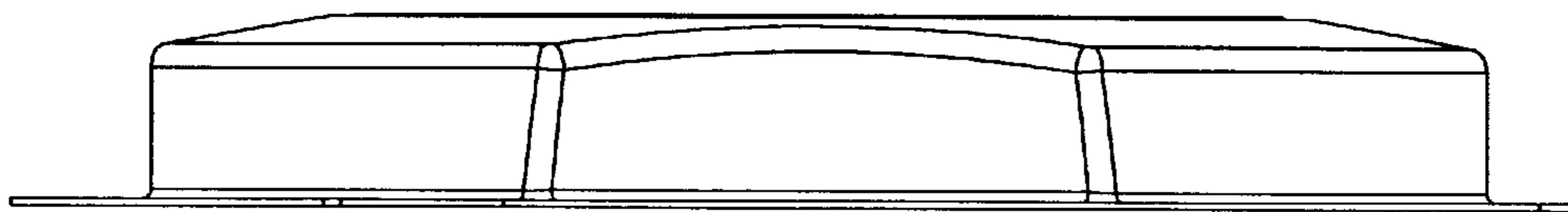


FIG. - 4

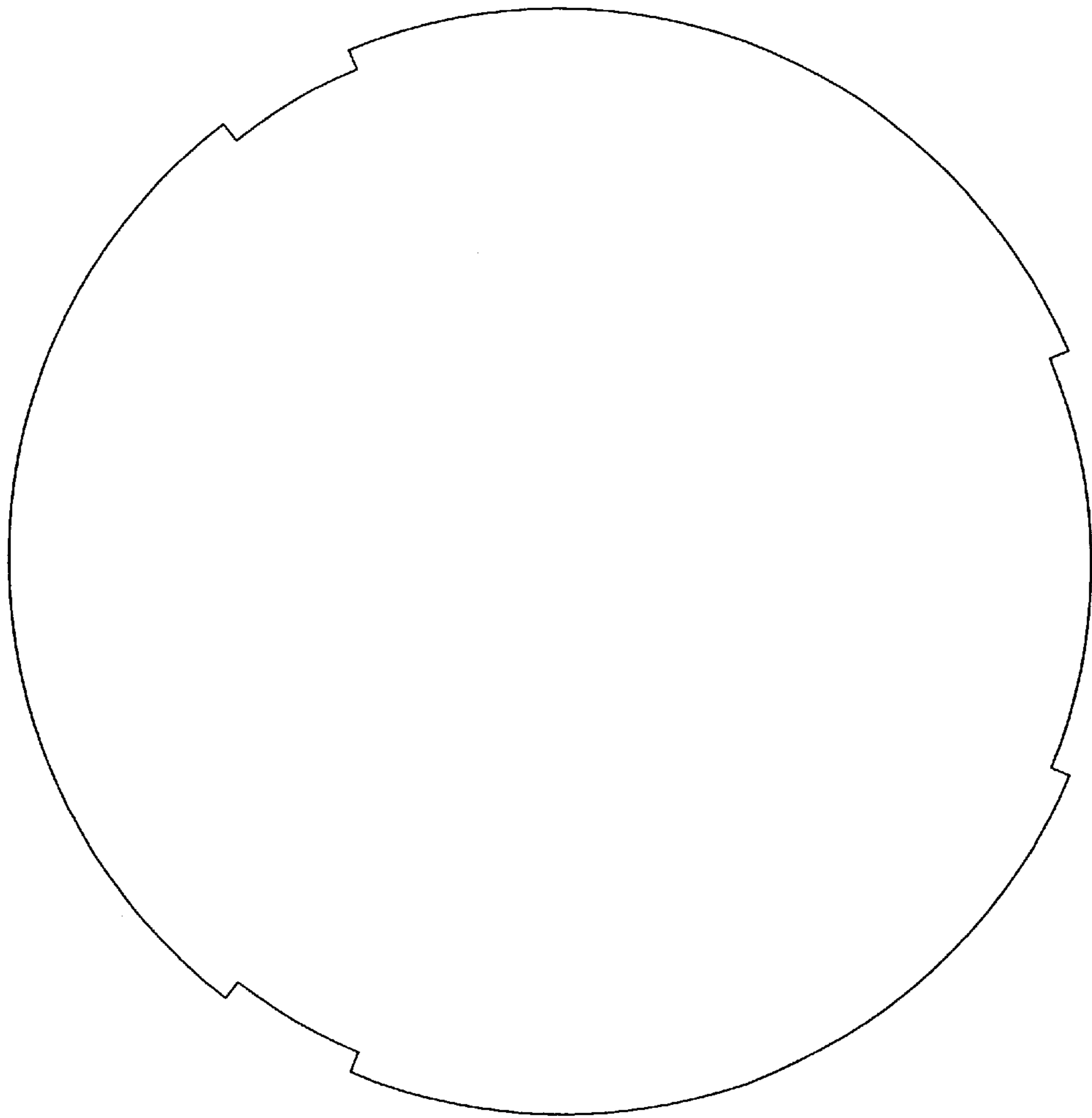


FIG. - 5

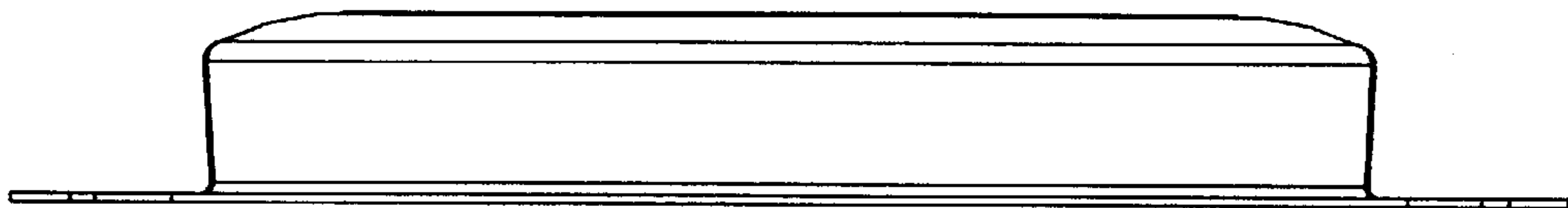


FIG. - 6

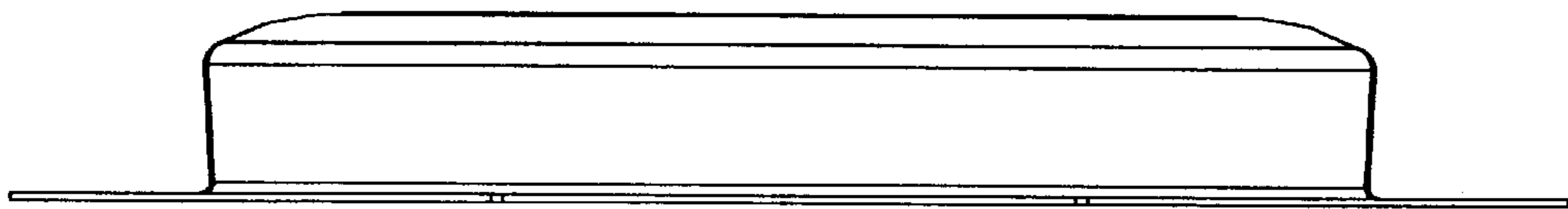


FIG. - 7