



US00D478772S

(12) **United States Design Patent**
Chung

(10) **Patent No.:** **US D478,772 S**

(45) **Date of Patent:** **** Aug. 26, 2003**

(54) **ROASTER**

(75) Inventor: **Kiosky Chung**, Taiping (TW)

(73) Assignee: **Lucas Pai**, Taichung (TW)

(**) Term: **14 Years**

(21) Appl. No.: **29/168,671**

(22) Filed: **Oct. 8, 2002**

(51) **LOC (7) Cl.** **07-02**

(52) **U.S. Cl.** **D7/337**

(58) **Field of Search** D7/332-337, 402-404;
126/25 R, 25 A, 25 AA, 9 R, 9 A, 9 B,
38, 40, 41 R, 26, 29-30; 99/419, 421 R,
421 H, 421 HV

(56) **References Cited**

U.S. PATENT DOCUMENTS

D282,619 S * 2/1986 Fitzgerald et al. D7/332
4,627,408 A * 12/1986 Schlosser 126/41 R
D302,641 S * 8/1989 Elmburg D7/332
D461,360 S * 8/2002 Bossler D7/337

D464,227 S * 10/2002 Eisinger et al. D7/332
D464,228 S * 10/2002 Hsu D7/337
D464,843 S * 10/2002 Schulte et al. D7/337
D464,844 S * 10/2002 Pai D7/337
D468,151 S * 1/2003 Yeh et al. D7/337
D473,415 S * 4/2003 Yeh D7/337

* cited by examiner

Primary Examiner—Ruth McInroy

(74) *Attorney, Agent, or Firm*—Rosenberg, Klein & Lee

(57) **CLAIM**

The ornamental design for a roaster, as shown.

DESCRIPTION

FIG. 1 is a perspective view of a roaster showing my new design;

FIG. 2 is a front elevational view thereof;

FIG. 3 is a rear elevational view thereof;

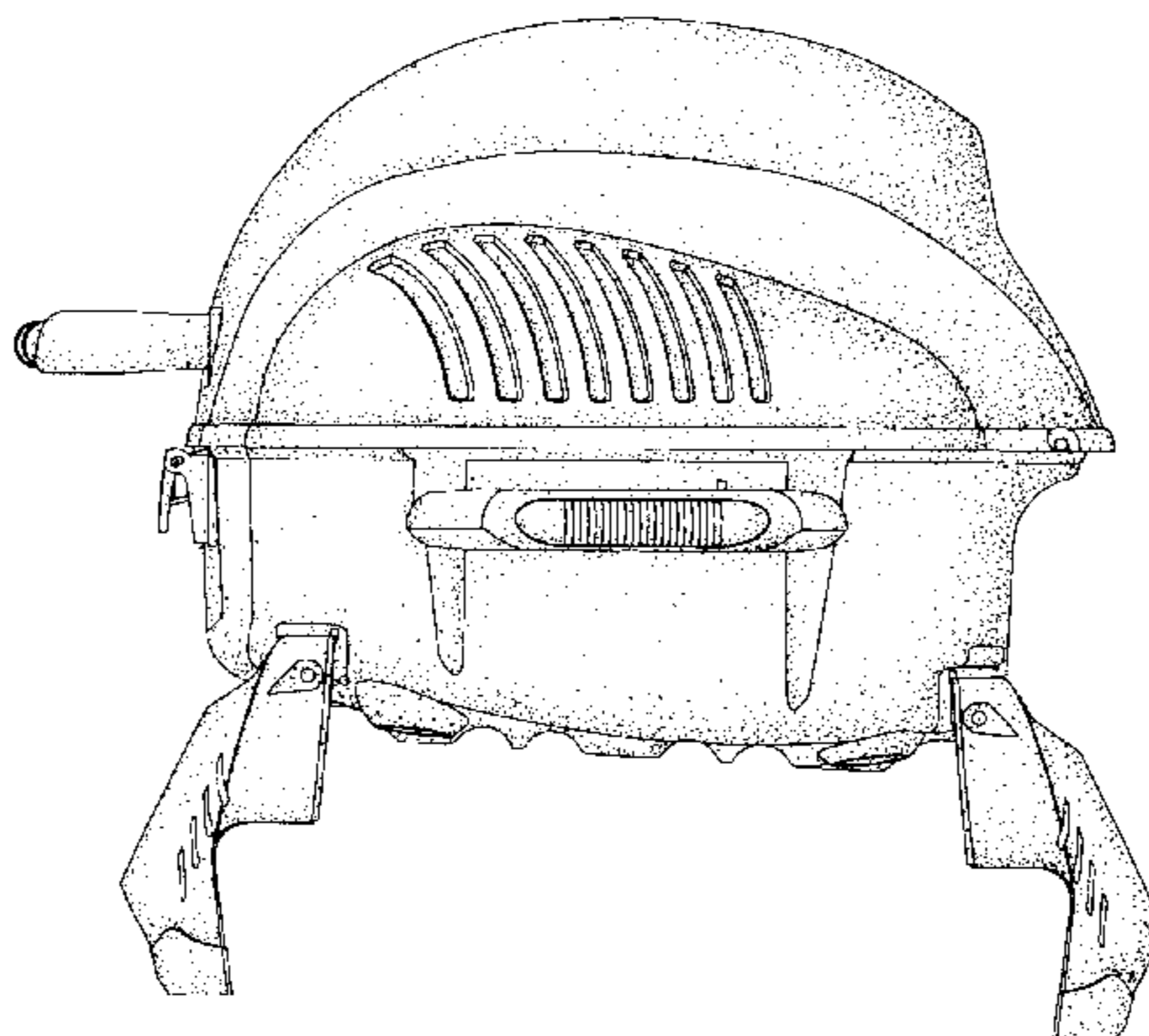
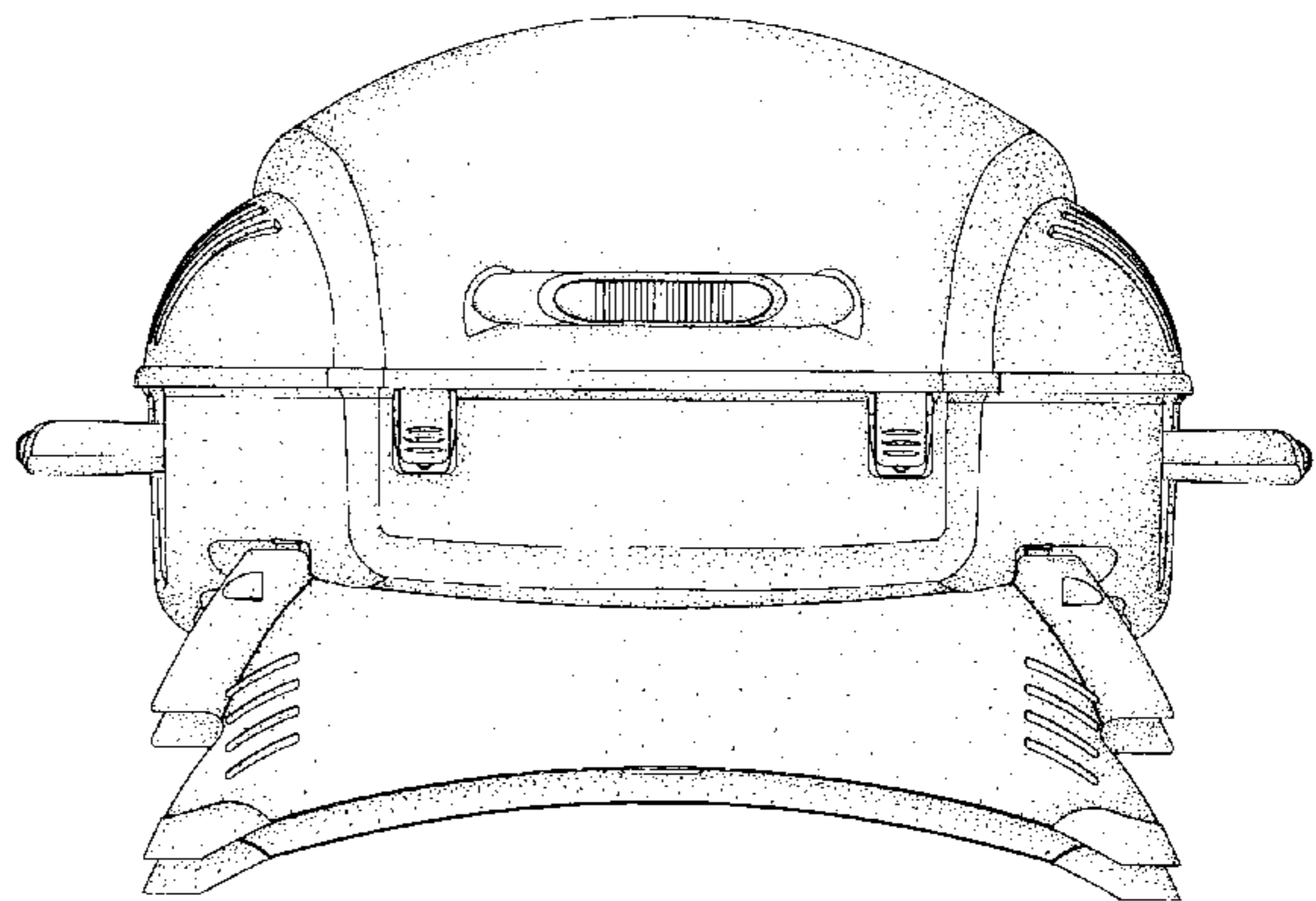
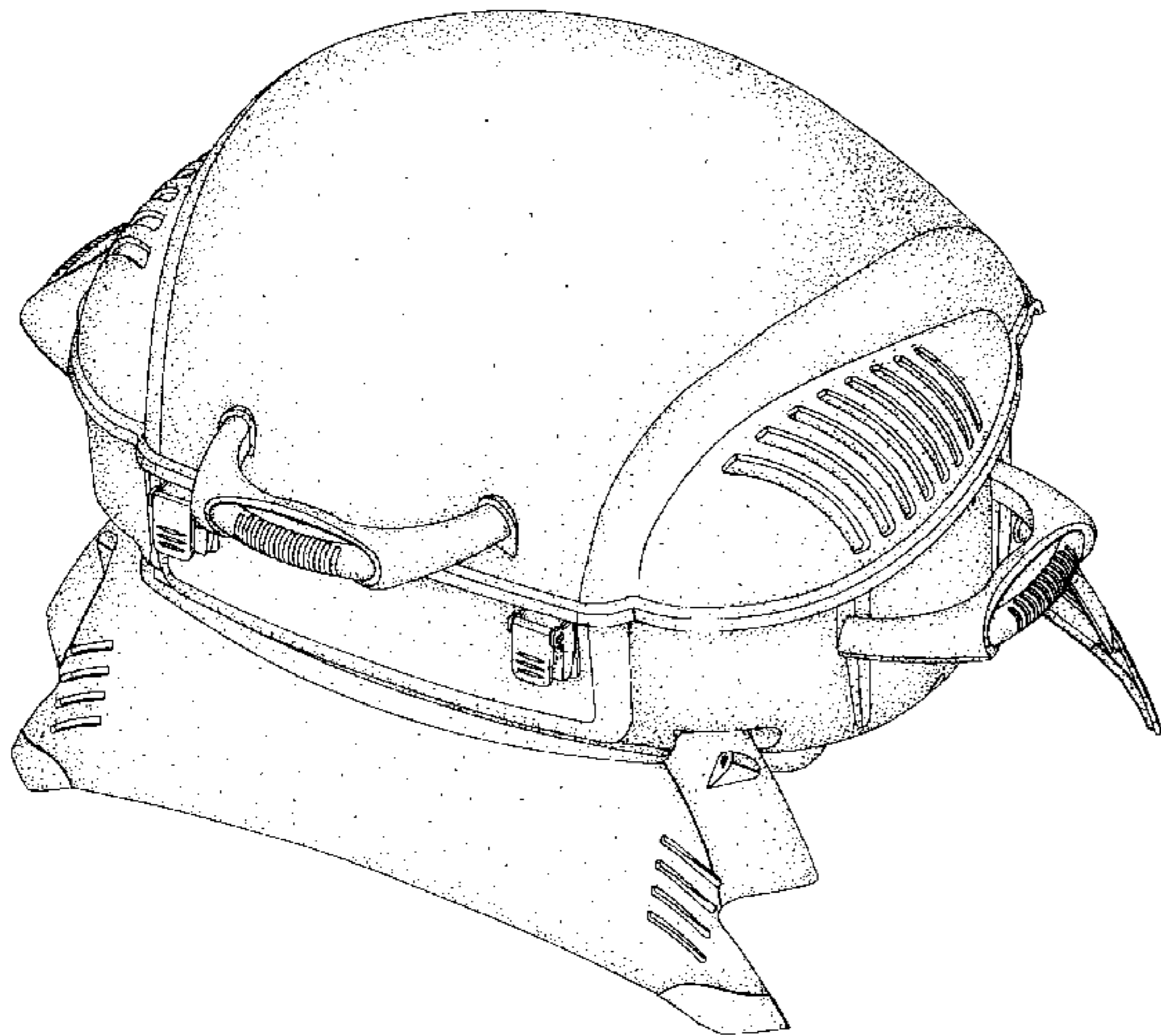
FIG. 4 is a left side view thereof;

FIG. 5 is a right side view thereof;

FIG. 6 is a top plain view thereof; and,

FIG. 7 is a bottom plain view thereof.

1 Claim, 6 Drawing Sheets



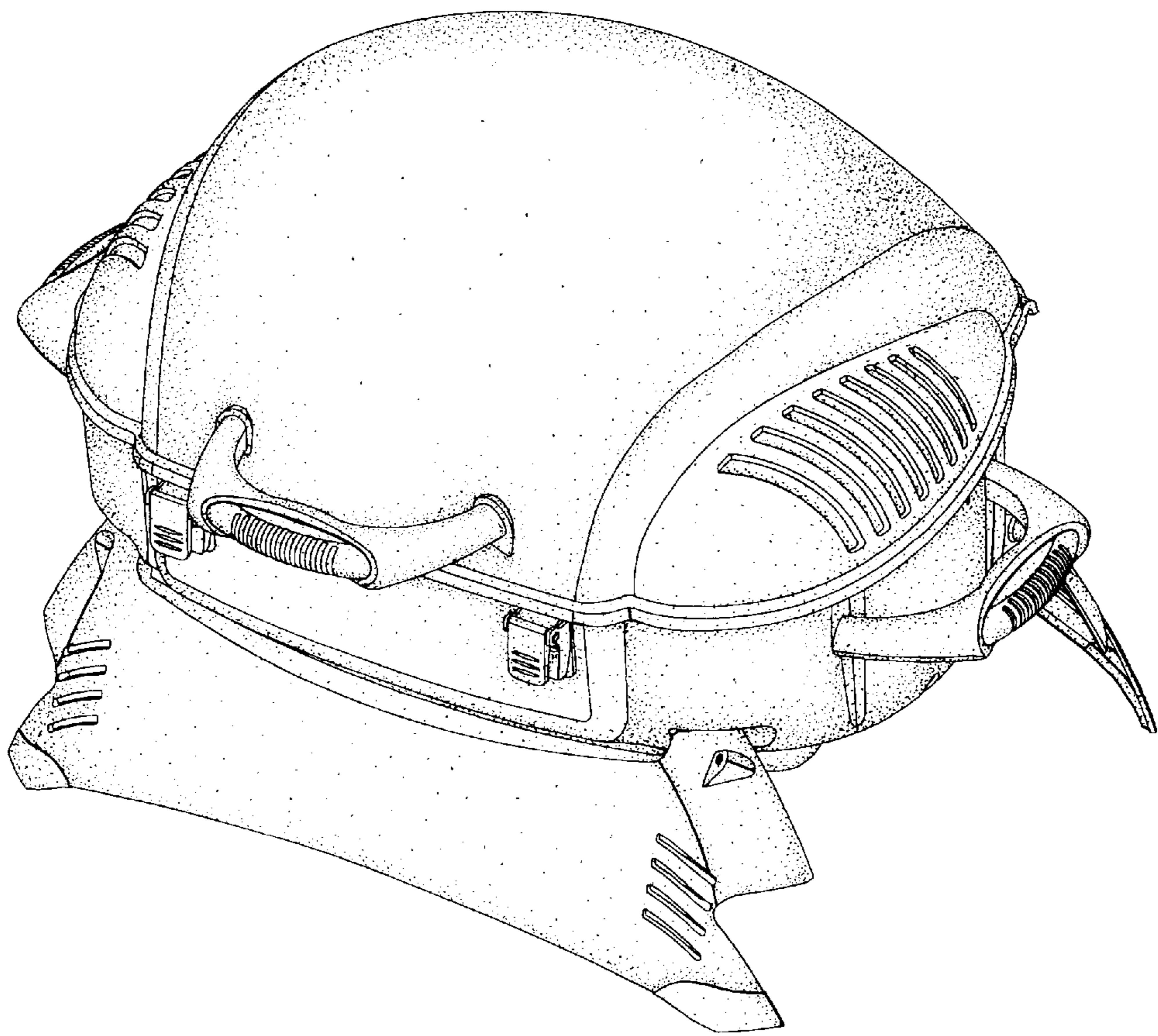


FIG. 1

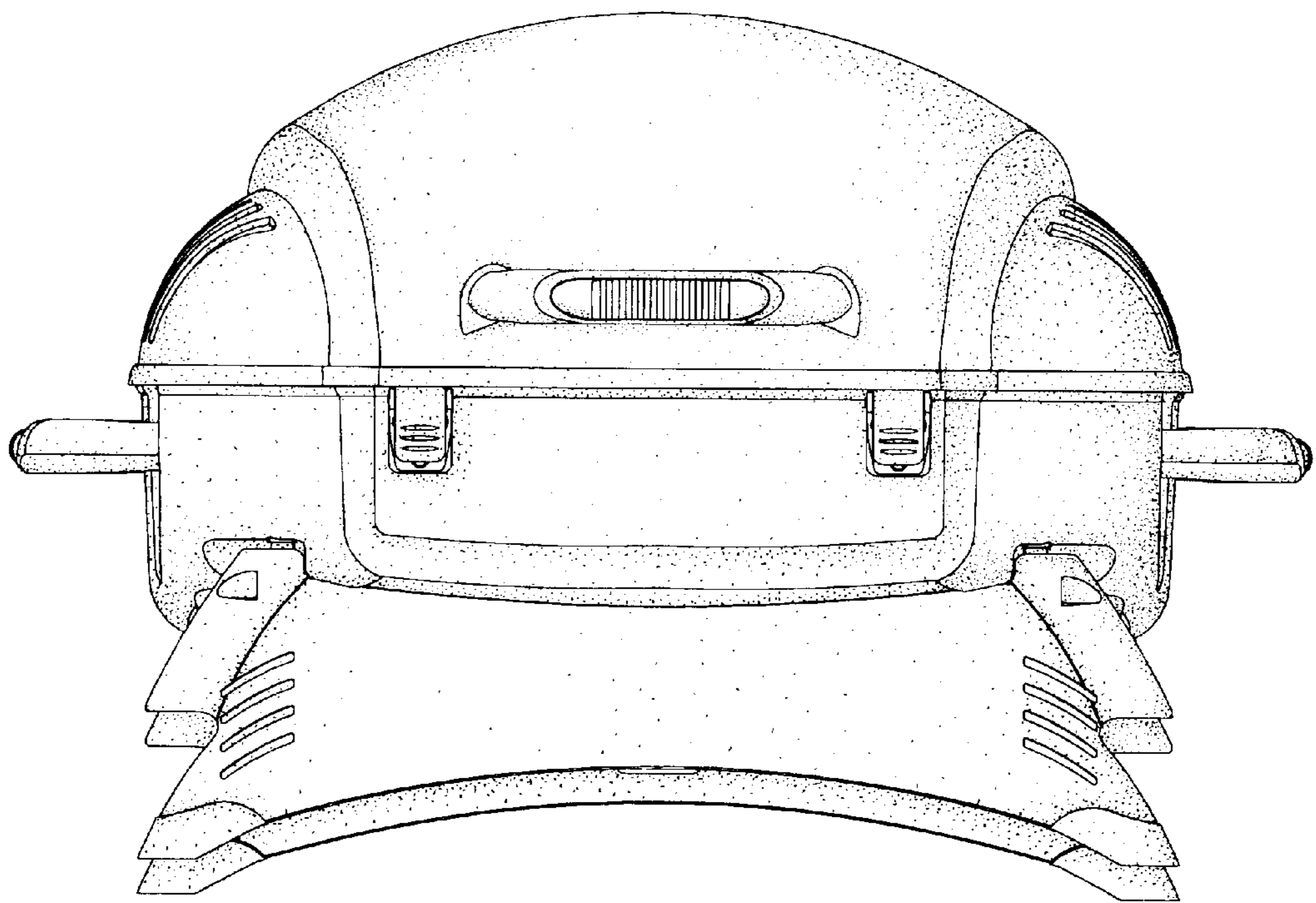


FIG. 2

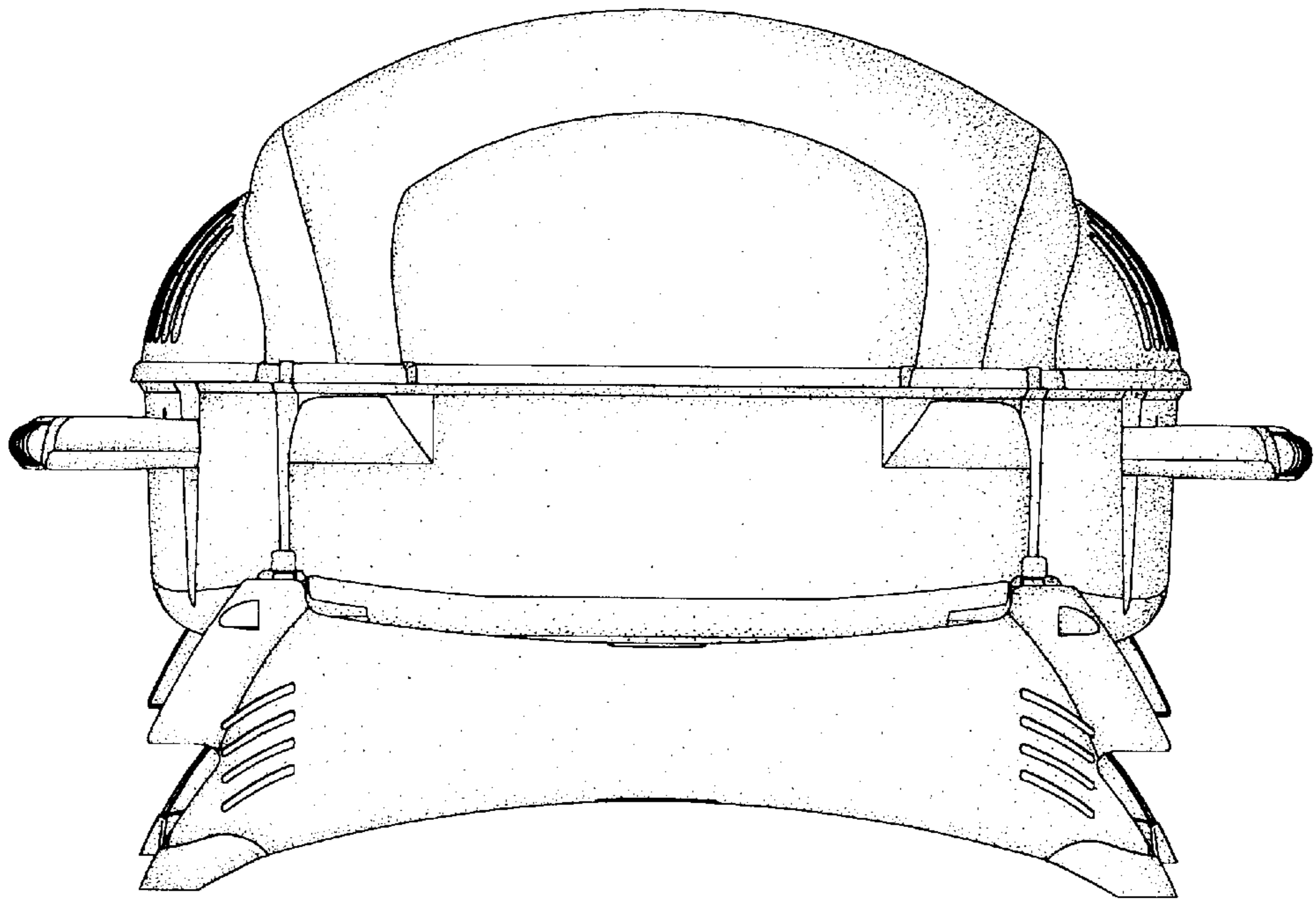


FIG. 3

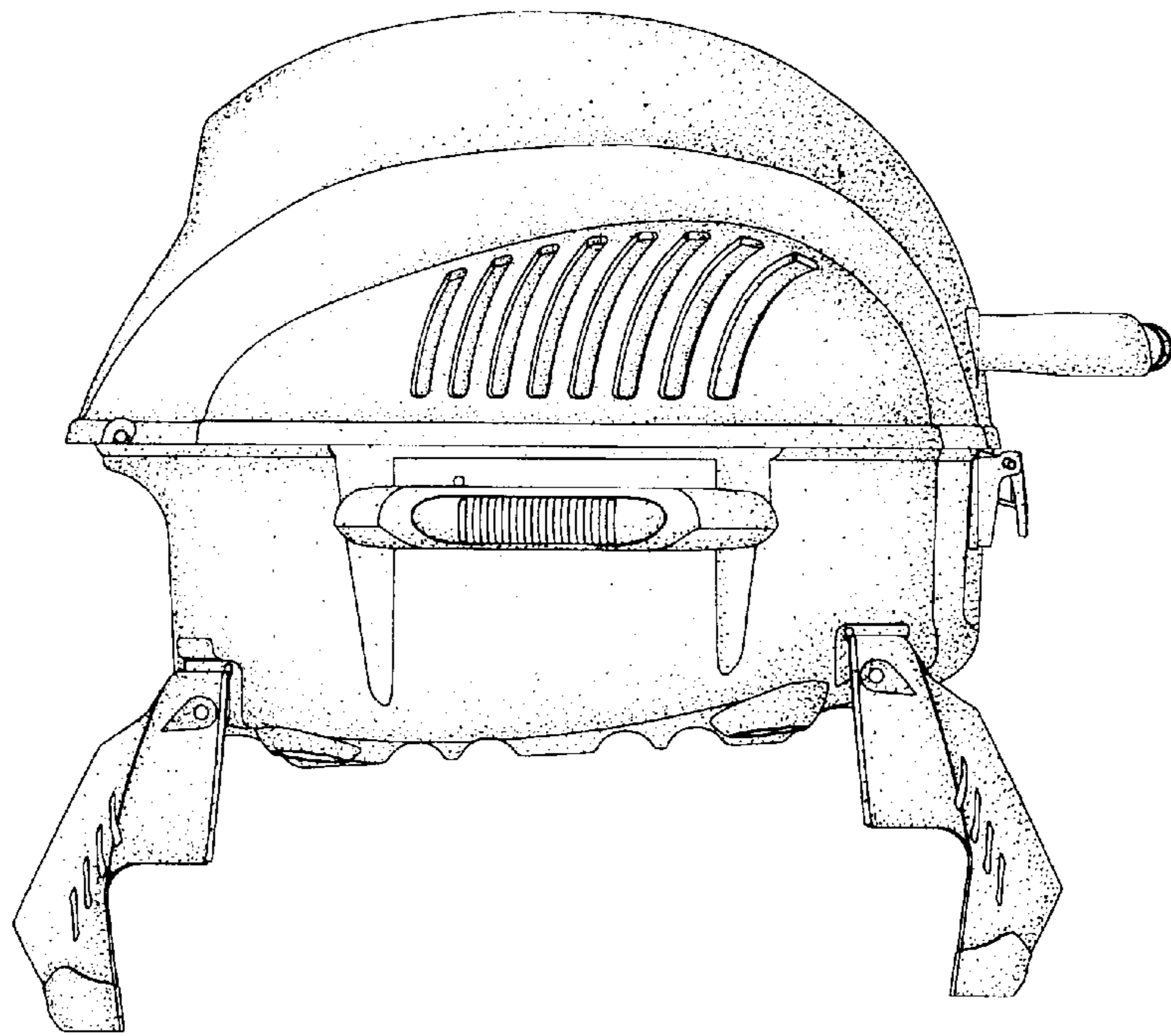


FIG. 4

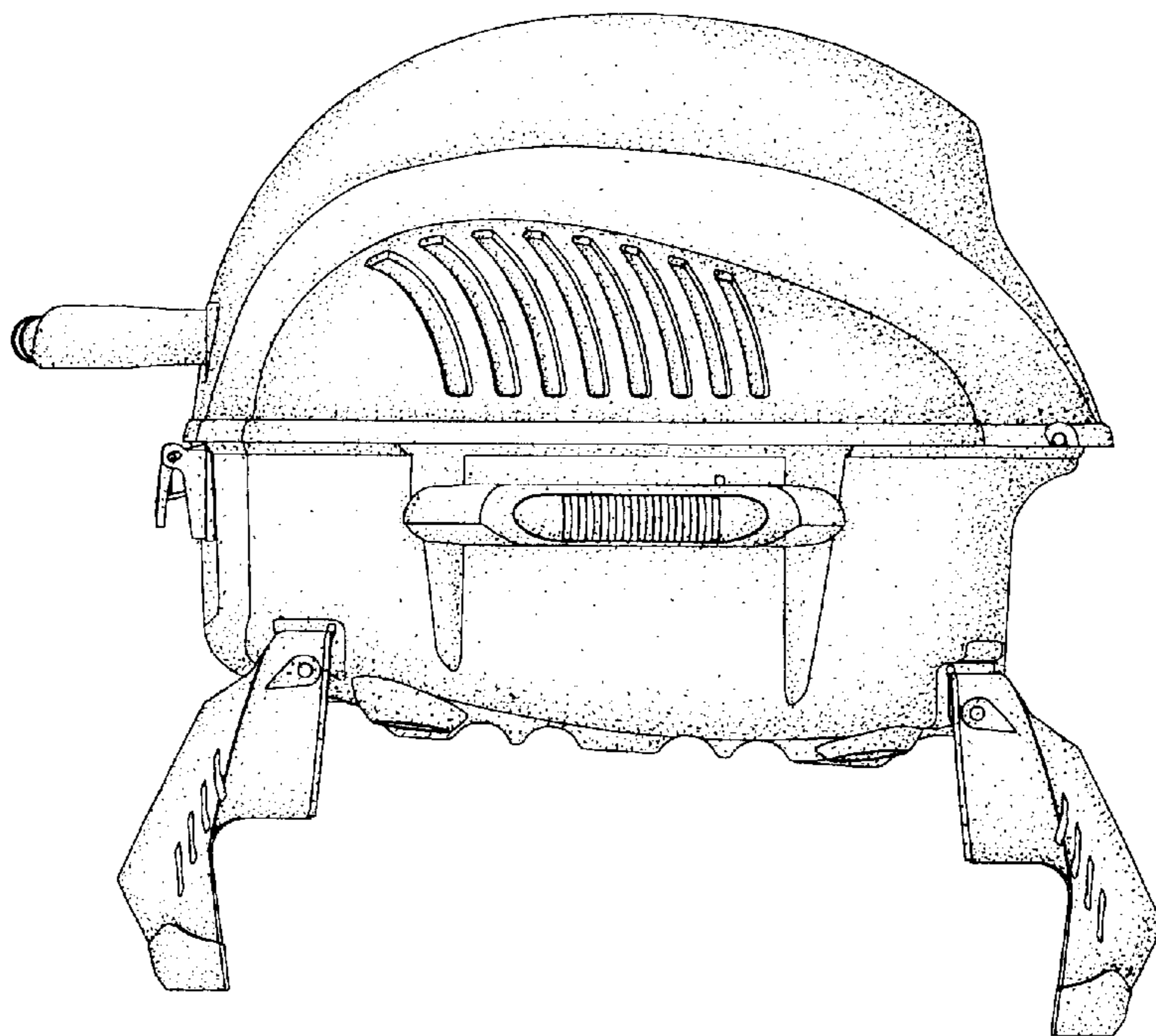


FIG. 5

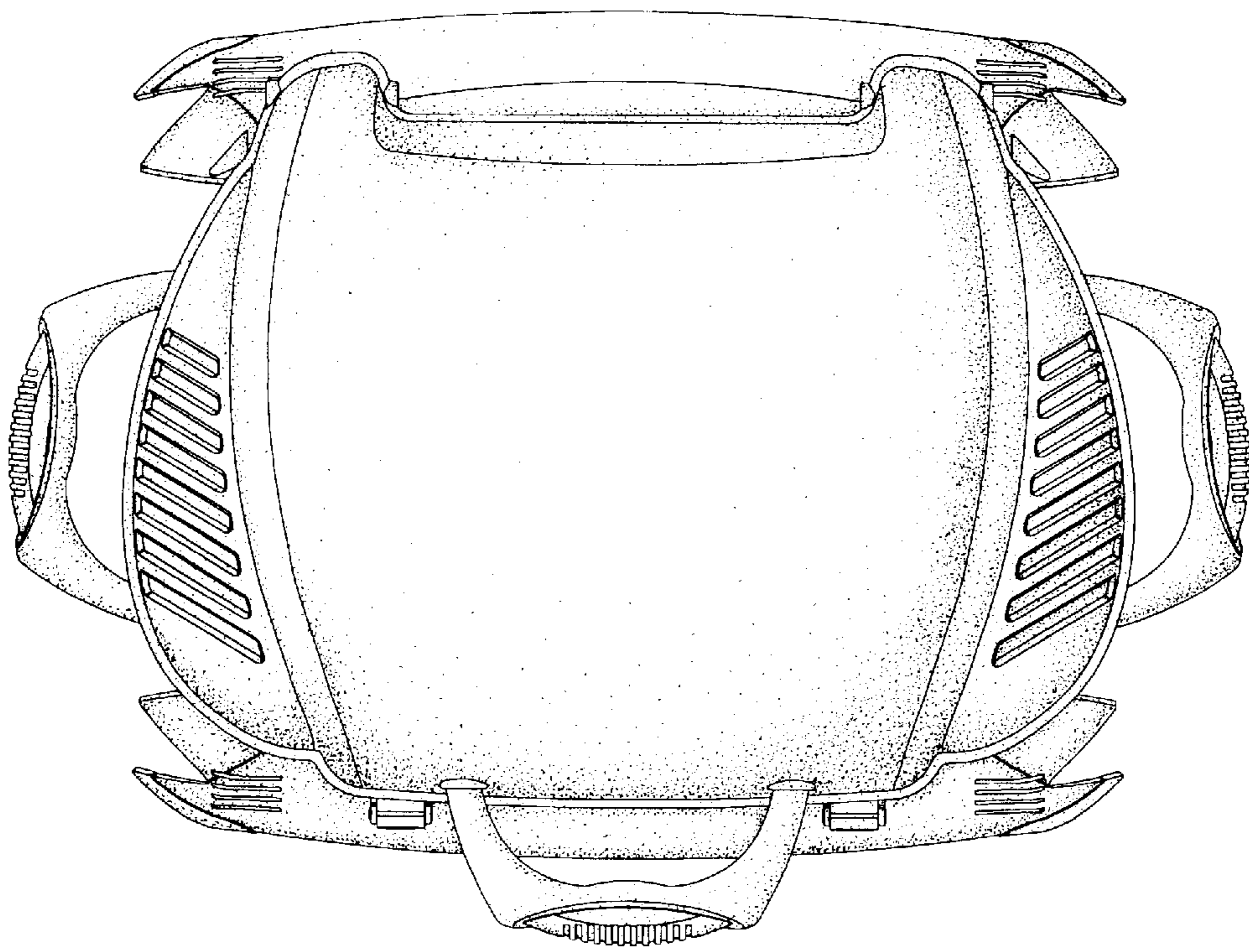


FIG. 6

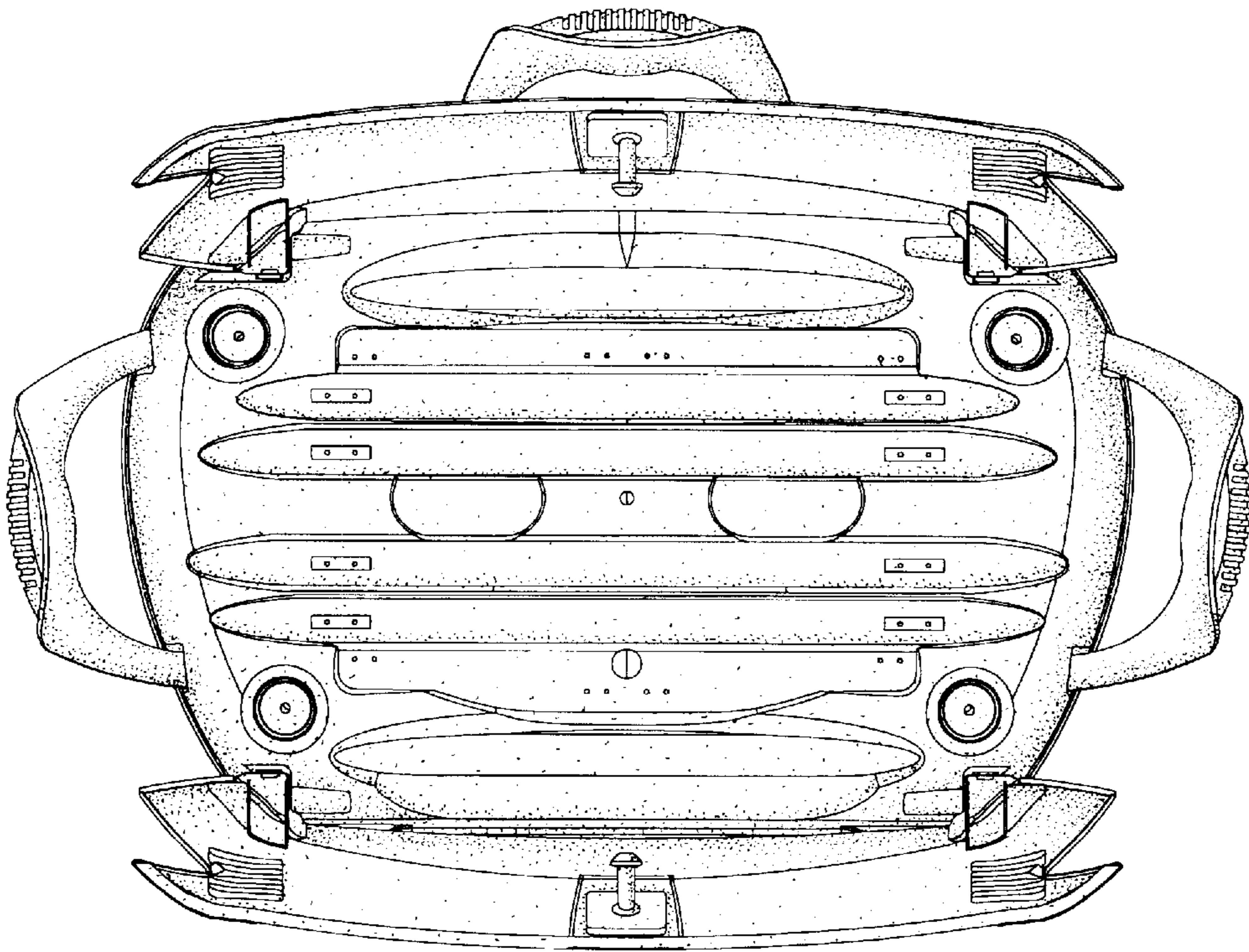


FIG. 7