



US00D478771S

(12) **United States Design Patent**
Wu

(10) **Patent No.:** **US D478,771 S**

(45) **Date of Patent:** **** Aug. 26, 2003**

(54) **GAS STOVE**

(76) **Inventor:** **Chung-Kuang Wu**, P.O. Box No. 6-57,
Chung-Ho, Taipei 235 (TW)

(**) **Term:** **14 Years**

(21) **Appl. No.:** **29/152,404**

(22) **Filed:** **Dec. 21, 2001**

(51) **LOC (7) Cl.** **07-02**

(52) **U.S. Cl.** **D7/337**

(58) **Field of Search** D7/402, 403, 404,
D7/332-337; 126/25 R, 25 A, 25 AA, 41 R,
38, 37, 9 R, 40; 99/419, 421 R; 431/344

(56) **References Cited**

U.S. PATENT DOCUMENTS

D120,152 S	*	1/1940	Tullis	D7/337
D201,234 S	*	5/1965	Busse	D7/337
D229,277 S	*	11/1973	Ming-Kong	D7/337
D244,985 S	*	7/1977	Folke	D7/337
D245,828 S	*	9/1977	Monnet	D7/407
4,082,993 A	*	4/1978	Oakes	137/322
D249,113 S	*	8/1978	Folke	D7/337

D249,448 S	*	9/1978	Vache	D7/337
D416,750 S	*	11/1999	Persson	D7/337
D424,364 S	*	5/2000	Persson	D7/337
D444,991 S	*	7/2001	Measom	D7/337
D446,991 S	*	8/2001	Taniguchi et al.	D7/337
D447,664 S	*	9/2001	Stephens et al.	D7/337

* cited by examiner

Primary Examiner—Ruth McInroy

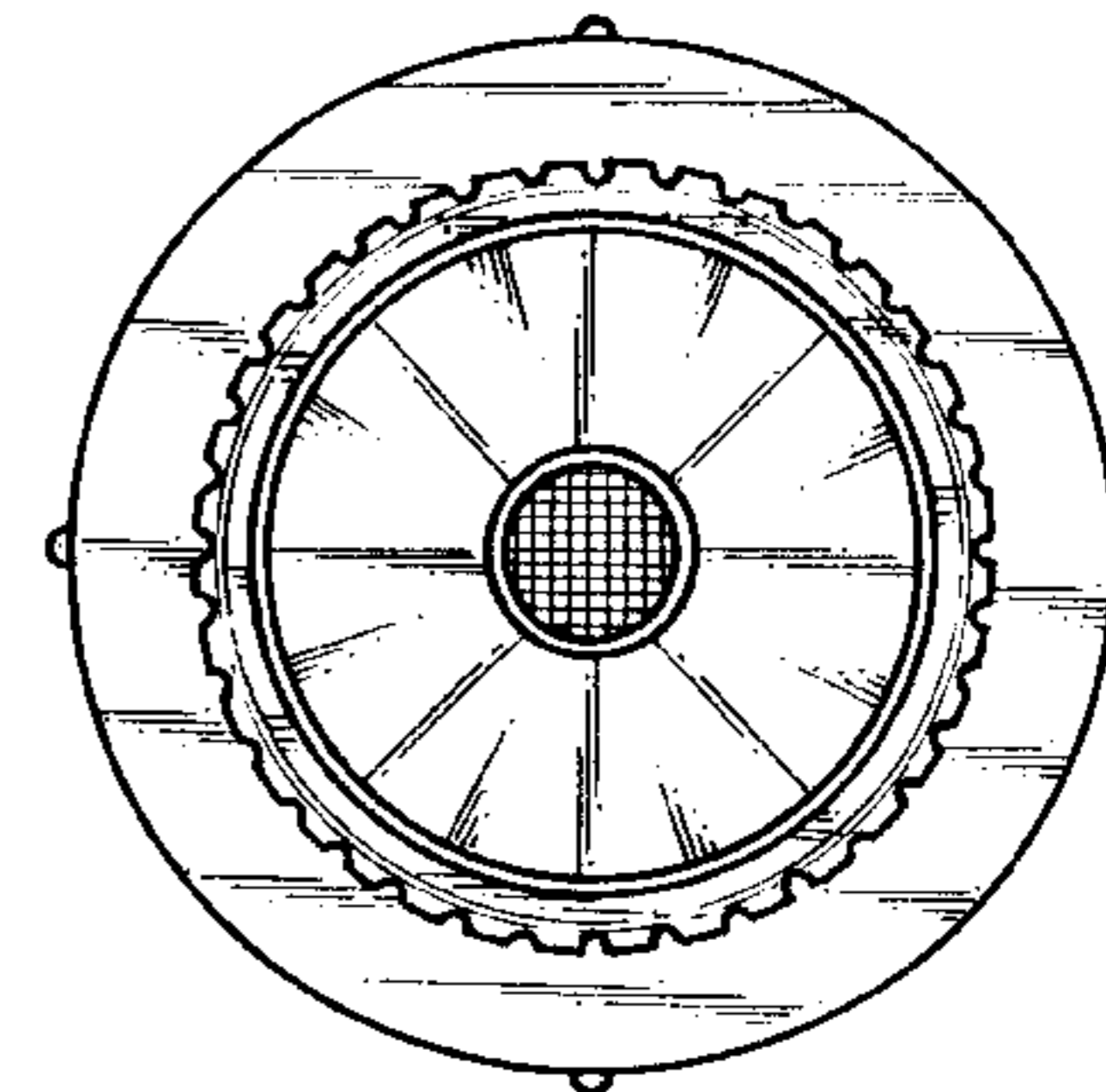
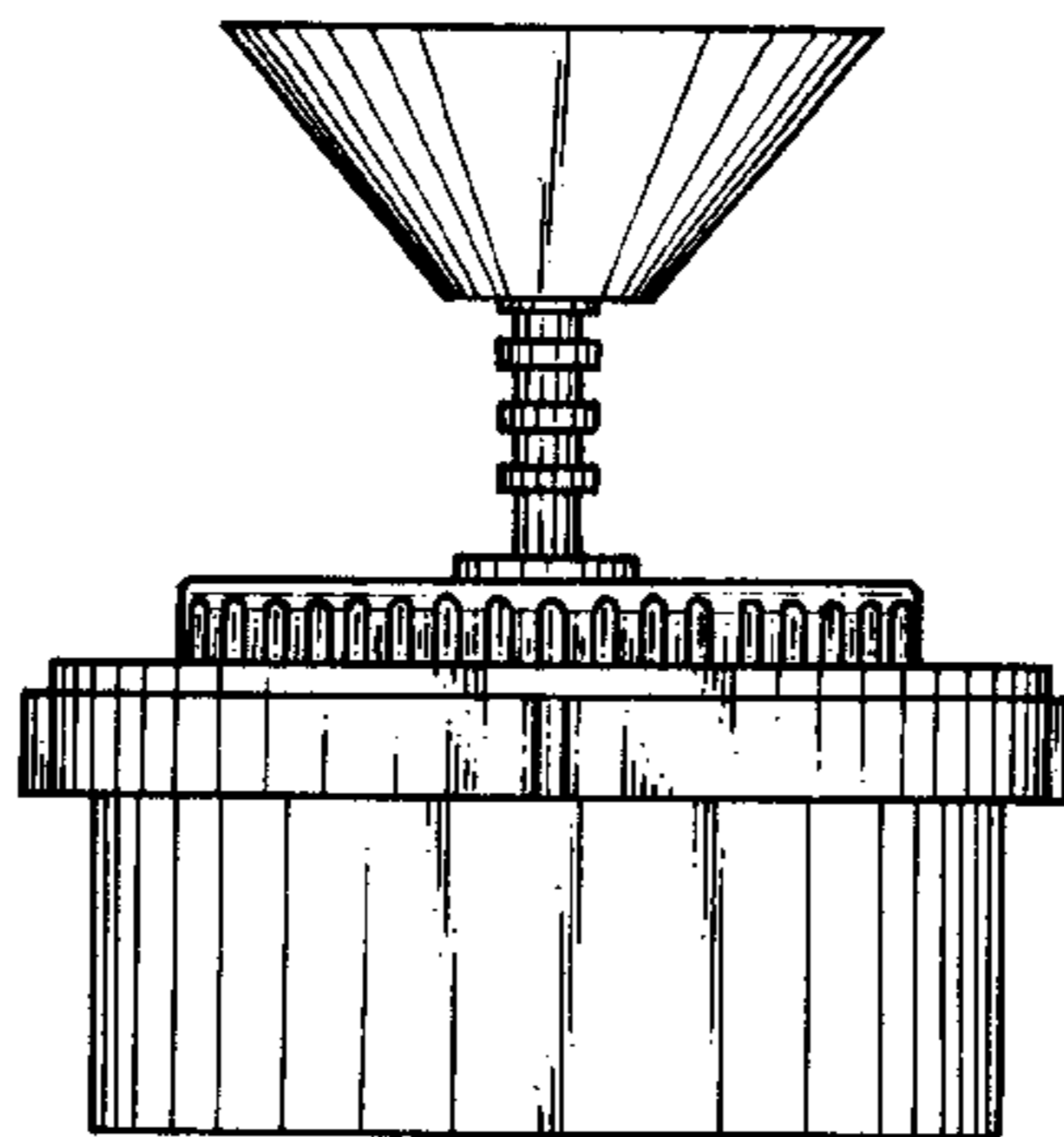
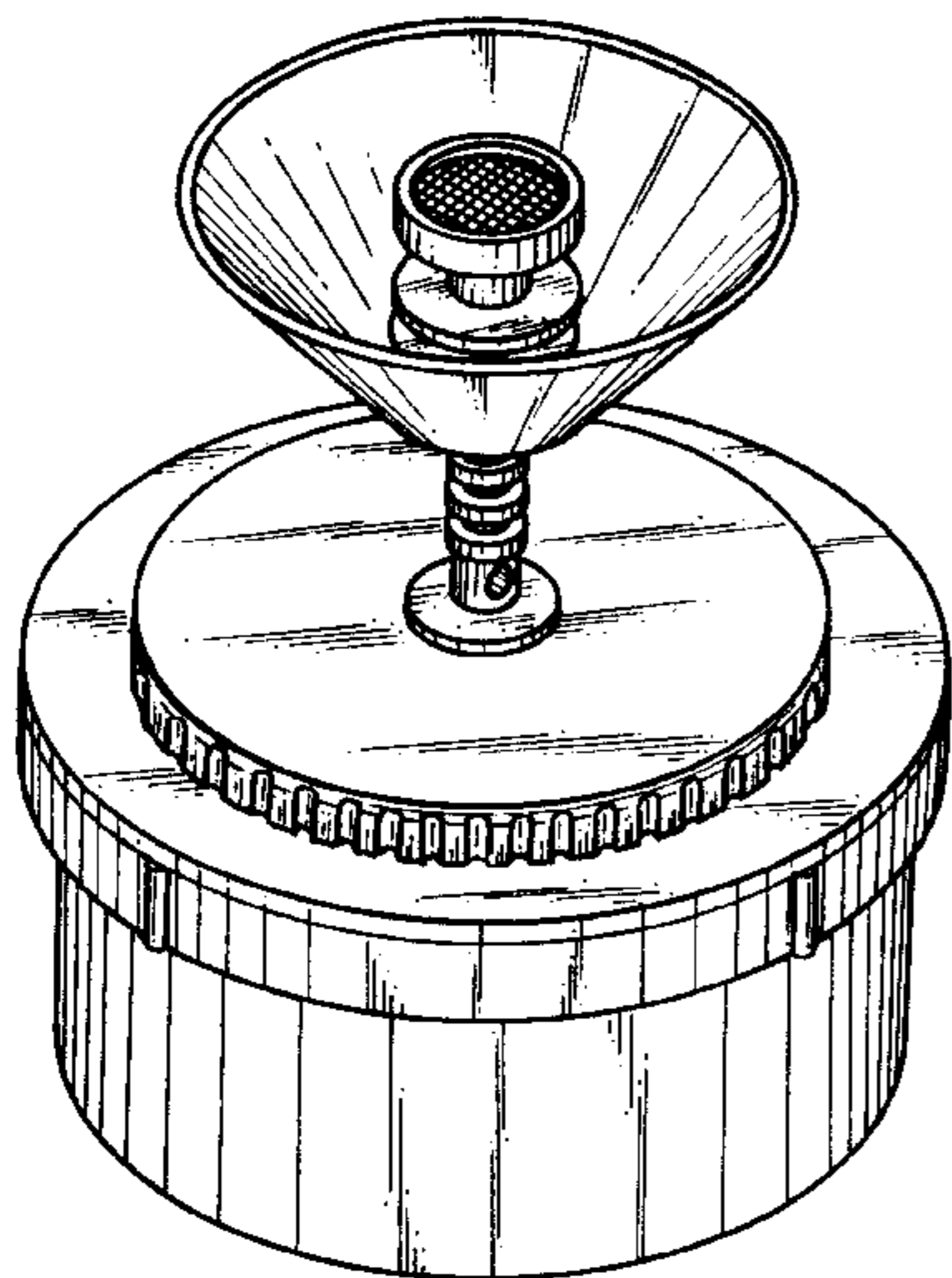
(57) **CLAIM**

The ornamental design for a gas stove, as shown and described.

DESCRIPTION

FIG. 1 is a perspective of a gas stove view showing my new design;
FIG. 2 is a front view thereof;
FIG. 3 is a back view thereof;
FIG. 4 is a left side view thereof;
FIG. 5 is a right side view thereof;
FIG. 6 is a top view thereof; and,
FIG. 7 is a bottom view thereof.

1 Claim, 4 Drawing Sheets



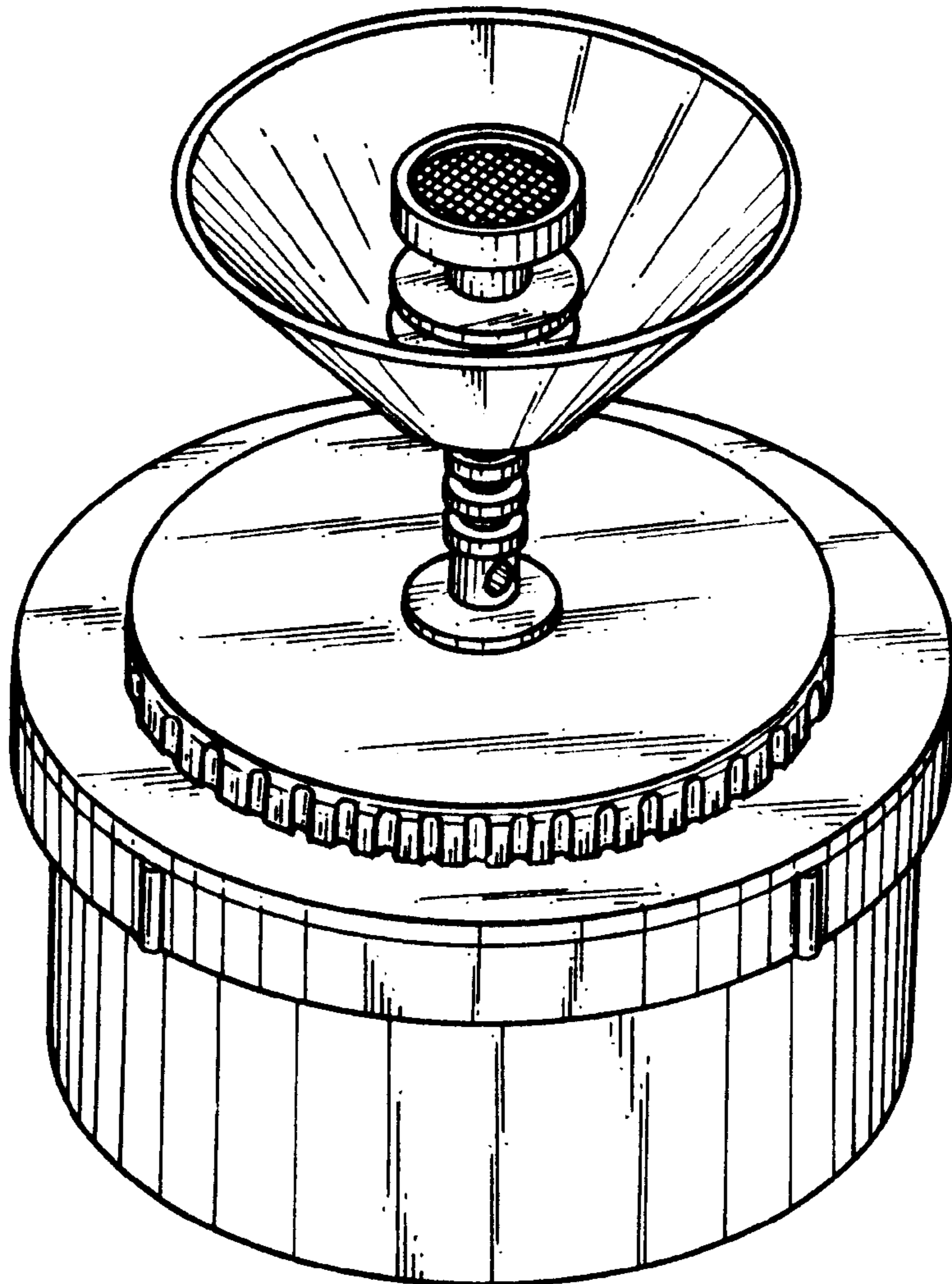


FIG.1

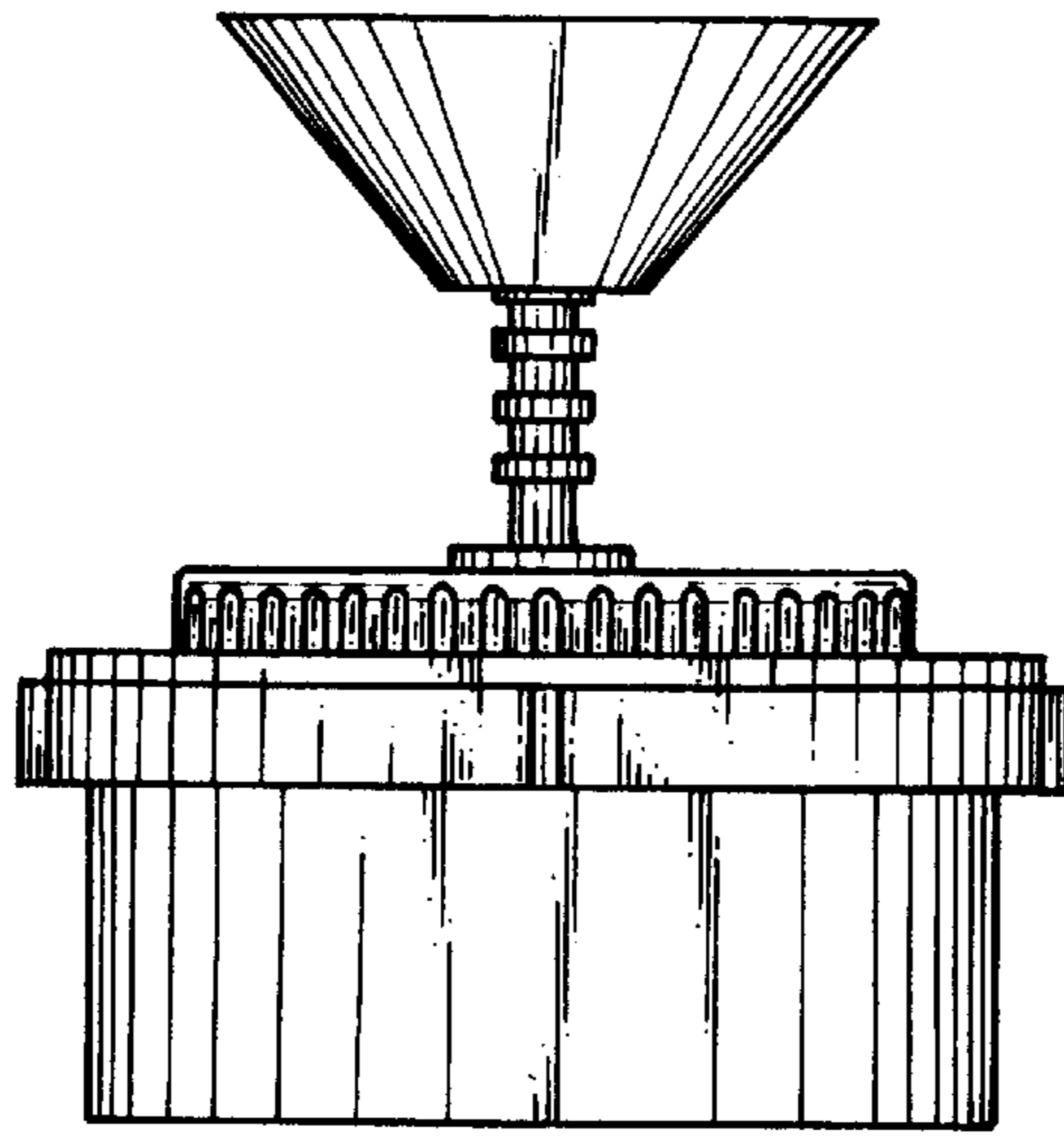


FIG.2

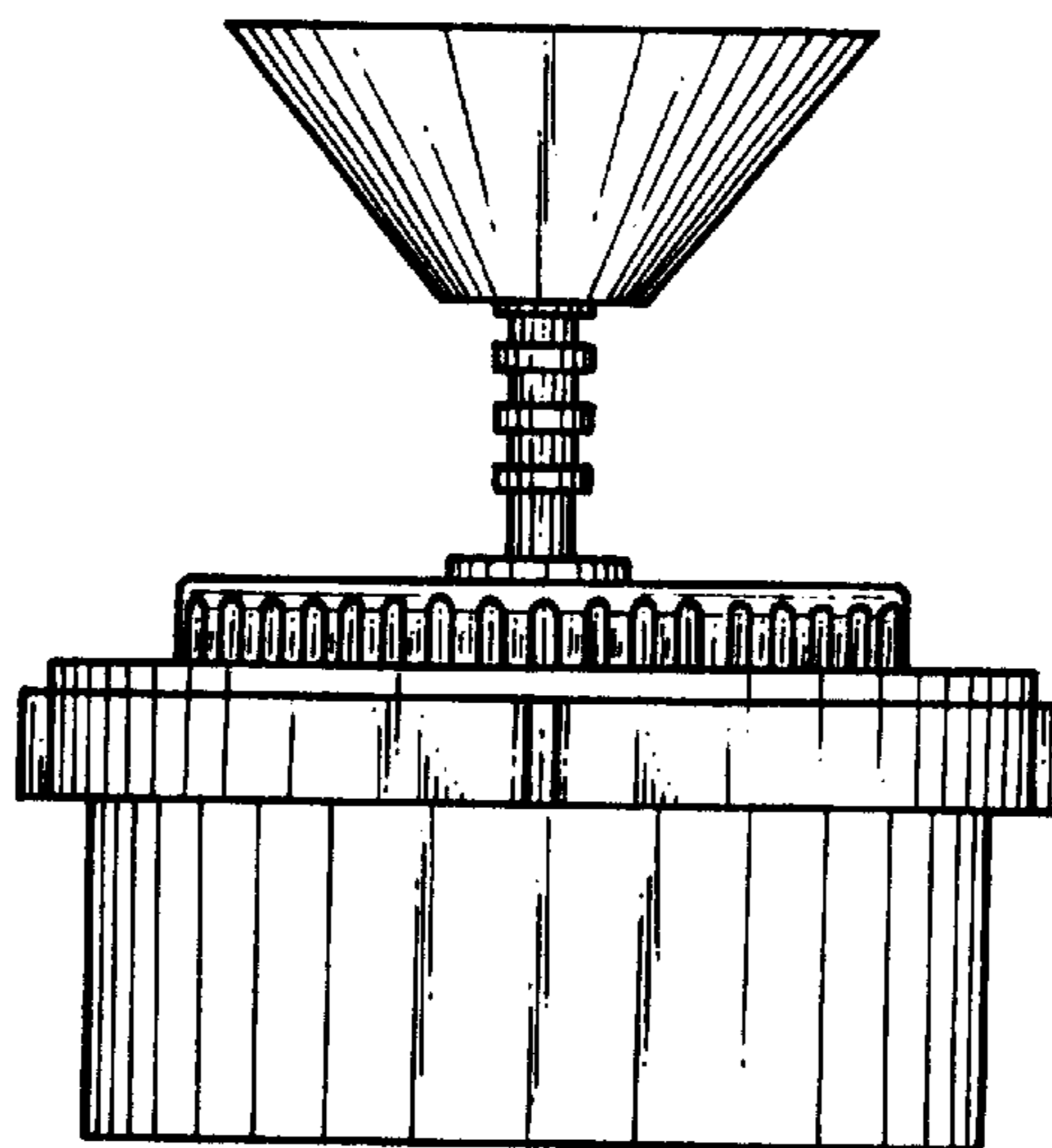


FIG.3

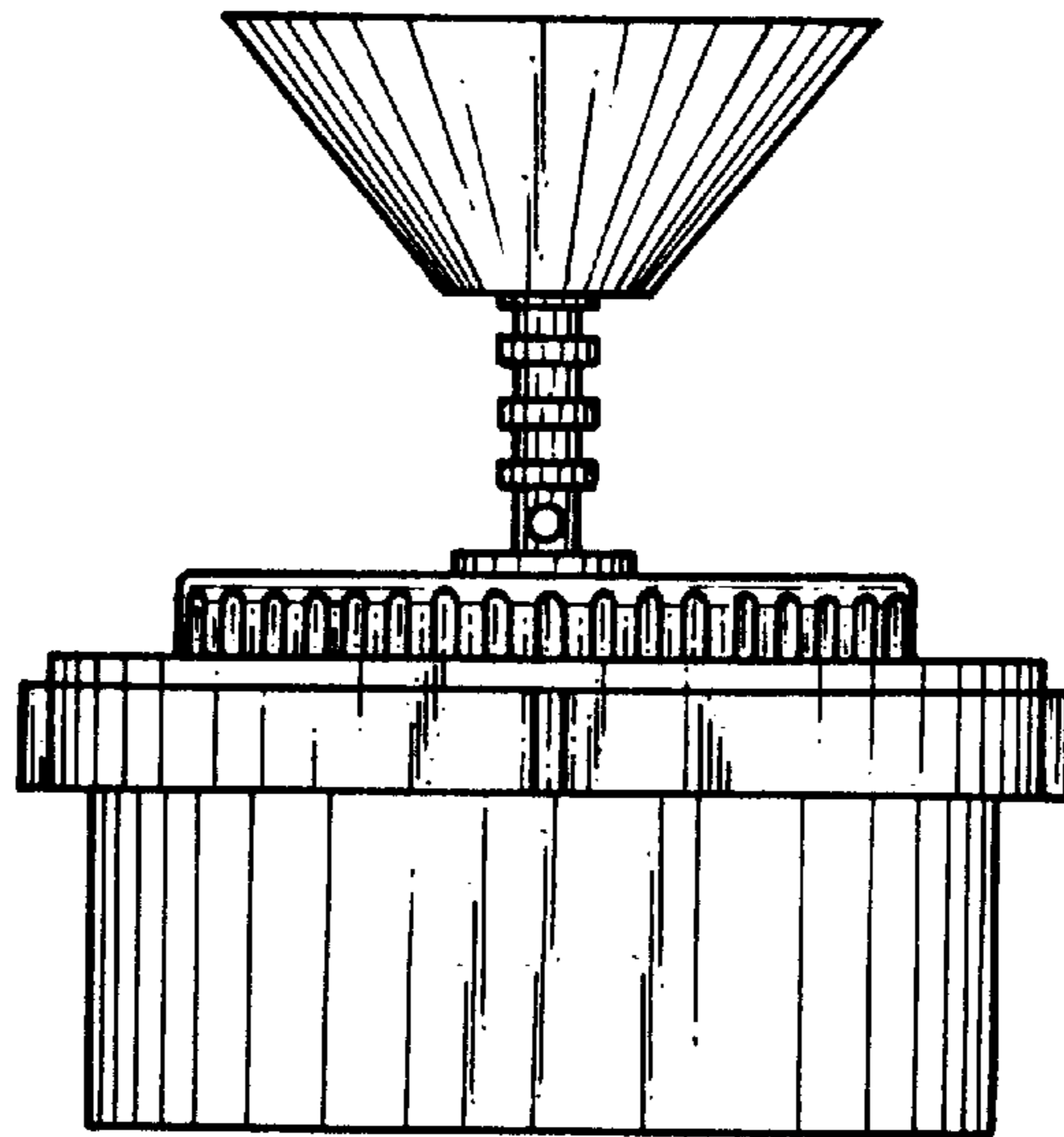


FIG.4

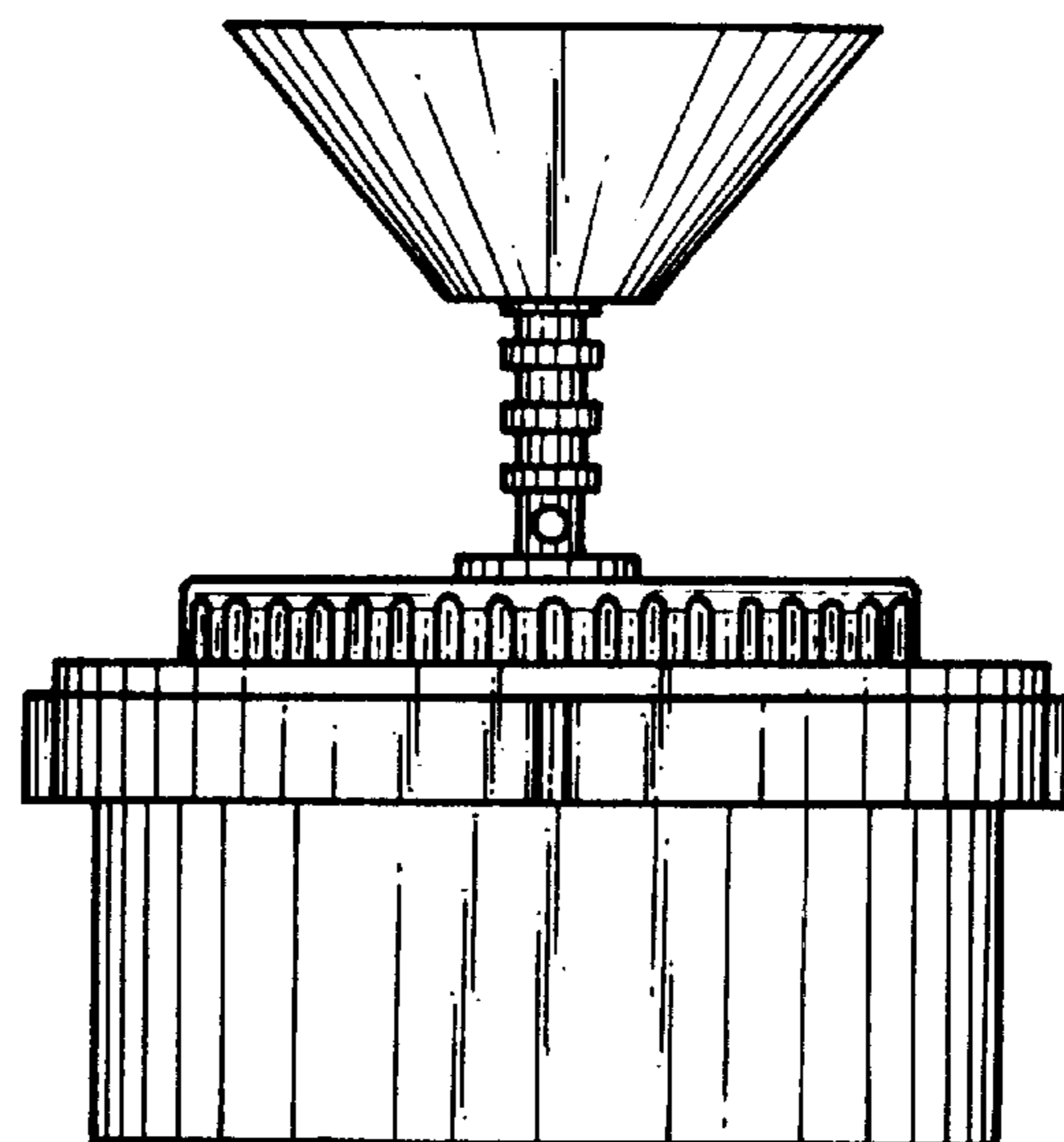


FIG.5

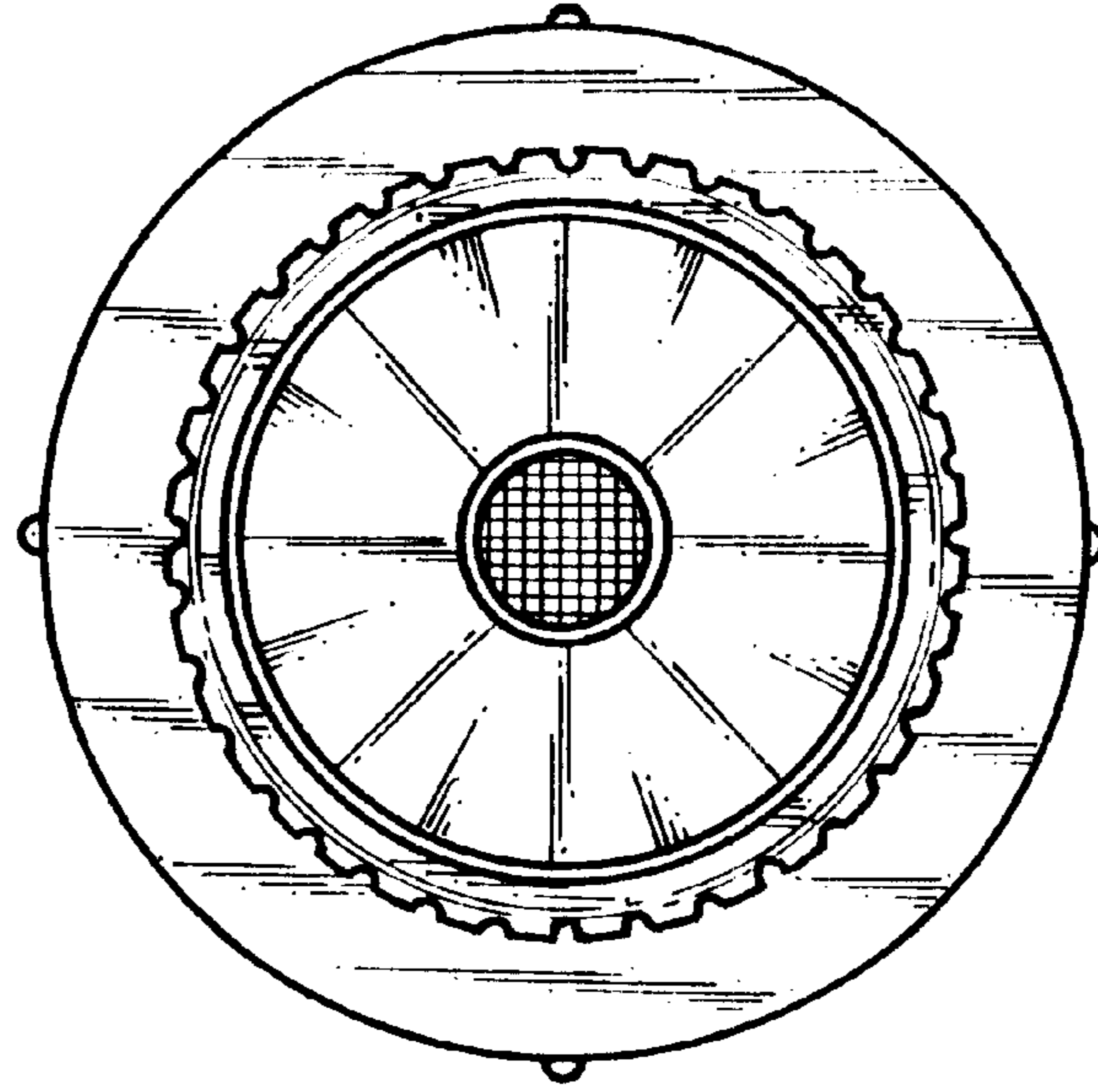


FIG. 6

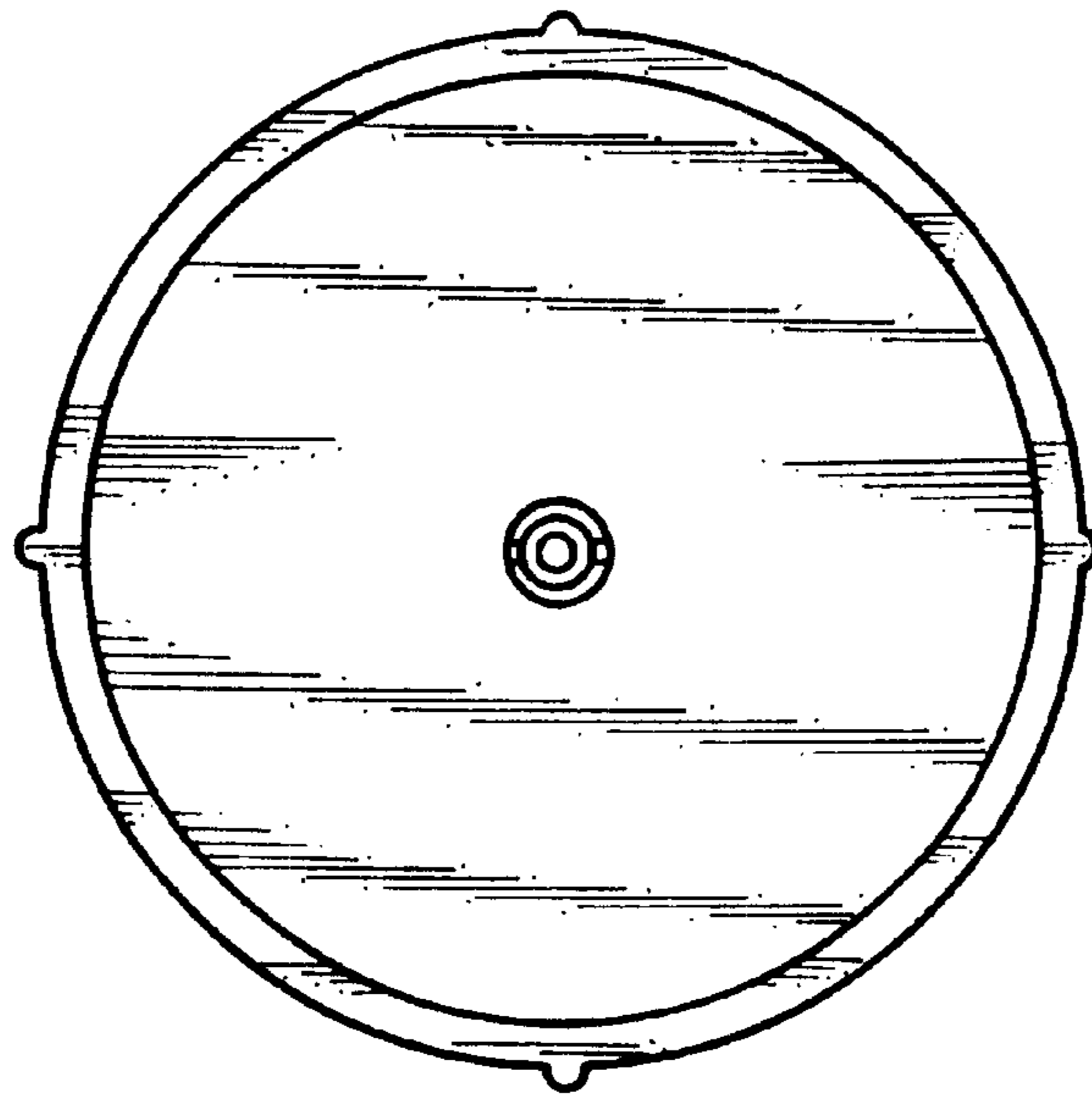


FIG. 7