



US00D478766S

(12) **United States Design Patent**
Questelles

(10) **Patent No.:** **US D478,766 S**

(45) **Date of Patent:** **** Aug. 26, 2003**

(54) **VEHICLE-ADAPTED ELECTRIC POT**

(76) Inventor: **Simeon C. Questelles**, 107-15 Flatlands Ave., Unit 3C, Brooklyn, NY (US) 11236

(**) Term: **14 Years**

(21) Appl. No.: **29/165,301**

(22) Filed: **Aug. 7, 2002**

(51) **LOC (7) Cl.** **07-01**

(52) **U.S. Cl.** **D7/321; D7/312; D7/319**

(58) **Field of Search** D7/312, 316, 317, D7/318, 319, 321, 305; 215/12.1; 220/574, 755, 318, 189, 759; 222/566, 494, 475, 465.1, 475.1, 188, 131, 157; 210/282, 470, 472; 99/279, 281, 373, 3; D10/46.2

(56) **References Cited**

U.S. PATENT DOCUMENTS

D166,774 S	*	5/1952	Russell	D7/317
D173,731 S	*	12/1954	Jepson et al.	D7/321
D176,032 S	*	11/1955	Olson et al.	D7/321
D192,571 S	*	4/1962	Rawson, Jr. et al.	D7/321
D195,477 S	*	6/1963	Cornwell	D7/321
3,093,061 A	*	6/1963	Rodwick	99/281
D201,456 S	*	6/1965	Madl	D7/321
D207,335 S	*	4/1967	Kaminski	D7/321

D208,568 S	*	9/1967	De Fano	D7/321
D218,354 S	*	8/1970	Kikuchi	D7/317
D221,796 S	*	9/1971	Greger	D7/317
D221,987 S	*	9/1971	Schugart	D7/317
3,716,169 A	*	2/1973	Chivers	222/157
D229,154 S	*	11/1973	Jordan	D7/317
3,809,285 A	*	5/1974	Unger et al.	220/759
3,926,350 A	*	12/1975	Muehlhausen et al.	222/475
3,969,610 A	*	7/1976	Ratti et al.	219/441
D269,585 S	*	7/1983	Phillips	D7/321
4,605,134 A	*	8/1986	Zimmermann	222/566
D307,695 S	*	5/1990	Cesaroni et al.	D7/321
D464,522 S	*	10/2002	OaConnor et al.	D7/319

* cited by examiner

Primary Examiner—M. N. Pandozzi

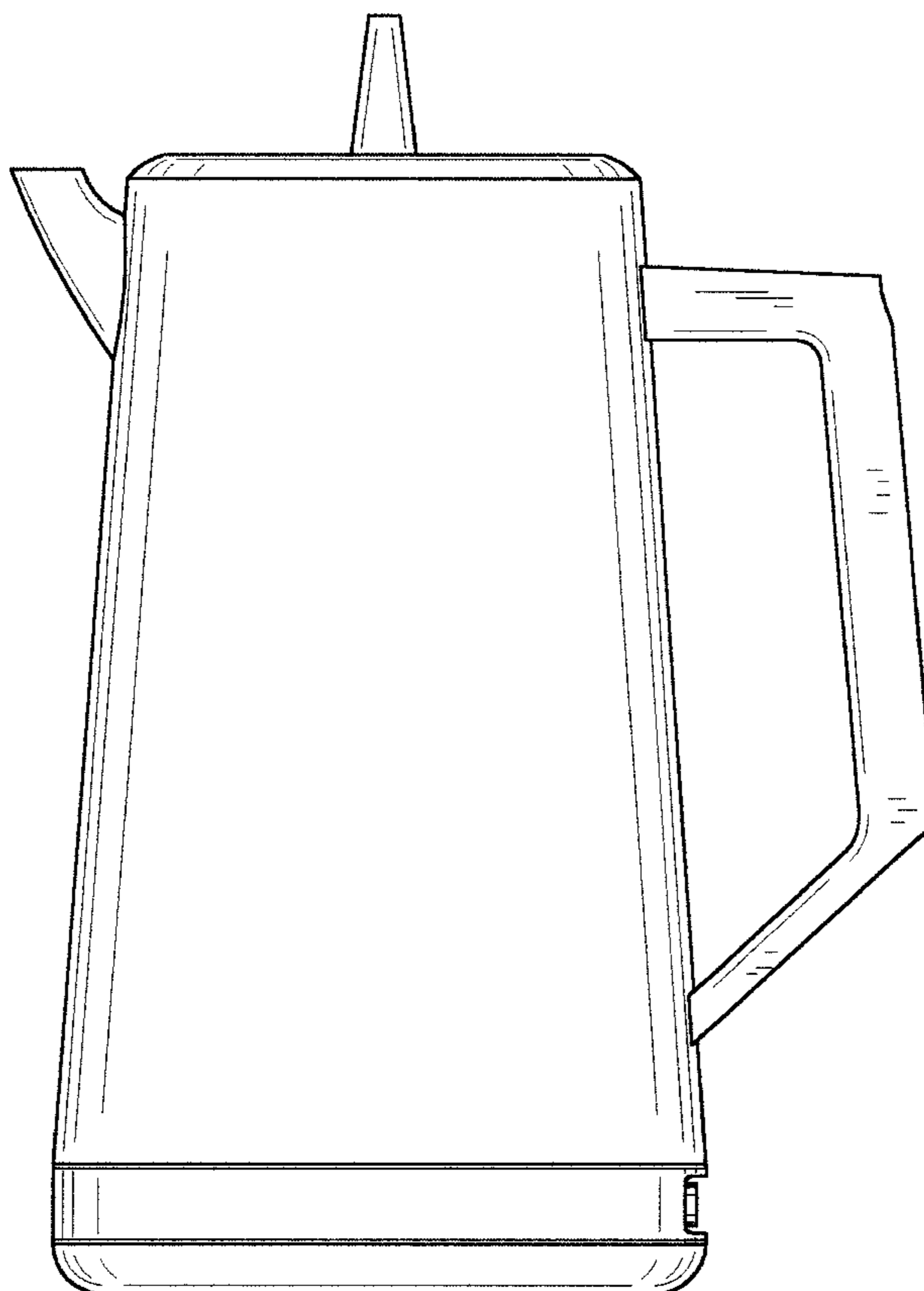
(57) **CLAIM**

The ornamental design for a vehicle-adapted electric pot, as shown and described.

DESCRIPTION

FIG. 1 is a side view of a vehicle-adapted electric pot showing my new design.
FIG. 2 is a front view of the vehicle-adapted electric pot.
FIG. 3 is a back view of the vehicle-adapted electric pot.
FIG. 4 is a top view of the vehicle-adapted electric pot; and,
FIG. 5 is a bottom view of the vehicle-adapted electric pot.

1 Claim, 2 Drawing Sheets



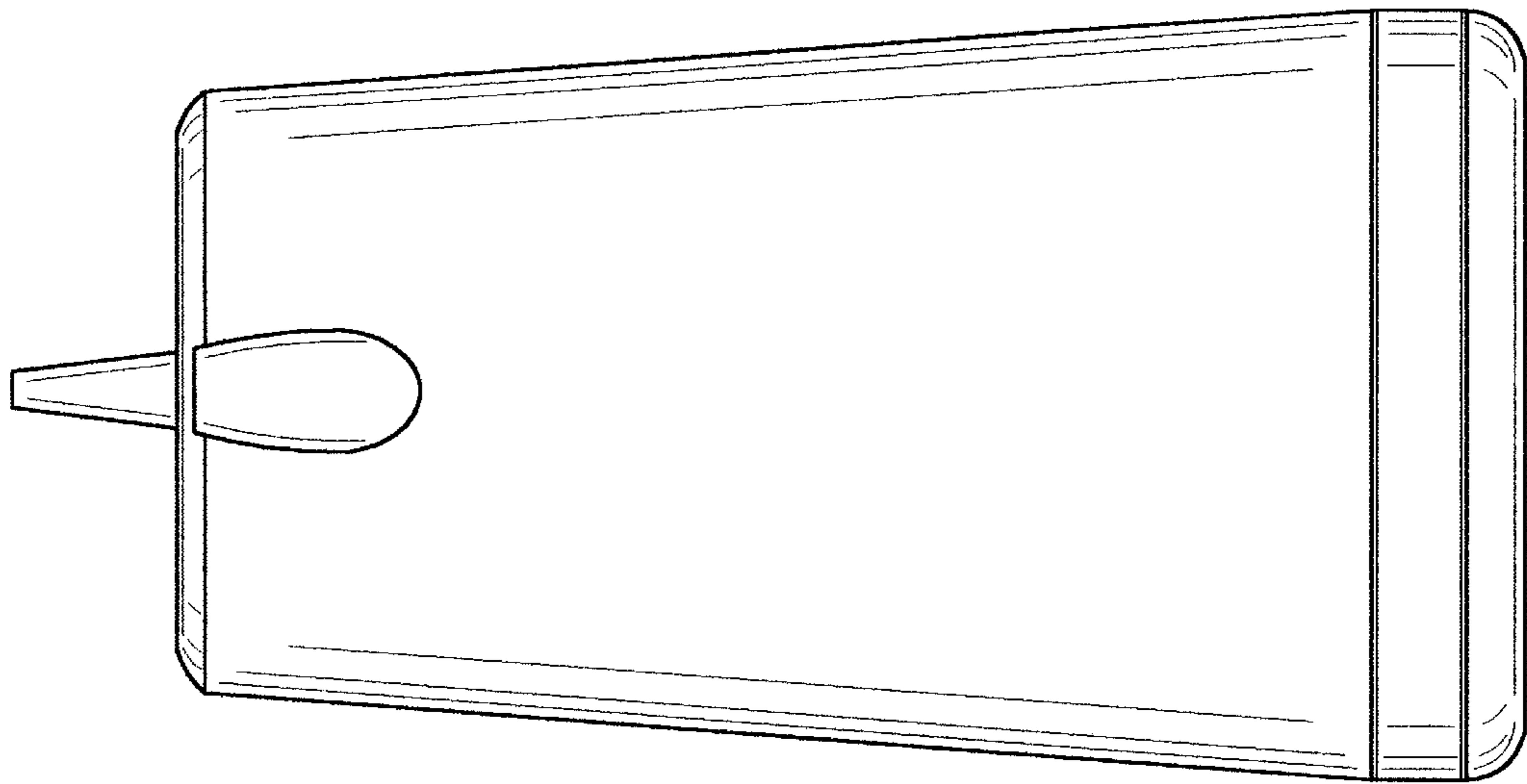


FIG. 2

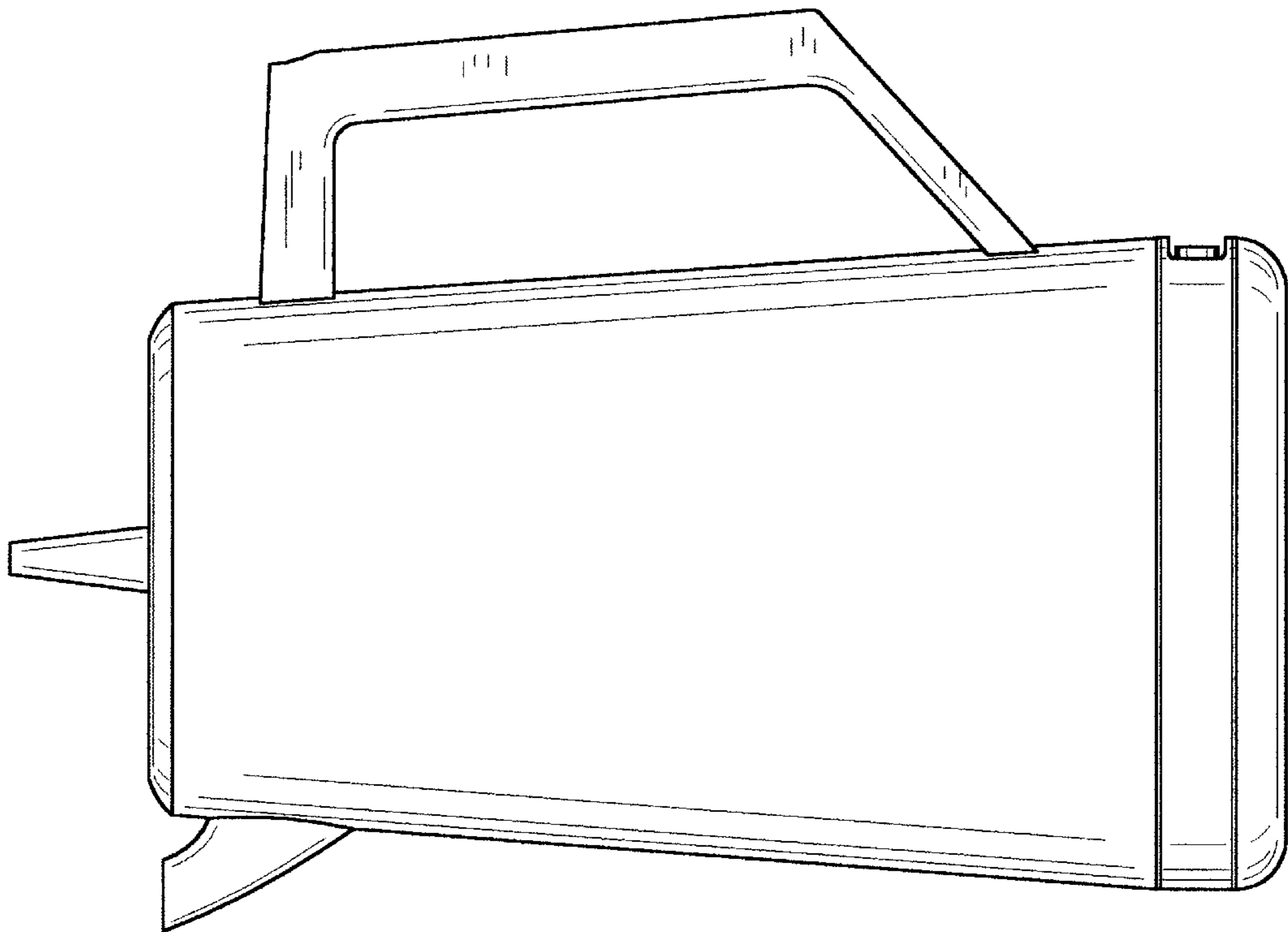


FIG. 1

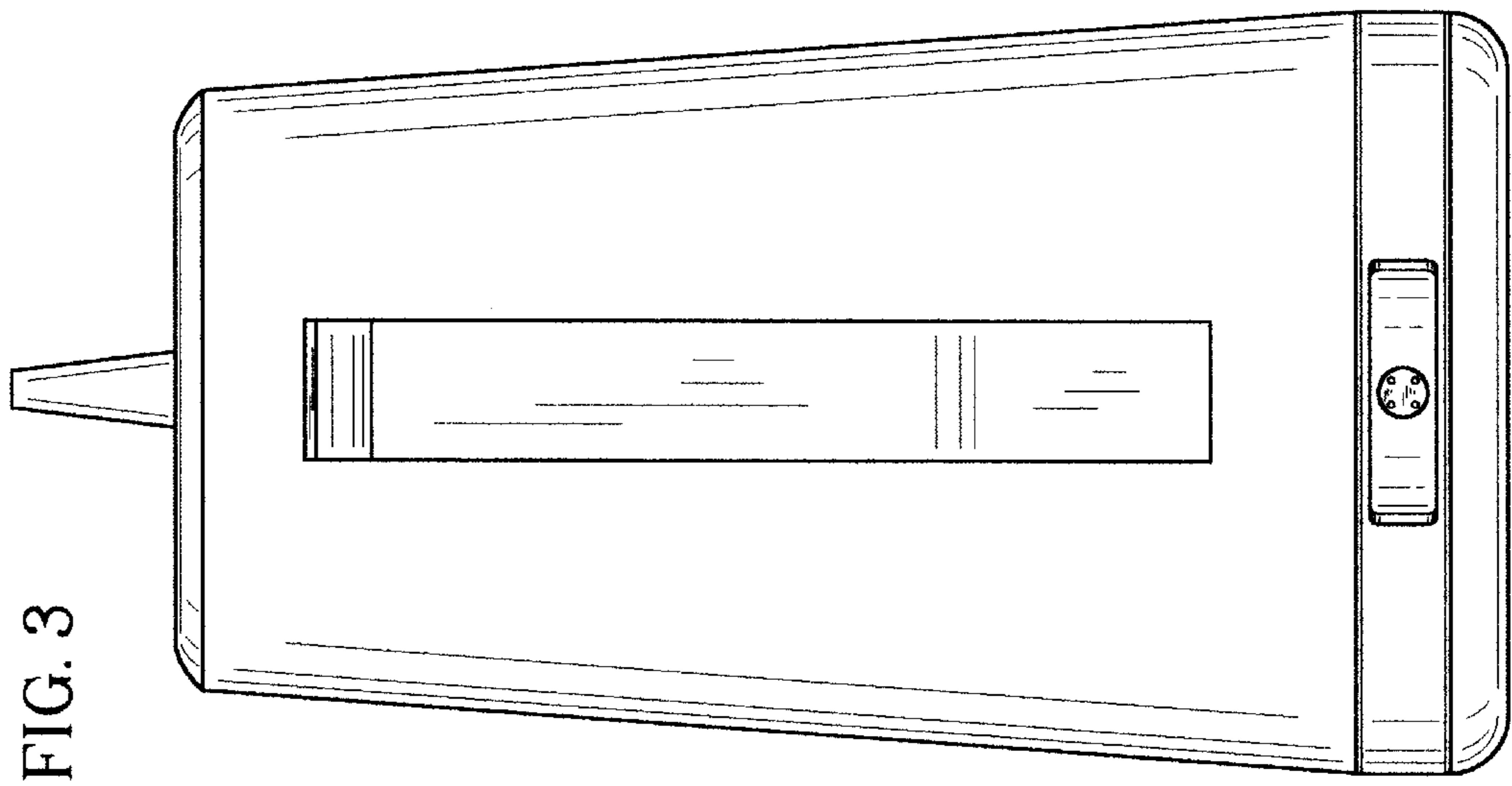
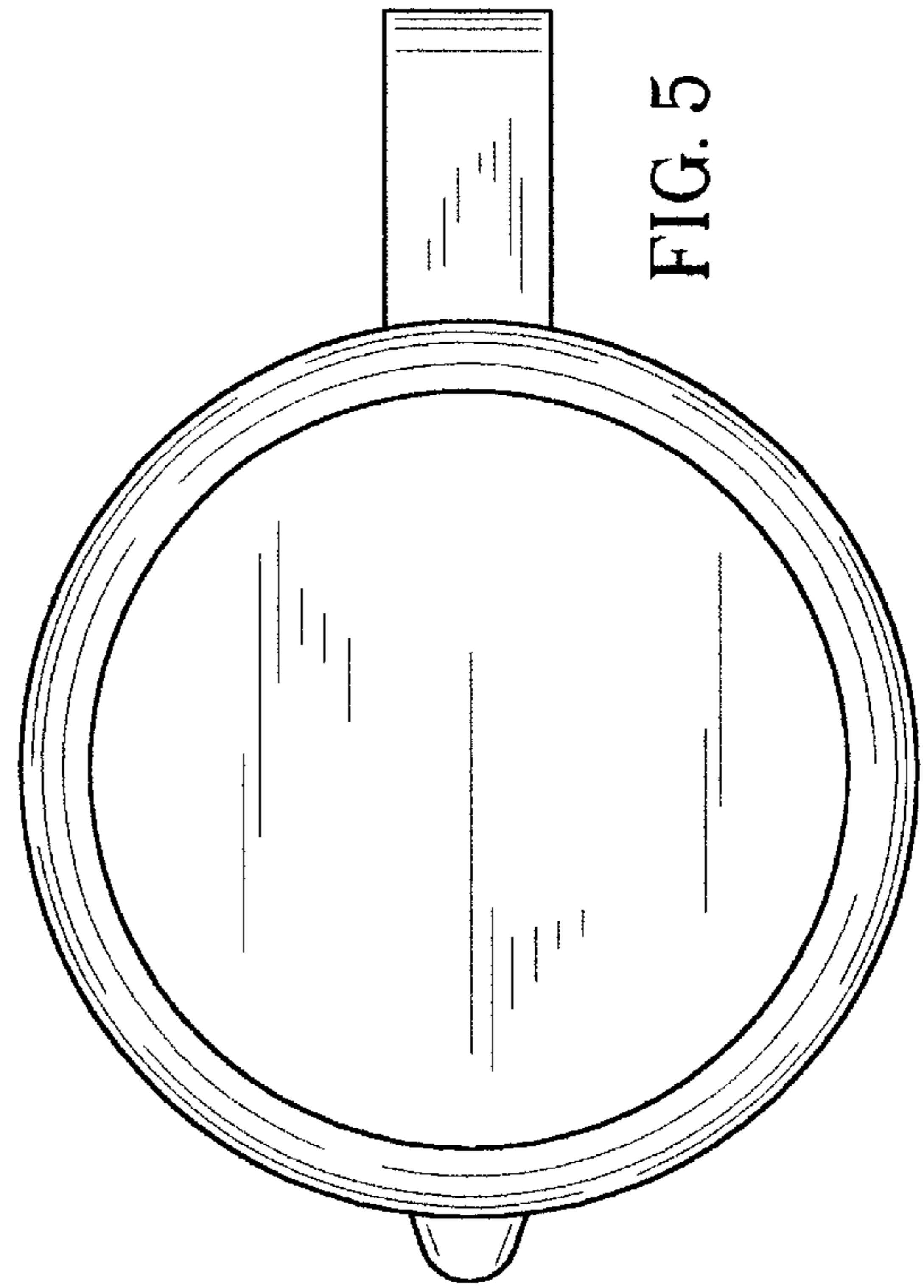
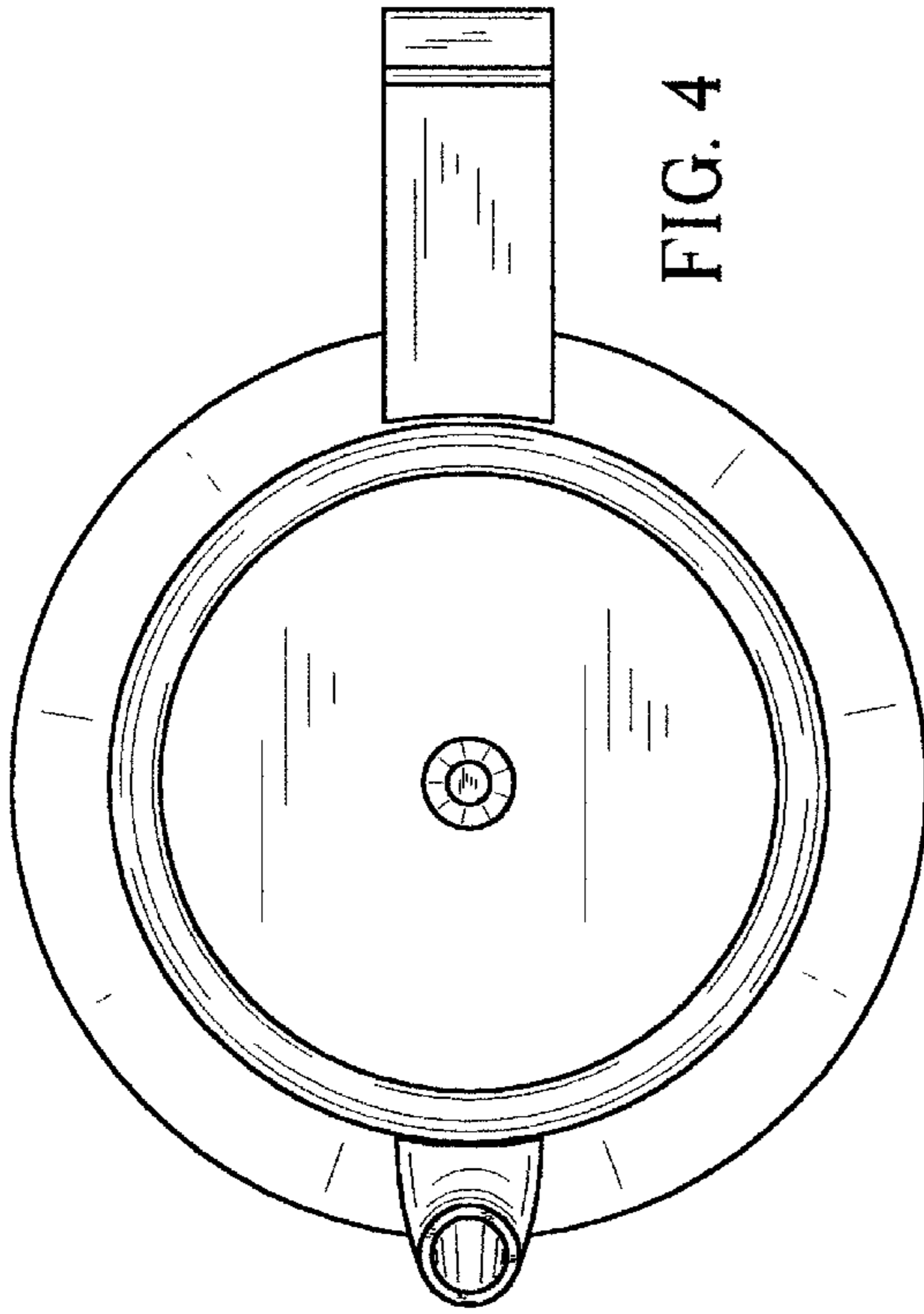


FIG. 3

FIG. 4

FIG. 5