



US00D478765S

(12) **United States Design Patent**  
**Seum et al.**

(10) **Patent No.:** **US D478,765 S**  
(45) **Date of Patent:** **\*\* Aug. 26, 2003**

(54) **ESPRESSO MACHINE**

(75) Inventors: **Michael T. Seum**, St. Joseph, MI (US);  
**John B. Ledingham**, St. Joseph, MI  
(US); **Philip M. Thompson**, St. Joseph,  
MI (US); **Jonathan M. Dalton**,  
Portland, OR (US); **Jamian Cobbett**,  
Portland, OR (US)

(73) Assignee: **Whirlpool Corporation**, Benton  
Harbor, MI (US)

(\*\*) Term: **14 Years**

(21) Appl. No.: **29/170,971**

(22) Filed: **Nov. 14, 2002**

(51) **LOC (7) Cl.** ..... **07-01**

(52) **U.S. Cl.** ..... **D7/308; D7/309; D7/311**

(58) **Field of Search** ..... **D7/309, 310, 311,**  
**D7/308, 307, 306, 305; 99/304, 305, 283,**  
**279, 292, 293; 272/129.1, 129.2, 129.3,**  
**129.4**

(56) **References Cited**

**U.S. PATENT DOCUMENTS**

D318,973 S \* 8/1991 Hasslacher ..... D7/308  
D336,206 S \* 6/1993 Littmann ..... D7/309  
D344,205 S \* 2/1994 Saltet ..... D7/309

D382,437 S \* 8/1997 Amiel ..... D7/309  
D396,987 S \* 8/1998 Seiffert ..... D7/309  
D397,904 S \* 9/1998 Longhi ..... D7/309  
D398,183 S \* 9/1998 Felip ..... D7/309  
D408,681 S \* 4/1999 Lin ..... D7/309  
D431,409 S \* 10/2000 Man ..... D7/309  
D452,106 S \* 12/2001 Seiffert ..... D7/305  
D459,628 S \* 7/2002 Cahen ..... D7/309  
D460,653 S \* 7/2002 Cahen ..... D7/309

\* cited by examiner

*Primary Examiner*—M. N. Pandozzi

(74) *Attorney, Agent, or Firm*—John F. Colligan; Robert O.  
Rice; Stephen Krefman

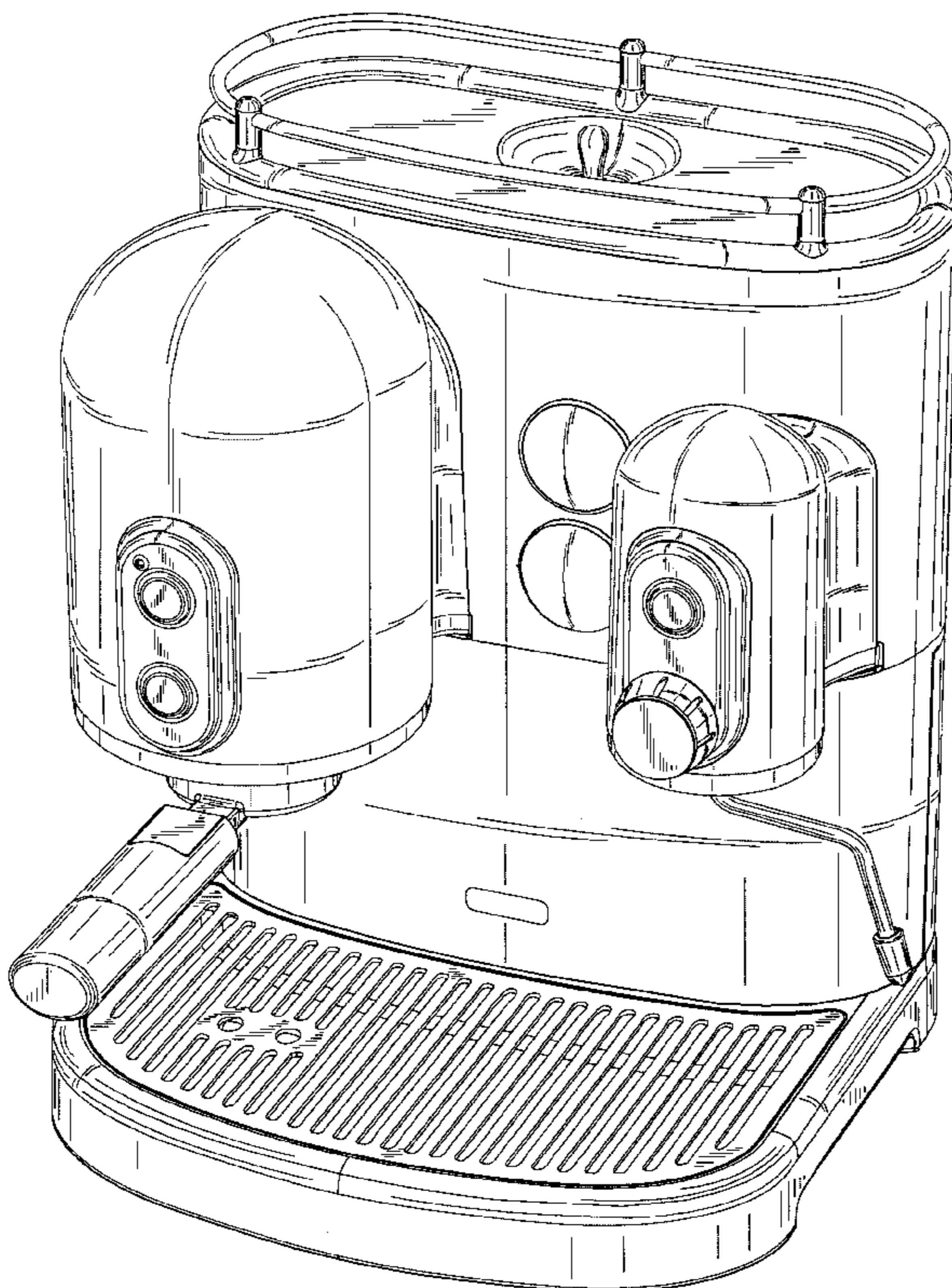
(57) **CLAIM**

The ornamental design for an espresso machine, as shown  
and described.

**DESCRIPTION**

FIG. 1 is a front perspective view of the espresso machine  
showing our new design;  
FIG. 2 is a front elevational view thereof;  
FIG. 3 is a rear elevational view thereof;  
FIG. 4 is a left side elevational view thereof;  
FIG. 5 is a right side elevational view thereof;  
FIG. 6 is a top plan view thereof.

**1 Claim, 6 Drawing Sheets**



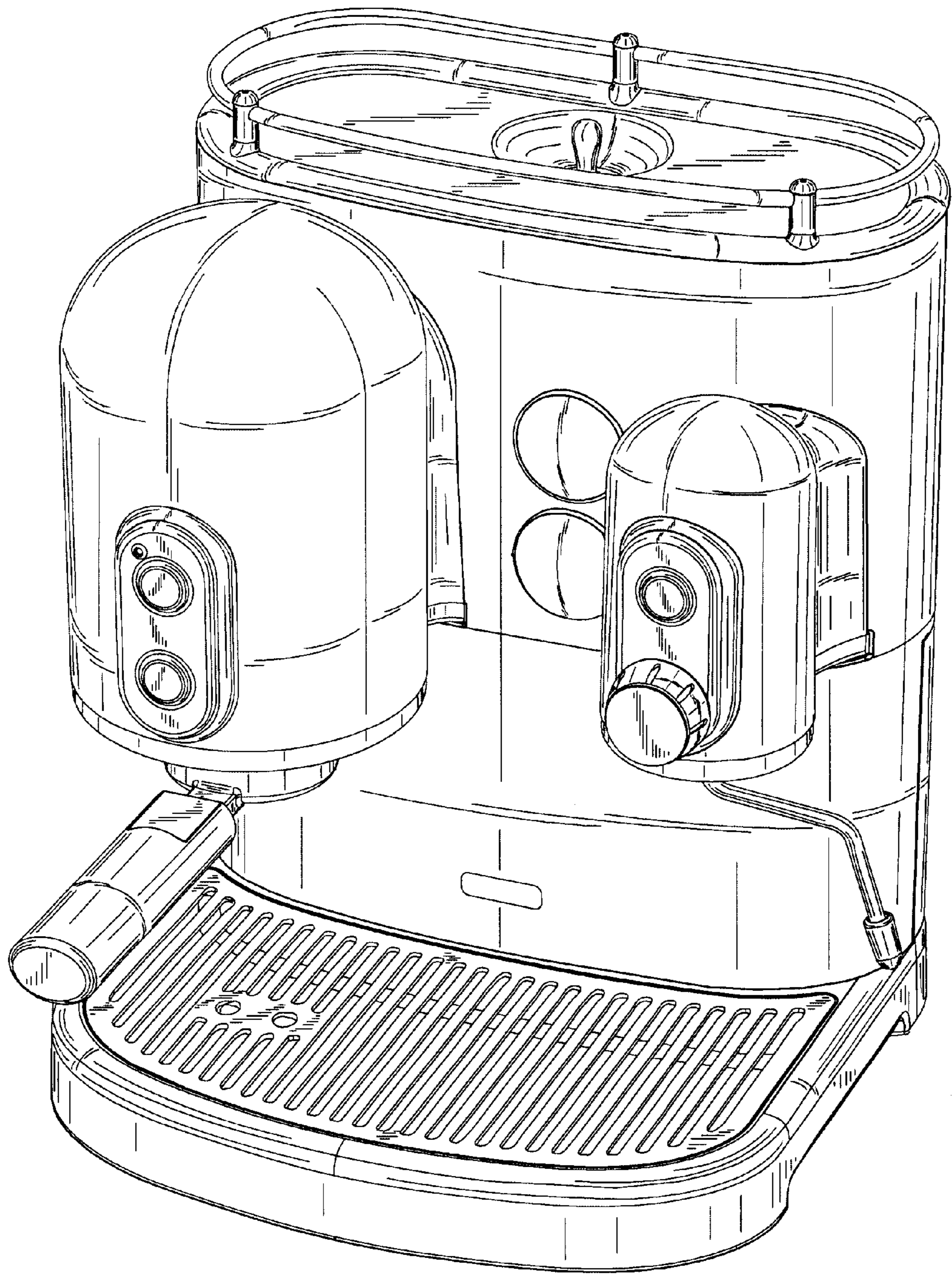


Fig. 1

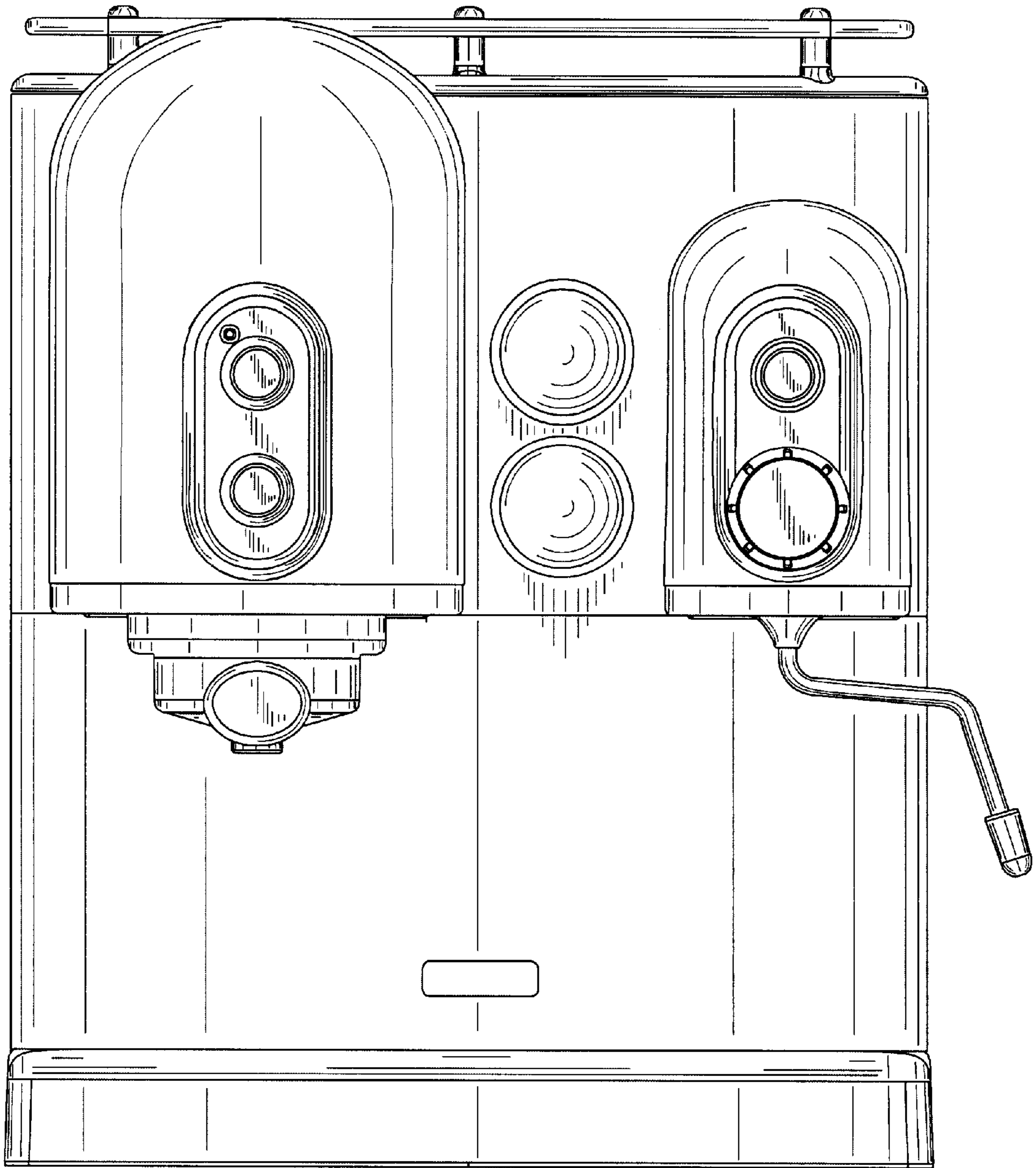
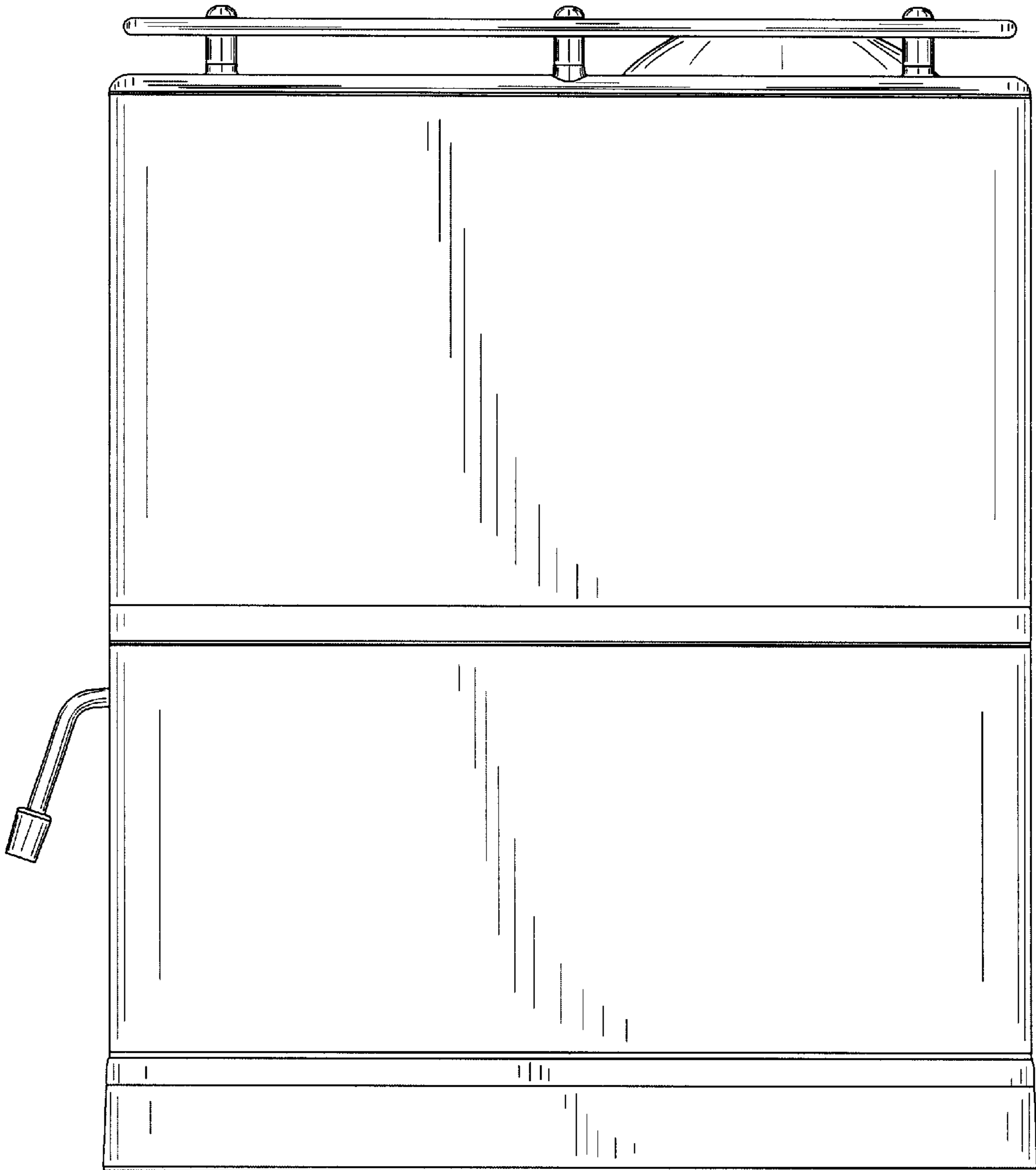
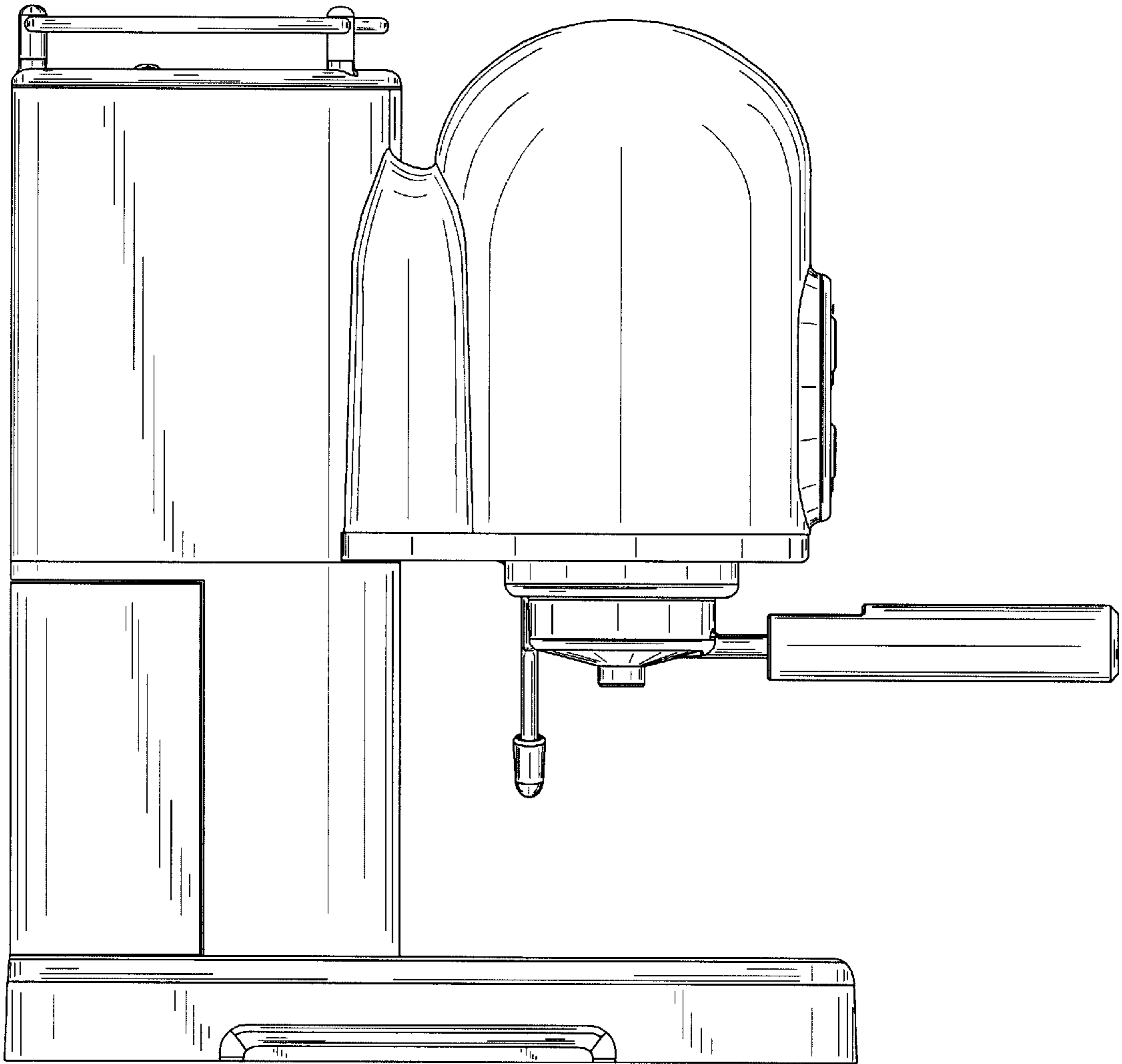


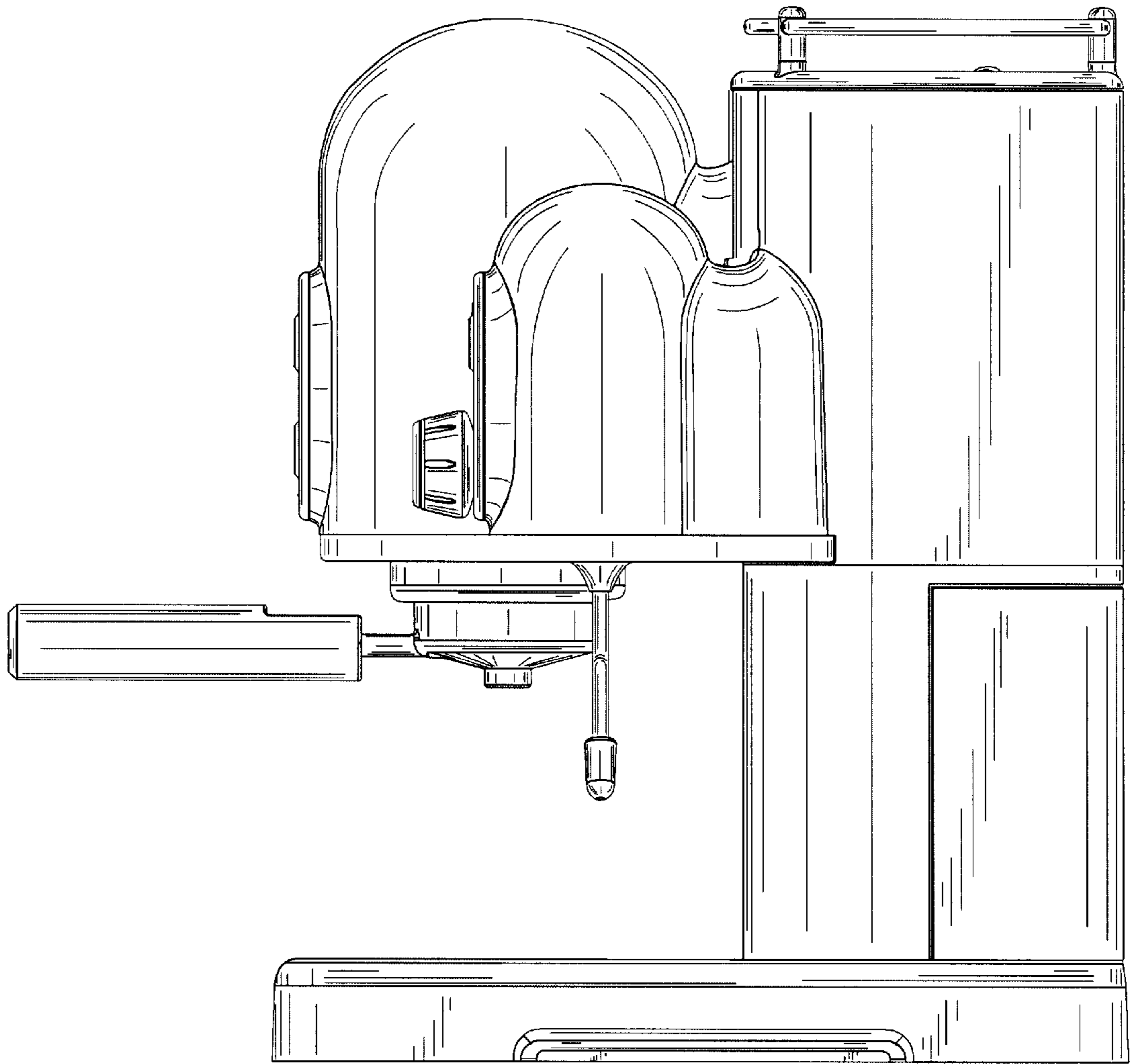
Fig. 2



**Fig. 3**



**Fig. 4**



**Fig. 5**

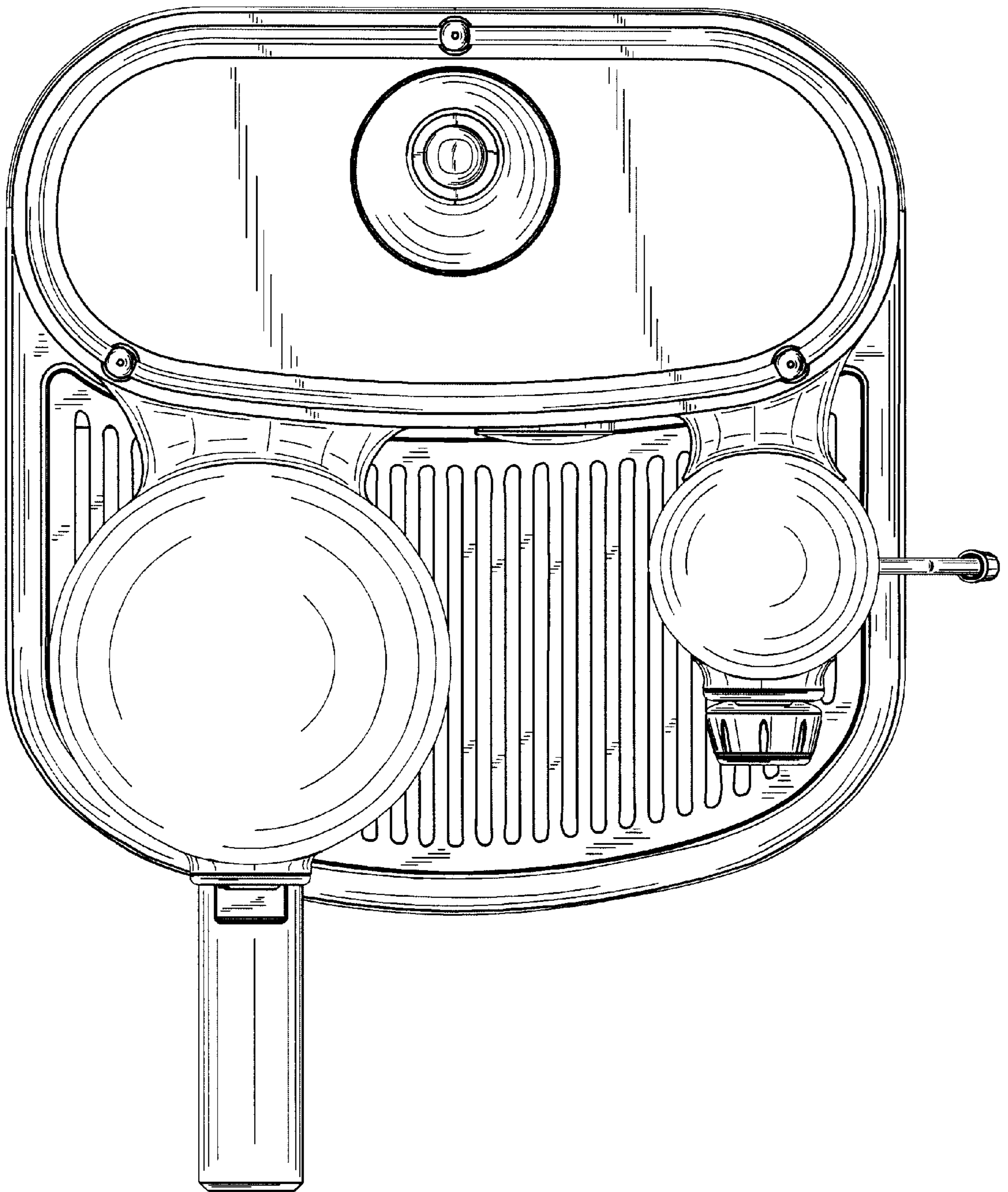


Fig. 6