



US00D478757S

(12) **United States Design Patent**
Hoernig

(10) **Patent No.:** **US D478,757 S**

(45) **Date of Patent:** **** Aug. 26, 2003**

(54) **TUMBLER HOLDER**

(75) Inventor: **Victor Hoernig**, Lowell, IN (US)

(73) Assignee: **Bath Unlimited, Inc.**, Fort Mill, SC (US)

(**) Term: **14 Years**

(21) Appl. No.: **29/166,043**

(22) Filed: **Aug. 21, 2002**

(51) **LOC (7) Cl.** **23-02**

(52) **U.S. Cl.** **D6/535**

(58) **Field of Search** D6/535, 531, 540,
D6/524, 553, 567; D29/9, 72, 138, 145;
206/426; 211/13.1, 85.12, 70.7, 71.01, 74,
75, 86.01, 87.01; 248/309.1, 311.2, 312.1,
314

(56) **References Cited**

U.S. PATENT DOCUMENTS

- 4,697,780 A * 10/1987 Wenkman et al. 248/311.2 X
- D425,742 S * 5/2000 Duggan D6/535
- D453,646 S * 2/2002 Gottwald D6/535

- D455,589 S * 4/2002 Hoernig D6/531
- D456,194 S * 4/2002 Hoernig D6/535

* cited by examiner

Primary Examiner—Brian N. Vinson

(74) *Attorney, Agent, or Firm*—Edgar A. Zarins; Lloyd D. Doigan

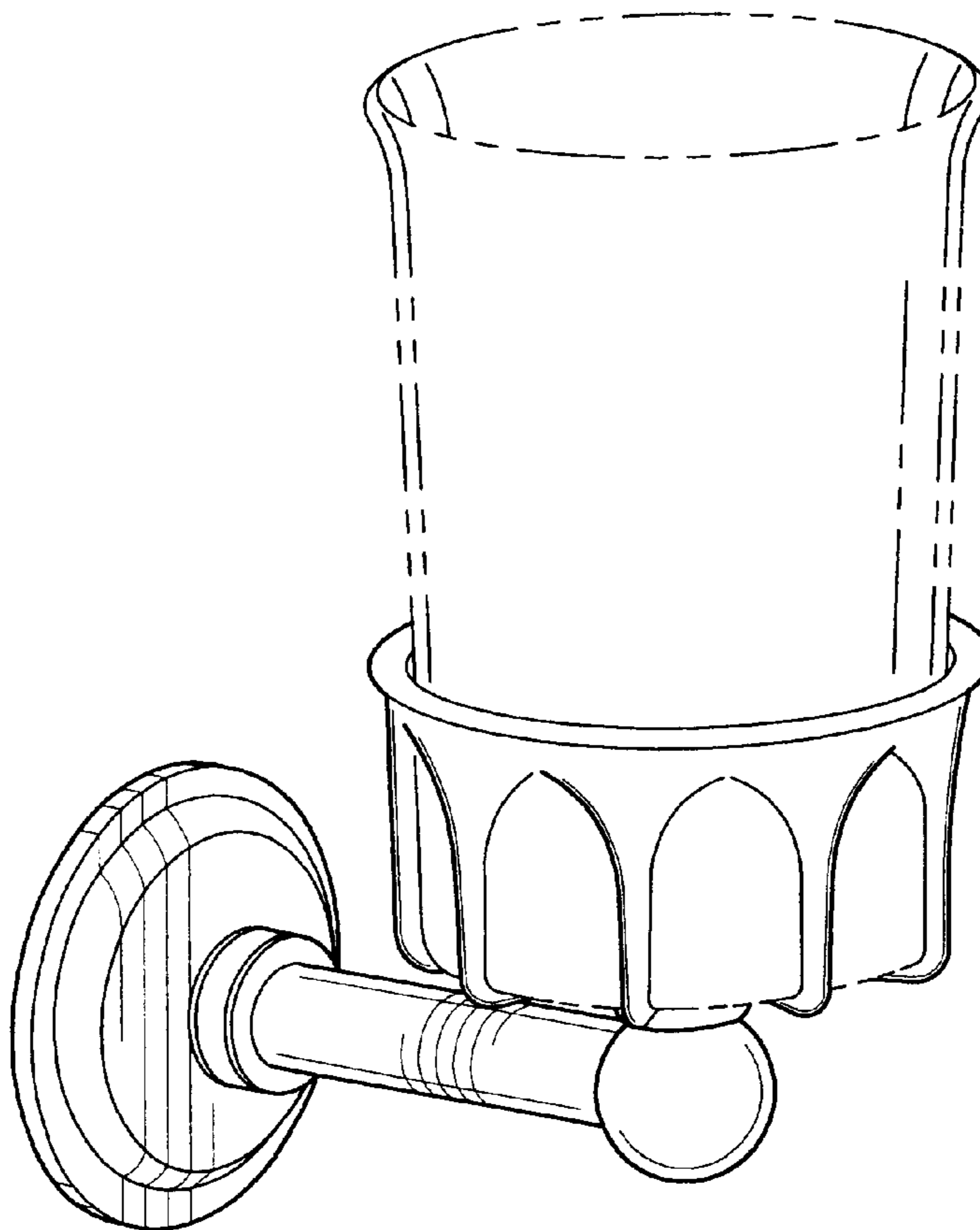
(57) **CLAIM**

The ornamental design for a tumbler holder, as shown and described.

DESCRIPTION

FIG. 1 is a perspective view of a tumbler holder showing my new design;
 FIG. 2 is a front elevational view thereof;
 FIG. 3 is a right side view thereof, the opposite side being a mirror image of the side shown;
 FIG. 4 is a top plan view thereof; and,
 FIG. 5 is a bottom plan view thereof.
 The broken-line showing of a tumbler in the views is for illustrative purposes only and forms no part of the claimed design.

1 Claim, 2 Drawing Sheets



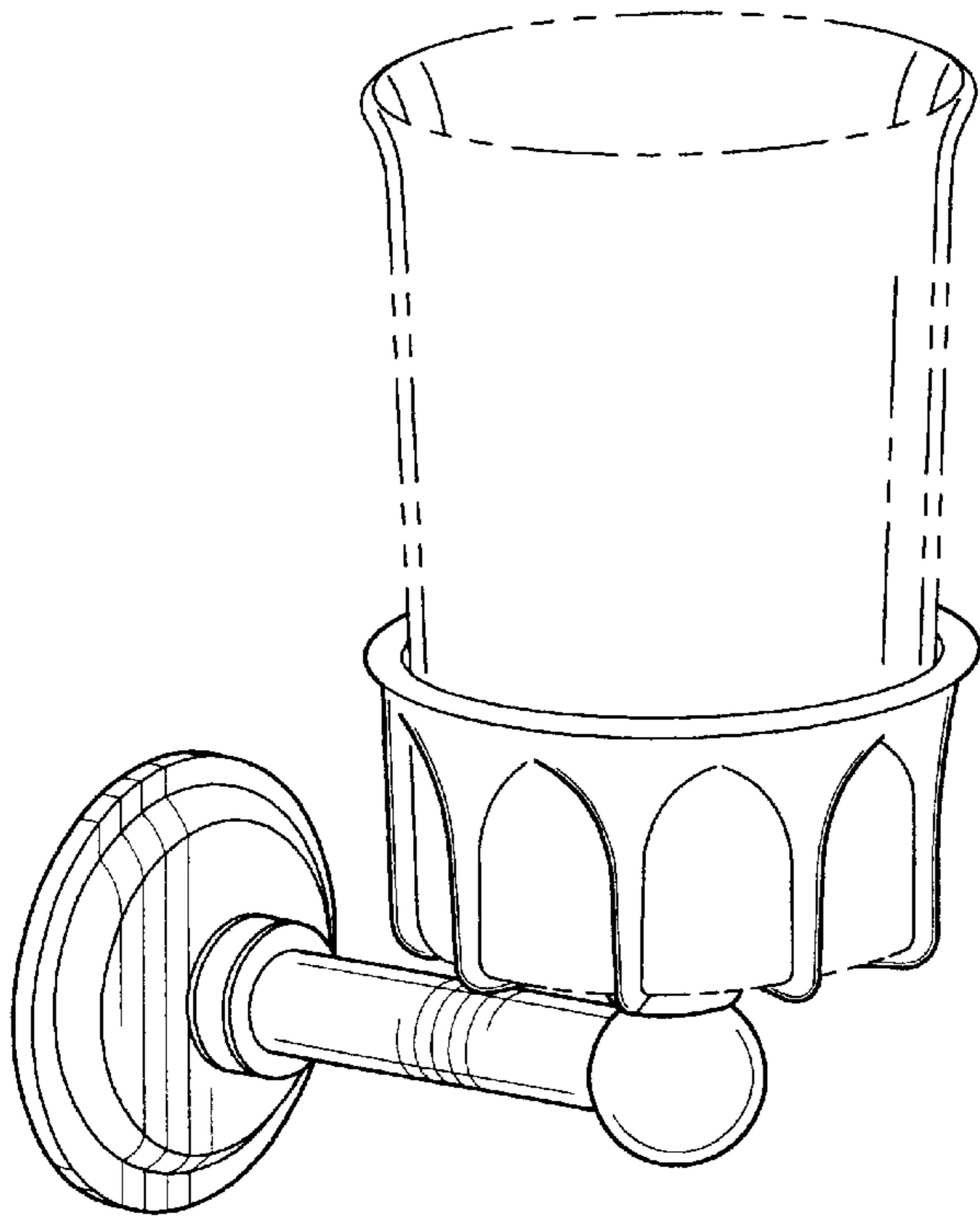


Fig-1

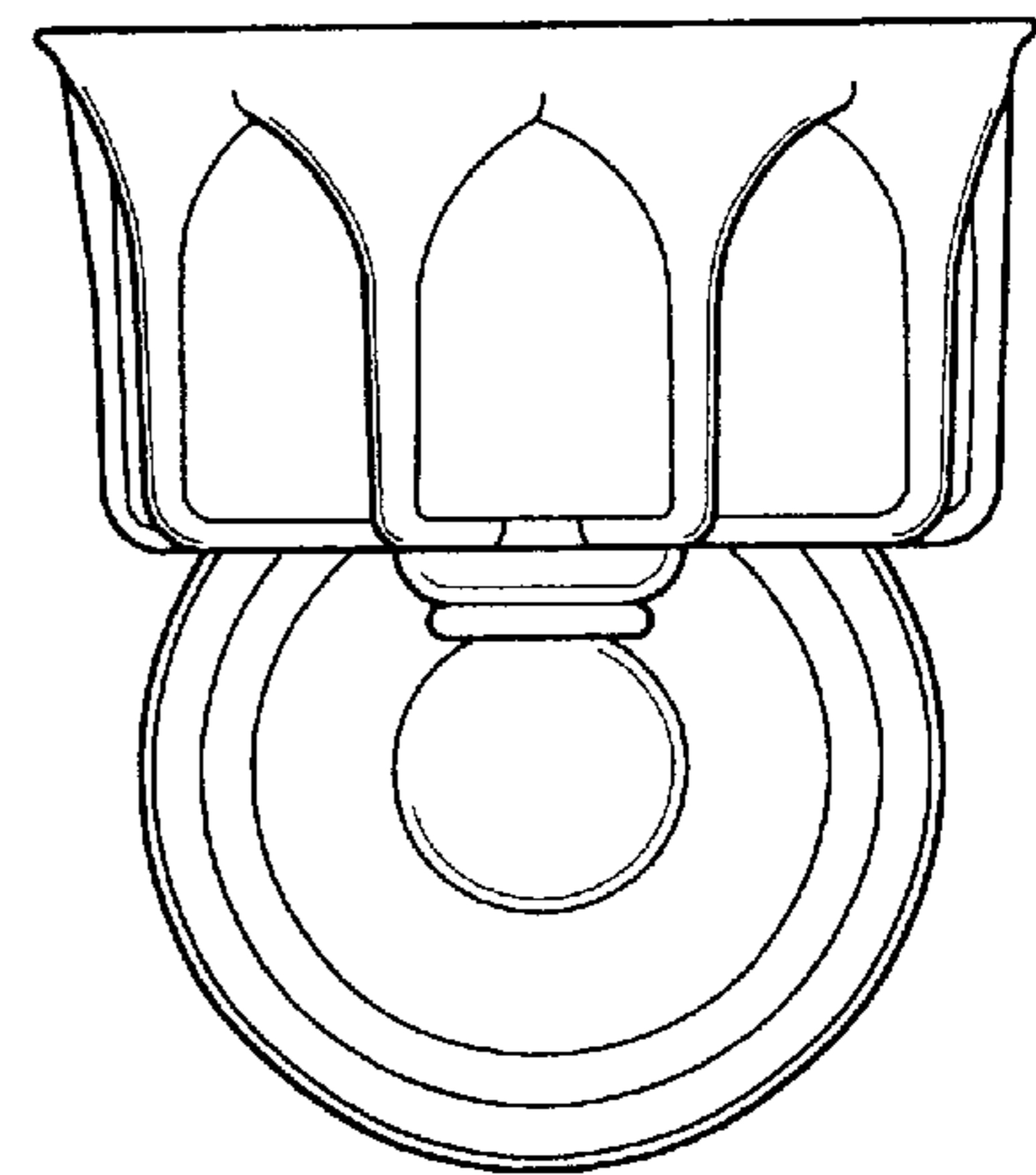


Fig-2

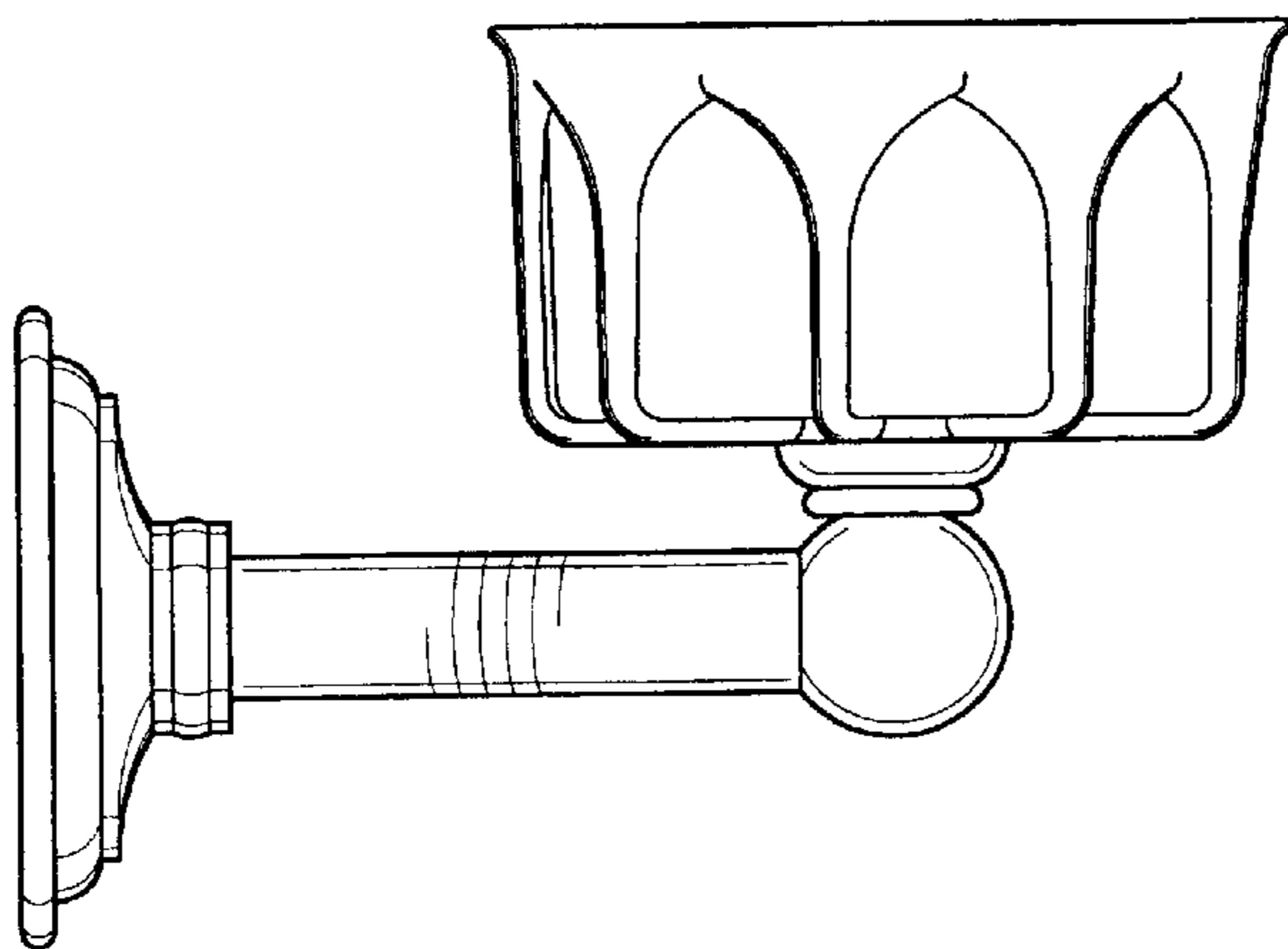


Fig-3

Fig-4

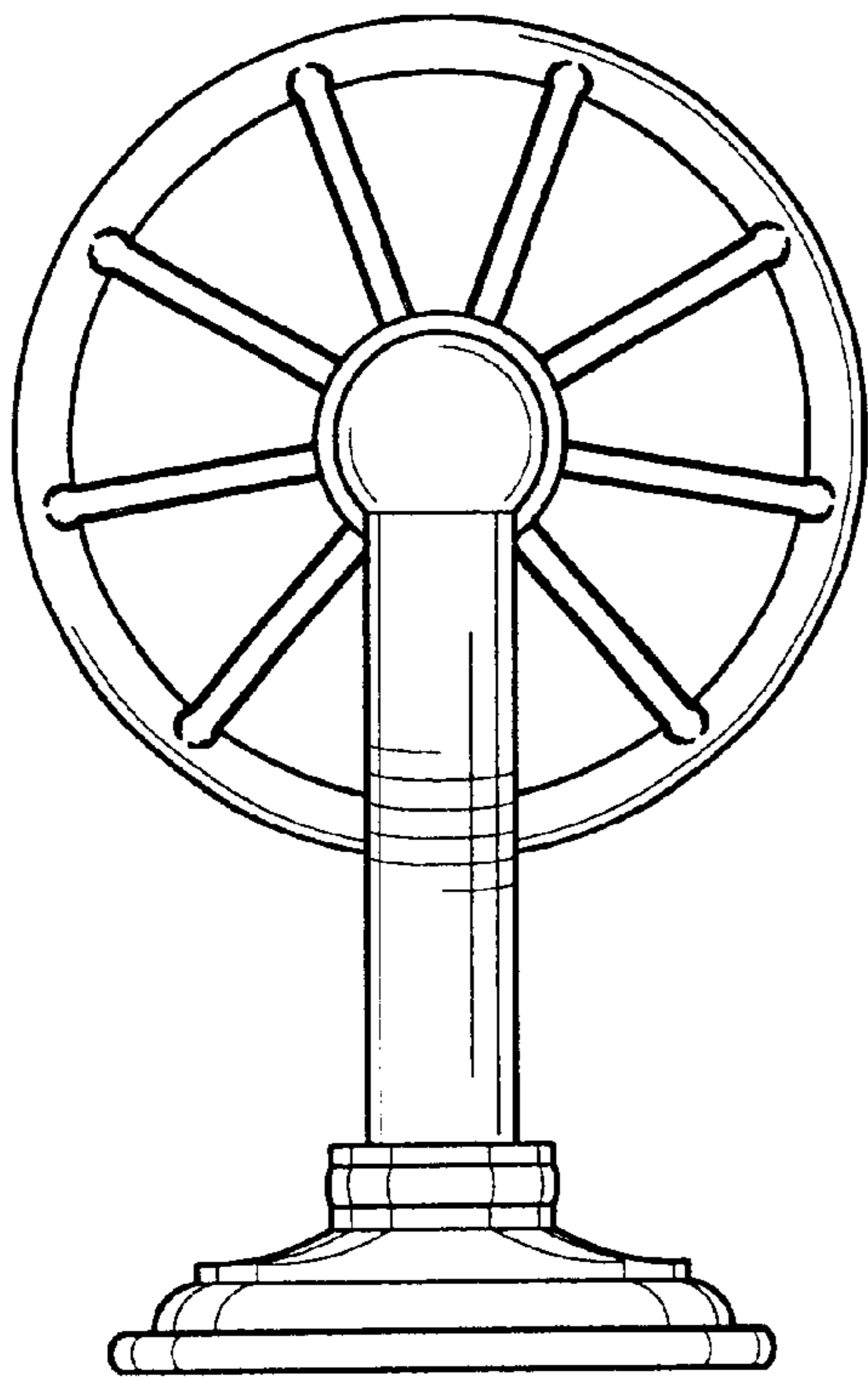
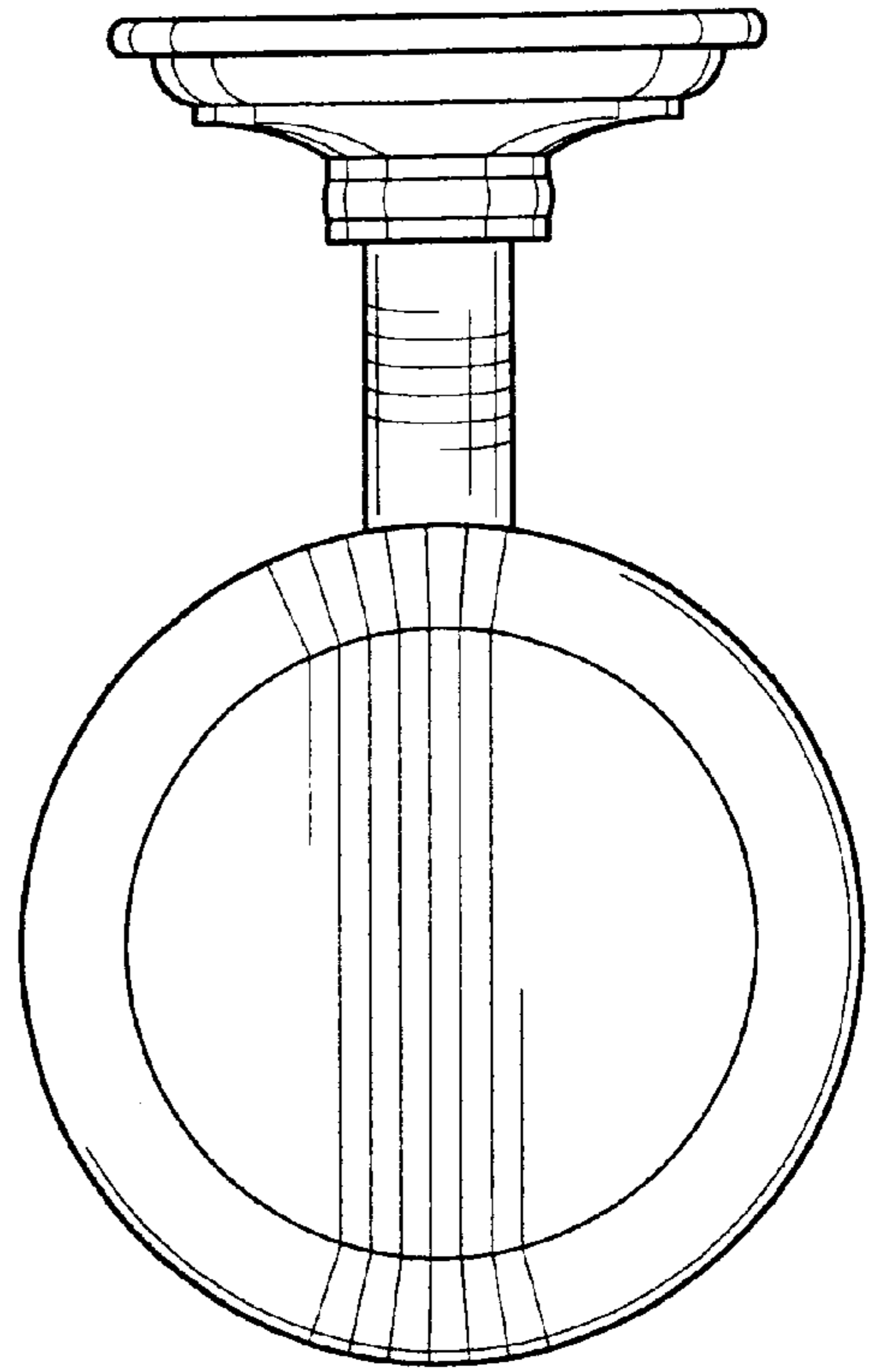


Fig-5